



US00D894291S

(12) **United States Design Patent** (10) **Patent No.:** **US D894,291 S**
Poulus et al. (45) **Date of Patent:** **** Aug. 25, 2020**

- (54) **PUZZLE DEVICE**
- (71) Applicant: **Moose Creative Management Pty Limited**, Cheltenham (AU)
- (72) Inventors: **Joost Sebastiaan Poulus**, Elsternwick (AU); **Nicholas St Clair Max Heine**, St Kilda West (AU); **James Adam Skaates**, San Francisco, CA (US); **Vlasta Komorous-King**, Berkeley, CA (US); **Steven Moore**, San Francisco, CA (US); **Nikolay Vladimirov**, San Francisco, CA (US)
- (73) Assignee: **Moose Creative Management Pty Limited**, Cheltenham, Victoria (AU)
- (**) Term: **15 Years**
- (21) Appl. No.: **29/616,519**
- (22) Filed: **Sep. 6, 2017**
- (51) **LOC (12) Cl.** **21-01**
- (52) **U.S. Cl.**
USPC **D21/478**
- (58) **Field of Classification Search**
USPC D21/478, 479, 480; D19/159; D14/480.1; 273/153 R, 156, 157 R
CPC A63F 9/06; A63F 13/426; A63F 9/10
See application file for complete search history.

(56) **References Cited**

U.S. PATENT DOCUMENTS

- D407,447 S * 3/1999 Tam D21/478
D412,541 S * 8/1999 Tam D21/478
D475,094 S * 5/2003 Ko D21/478
D495,378 S * 8/2004 Sugden D21/478

- D602,939 S * 10/2009 Andre D14/480.1
7,731,192 B1 * 6/2010 Marhefka A63F 9/06
273/156
D729,323 S * 5/2015 Kinlay D21/478
D838,776 S * 1/2019 Katav D19/113
2007/0170648 A1 * 7/2007 Rom A63F 9/06
2007/0262522 A1 * 11/2007 Lu A63F 9/0842
2019/0070492 A1 * 3/2019 Poulus A63F 13/214

OTHER PUBLICATIONS

“Music Magic Tetris Stackable Puzzle Toy ”, posted date not available[online], [retrieved Jul. 1, 2019]. Retrieved from internet, <http://www.feelgift.com/strip-darts>.*

* cited by examiner

Primary Examiner — Sandra S Snapp

Assistant Examiner — Mehri F Bajoul

(74) *Attorney, Agent, or Firm* — Knobbe Martens Olson & Bear, LLP

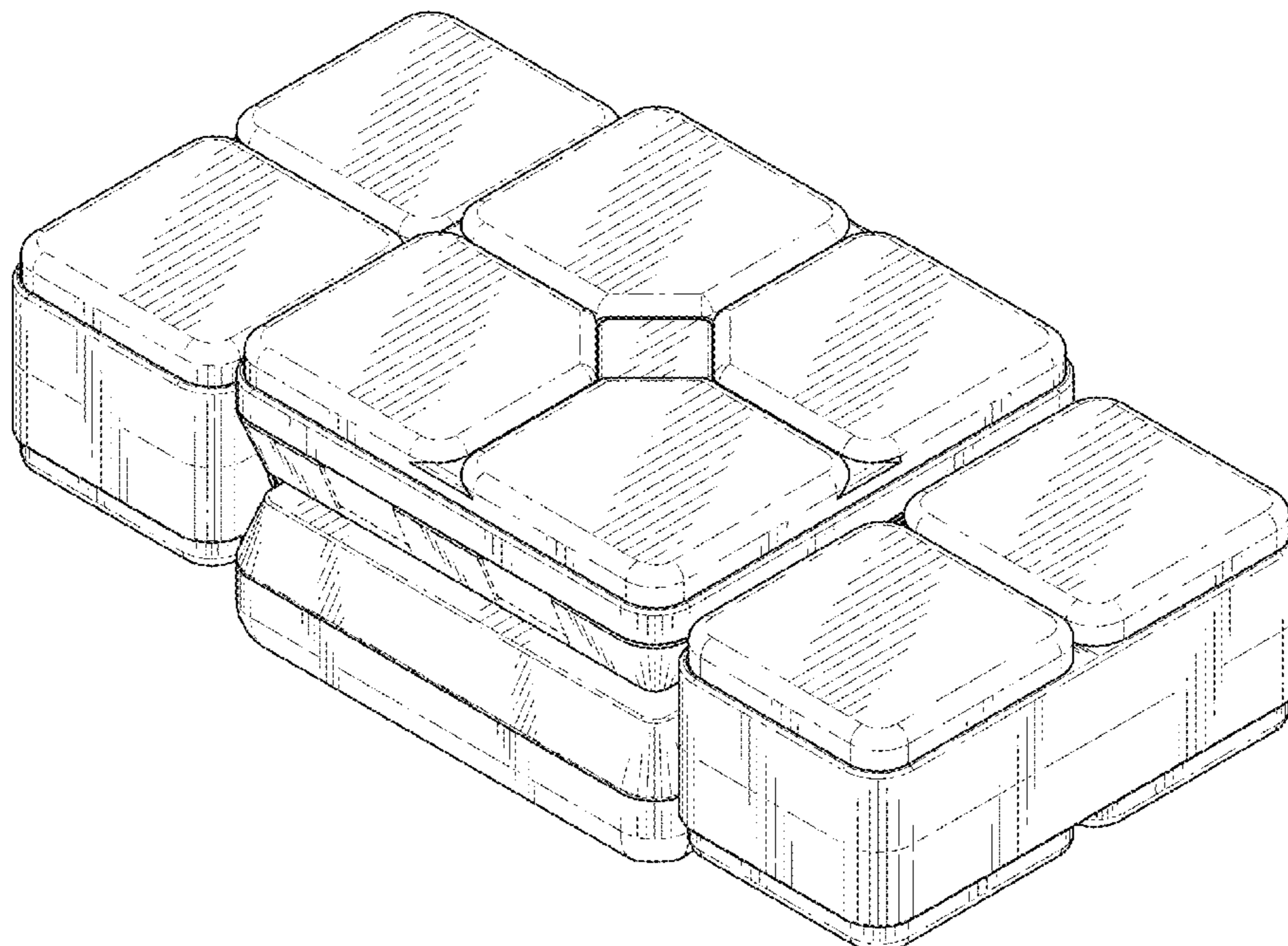
(57) **CLAIM**

The ornamental design for a puzzle device, as shown and described.

DESCRIPTION

FIG. 1 is a top perspective view of a puzzle device incorporating the design of the present invention.
FIG. 2 is a bottom perspective view thereof.
FIG. 3 is a top view thereof.
FIG. 4 is a bottom view thereof.
FIG. 5 is a front side view thereof.
FIG. 6 is a rear side view thereof.
FIG. 7 is a left side view thereof; and,
FIG. 8 is a right side view thereof.
The broken lines show portions of the puzzle device that form no part of the claimed design.

1 Claim, 5 Drawing Sheets



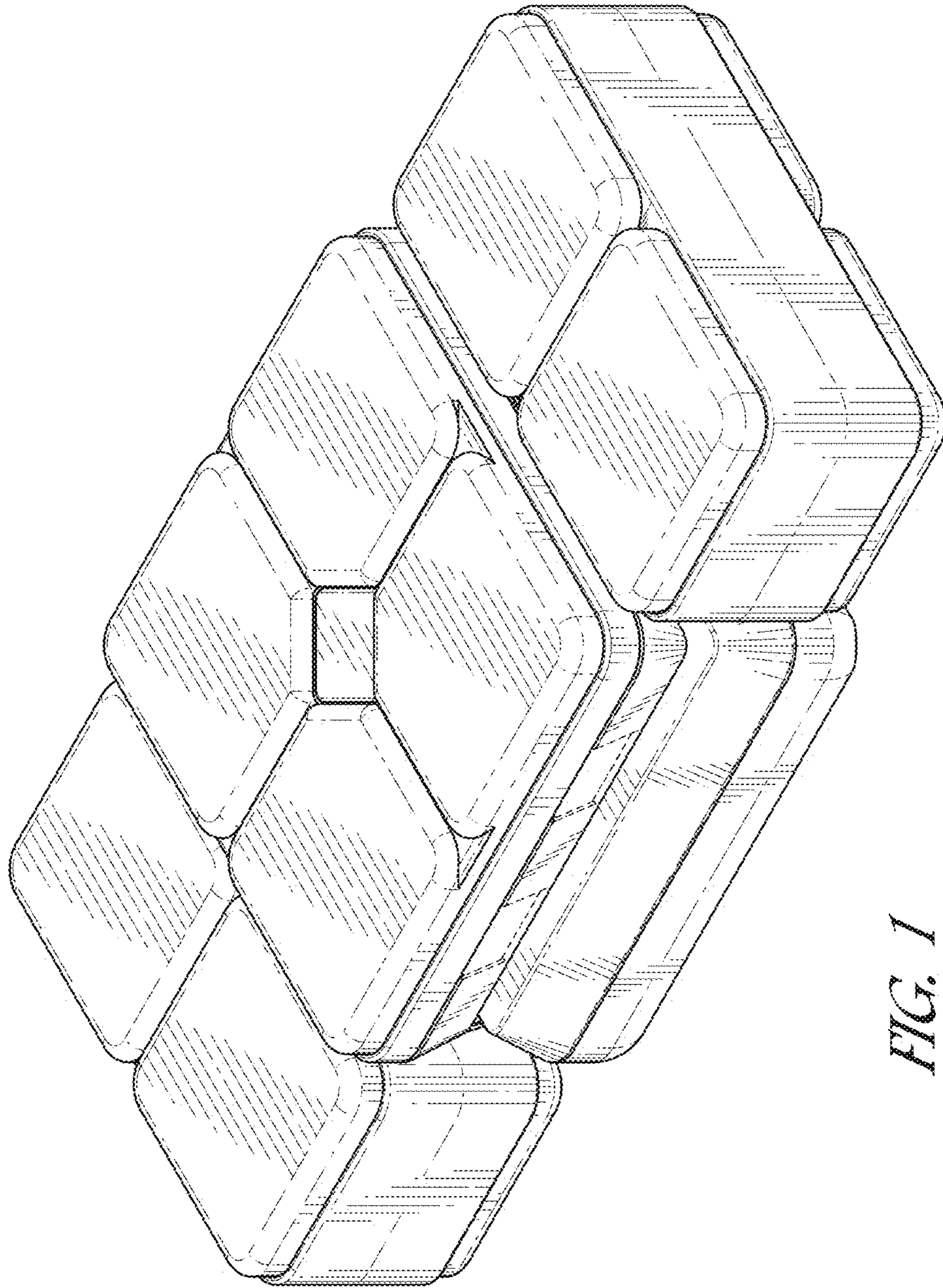


FIG. 1

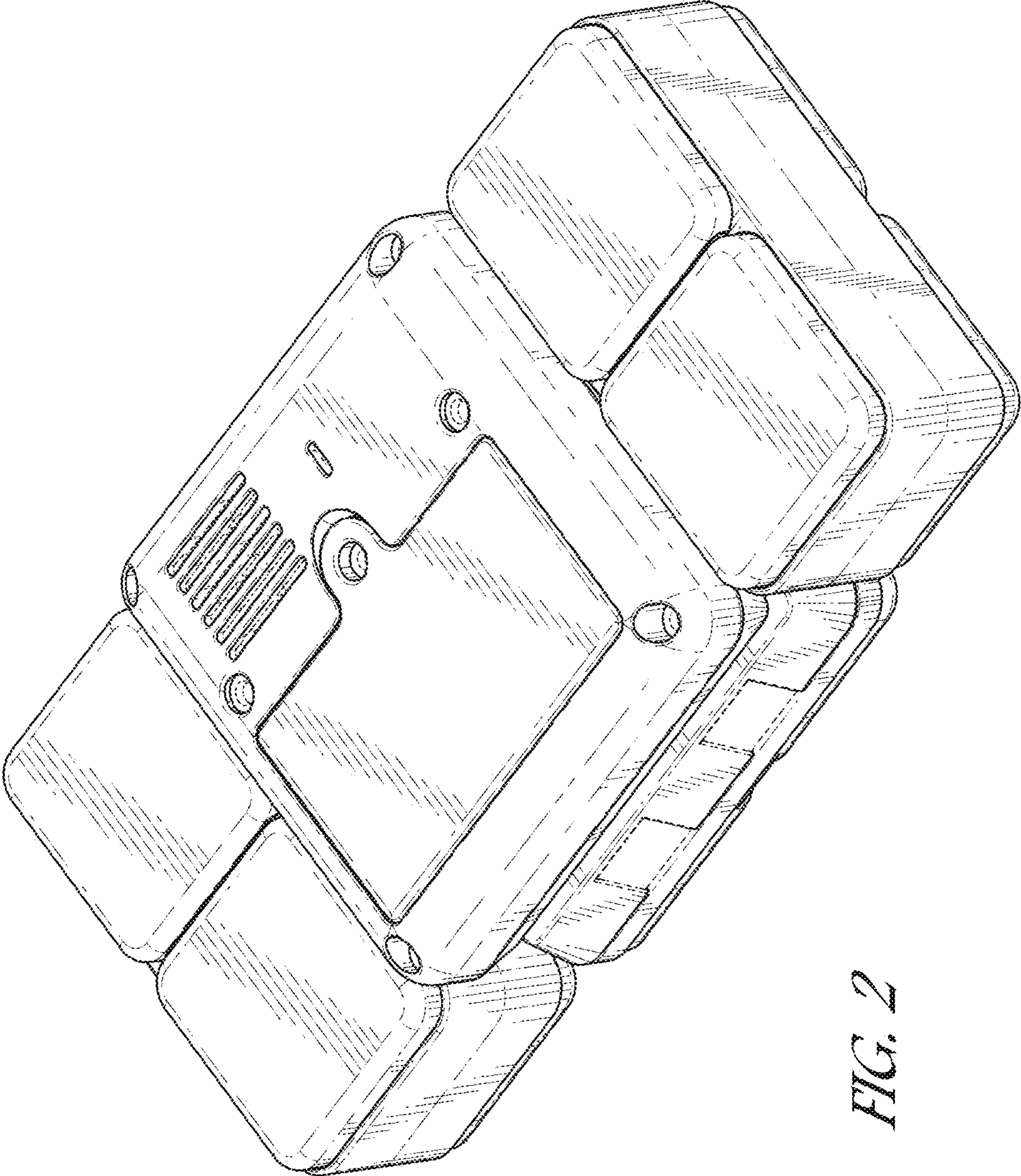


FIG. 2

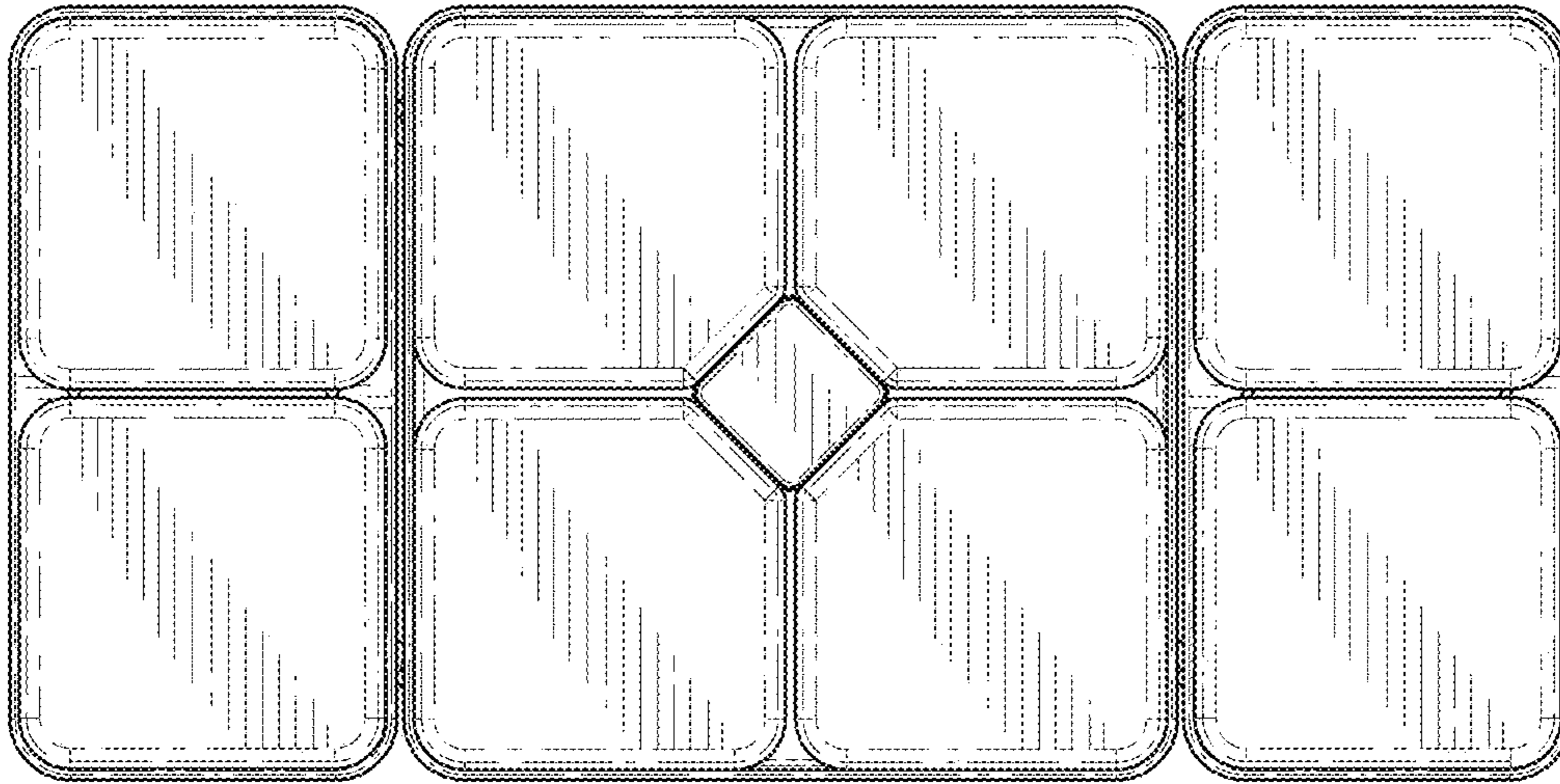


FIG. 3

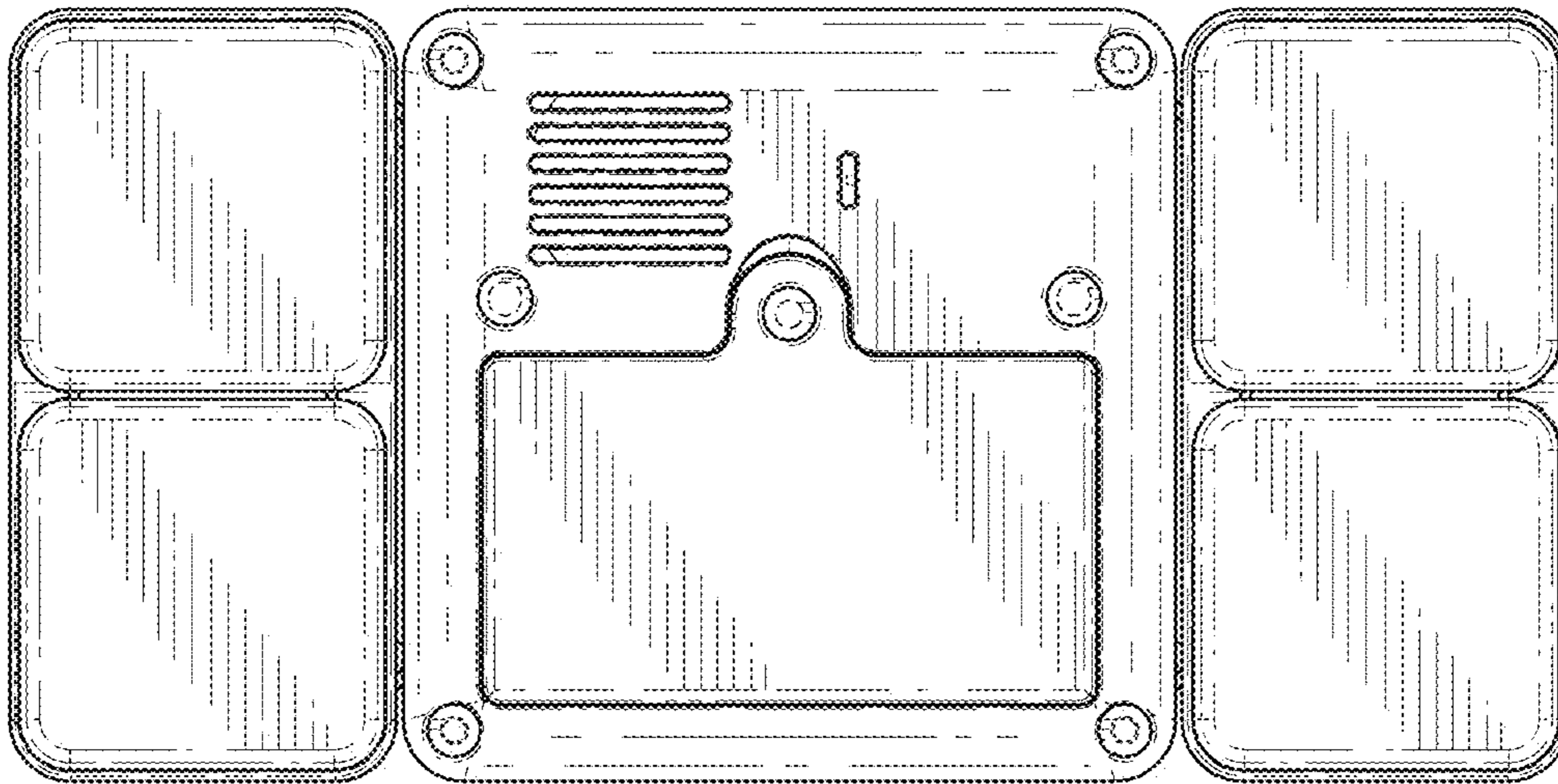


FIG. 4

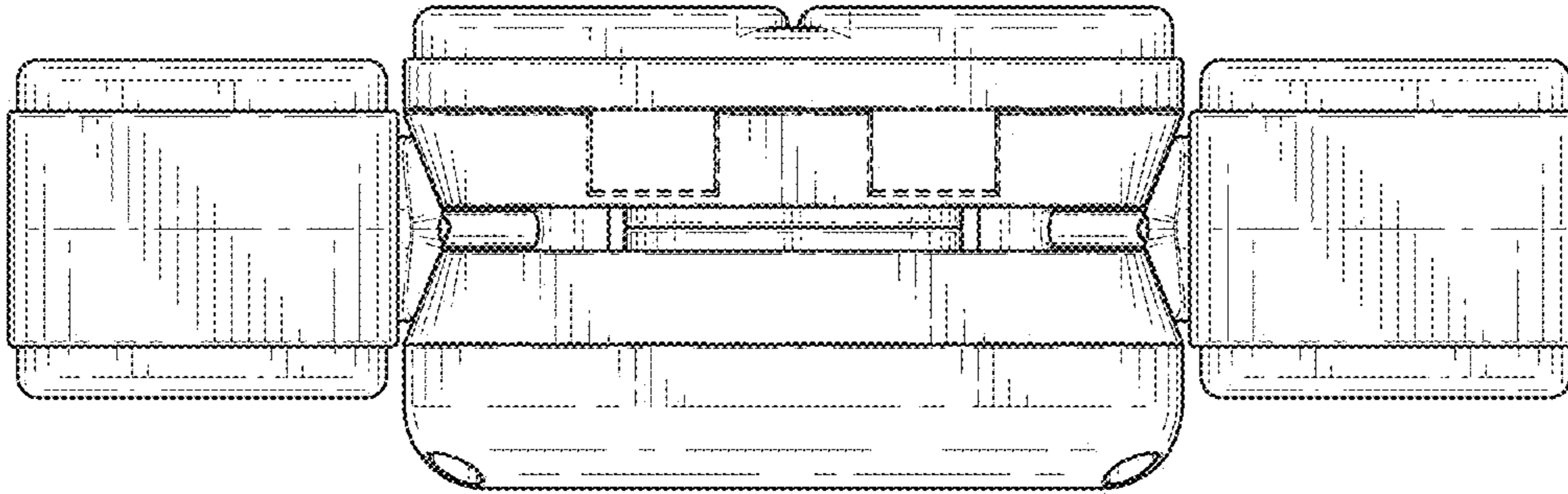


FIG. 5

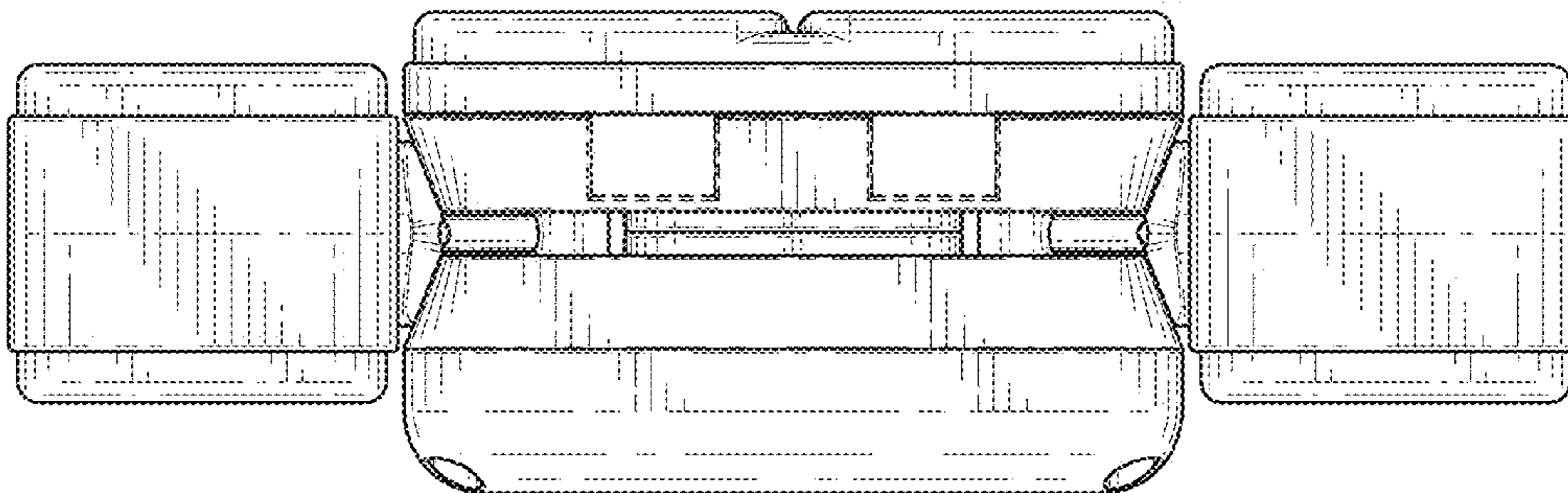


FIG. 6

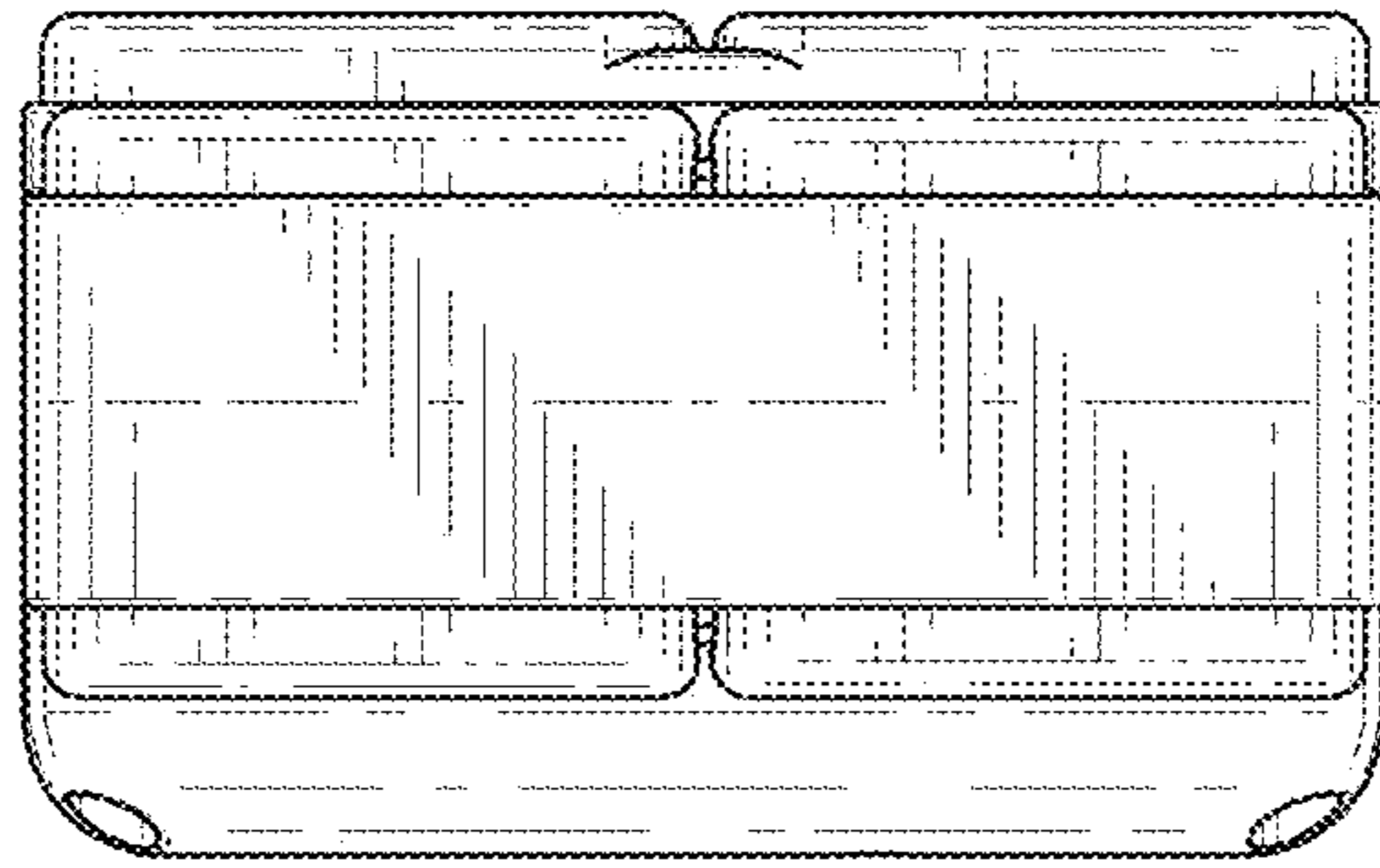


FIG. 7

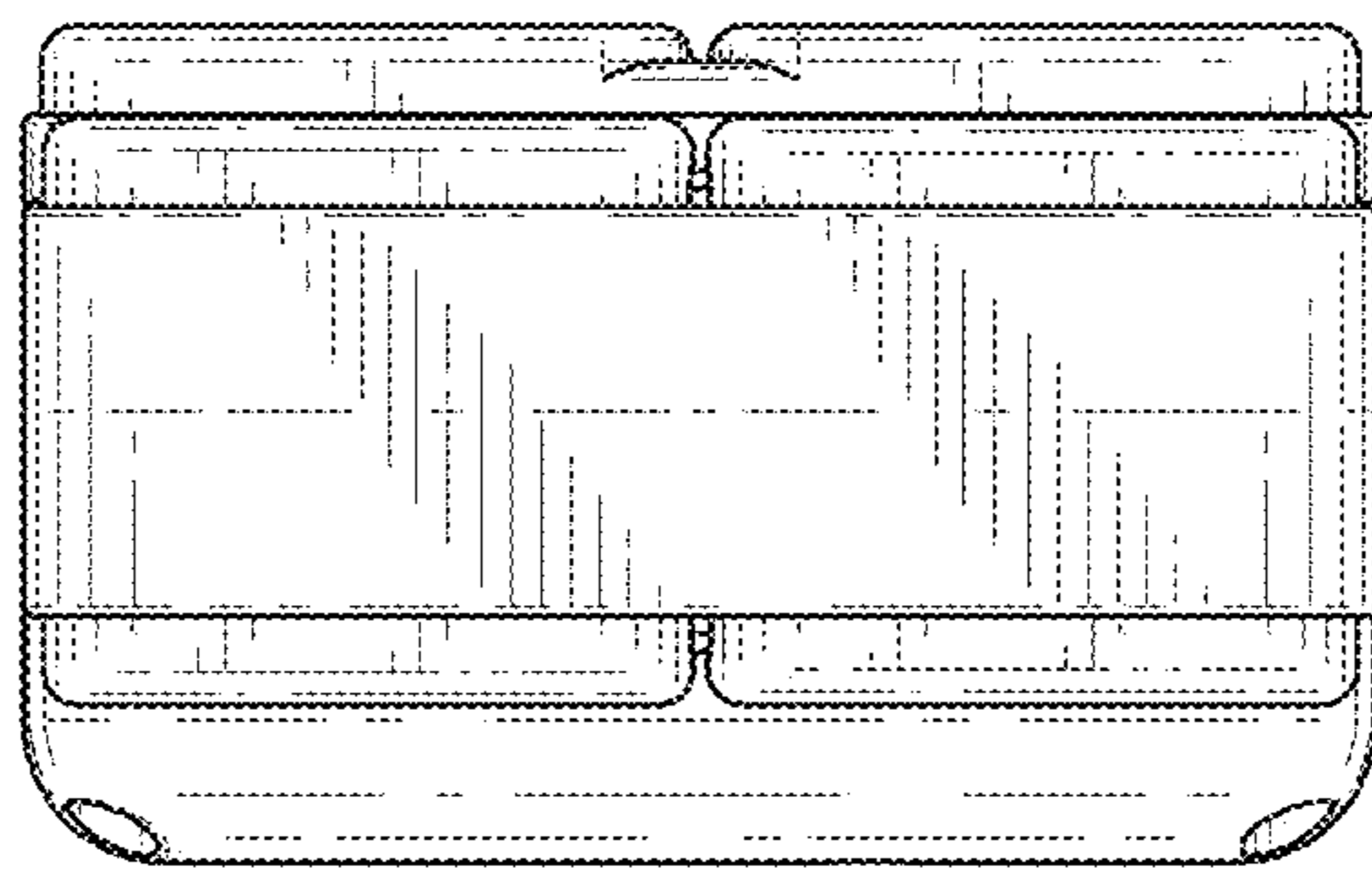


FIG. 8