

US00D894289S

(12) **United States Design Patent**
Henkin et al.

(10) **Patent No.:** **US D894,289 S**

(45) **Date of Patent:** **** Aug. 25, 2020**

(54) **MAGNETIC TOY**

4,077,153 A * 3/1978 Dunbar A63H 33/04
434/403

(71) Applicant: **GYMWORLD INC.**, Seoul (KR)

4,925,338 A 5/1990 Kapusta
D313,436 S 1/1991 Erickson

(72) Inventors: **Roger Henry Henkin**, West
Bloomfield, MI (US); **Sho Ubukata**,
Nagoya (JP)

(Continued)

(**) Term: **15 Years**

FOREIGN PATENT DOCUMENTS

(21) Appl. No.: **29/634,942**

CA 2923882 A1 3/2015
DE 3910304 A1 10/1990

(Continued)

(22) Filed: **Jan. 25, 2018**

OTHER PUBLICATIONS

Related U.S. Application Data

Final Office Action dated Feb. 22, 2018 by the U.S. Patent and
Trademark Office for U.S. Appl. No. 29/581,576, filed Oct. 20, 2016
(Inventor—Henkin et al.; Applicant—Gymworld, Inc.) (6 pages).

(Continued)

(62) Division of application No. 29/581,567, filed on Oct.
20, 2016, now Pat. No. Des. 813,955, which is a
division of application No. 29/503,986, filed on Oct.
1, 2014, now Pat. No. Des. 771,752.

Primary Examiner — Catherine A Tuttle

(74) *Attorney, Agent, or Firm* — Ballard Spahr LLP

(51) **LOC (12) Cl.** **21-01**

(57) **CLAIM**

(52) **U.S. Cl.**

The ornamental design for a magnetic toy, as shown and
described.

USPC **D21/404**

(58) **Field of Classification Search**

DESCRIPTION

USPC D21/311–323, 398, 404, 478, 484–505;
D9/418; D6/314; D13/183; 446/92,
446/129–139

FIG. 1 is a front perspective view of a magnetic toy showing
our new design;
FIG. 2 is a front view of the magnetic toy shown in FIG. 1;
FIG. 3 is a rear view thereof;
FIG. 4 is a top view thereof;
FIG. 5 is a bottom view thereof;
FIG. 6 is a right side view thereof;
FIG. 7 is a left side view thereof; and,
FIG. 8 is a cross sectional view taken along line 8-8 of FIG.
2.

CPC A63H 33/04; A63H 33/046; A63F
2009/1033

See application file for complete search history.

The broken lines are included for the purpose of illustrating
the portions of the magnetic toy that form no part of the
claimed design.

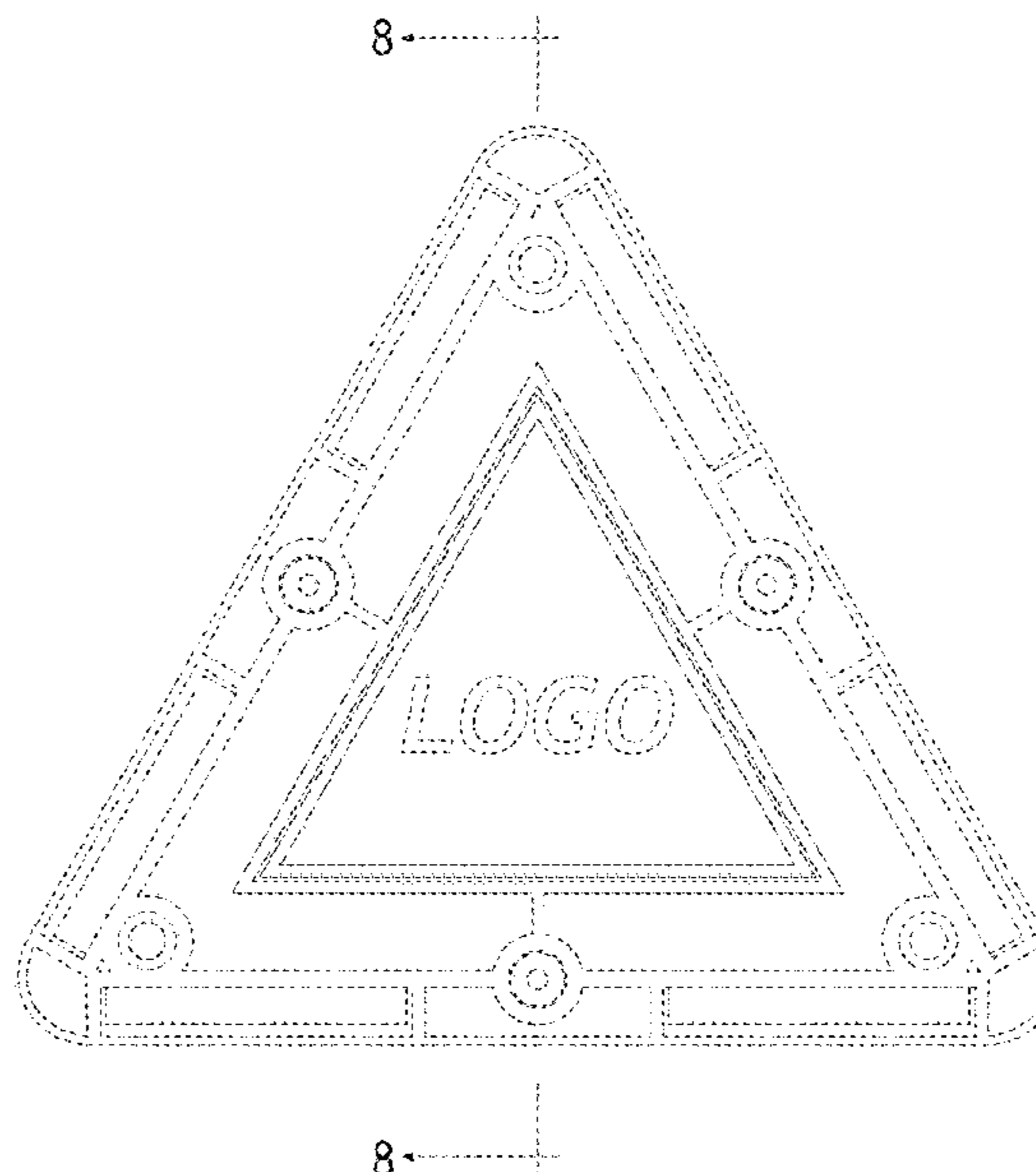
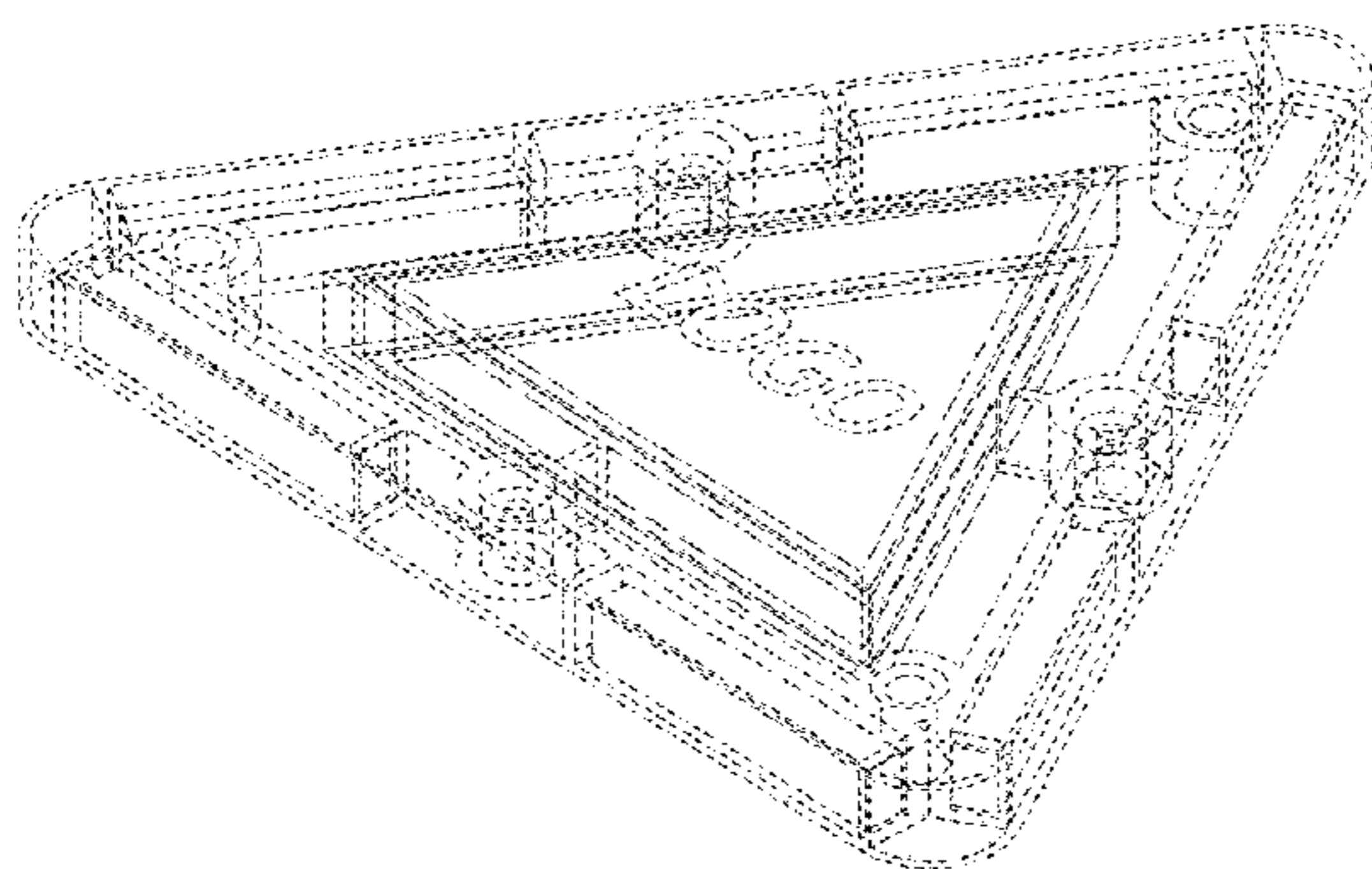
(56) **References Cited**

U.S. PATENT DOCUMENTS

1 Claim, 4 Drawing Sheets

1,403,196 A * 1/1922 Rasely A63H 33/04
446/85

D141,391 S 5/1945 Wilson
3,585,735 A 6/1971 Miller
D226,120 S 1/1973 Ogsbury et al.
3,998,004 A 12/1976 Ehrlich



(56)

References Cited

U.S. PATENT DOCUMENTS

4,984,798	A *	1/1991	Silberstein	A63F 9/1044 206/315.1
5,021,021	A	6/1991	Ballard	
5,183,430	A	2/1993	Swann	
5,458,522	A *	10/1995	Brooks, III	A63H 33/048 446/85
5,620,325	A	4/1997	Glick	
D384,995	S	10/1997	Munir	
6,431,936	B1	8/2002	Kiribuchi	
D503,954	S	4/2005	Balanchi	
D513,628	S	1/2006	Andersen	
7,154,363	B2	12/2006	Hunts	
D614,250	S	4/2010	Frederiksen	
D631,104	S	1/2011	With	
D632,346	S	2/2011	Hardstaff	
D693,320	S	11/2013	Zelazowski	
8,668,542	B2	3/2014	Bruzgul	
9,314,707	B2	4/2016	Ornstein et al.	
D771,752	S	11/2016	Henkin et al.	
D813,955	S *	3/2018	Henkin	D21/404
D829,825	S *	10/2018	Henkin	D21/404
2006/0240737	A1	2/2006	Rabbani et al.	
2010/0197148	A1	8/2010	Rudisill et al.	
2013/0267145	A1	10/2013	Rosen et al.	
2014/0179194	A1	6/2014	Fein et al.	
2014/0227934	A1	8/2014	Rudisill	
2014/0302741	A1	10/2014	Whittaker	
2015/0072587	A1	3/2015	Ornstein et al.	
2015/0104993	A1	4/2015	Kennedy	
2015/0231521	A1	8/2015	Peterson	
2016/0184727	A1	6/2016	Ornstein et al.	
2017/0065899	A1	3/2017	Moskowitz	

FOREIGN PATENT DOCUMENTS

DE	9311089	U1 *	9/1993
EP	2055363	A1	5/2009
EP	2745899	A1	6/2014
JP	2002-159761	A	6/2002
JP	2003-190663	A	7/2003

OTHER PUBLICATIONS

Response to Final Office Action and Terminal Disclaimer filed on Apr. 23, 2018 with the U.S. Patent and Trademark Office for U.S. Appl. No. 29/581,576, filed Oct. 20, 2016 (Inventor—Henkin et al.; Applicant—Gymworld, Inc.) (7 pages).
 Terminal Disclaimer Approval dated Apr. 23, 2018 by the U.S. Patent and Trademark Office for U.S. Appl. No. 29/581,576, filed Oct. 20, 2016 (Inventor—Henkin et al.; Applicant—Gymworld, Inc.) (1 page).
 Notice of Allowance dated May 18, 2018 by the U.S. Patent and Trademark Office for U.S. Appl. No. 29/581,576, filed Oct. 20, 2016 (Inventor—Henkin et al.; Applicant—Gymworld, Inc.) (7 pages).
 Issue Notification dated Mar. 7, 2018 by the U.S. Patent and Trademark Office for U.S. Appl. No. 29/581,567, filed Oct. 20, 2016 (Inventor—Henkin et al.; Applicant—Gymworld, Inc.) (1 page).
 Response to Amendment Under Rule 312 dated Mar. 1, 2018 by the U.S. Patent and Trademark Office for U.S. Appl. No. 29/581,583, filed Oct. 20, 2016 (Inventor—Henkin et al.; Applicant—Gymworld, Inc.) (4 pages).
 Supplemental Amendment After Allowance filed on Mar. 29, 2018 by the U.S. Patent and Trademark Office for U.S. Appl. No. 29/581,583, filed Oct. 20, 2016 (Inventor—Henkin et al.; Applicant—Gymworld, Inc.) (7 pages).
 “Metro Mags Clear Colors 60 Piece Set,” published prior to Oct. 1, 2014 (exact publication date unknown). Amazon.com, Inc. [Retrieved on Oct. 2, 2017]. Retrieved from the Internet: <URL: https://www.amazon.com/Metro-Mags-Clear-Colors-Piece/dp/B00A29T6F4/ref=pd_rhf_s> (6 pages).

Restriction Requirement dated Jan. 15, 2016 by the U.S. Patent and Trademark Office for Design U.S. Appl. No. 29/503,986, filed Oct. 1, 2014 and issued as D771,752 on Nov. 15, 2016 (Inventor—Henkin et al.; Applicant—RUX International Co., Ltd.) (5 pages).
 Response to Restriction Requirement and Request for continued Examination filed on Jun. 15, 2016 with the U.S. Patent and Trademark Office for Design U.S. Appl. No. 29/503,986, filed Oct. 1, 2014 and issued as D771,752 on Nov. 15, 2016 (Inventor—Henkin et al.; Applicant—RUX International Co., Ltd.) (6 pages).
 Notice of Allowance dated Jul. 8, 2016 by the U.S. Patent and Trademark Office for Design U.S. Appl. No. 29/503,986, filed Oct. 1, 2014 and issued as D771,752 on Nov. 15, 2016 (Inventor—Henkin et al.; Applicant—RUX International Co., Ltd.) (8 pages).
 Issue Notification dated Oct. 26, 2016 by the U.S. Patent and Trademark Office for Design U.S. Appl. No. 29/503,986, filed Oct. 1, 2014 and issued as D771,752 on Nov. 15, 2016 (Inventor—Henkin et al.; Applicant—RUX International Co., Ltd.) (1 page).
 Preliminary Amendment filed on Oct. 20, 2016 with the U.S. Patent and Trademark Office for Design U.S. Appl. No. 29/581,576, filed Oct. 20, 2016 (Inventor—Henkin et al.; Applicant—Gymworld, Inc.) (12 pages).
 Restriction Requirement was dated Mar. 17, 2017 by the U.S. Patent and Trademark Office for Design U.S. Appl. No. 29/581,576, filed Oct. 20, 2016 (Inventor—Henkin et al.; Applicant—Gymworld, Inc.) (5 pages).
 Response to Restriction Requirement filed on Jul. 17, 2017 with the U.S. Patent and Trademark Office for Design U.S. Appl. No. 29/581,576, filed Oct. 20, 2016 (Inventor—Henkin et al.; Applicant—Gymworld, Inc.) (7 pages).
 Non-Final Office Action dated Aug. 24, 2017 by the U.S. Patent and Trademark Office for U.S. Appl. No. 29/581,576, filed Oct. 20, 2017 (Inventor—Henkin et al.; Applicant—Gymworld, Inc.) (7 pages).
 Response to Non-Final Office Action dated Nov. 21, 2017 with the U.S. Patent and Trademark Office for U.S. Appl. No. 29/581,576, filed Oct. 20, 2017 (Inventor—Henkin et al.; Applicant—Gymworld, Inc.) (10 pages).
 Restriction Requirement was dated Mar. 16, 2017 by the U.S. Patent and Trademark Office for Design U.S. Appl. No. 29/581,567, filed Oct. 20, 2016 (Inventor—Henkin et al.; Applicant—Gymworld, Inc.) (5 pages).
 Response to Restriction Requirement filed on Jul. 17, 2017 with the U.S. Patent and Trademark Office for Design U.S. Appl. No. 29/581,567, filed Oct. 20, 2016 (Inventor—Henkin et al.; Applicant—Gymworld, Inc.) (7 pages).
 Notice of Allowance dated Oct. 12, 2017 by the U.S. Patent and Trademark Office for Design U.S. Appl. No. 29/581,567, filed Oct. 20, 2016 (Inventor—Henkin et al.; Applicant—Gymworld, Inc.) (19 pages).
 Corrected Notice of Allowability dated Oct. 26, 2017 by the U.S. Patent and Trademark Office for Design U.S. Appl. No. 29/581,567, filed Oct. 20, 2016 (Inventor—Henkin et al.; Applicant—Gymworld, Inc.) (15 pages).
 Supplemental Notice of Allowability dated Nov. 14, 2017 by the U.S. Patent and Trademark Office for Design U.S. Appl. No. 29/581,567, filed Oct. 20, 2016 (Inventor—Henkin et al.; Applicant—Gymworld, Inc.) (2 pages).
 Amendment After Allowance filed on Dec. 20, 2017 with the U.S. Patent and Trademark Office for Design U.S. Appl. No. 29/581,567, filed Oct. 20, 2016 (Inventor—Henkin et al.; Applicant—Gymworld, Inc.) (9 pages).
 Response to Amendment dated Jan. 9, 2018 by the U.S. Patent and Trademark Office for Design U.S. Appl. No. 29/581,567, filed Oct. 20, 2016 (Inventor—Henkin et al.; Applicant—Gymworld, Inc.) (2 pages).
 Preliminary Amendment filed on Oct. 20, 2016 with the U.S. Patent and Trademark Office for U.S. Appl. No. 29/581,583, filed Oct. 20, 2016 (Inventor—Henkin et al.; Applicant—Gyworld, Inc.) (12 pages).
 Restriction Requirement dated Mar. 17, 2017 by the U.S. Patent and Trademark Office for U.S. Appl. No. 29/581,583, filed Oct. 20, 2016 (Inventor—Henkin et al.; Applicant—Gymworld, Inc.) (5 pages).

(56)

References Cited

OTHER PUBLICATIONS

Response to Restriction Requirement filed on Jul. 17, 2017 with the U.S. Patent and Trademark Office for U.S. Appl. No. 29/581,583, filed Oct. 20, 2016 (Inventor—Henkin et al.; Applicant—Gymworld, Inc.) (7 pages).

Notice of Allowance dated Jul. 27, 2017 by the U.S. Patent and Trademark Office for U.S. Appl. No. 29/581,583, filed Oct. 20, 2016 (Inventor—Henkin et al.; Applicant—Gymworld, Inc.) (10 pages).

Notice of Allowance dated Oct. 26, 2017 by the U.S. Patent and Trademark Office for U.S. Appl. No. 29/581,583, filed Oct. 20, 2016 (Inventor—Henkin et al.; Applicant—Gymworld, Inc.) (5 pages).

Notice of Allowance dated Jan. 10, 2018 by the U.S. Patent and Trademark Office for U.S. Appl. No. 29/581,583, filed Oct. 20, 2016 (Inventor—Henkin et al.; Applicant—Gymworld, Inc.) (2 pages).

Amendment After Allowance filed on Jan. 26, 2018 with the U.S. Patent and Trademark Office for U.S. Appl. No. 29/581,583, filed Oct. 20, 2016 (Inventor—Henkin et al.; Applicant—Gymworld, Inc.) (9 pages).

Preliminary Amendment filed on Nov. 21, 2017 with the U.S. Patent and Trademark Office for U.S. Appl. No. 29/626,961, filed Nov. 21, 2017 (Inventor—Henkin et al.; Applicant—Gymworld, Inc.) (9 pages).

U.S. Appl. No. 29/503,986, filed Oct. 1, 2014, Henkin et al.

U.S. Appl. No. 29/581,576, filed Oct. 20, 2016, Henkin et al.

U.S. Appl. No. 29/581,567, filed Oct. 20, 2016, Henkin et al.

U.S. Appl. No. 29/581,583, filed Oct. 20, 2016, Henkin et al.

U.S. Appl. No. 29/626,961, filed Nov. 21, 2017, Henkin et al.

* cited by examiner

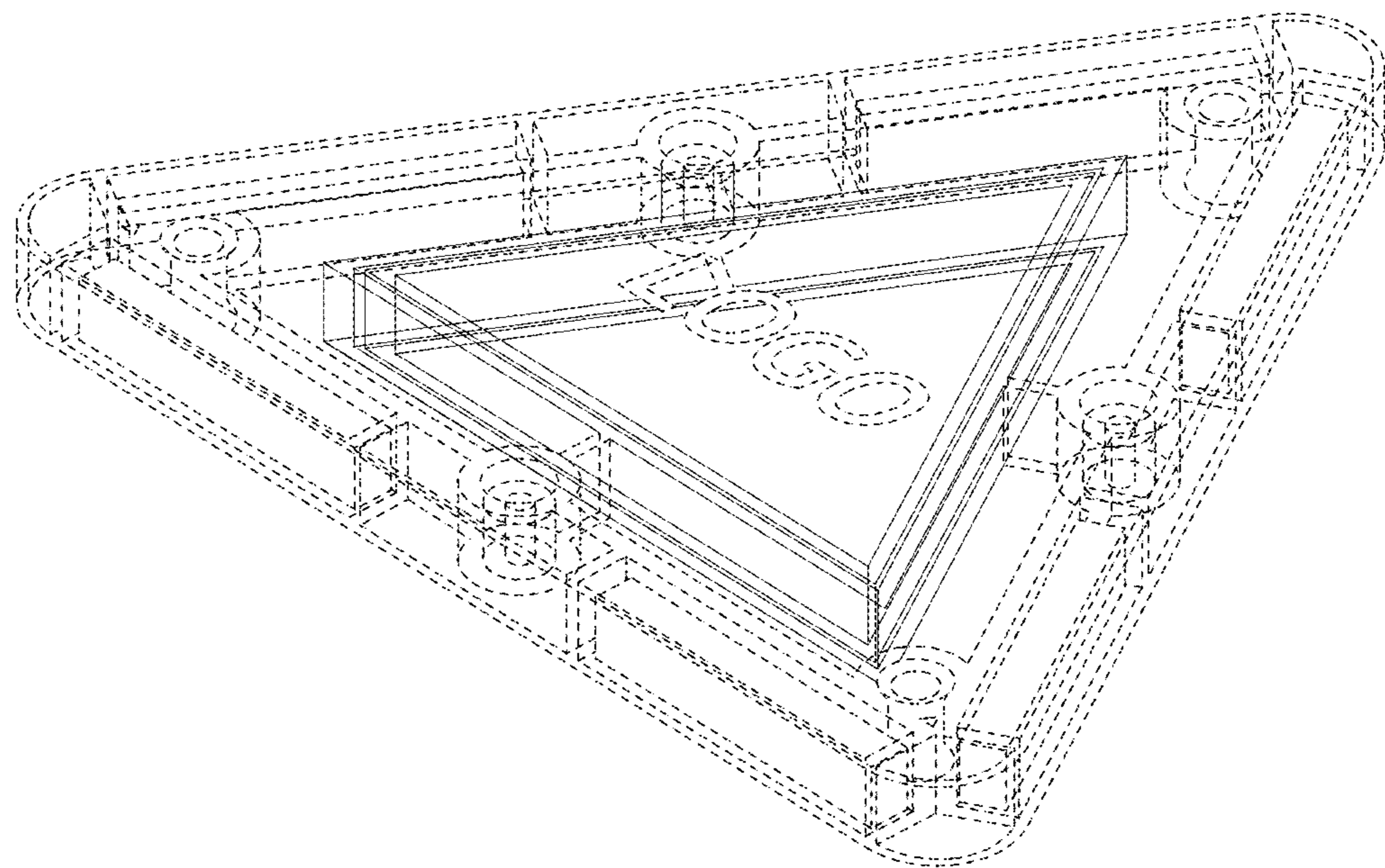


FIG. 1

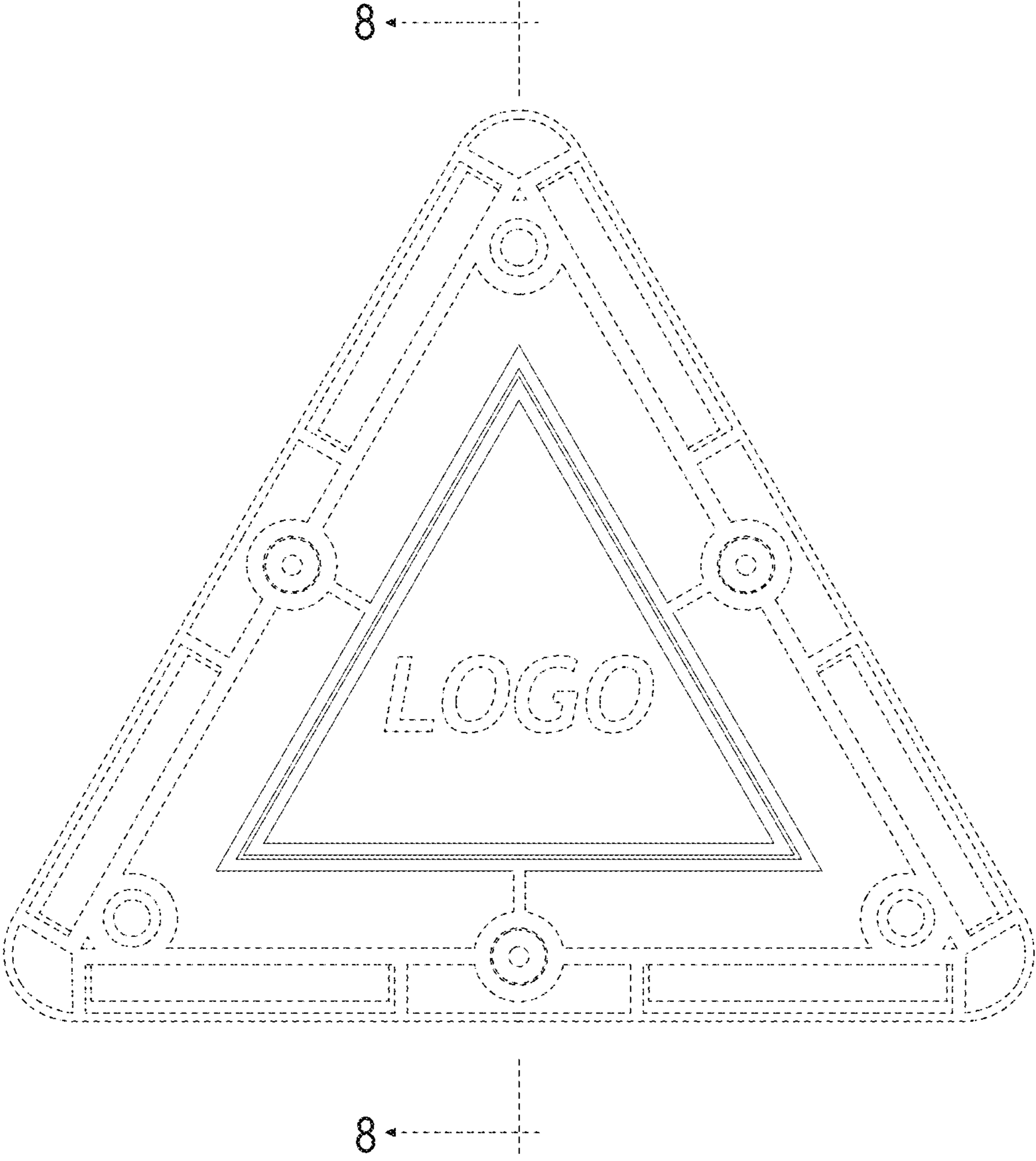


FIG. 2

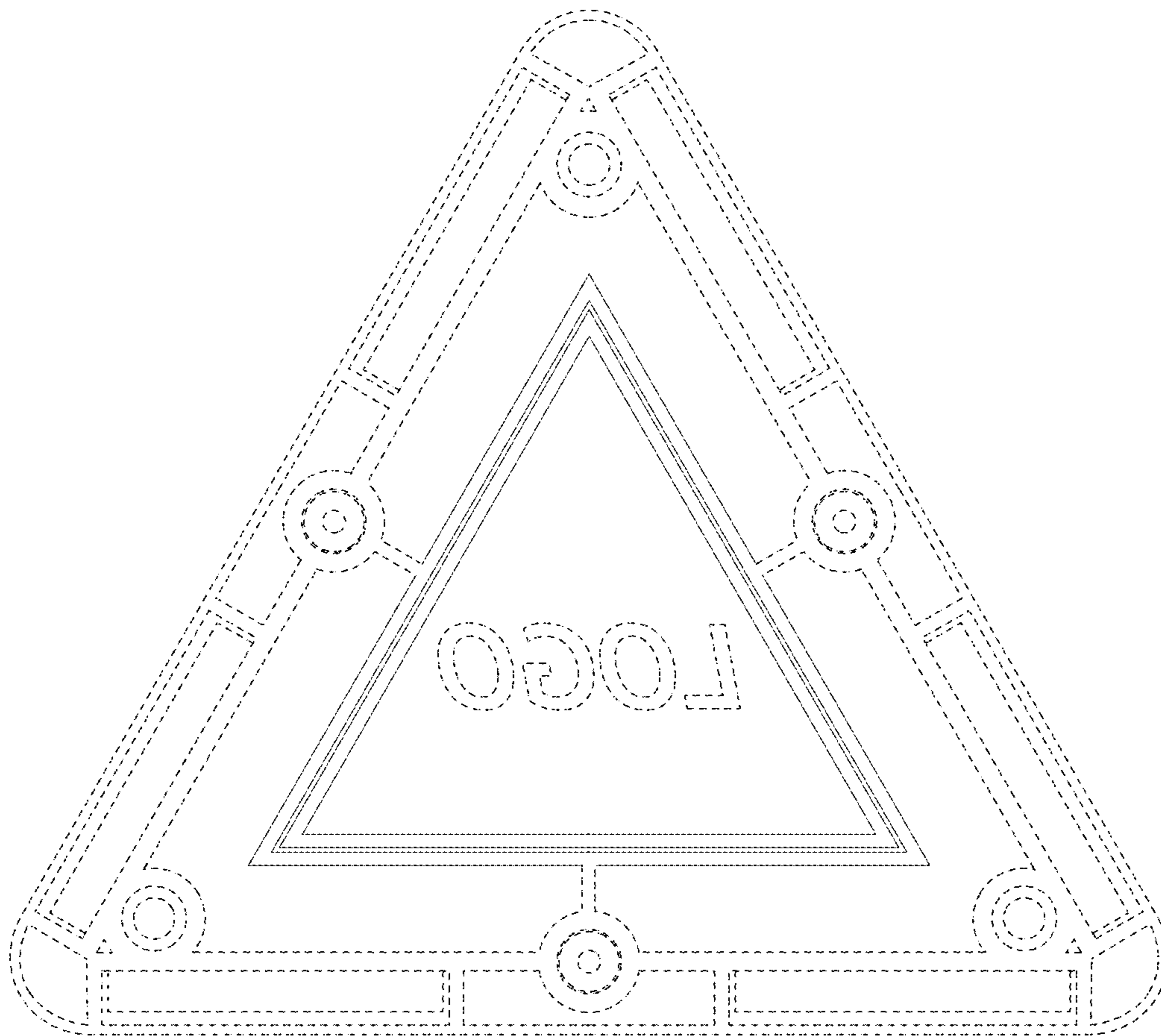


FIG. 3

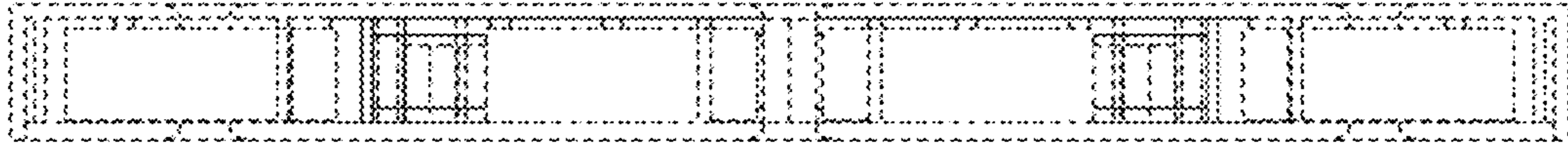


FIG. 4

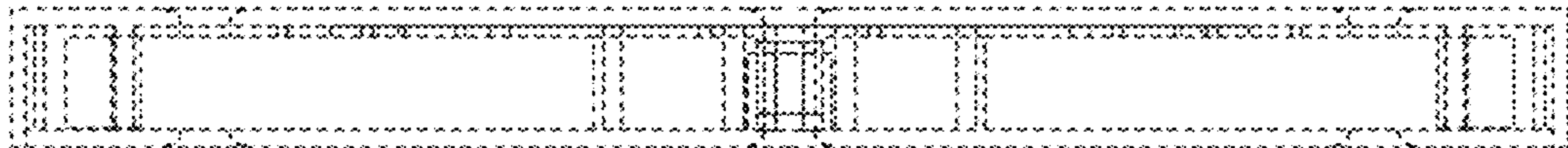


FIG. 5

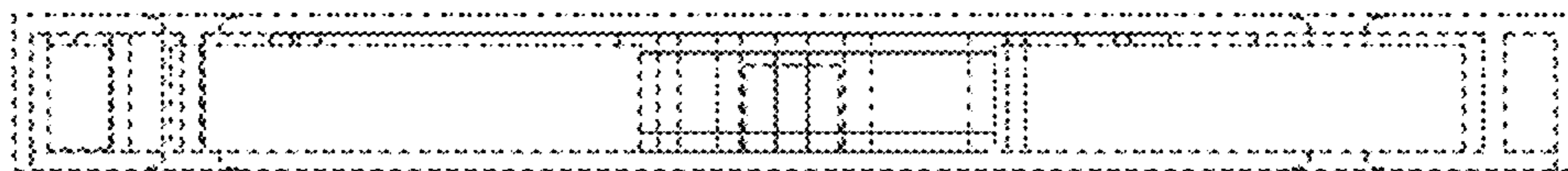


FIG. 6

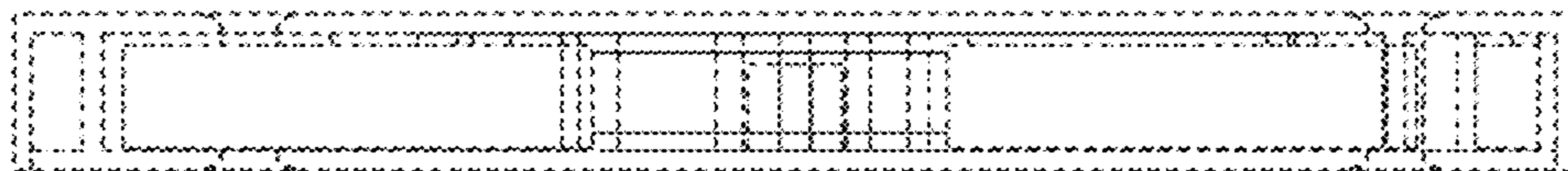


FIG. 7

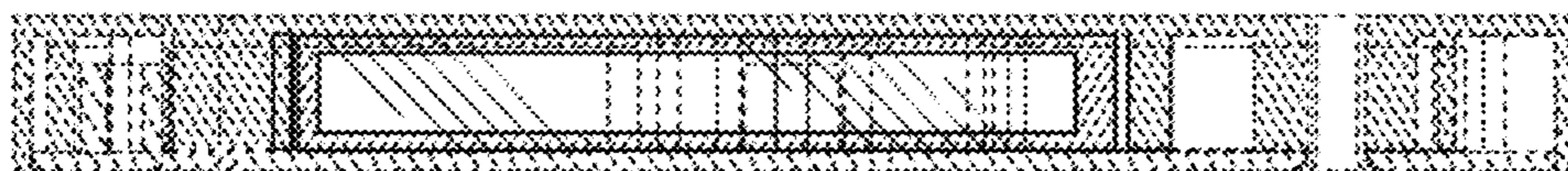


FIG. 8