



US00D894288S

(12) **United States Design Patent**
Shapiro et al.

(10) **Patent No.:** **US D894,288 S**

(45) **Date of Patent:** **** Aug. 25, 2020**

(54) **BUBBLE MACHINE**

(71) Applicant: **Honor Metro Limited**, Tsim Sha Tsui,
Kowloon (HK)

(72) Inventors: **Ami Shapiro**, Woodland Hills, CA
(US); **Xiaoyi Zhang**, Pasadena, CA
(US); **Jeffrey Falerni**, Agoura Hills,
CA (US)

(73) Assignee: **Honor Metro Limited**, Tsim Sha Tsui
(HK)

(**) Term: **15 Years**

(21) Appl. No.: **29/670,991**

(22) Filed: **Nov. 21, 2018**

(51) **LOC (12) Cl.** **21-01**

(52) **U.S. Cl.**
USPC **D21/401; D21/421**

(58) **Field of Classification Search**
USPC D21/398, 401, 402, 405, 455, 468, 483,
D21/513, 514, 516, 523, 525, 526, 528,
D21/532, 414, 419, 421-435, 457,
D21/533-563; 446/15-21, 71, 74, 76,
446/475, 484, 487, 491, 431, 440, 444,
446/448-453

CPC A63H 33/28
See application file for complete search history.

(56) **References Cited**

U.S. PATENT DOCUMENTS

D59,944 S * 12/1921 Williams D21/421
2,412,732 A 12/1946 Holman
2,547,825 A 4/1951 King
2,736,988 A * 3/1956 Fisher A63H 33/28
446/17
3,711,988 A 1/1973 Summerfield
4,016,673 A 4/1977 Constance
4,044,496 A 8/1977 Jernstrom
4,145,065 A 3/1979 Kupka

D258,161 S * 2/1981 Klawitter D21/532
D270,847 S * 10/1983 Wood D21/421
4,604,074 A 8/1986 Engle
4,764,141 A 8/1988 D'Andrade
RE32,973 E 7/1989 Panzarella
D309,645 S * 7/1990 Kuen D21/421
5,348,507 A 9/1994 McGhie
5,366,402 A 11/1994 Rudell et al.
D353,166 S * 12/1994 Kwak D21/401

(Continued)

FOREIGN PATENT DOCUMENTS

CN 201719820 U 1/2011

OTHER PUBLICATIONS

Unisquare, Fisher-Price Bubble Mower Toddler Toy Fun Blower
Play Gift Yard Speed Throttle; internet at <https://www.unisquare.com/sale/fisher-price-bubble-mower-toddler-toy-fun-blower-play-gift-yard-speed-throttle-565354/> printed Nov. 21, 2018.

(Continued)

Primary Examiner — Catherine A Tuttle

(74) *Attorney, Agent, or Firm* — Belles Katz LLC

(57) **CLAIM**

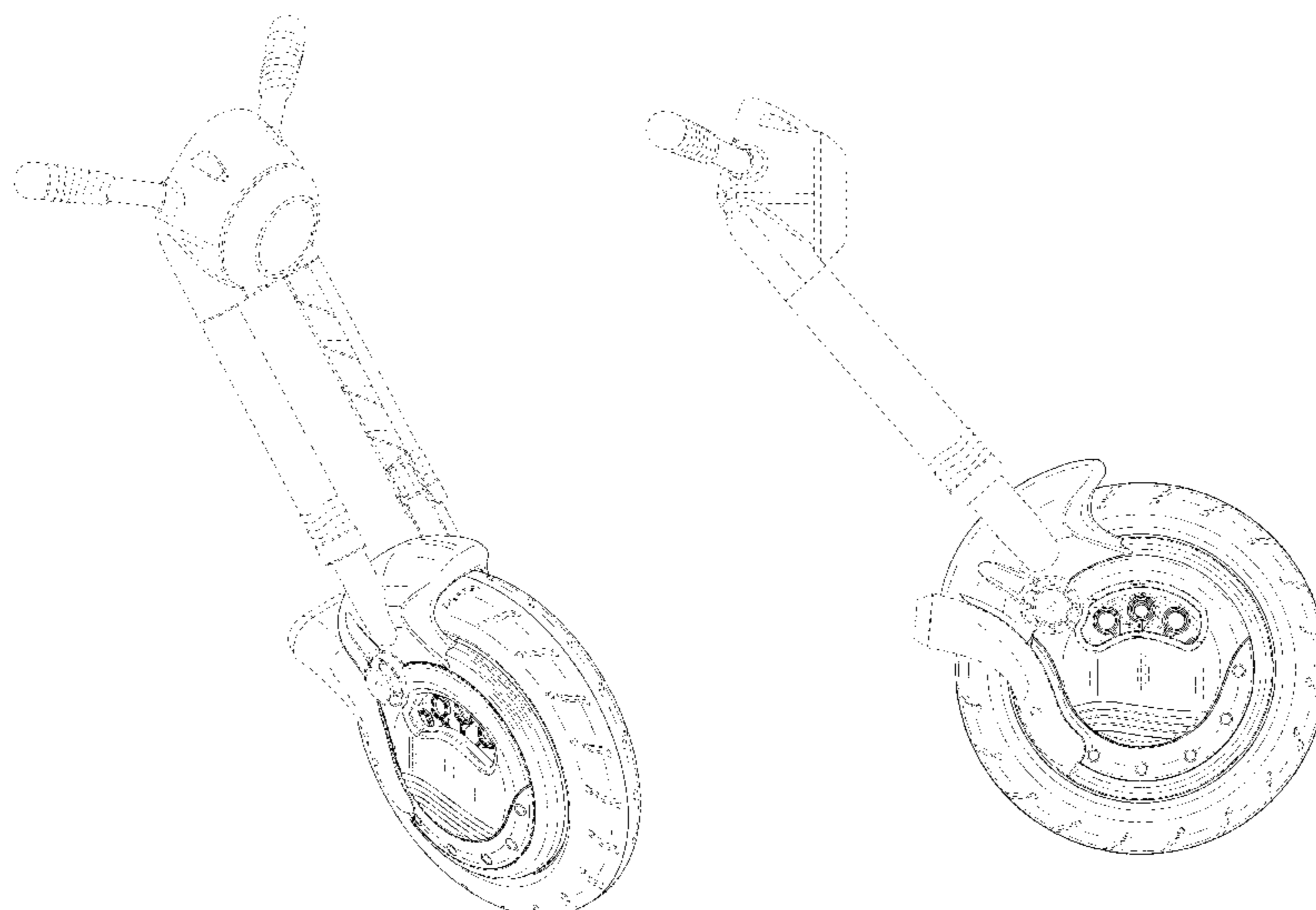
The ornamental design for a bubble machine, as shown and
described.

DESCRIPTION

FIG. 1 is a front perspective view of a bubble machine
showing our new design;
FIG. 2 is a front view thereof;
FIG. 3 is a rear view thereof;
FIG. 4 is a right side view thereof;
FIG. 5 is a left side view thereof;
FIG. 6 is a top view thereof; and,
FIG. 7 is a bottom view thereof.

The broken lines illustrate portions of the bubble machine
that form no part of the claimed design.

1 Claim, 7 Drawing Sheets



(56)

References Cited

U.S. PATENT DOCUMENTS

5,395,274 A * 3/1995 Myers A63H 33/28
446/16

5,542,869 A 8/1996 Petty

5,603,651 A 2/1997 Shure

5,620,351 A * 4/1997 Ho A63H 33/28
446/15

5,643,035 A 7/1997 Freese et al.

5,746,636 A 5/1998 Cernansky et al.

D419,203 S * 1/2000 Bao D21/401

D419,611 S * 1/2000 Bao D21/401

6,024,623 A 2/2000 Menow et al.

6,328,286 B1 * 12/2001 Sanchez A63H 33/28
261/30

6,345,676 B1 2/2002 Huntsberger

6,953,376 B1 10/2005 Kim et al.

D600,289 S * 9/2009 Lo D21/401

8,141,889 B2 3/2012 Yu et al.

D790,009 S * 6/2017 Lo D21/401

D833,538 S * 11/2018 Evans D21/421

D844,071 S * 3/2019 Gerstner D21/563

D849,153 S * 5/2019 Zhang D21/423

D871,508 S * 12/2019 Lo D21/401

2004/0198134 A1 * 10/2004 Thai A63H 33/28
446/15

2012/0220184 A1 8/2012 Orem

OTHER PUBLICATIONS

Sears, Bubble Club Bubble Lawn Mower, internet at <https://www.sears.com/lanard-bubble-club-bubble-lawn-mower/p-SPM11037296415/>, printed Nov. 21, 2018.

Fisher-Price, Bubble Mower-Pink, internet at <https://fisher-price.mattel.com/shop/en-us/fp/walkers-push-toys/bubble-mower-cgm04>, printed Nov. 21, 2018.

Toy Bubble, Childs Bubble Blowing Lawn Mower, internet at <https://toybubble.com/childs-bubble-blowing-lawn-mower/>, printed Nov. 21, 2018.

Bubble Inc., Bubble Lawn Mower, internet at <https://www.bubbleinc.co.uk/products/bubble-lawn-mower>, printed Nov. 21, 2018.

Amazon, Push 'N' Bubble Lawn Mower Machine with Realistic Sound, internet at <https://www.amazon.com/Bubble-Mower-Machine-Realistic-Sound/dp/B071H4Q8Z7>, printed Nov. 21, 2018.

* cited by examiner

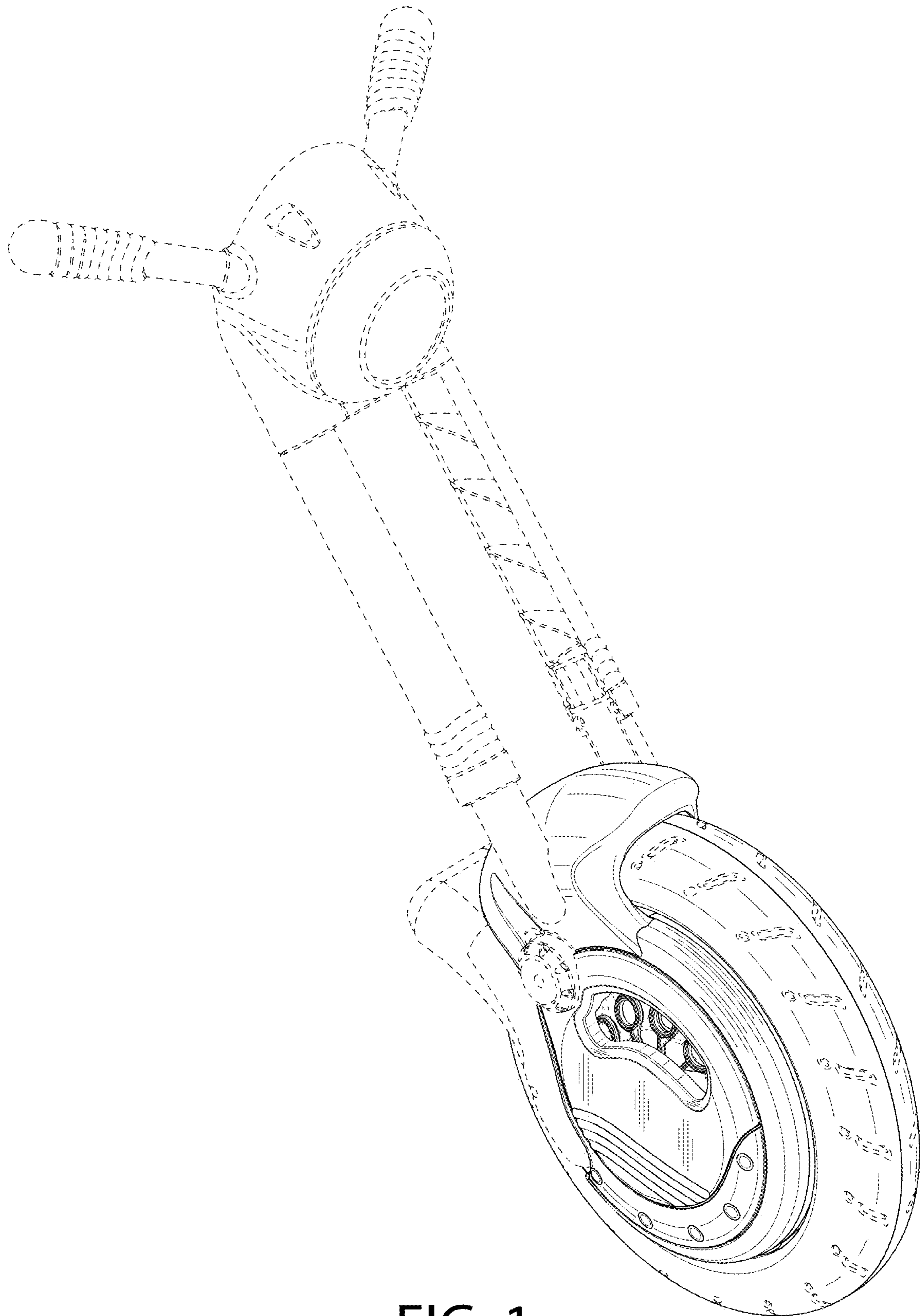


FIG. 1

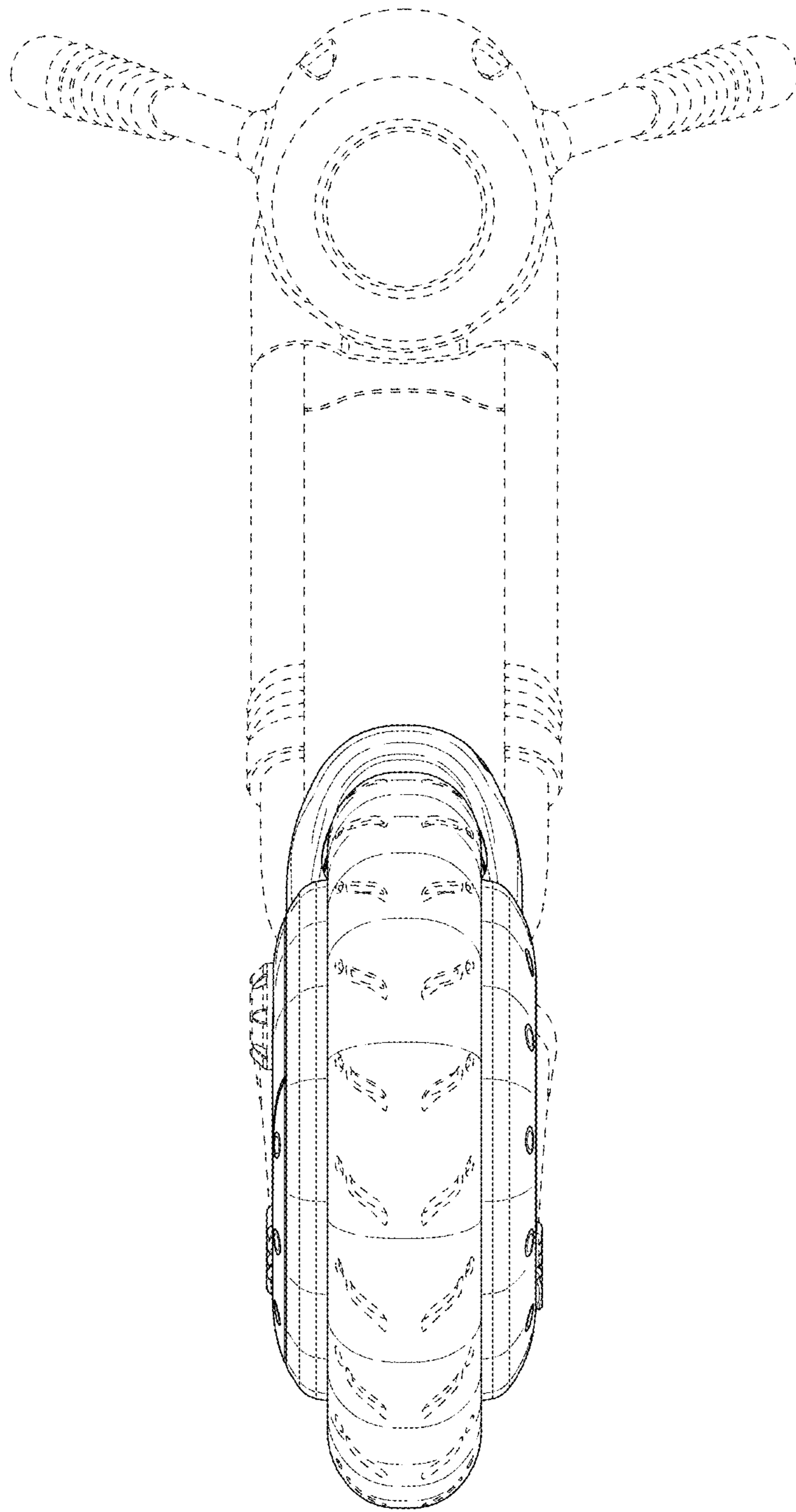


FIG. 2

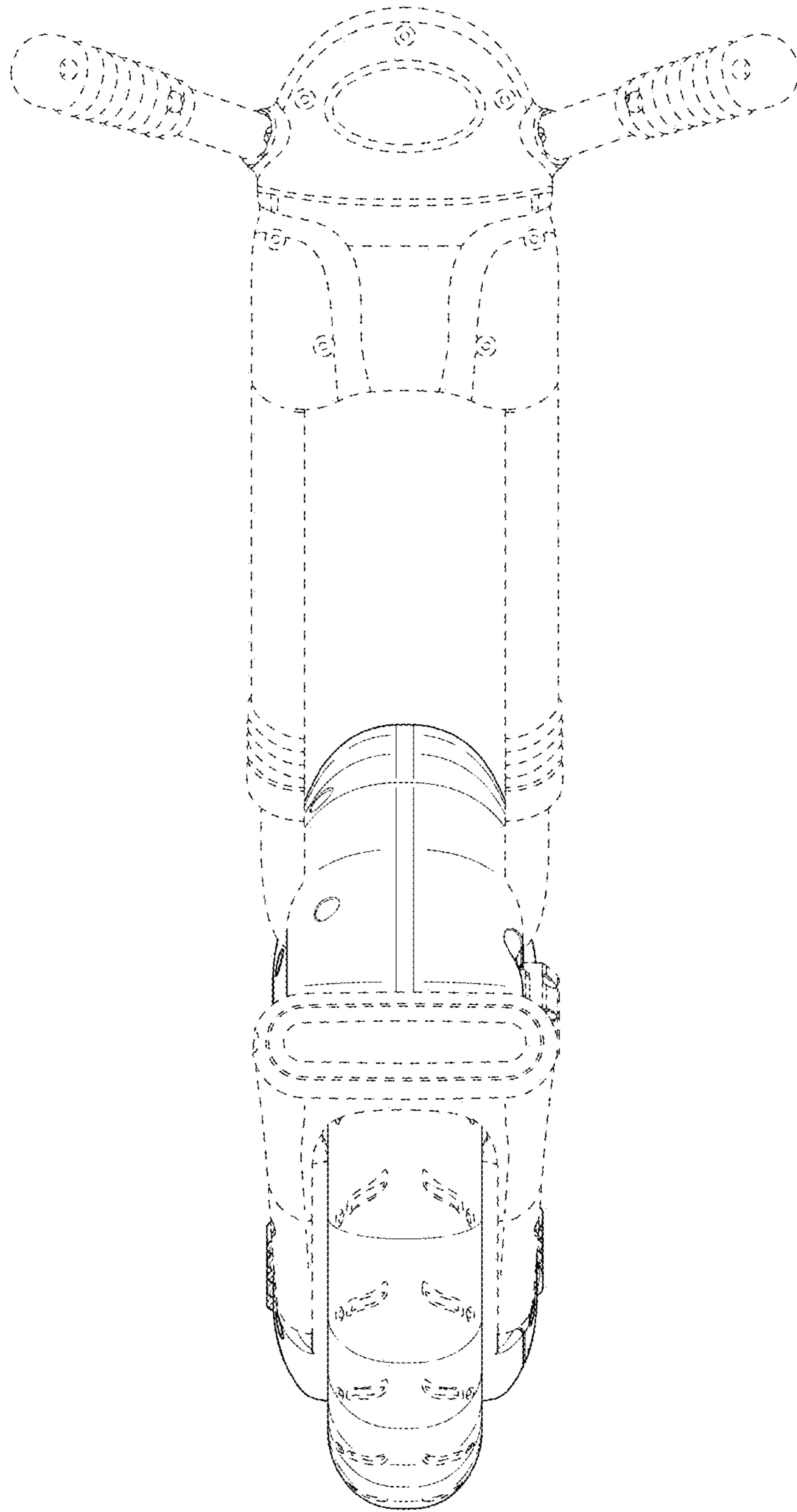


FIG. 3

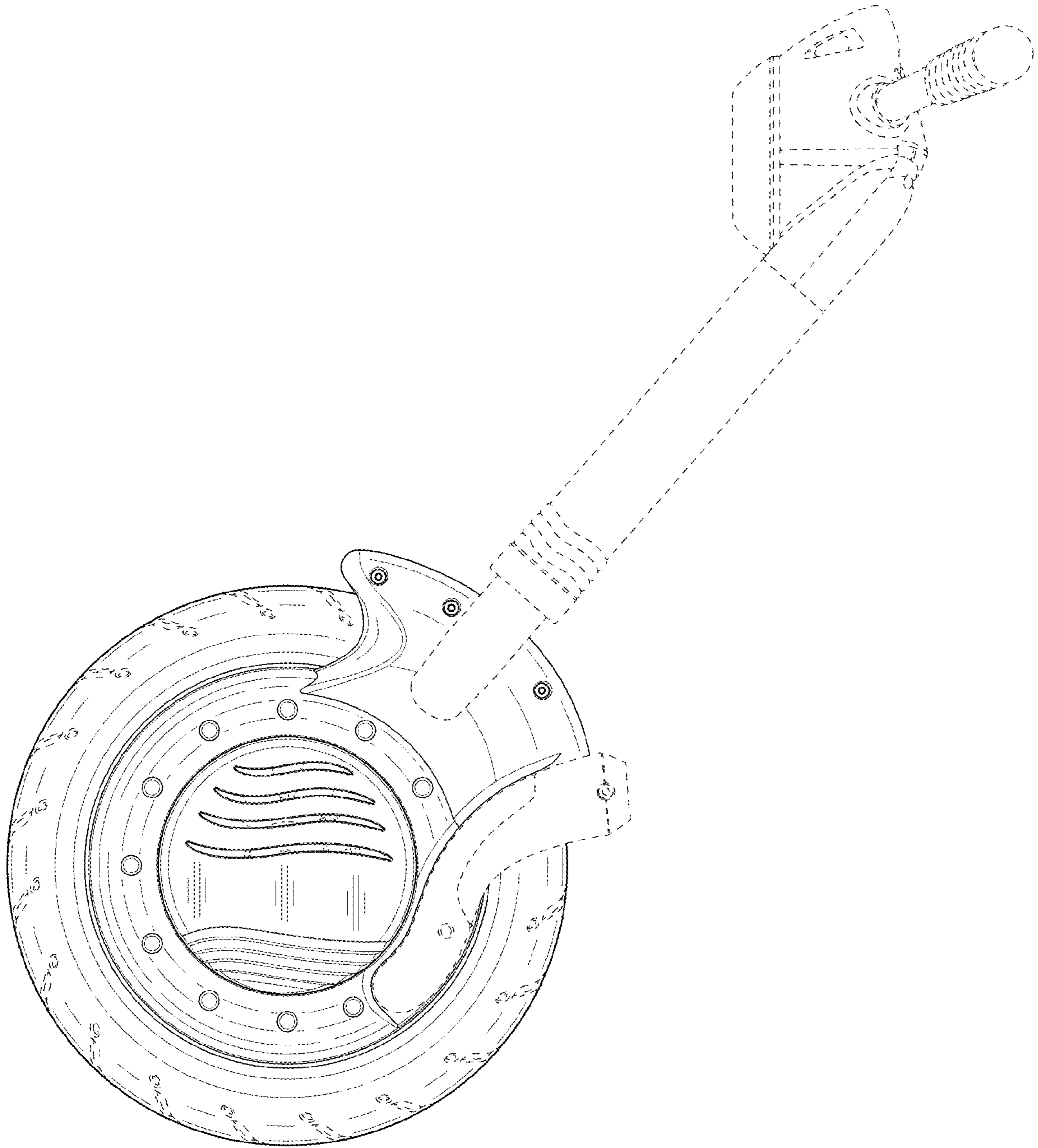


FIG. 4

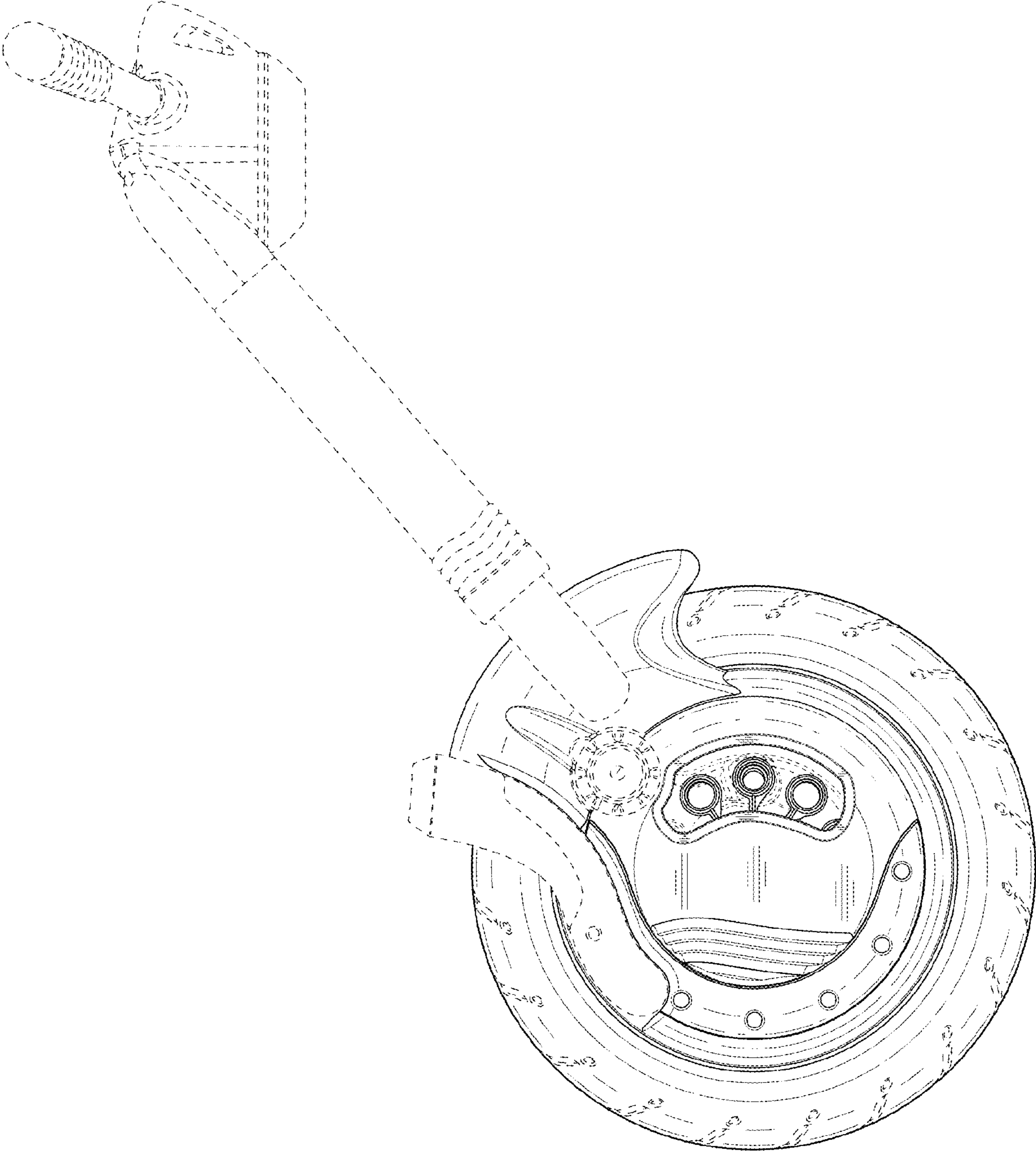


FIG. 5

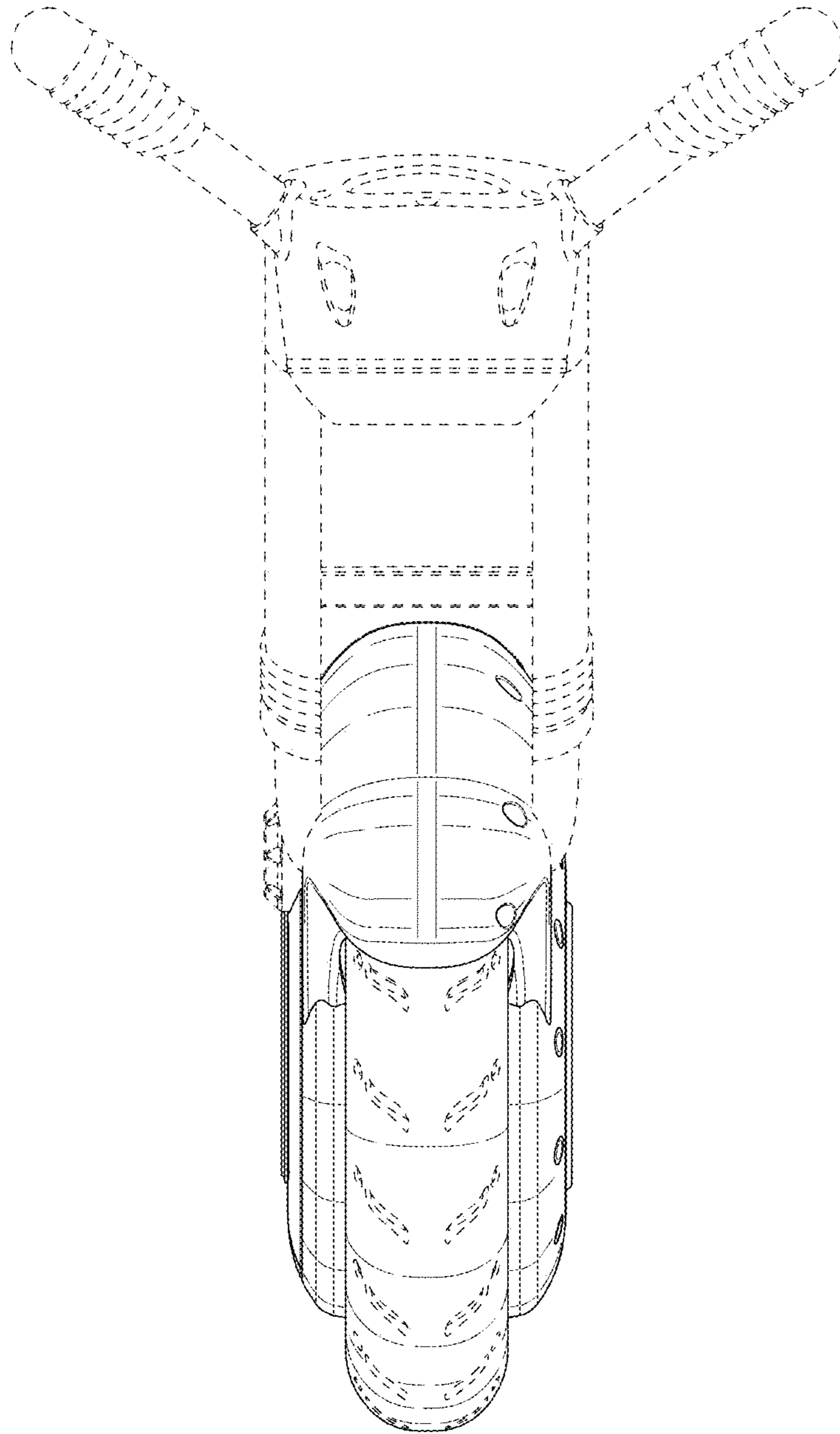


FIG. 6

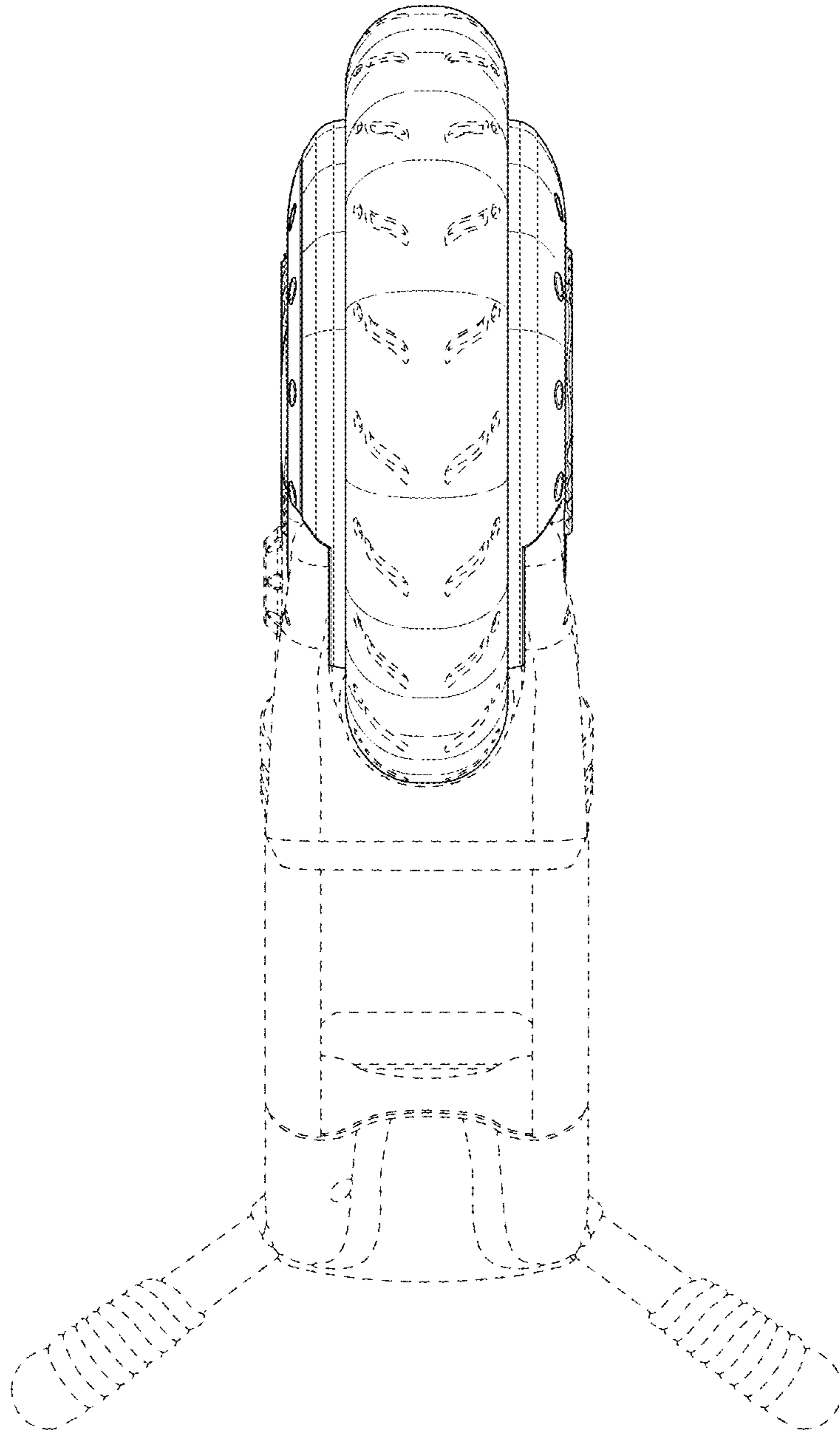


FIG. 7