

US00D894287S

(12) **United States Design Patent**
McDevitt, Sr.

(10) **Patent No.:** **US D894,287 S**

(45) **Date of Patent:** **** Aug. 25, 2020**

- (54) **TOSS GAME PLAYING PIECE AND ROD**
- (71) Applicant: **Brian J. McDevitt, Sr.**, Maryland Heights, MO (US)
- (72) Inventor: **Brian J. McDevitt, Sr.**, Maryland Heights, MO (US)
- (**) Term: **15 Years**
- (21) Appl. No.: **29/619,717**
- (22) Filed: **Sep. 30, 2017**
- (51) **LOC (12) Cl.** **21-01**
- (52) **U.S. Cl.**
USPC **D21/387**
- (58) **Field of Classification Search**
USPC D21/300, 301, 302, 307, 308, 334, 335, D21/363, 365, 370, 385-389, 392, 397
CPC A63F 7/0017; A63F 7/0023; A63B 67/06; A63B 2067/063; A63B 2067/065
See application file for complete search history.

2,079,736 A *	5/1937	Frazier	A63F 9/0208 473/591
2,157,826 A *	5/1939	Kearney	A01L 1/04 168/13
D125,788 S *	3/1941	Singer	D21/387
2,497,410 A *	2/1950	Ketting	A63F 9/0208 473/591
2,793,861 A	5/1957	Konopka	
3,690,660 A	9/1972	Olkowski	
3,773,330 A	11/1973	Glass et al.	
4,265,454 A	5/1981	Bayless	
D275,580 S	9/1984	Bowen	
4,720,107 A	1/1988	Peters et al.	
5,040,801 A	8/1991	Weymuth	
5,052,693 A	10/1991	Hicks	
5,185,499 A	2/1993	Yahraus	
D335,688 S	5/1993	Paquette	
5,354,628 A	10/1994	Watanabe	
5,413,502 A	5/1995	Wang	

(Continued)

Primary Examiner — George D. Kirschbaum

Assistant Examiner — Joseph J Kukella

(74) *Attorney, Agent, or Firm* — Grace J. Fishel

(57) **CLAIM**

The ornamental design for a toss game playing piece and rod, as shown and described.

DESCRIPTION

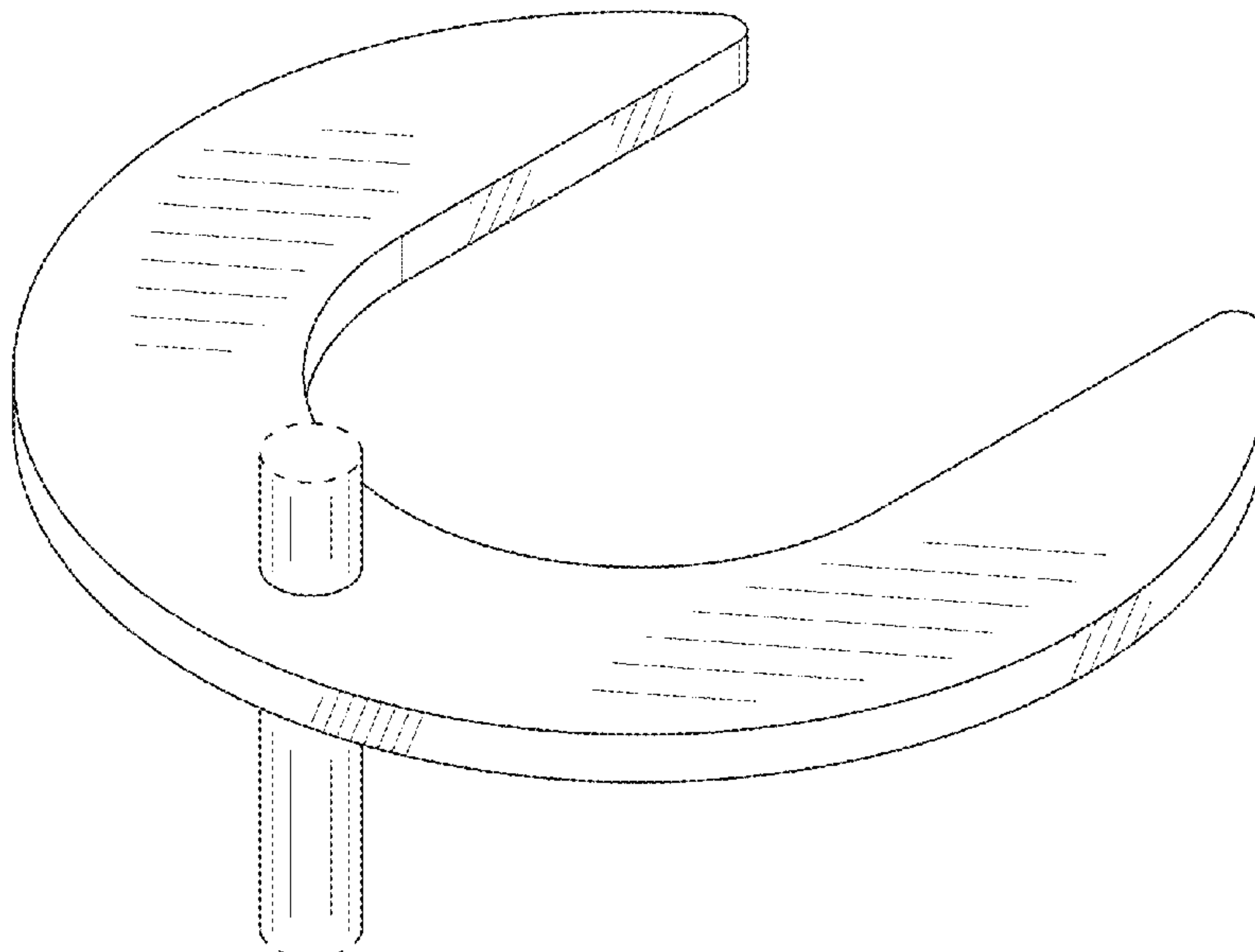
FIG. 1 is a perspective view of a toss game playing piece and rod showing my new design;
 FIG. 2 is a top plan view thereof, the bottom plan view being a mirror image;
 FIG. 3 is a rear view thereof
 FIG. 4 is a front view thereof; and,
 FIG. 5 is a right side view thereof, the left side view thereof being a mirror image.
 The broken lines in the drawings are directed to portions of the toss game playing piece and rod that form no part of the claimed design.

1 Claim, 3 Drawing Sheets

(56) **References Cited**

U.S. PATENT DOCUMENTS

1,138,234 A	5/1915	Martin	
1,148,886 A *	8/1915	Bird	A01L 1/02 168/24
1,193,040 A	8/1916	Martin	
1,525,167 A	2/1925	Comstock	
1,541,897 A	6/1925	Buedingen	
1,546,810 A	7/1925	Streit	
1,564,597 A	12/1925	Lund	
D86,590 S	3/1932	Adams	
D92,642 S *	7/1934	Altendorf	D21/387
2,007,885 A	7/1935	Spriggs	
D96,476 S *	8/1935	Isaacs	A63F 9/0208 D21/387
2,043,105 A *	6/1936	Lavoice	A63F 9/0208 473/591
2,071,479 A	2/1937	Williamson et al.	



(56)

References Cited

U.S. PATENT DOCUMENTS

5,971,396	A	10/1999	Wieland	
6,252,164	B1	6/2001	Wise	
6,477,128	B1	11/2002	Ma	
6,645,113	B2	11/2003	Orr	
D523,911	S	6/2006	Buckley	
7,654,880	B2 *	2/2010	Schneider A63H 33/18 446/46
D644,271	S *	8/2011	Osborne A63F 9/0208 D21/304
3,408,552	A1	4/2013	Sardo	
3,430,403	A1	4/2013	Wright	
D765,186	S *	8/2016	Kirkpatrick A63H 33/18 D21/387
2019/0070474	A1 *	3/2019	Sarvela A63B 71/0036

* cited by examiner

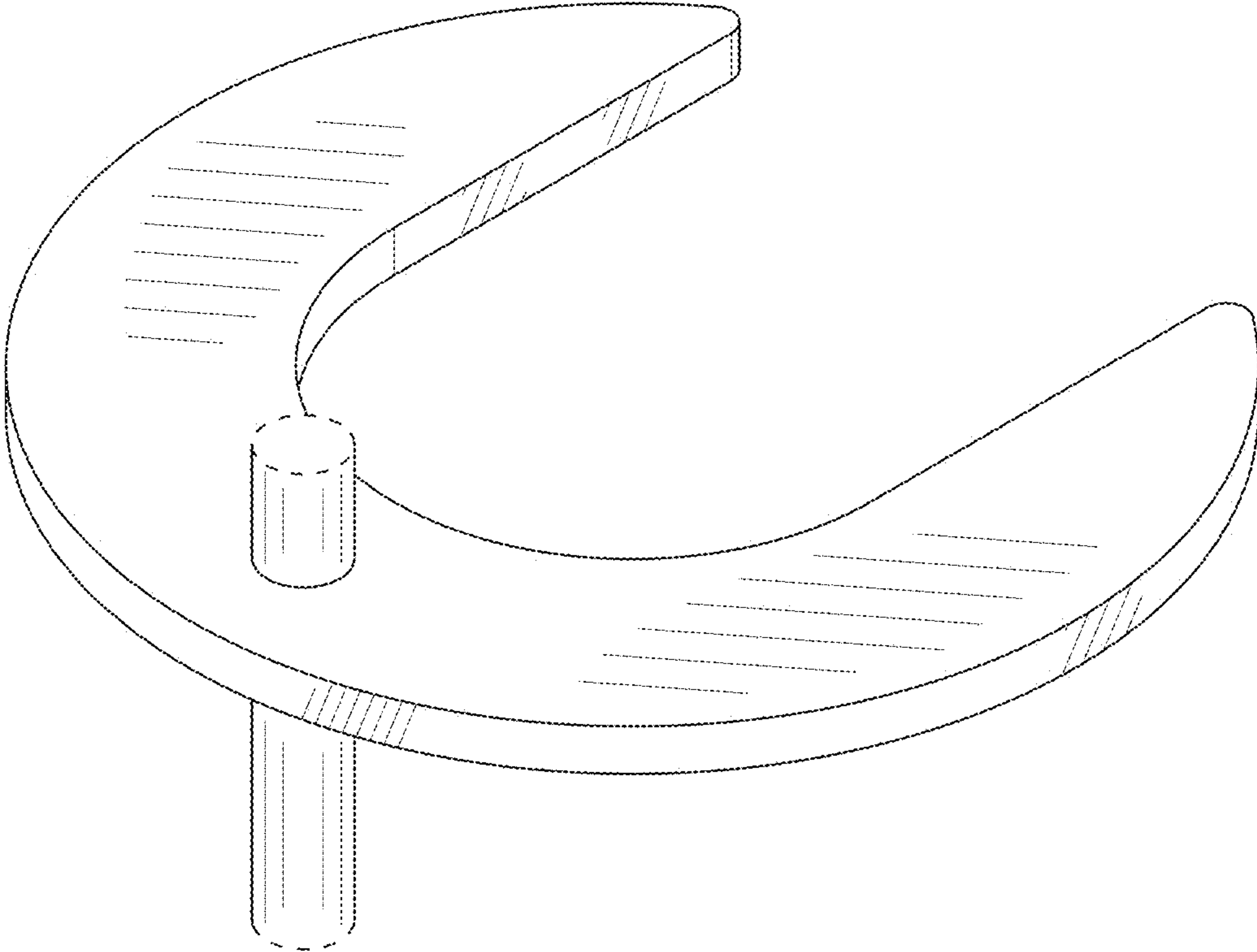


FIG. 1

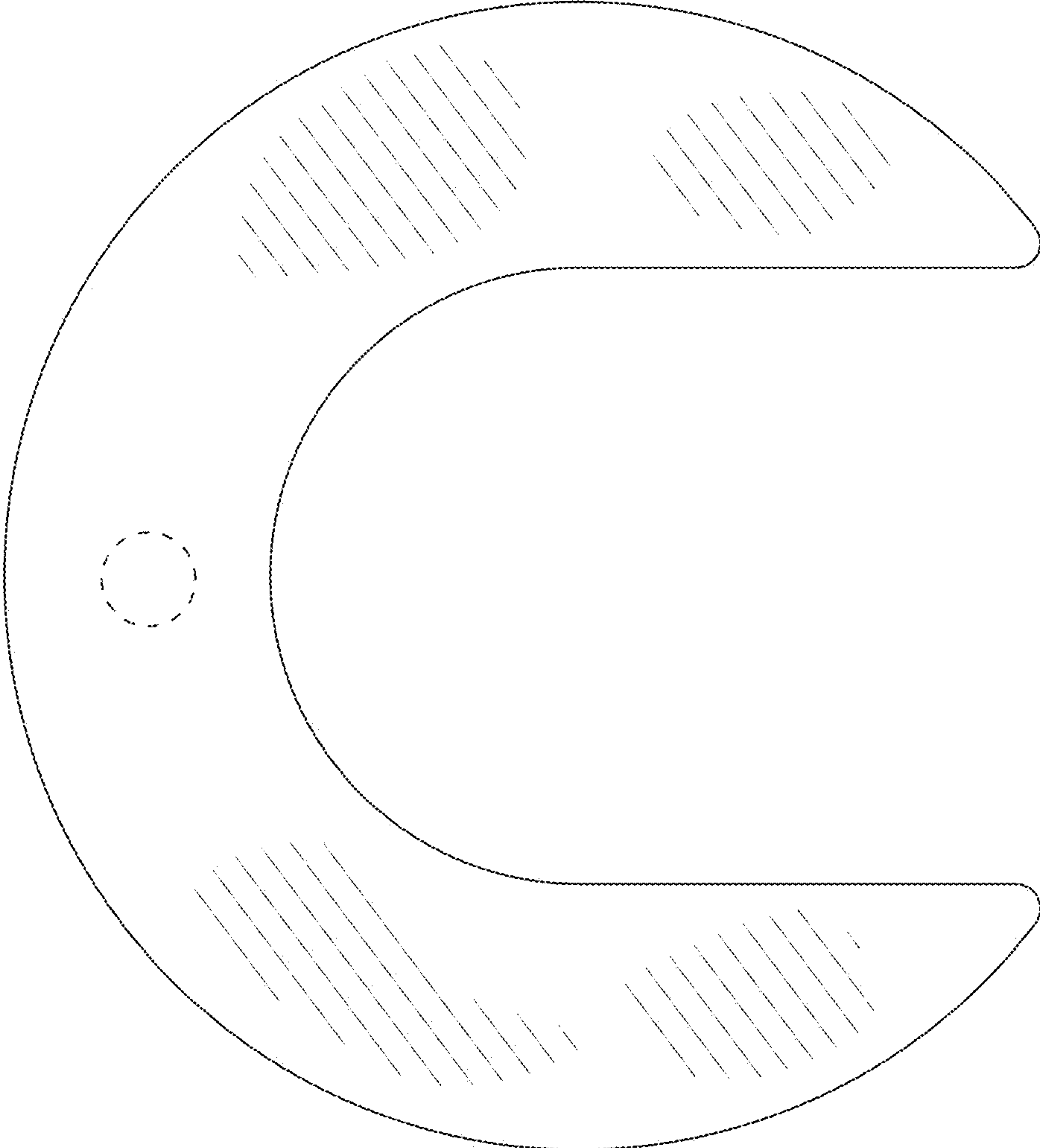


FIG. 2

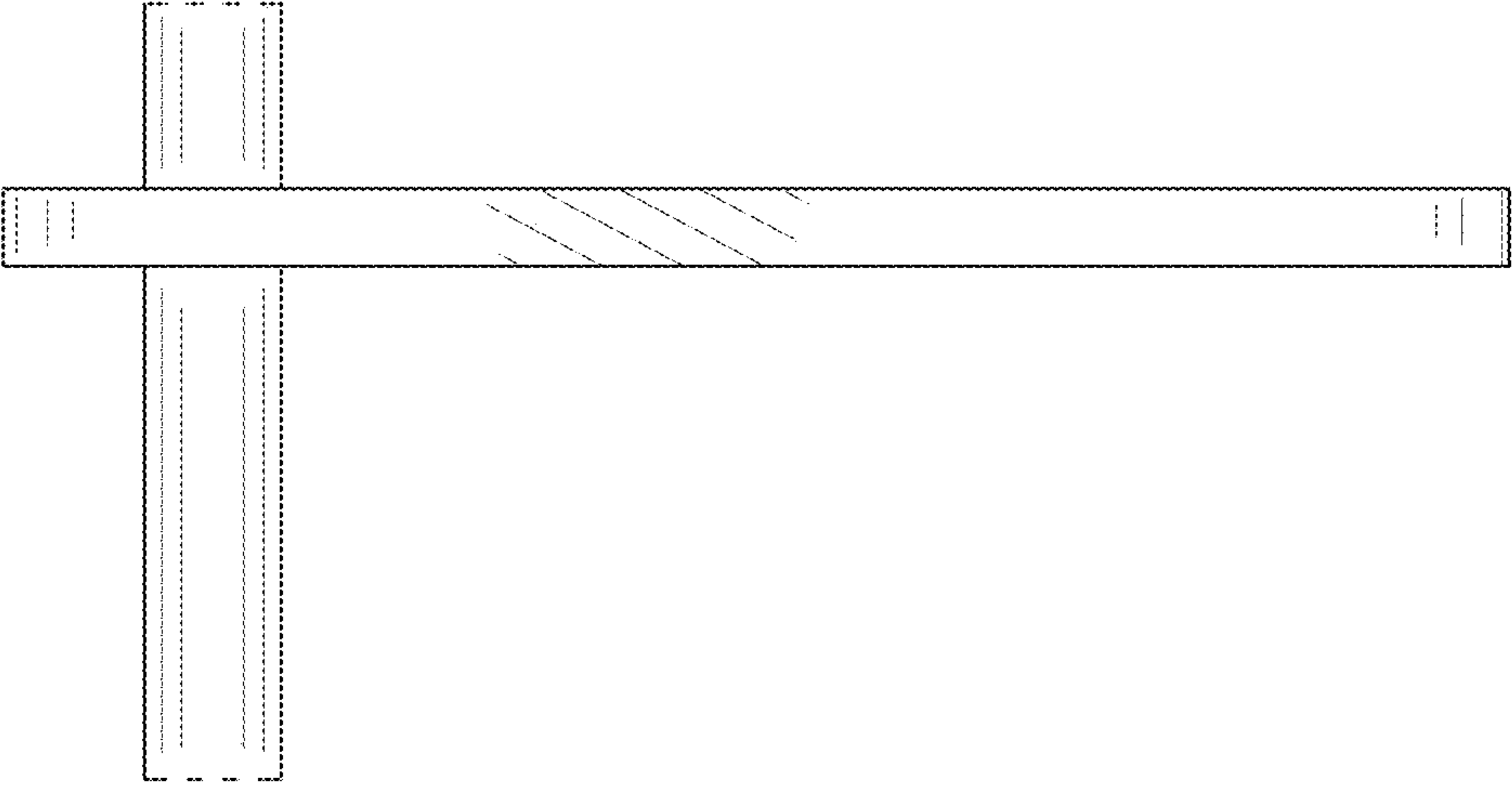


FIG. 5

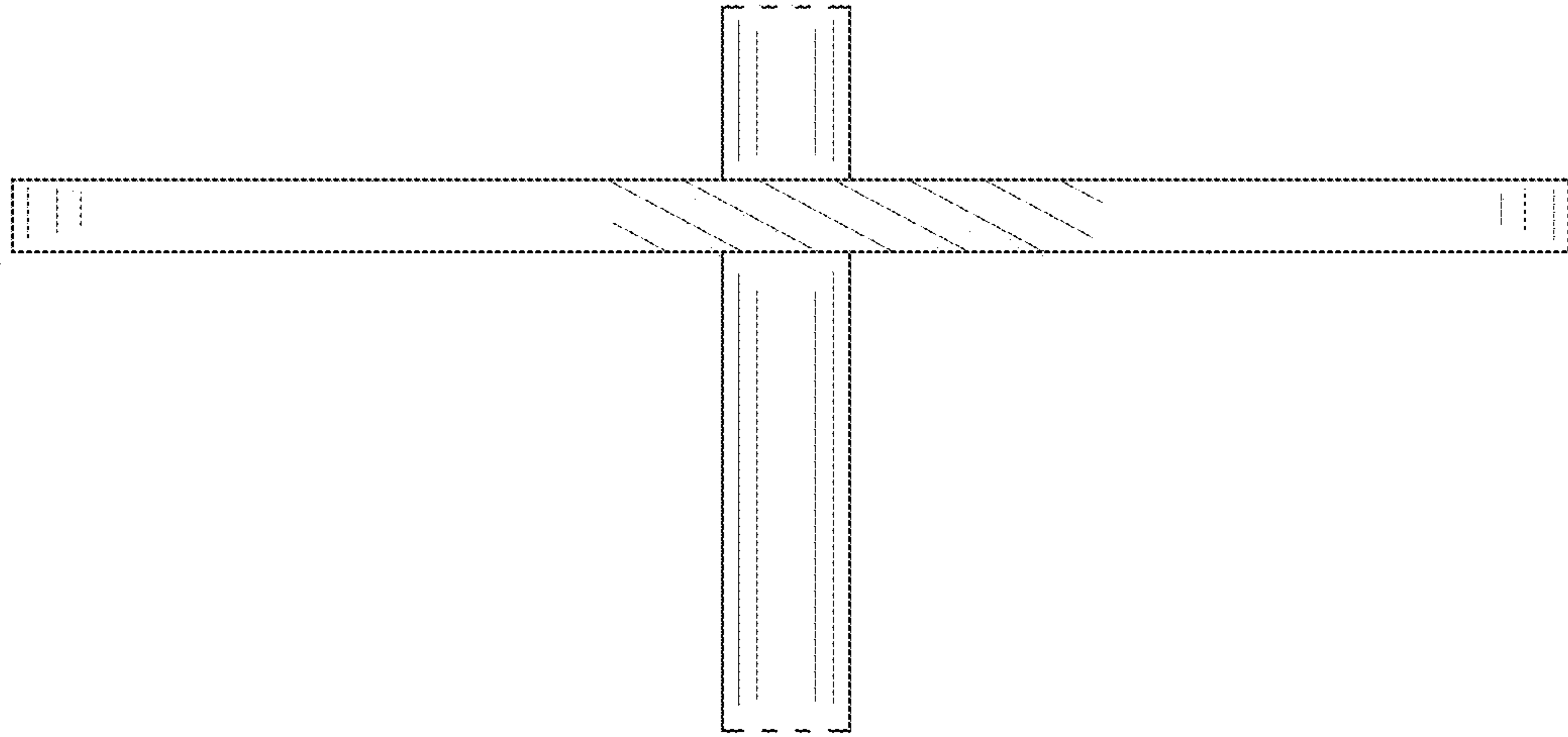


FIG. 3

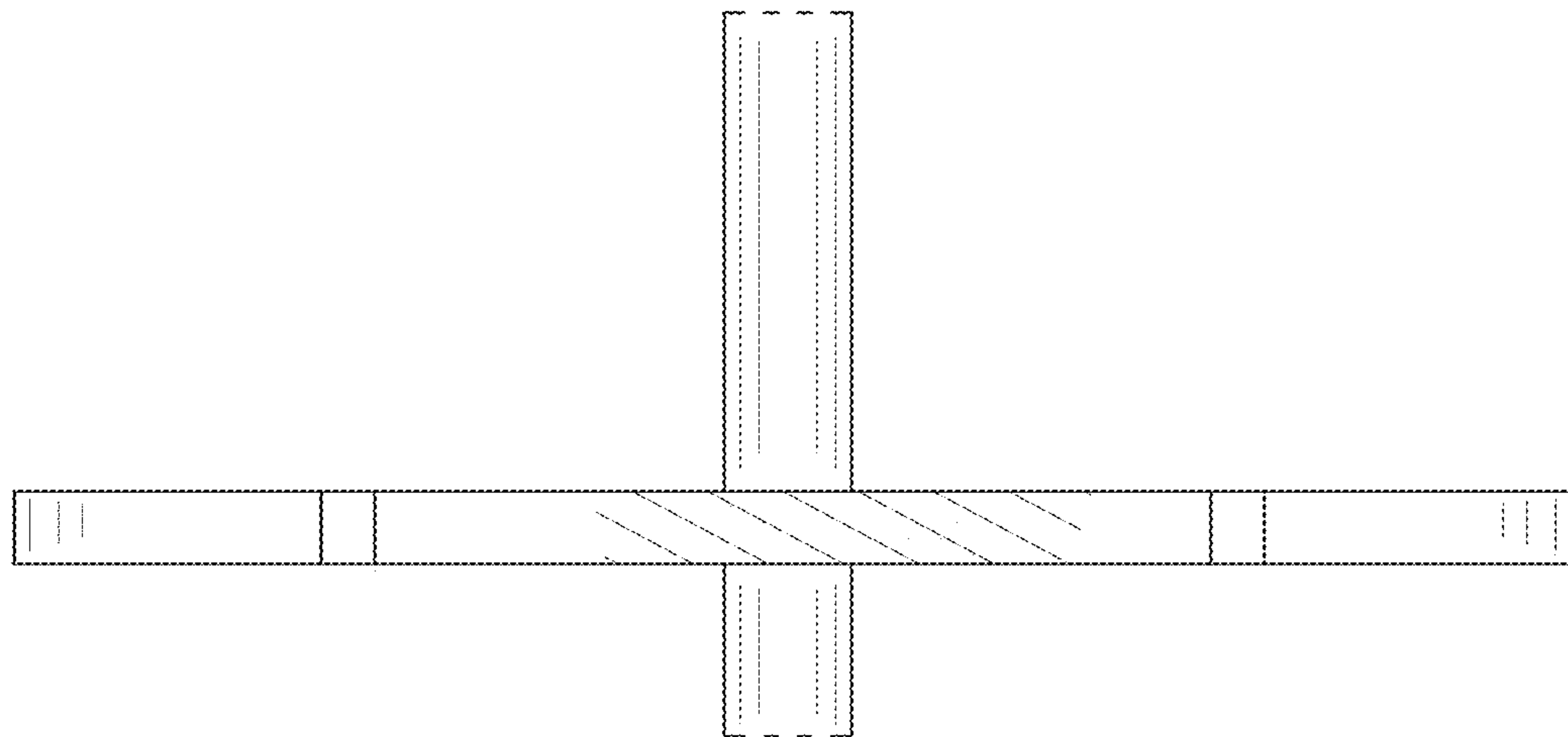


FIG. 4