



US00D894283S

(12) **United States Design Patent**
Kogure

(10) **Patent No.:** **US D894,283 S**

(45) **Date of Patent:** **** Aug. 25, 2020**

(54) **ASSEMBLING GAME PLATE**

(71) Applicant: **People Co., Ltd.**, Chuo-ku, Tokyo (JP)

(72) Inventor: **Masako Kogure**, Tokyo (JP)

(73) Assignee: **PEOPLE CO., LTD.**, Chuo-Ku, Tokyo (JP)

(**) Term: **15 Years**

(21) Appl. No.: **29/687,184**

(22) Filed: **Apr. 11, 2019**

(30) **Foreign Application Priority Data**

Feb. 8, 2019 (JP) 2019-002618

(51) **LOC (12) Cl.** **21-01**

(52) **U.S. Cl.**

USPC **D21/334; D21/364; D21/385**

(58) **Field of Classification Search**

USPC D21/334, 364, 300, 341-344, 347, 354, D21/365, 385, 404, 492, 504, 505, 386, D21/389, 391, 393, 396, 397, 478, 479, D21/480, 484, 485, 489, 491, 493, 500, D21/771, 793, 794, 900; 273/340, 120 A, 273/124 A, 118 A, 258, 248, 153 J, 271, 273/287, 153 S, 236, 238, 239, 242, 243, 273/249, 260, 261, 264, 268, 269, 270, 273/275, 276, 281, 282.1, 282.2, 282.3, 273/283, 284, 285, 288, 292, 294, 295, 273/306, 148 R, 153 R, 156, 157 R, 273/157 A, 443, 456, 448, 459

CPC A63F 3/00176; A63F 3/00574; A63F 3/00; A63F 3/00003; A63F 3/00009; A63F 3/00082; A63F 3/00088; A63F 3/00097; A63F 3/001; A63F 3/00173; A63F 3/00214; A63F 3/0023; A63F 3/00261; A63F 3/0052; A63F 3/00533; A63F 3/00634; A63F 3/00694; A63F 7/0023; A63F 2003/00179; A63F 2003/00186; A63F 2003/00223; A63F 2003/00583; A63F 2003/00798; A63F 2003/00287;

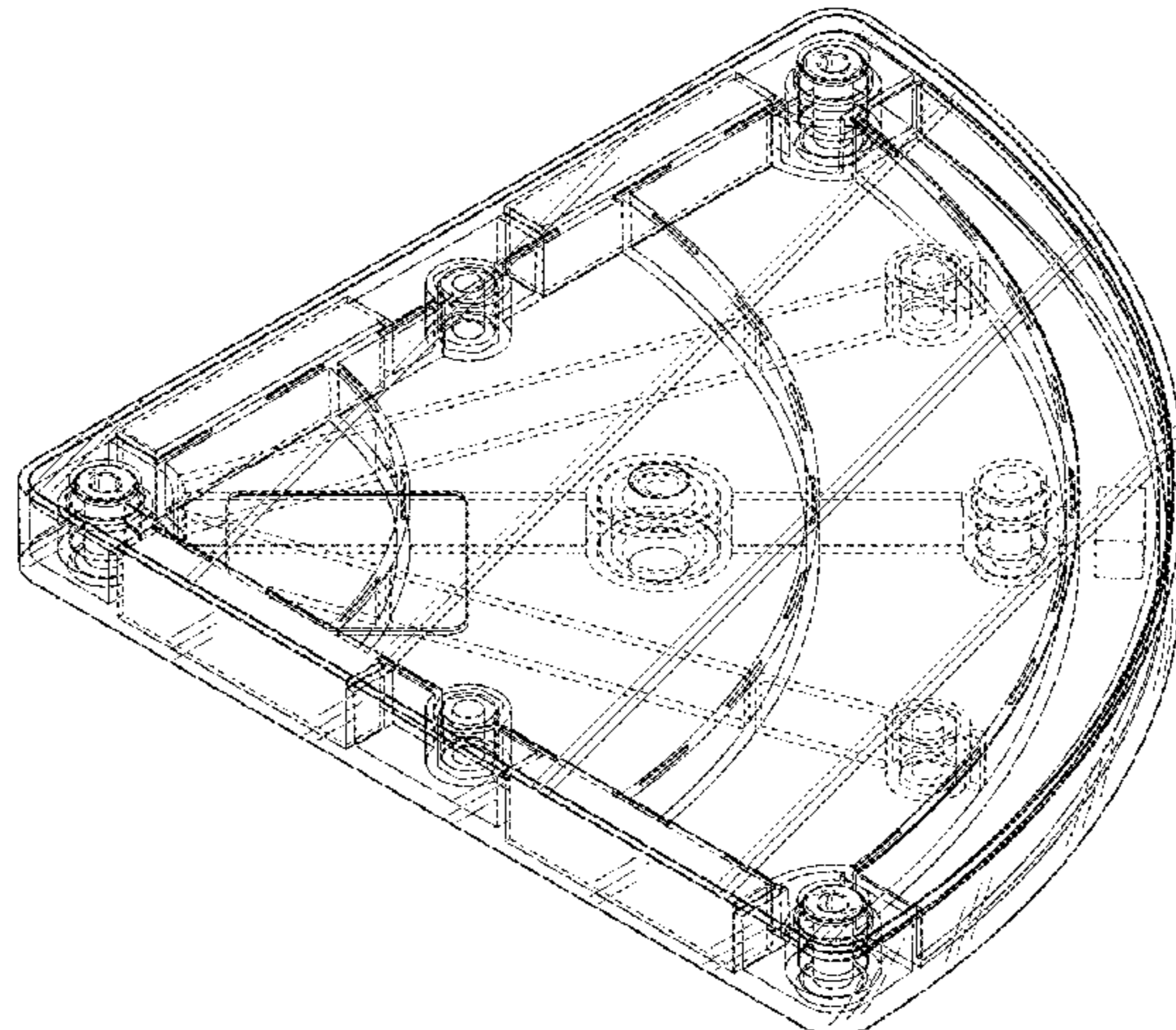
A63F 2003/00252; A63F 2003/00255; A63F 2003/00359; A63F 2003/00362; A63F 2003/00372; A63F 2003/00375; A63F 2003/00378; A63F 2003/00391; A63F 2003/00394; A63F 2003/00457; A63F 2003/00463; A63F 2003/0047; A63F 2003/00473; A63F 2003/00485; A63F 2003/00492; A63F 2003/00545; A63F 2003/00548; A63F 2003/00586; A63F 2003/00589; A63F 2003/0063; A63F 2003/00599; A63F 2003/00927; A63F 2003/00886; A63F 2003/00766; A63F 2003/00741; A63F 2003/00738; A63F 2003/00725; A63F 2003/00719; A63F 2003/00716; A63F 2003/0093; A63F 2007/0041; A63F 2011/0088; A63F 9/14; A63F 9/34; A63F 2009/0615; A63F 2009/345

See application file for complete search history.

(56) **References Cited**

U.S. PATENT DOCUMENTS

D202,361 S * 9/1965 Wolfe D21/492
D217,780 S * 6/1970 Lindroth D11/130.1
D226,120 S * 1/1973 Ogsbury et al. D21/491
D234,706 S * 4/1975 Harvey D21/489
D234,791 S * 4/1975 McAllister D21/489
3,998,004 A * 12/1976 Ehrlich A63H 33/046
446/92
4,258,027 A * 3/1981 Ullman A61K 9/2072
424/467
D270,921 S * 10/1983 Morgan D21/335
D285,584 S * 9/1986 Kassai D21/489
4,925,338 A * 5/1990 Kapusta A63H 33/04
220/4.24
D313,436 S * 1/1991 Erickson D21/489
5,183,430 A * 2/1993 Swann A63H 33/04
446/104
D354,526 S * 1/1995 Ryaa D21/489
5,575,701 A * 11/1996 Hantman A63H 33/10
446/104
5,620,325 A * 4/1997 Glick A63H 33/04
434/258
D380,790 S * 7/1997 Gabriel D21/489
D380,792 S * 7/1997 Gabriel D21/489
D384,995 S * 10/1997 Munir D21/491



D404,089 S * 1/1999 Glickman D21/489
 5,947,786 A * 9/1999 Glick A63H 33/04
 446/85
 D423,794 S * 5/2000 Brownfield D6/300
 D425,138 S * 5/2000 Haddad D21/386
 D425,575 S * 5/2000 Cyrus D21/484
 D427,438 S * 7/2000 Dudek D6/300
 6,431,936 B1 * 8/2002 Kiribuchi A63H 33/046
 446/129
 6,500,007 B2 * 12/2002 Pupulin A63H 33/04
 273/157 R
 6,935,075 B2 * 8/2005 Sherman E04B 1/08
 446/108
 7,004,082 B2 * 2/2006 Yang A47B 37/04
 108/50.12
 7,066,778 B2 * 6/2006 Kretzschmar A63H 33/046
 446/124
 7,154,363 B2 * 12/2006 Hunts H01F 7/0242
 335/306
 7,160,170 B2 * 1/2007 Yoon A63H 33/046
 273/156
 7,833,078 B2 * 11/2010 Kretzschmar A63H 33/046
 446/137
 7,892,065 B2 * 2/2011 Vicentelli A63H 33/108
 446/108
 8,187,006 B2 * 5/2012 Rudisill H01R 11/30
 362/249.06
 8,458,863 B2 * 6/2013 Hunts H01F 7/0242
 24/303
 8,491,312 B2 * 7/2013 Rudisill H01R 11/30
 439/39
 D707,306 S * 6/2014 Norman D21/504
 D715,873 S * 10/2014 Norman D21/486
 D715,874 S * 10/2014 Norman D21/486
 D716,384 S * 10/2014 Norman D21/486
 D729,116 S * 5/2015 Riccobono D11/165
 9,266,030 B2 * 2/2016 Graube A63H 33/062
 D758,503 S * 6/2016 Sorensen D21/505
 D771,752 S * 11/2016 Henkin D21/404
 D773,562 S * 12/2016 Kiribuchi D21/363
 D773,563 S * 12/2016 Kiribuchi D21/363
 D773,564 S * 12/2016 Kiribuchi D21/363
 D784,938 S * 4/2017 Wang D13/183
 9,636,600 B2 * 5/2017 Rudisill A63H 33/046
 9,643,100 B2 * 5/2017 Fein A63H 33/046
 D789,312 S * 6/2017 Wang D13/183
 9,669,324 B2 * 6/2017 Roth A63H 33/062
 9,713,777 B2 * 7/2017 Peterson A63H 33/046
 D799,603 S * 10/2017 Wang D21/386
 D799,604 S * 10/2017 Wang D21/386
 D813,955 S * 3/2018 Henkin D21/404
 D823,946 S * 7/2018 Henkin D21/404
 D827,720 S * 9/2018 Whang D21/404
 D827,721 S * 9/2018 Whang D21/404
 D829,825 S * 10/2018 Henkin D21/404
 D849,854 S * 5/2019 Hardstaff D21/505
 D867,263 S * 11/2019 Ornstein D21/505
 D869,567 S * 12/2019 Holman D21/484
 2001/0010992 A1 * 8/2001 Brazier A63H 33/04
 446/108
 2002/0119725 A1 * 8/2002 Pupulin A63H 33/10
 446/85
 2006/0240737 A1 * 10/2006 Yoon A63H 33/046
 446/92
 2010/0087119 A1 * 4/2010 Vicentelli A63H 33/046
 446/92
 2010/0197148 A1 * 8/2010 Rudisill H01R 13/2407
 439/40
 2011/0039473 A1 * 2/2011 Kretzschmar A63H 33/046
 446/92

2013/0267145 A1 * 10/2013 Rosen A63H 33/046
 446/92
 2014/0179194 A1 * 6/2014 Fein A63H 33/046
 446/92
 2014/0227934 A1 * 8/2014 Rudisill A63H 33/046
 446/92
 2014/0302741 A1 * 10/2014 Whittaker A63H 33/046
 446/92
 2015/0072587 A1 * 3/2015 Ornstein A63H 33/046
 446/92
 2015/0104993 A1 * 4/2015 Kennedy A63H 33/10
 446/108
 2016/0074766 A1 * 3/2016 Choi A63H 33/046
 446/92
 2016/0184727 A1 * 6/2016 Ornstein A63H 33/046
 446/92
 2017/0065899 A1 * 3/2017 Moskowitz A63H 33/044
 2017/0232357 A1 * 8/2017 Rosen A63H 33/04
 446/92

* cited by examiner

Primary Examiner — Susan Moon Lee
 (74) *Attorney, Agent, or Firm* — Leydig Voit & Mayer,
 Ltd.

(57) **CLAIM**

The ornamental design for an assembling game plate, as shown and described.

DESCRIPTION

FIG. 1 is a front view of an assembling game plate of the present invention including a housing, ribs, magnets and a hollow passage.

FIG. 2 is a rear view thereof.

FIG. 3 is a top plan view thereof.

FIG. 4 is a bottom view thereof.

FIG. 5 is a right side view thereof.

FIG. 6 is a left side view thereof.

FIG. 7 is a perspective view thereof.

FIG. 8 is an enlarged sectional view thereof taken along section line 8-8 of FIG. 1.

FIG. 9 is an enlarged sectional view thereof taken along section line 9-9 of FIG. 3.

FIG. 10 is an enlarged view of the portion indicated by arrows 10-10 of the assembling game plate of FIG. 3.

FIG. 11 is an enlarged view of the portion indicated by arrows 11-11 of the assembling game plate of FIG. 3; and,

FIG. 12 is an enlarged view of the portion indicated by arrows 12-12 of the assembling game plate of FIG. 3.

The alternating long and short dashed lines indicate bounds of the claimed design and form no part thereof. The alternating long and short dashed lines, that connect between the two dashed lines of the ribs, are present at the ribs that extend radially.

The features shown in broken lines are included to illustrate portions of the assembling game plate and form no part of the claimed design.

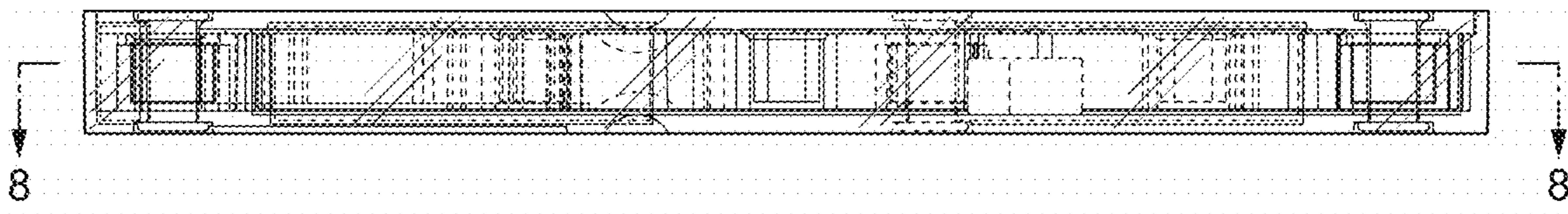


FIG. 1

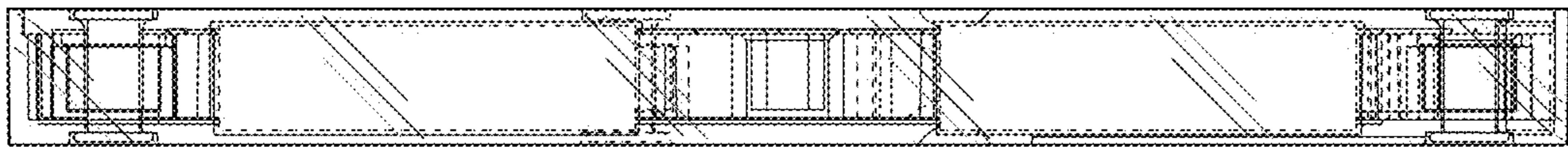


FIG. 2

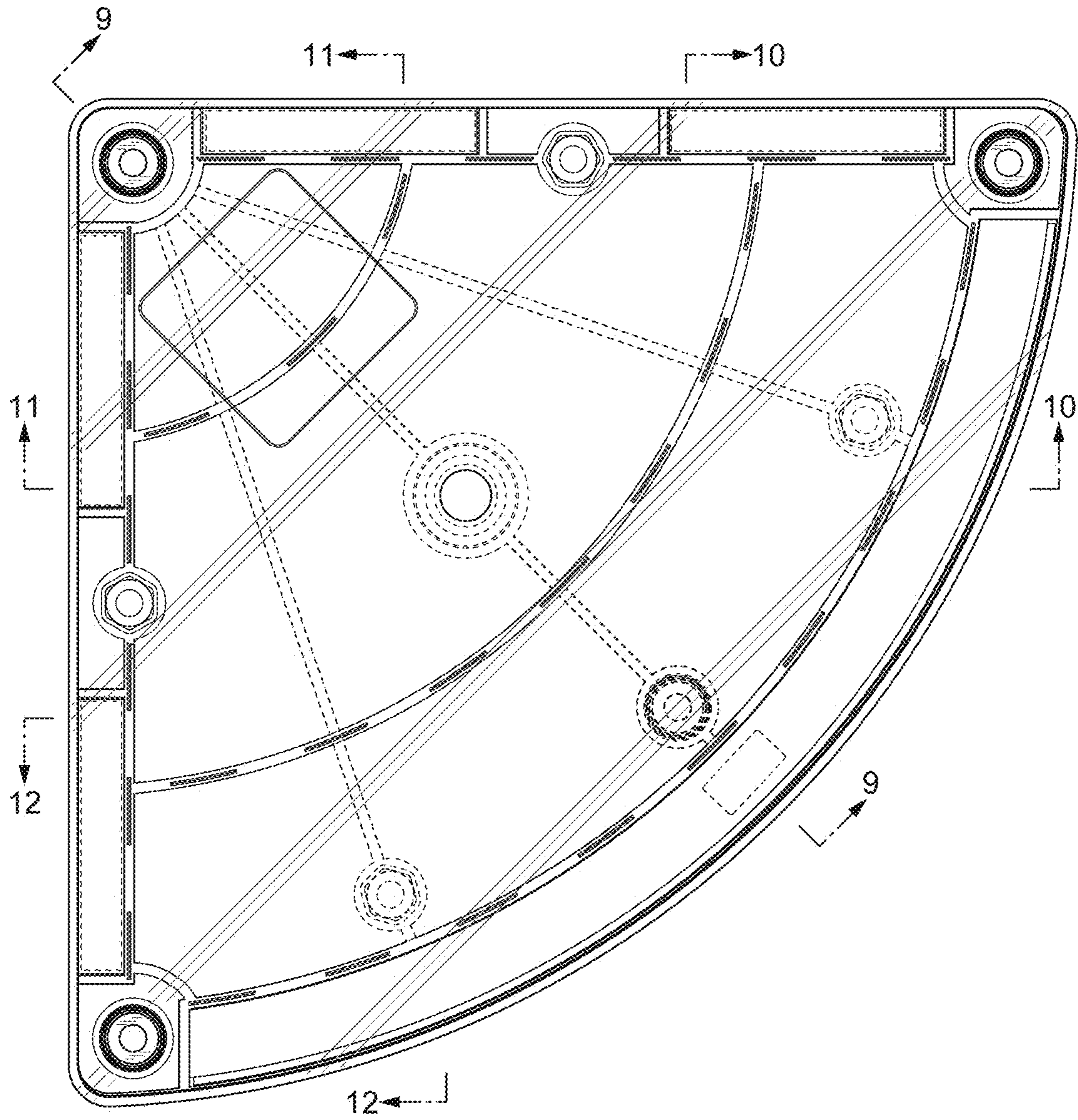


FIG. 3

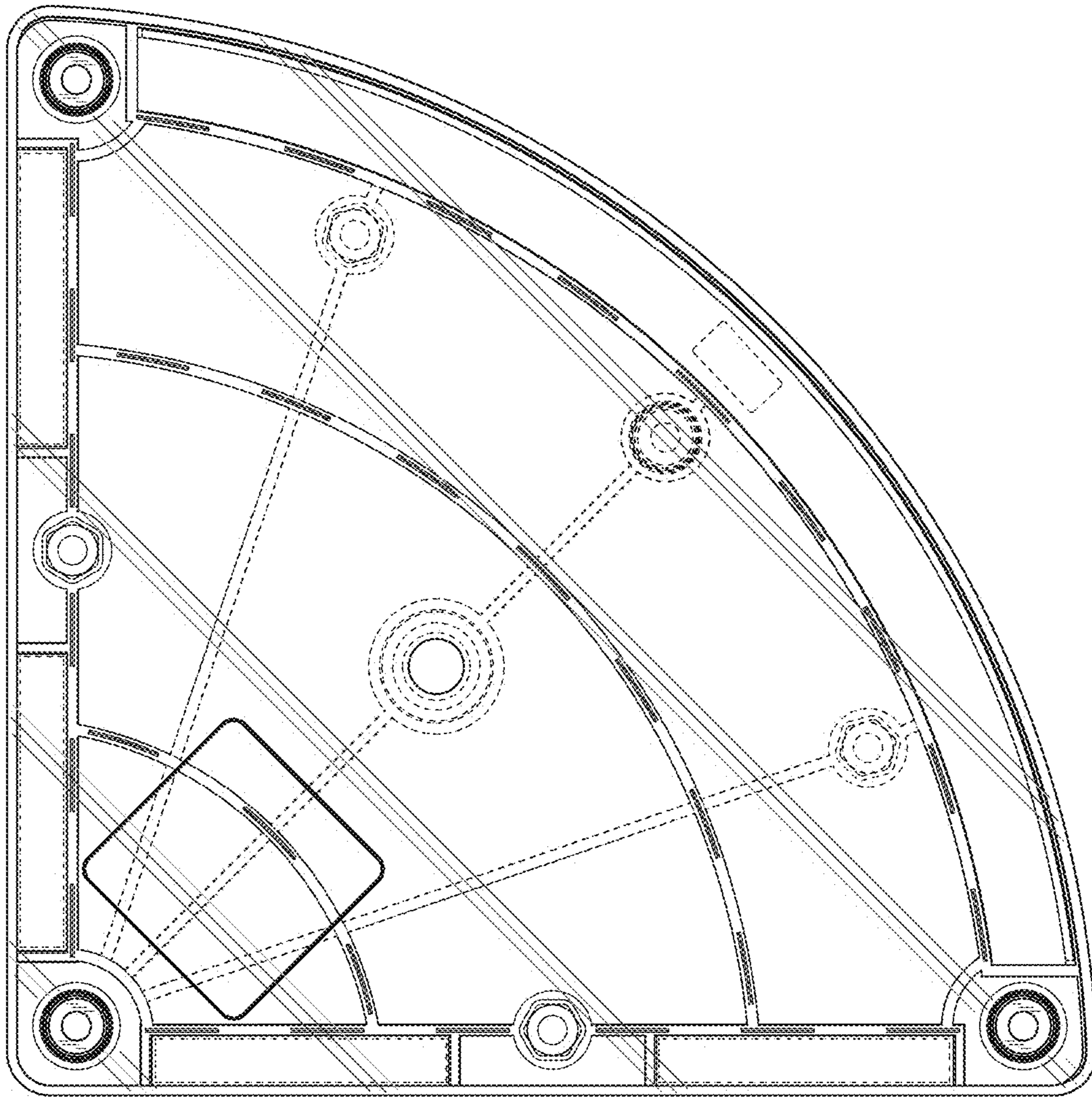


FIG. 4

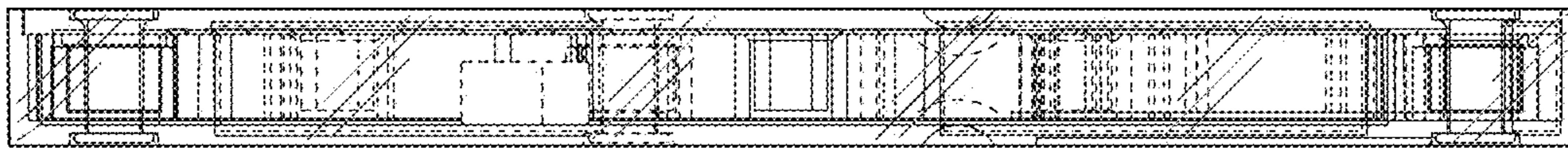


FIG. 5

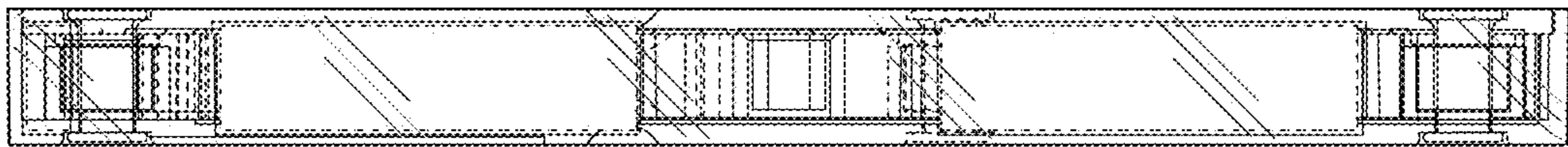


FIG. 6

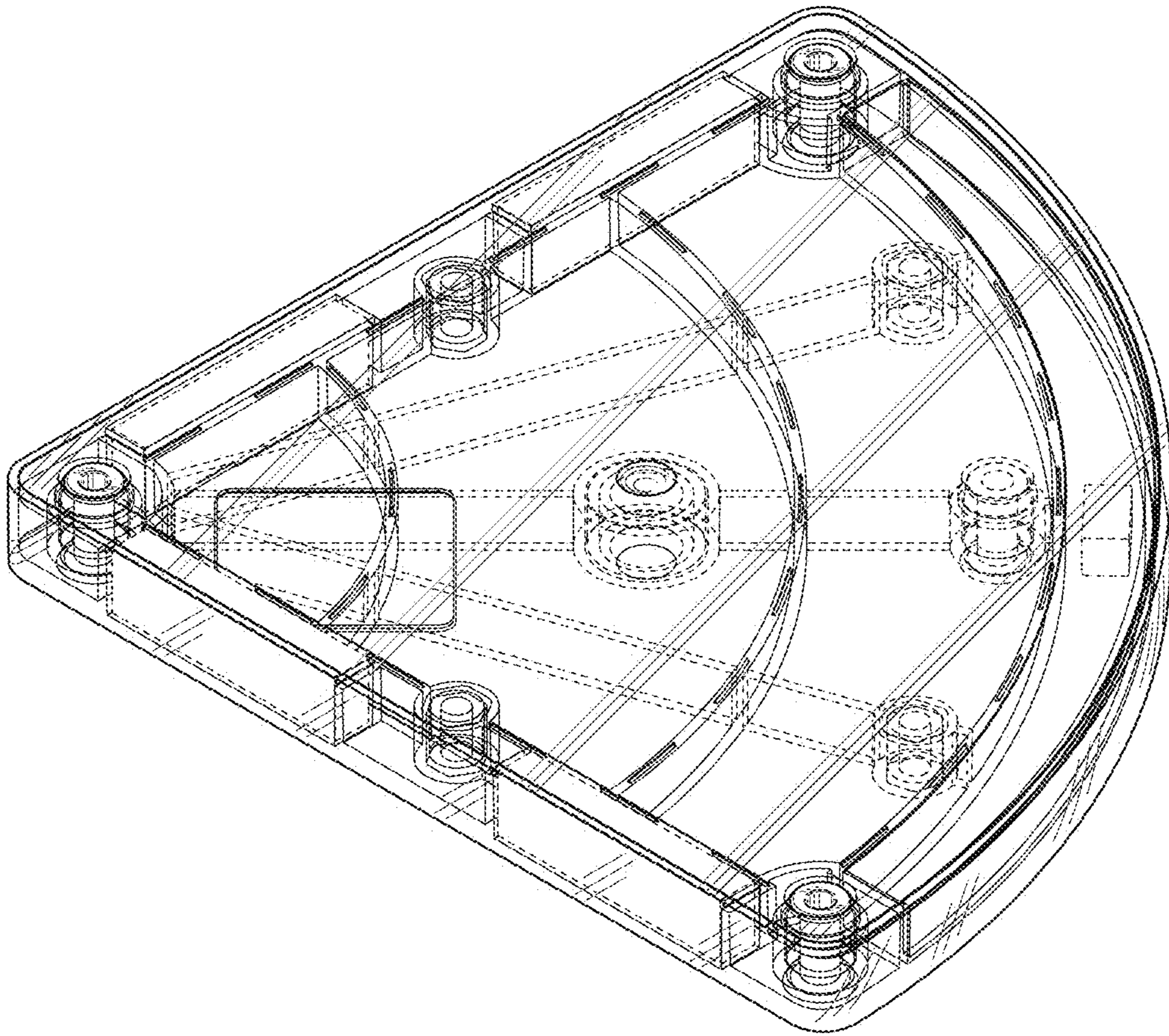


FIG. 7

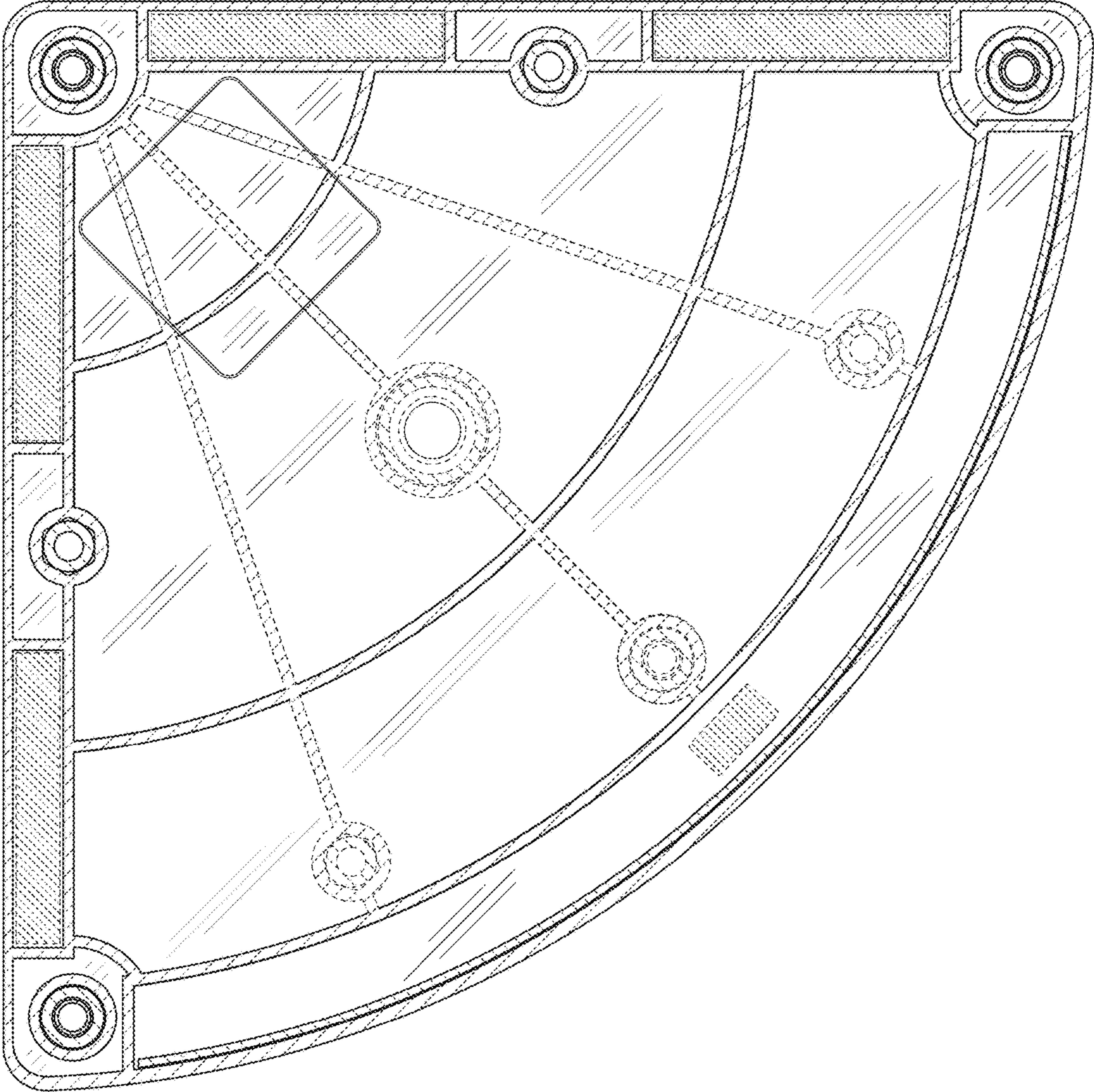


FIG. 8



FIG. 9

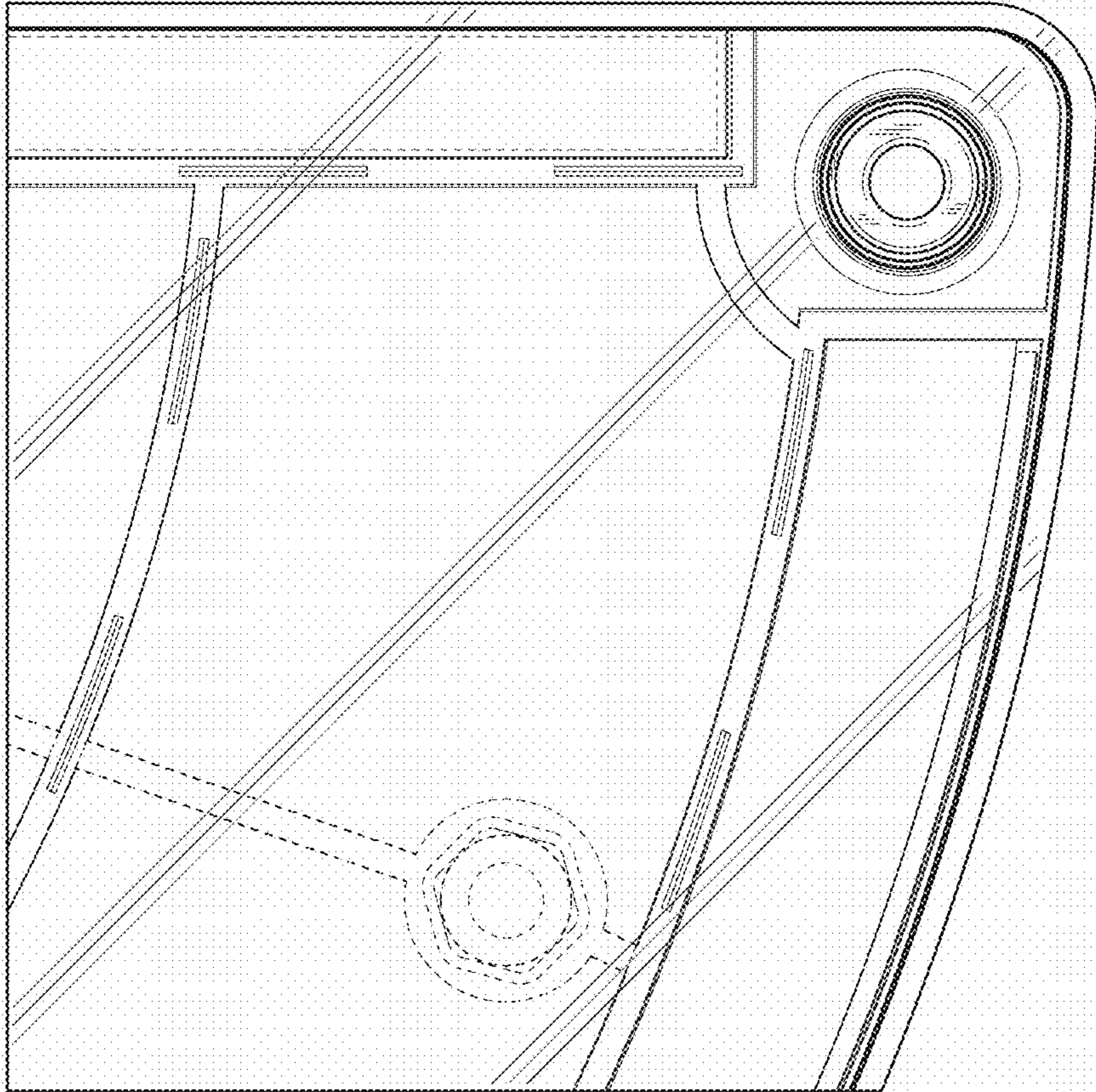


FIG. 10

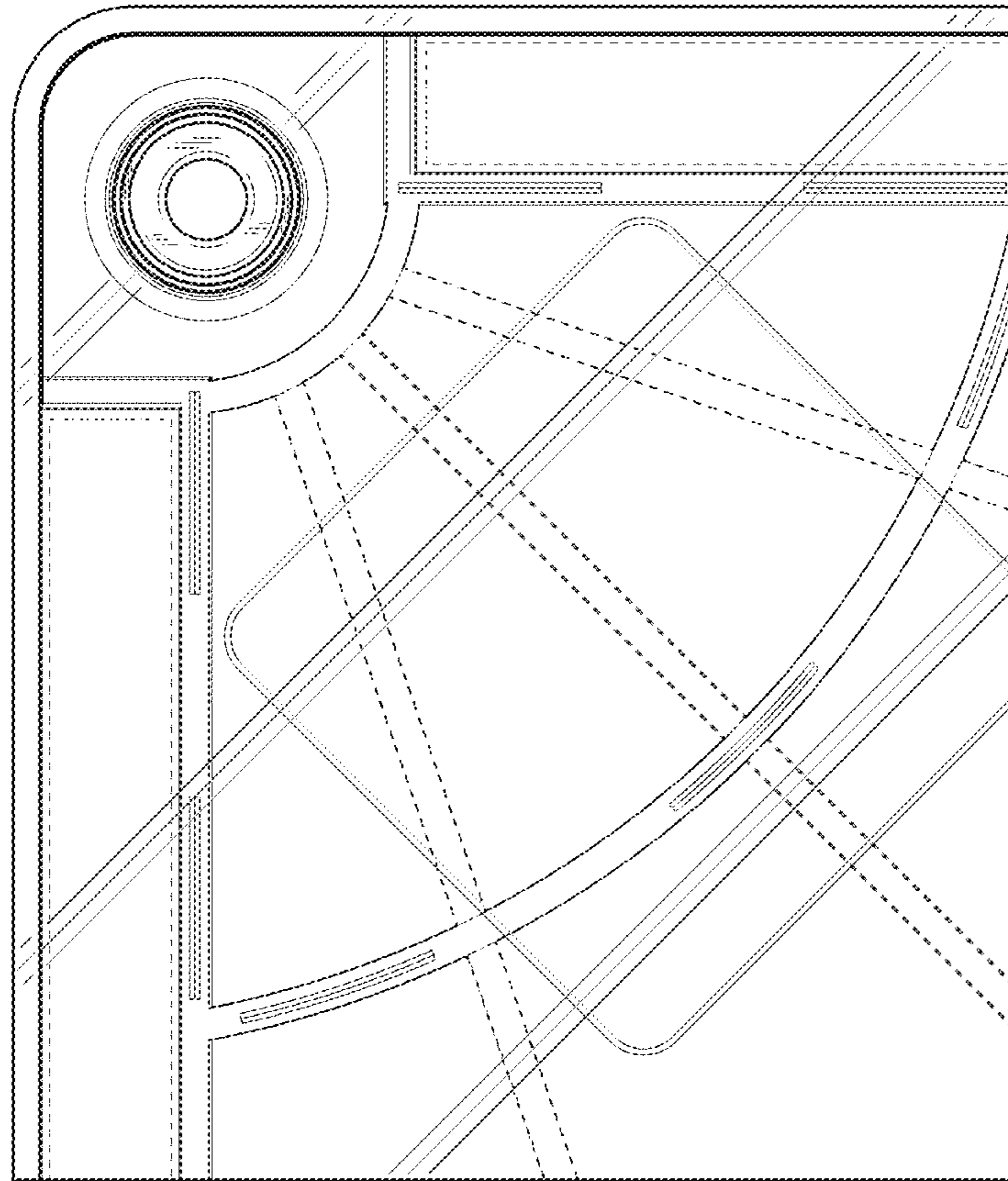


FIG. 11

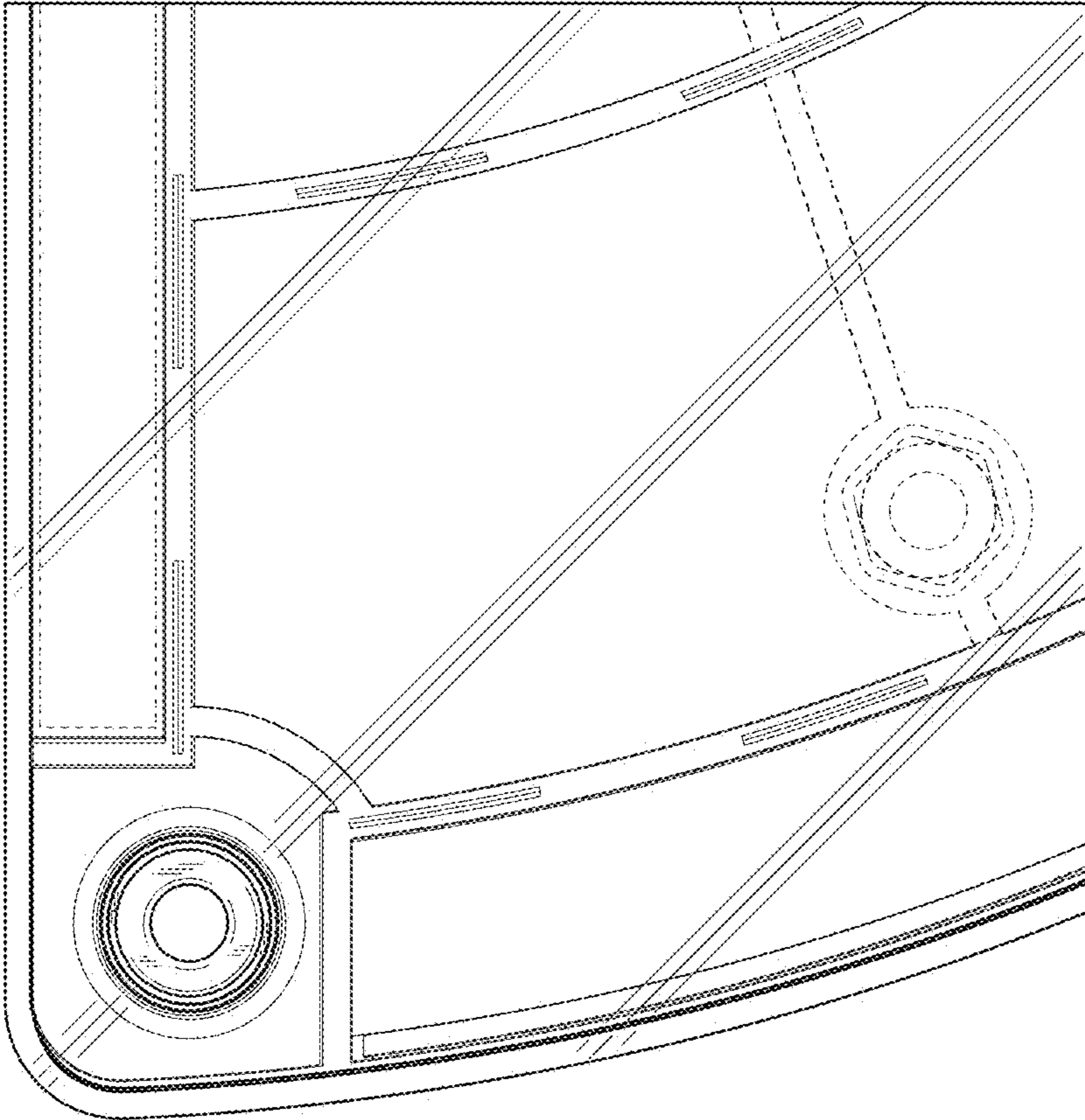


FIG. 12