



US00D894281S

(12) **United States Design Patent**
Wang

(10) **Patent No.:** **US D894,281 S**

(45) **Date of Patent:** **** Aug. 25, 2020**

(54) **GAME CONTROLLER**

(71) Applicant: **Daoyou Wang**, ezhou (CN)

(72) Inventor: **Daoyou Wang**, ezhou (CN)

(**) Term: **15 Years**

(21) Appl. No.: **29/667,396**

(22) Filed: **Oct. 22, 2018**

(51) **LOC (12) Cl.** **21-01**

(52) **U.S. Cl.**
USPC **D21/333**

(58) **Field of Classification Search**
USPC D14/174, 218, 387-389, 400-418,
D14/426-431, 443, 449-450, 454, 471,
D14/511; D21/333, 363, 368
CPC A63F 13/42; A63F 13/98
See application file for complete search history.

(56) **References Cited**

U.S. PATENT DOCUMENTS

D444,469 S *	7/2001	Goto	D14/413
D444,470 S *	7/2001	Goto	D14/415
7,063,321 B2 *	6/2006	Hussaini	A63F 13/06 273/148 B
7,235,012 B2 *	6/2007	DiDato	A63F 13/06 463/38
D715,296 S *	10/2014	Huang	D14/401
D718,818 S *	12/2014	Sumii	D14/401
D727,430 S *	4/2015	Sumii	D14/410
D736,860 S *	8/2015	Lovoi	D14/401
D780,180 S *	2/2017	Ironmonger	D14/401
D780,759 S *	3/2017	Ironmonger	D14/401
D780,760 S *	3/2017	Ironmonger	D14/401
D794,027 S *	8/2017	Ironmonger	D14/401
D816,083 S *	4/2018	Wu	D14/401
2015/0238855 A1 *	8/2015	Uy	G06F 3/0338 463/37

OTHER PUBLICATIONS

Jevogh Switch Pro Controller Wireless: Published Jan. 12, 2019[online], site visited Sep. 25, 2019. Available from Internet URL: https://www.amazon.co.uk/dp/B07QQPL9Y7/ref=cm_sw_r_tw_dp_U_x_Yd8IDb8MTP2J2 (Year: 2019).*
Pro EX Controller for PS3: Published Aug. 31,2010[online], site visited Dec. 16, 2019. Available from Internet URL: https://www.amazon.com/dp/B003VWXXV50/ref=cm_sw_r_tw_dp_U_x_2P79DbR1KWTKT (Year: 2010).*

* cited by examiner

Primary Examiner — Michael C Stout

Assistant Examiner — Melvin L Davis

(74) *Attorney, Agent, or Firm* — Bayramoglu Law Offices LLC

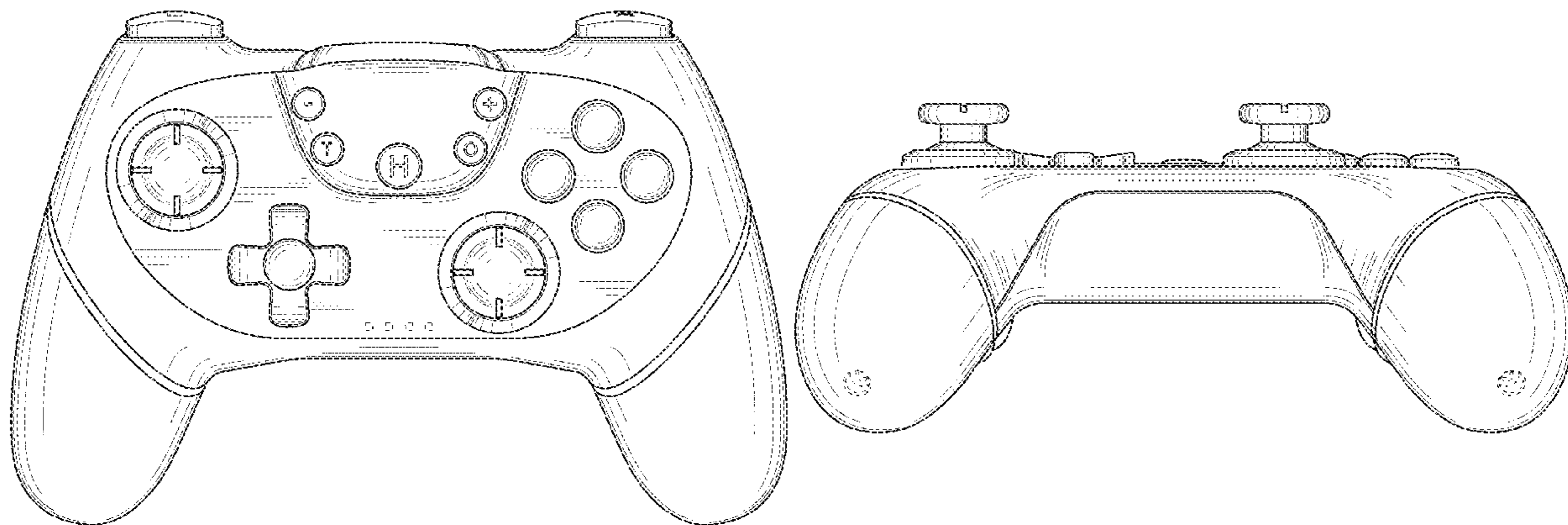
(57) **CLAIM**

The ornamental design for a game controller, as shown and described.

DESCRIPTION

FIG. 1 is a perspective view of a game controller showing my new design;
FIG. 2 is another perspective view thereof;
FIG. 3 is a front view thereof;
FIG. 4 is a rear view thereof;
FIG. 5 is a left side view thereof;
FIG. 6 is a right side view thereof;
FIG. 7 is a bottom view thereof; and,
FIG. 8 is a top view thereof.
The broken lines depict portions of the game controller in which the design is embodied that form no part of the claimed design.

1 Claim, 8 Drawing Sheets



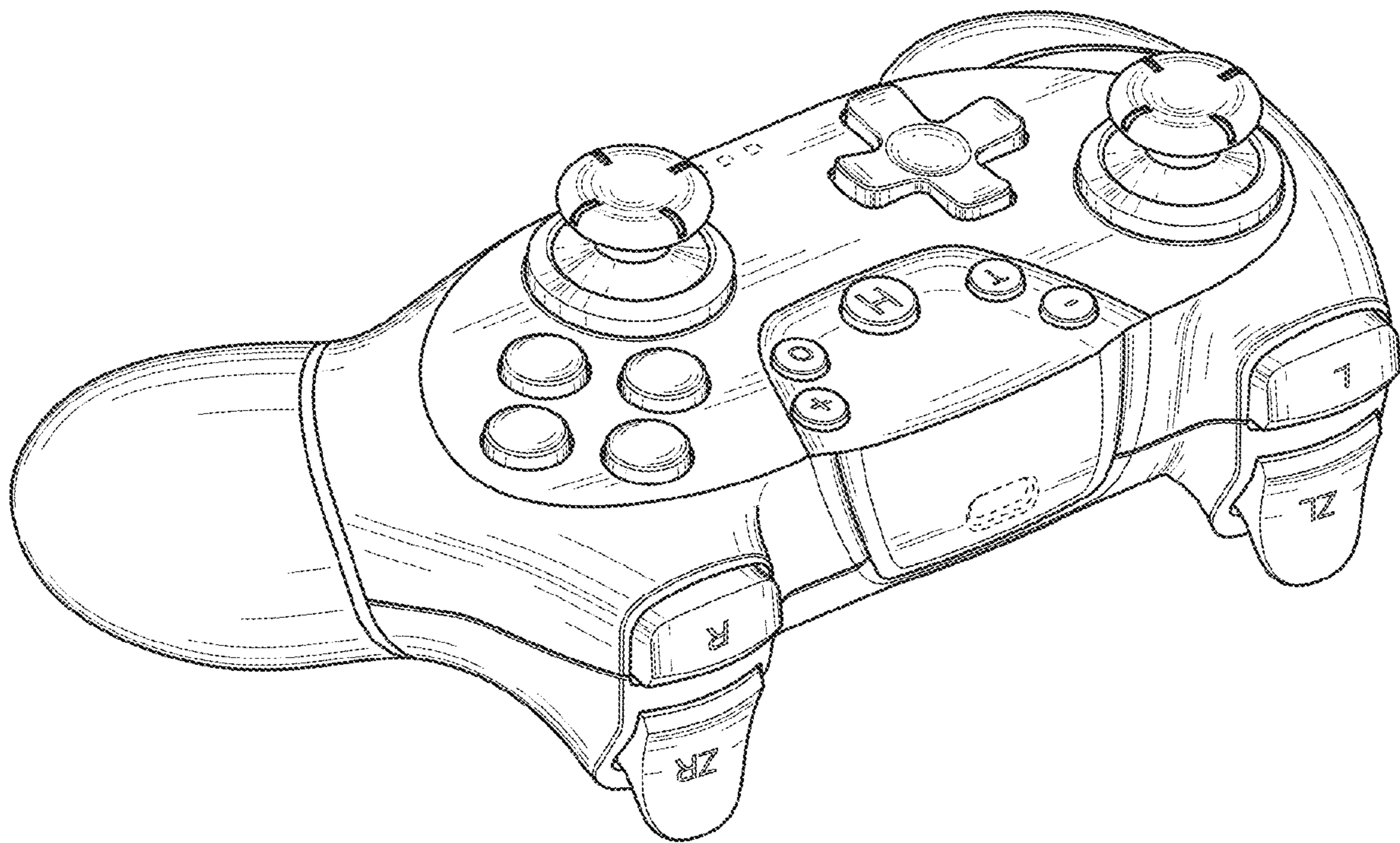


Fig. 1

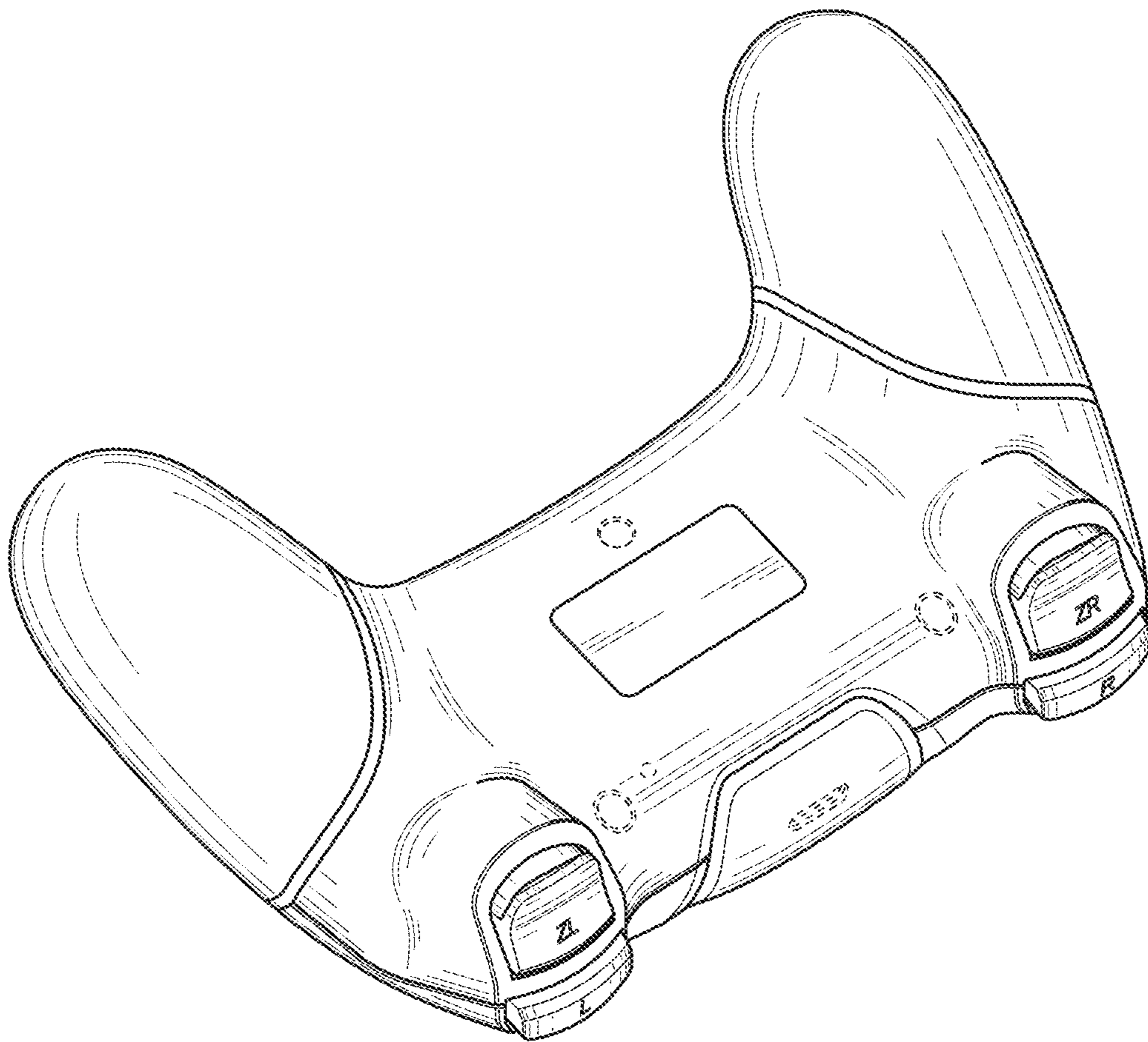


Fig. 2

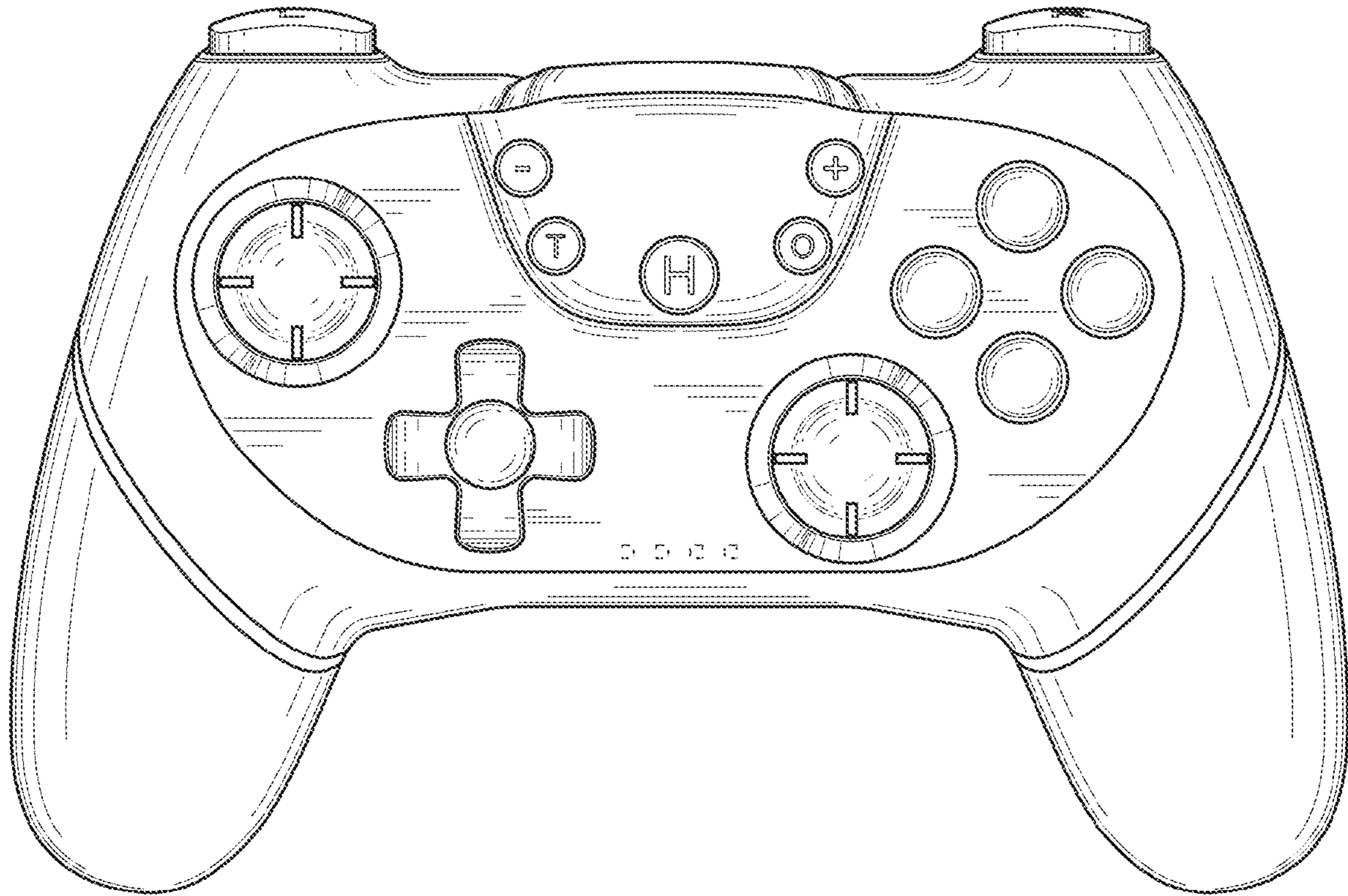


Fig. 3

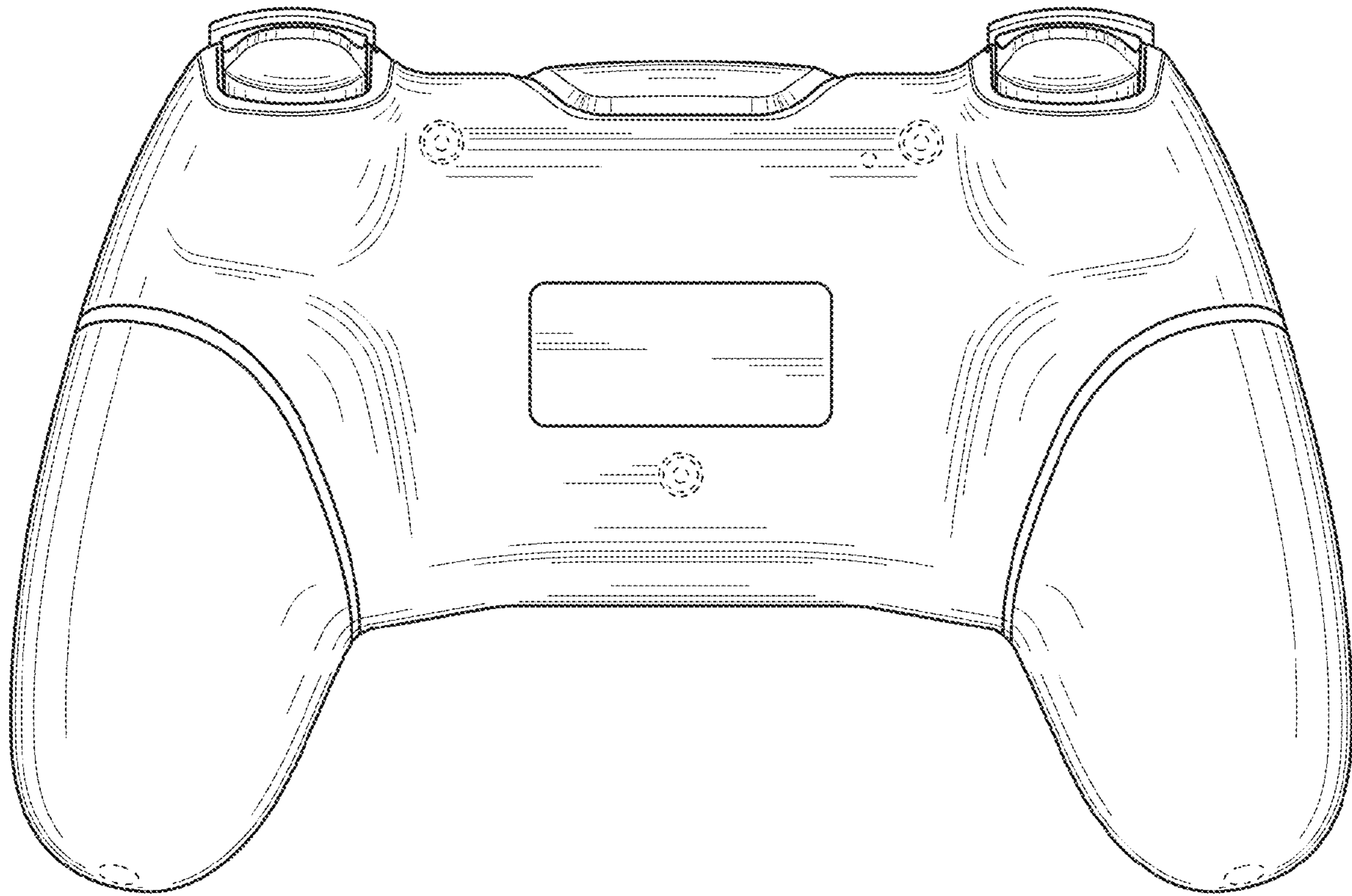


Fig. 4

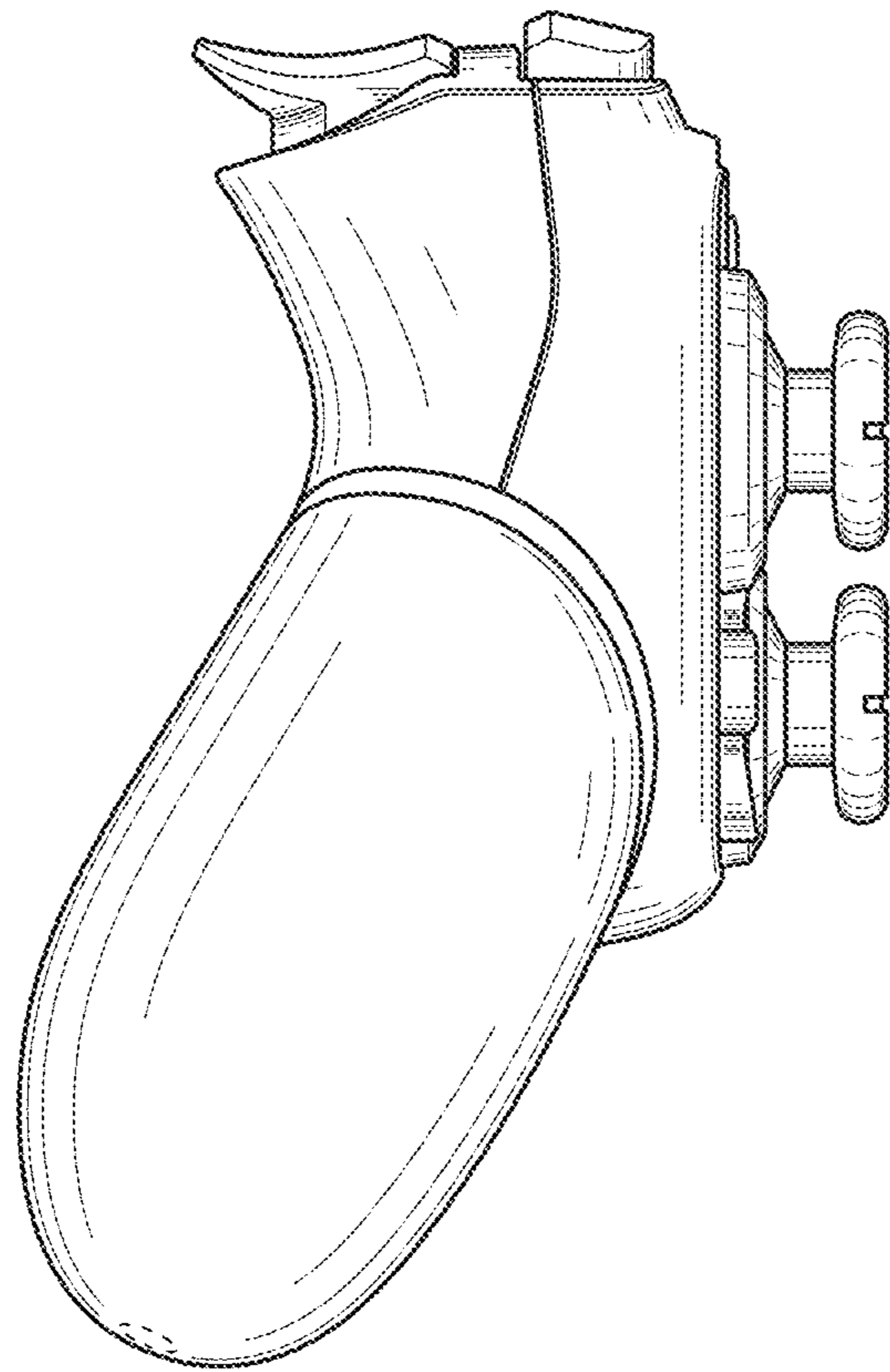


Fig. 5

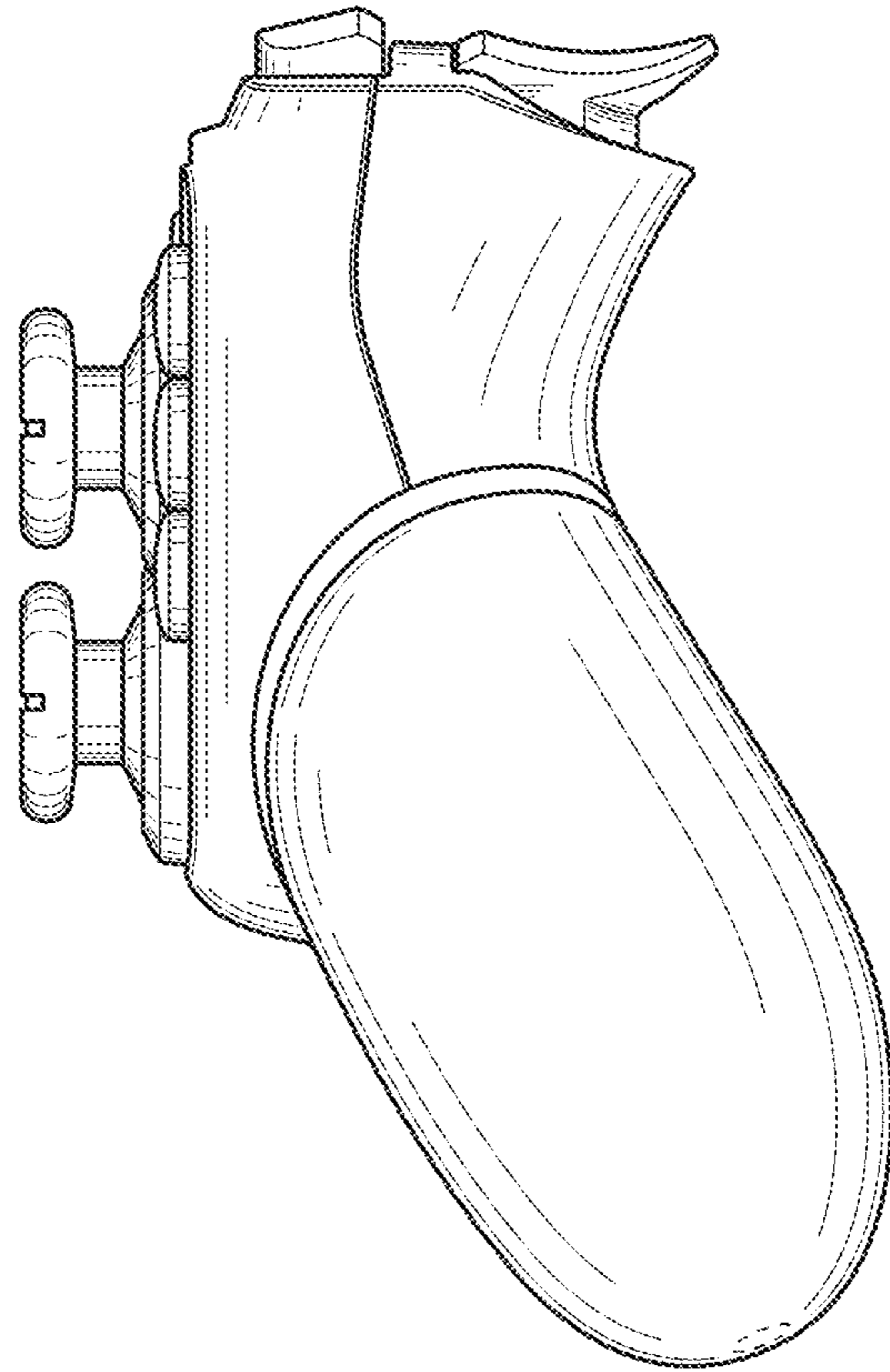


Fig. 6

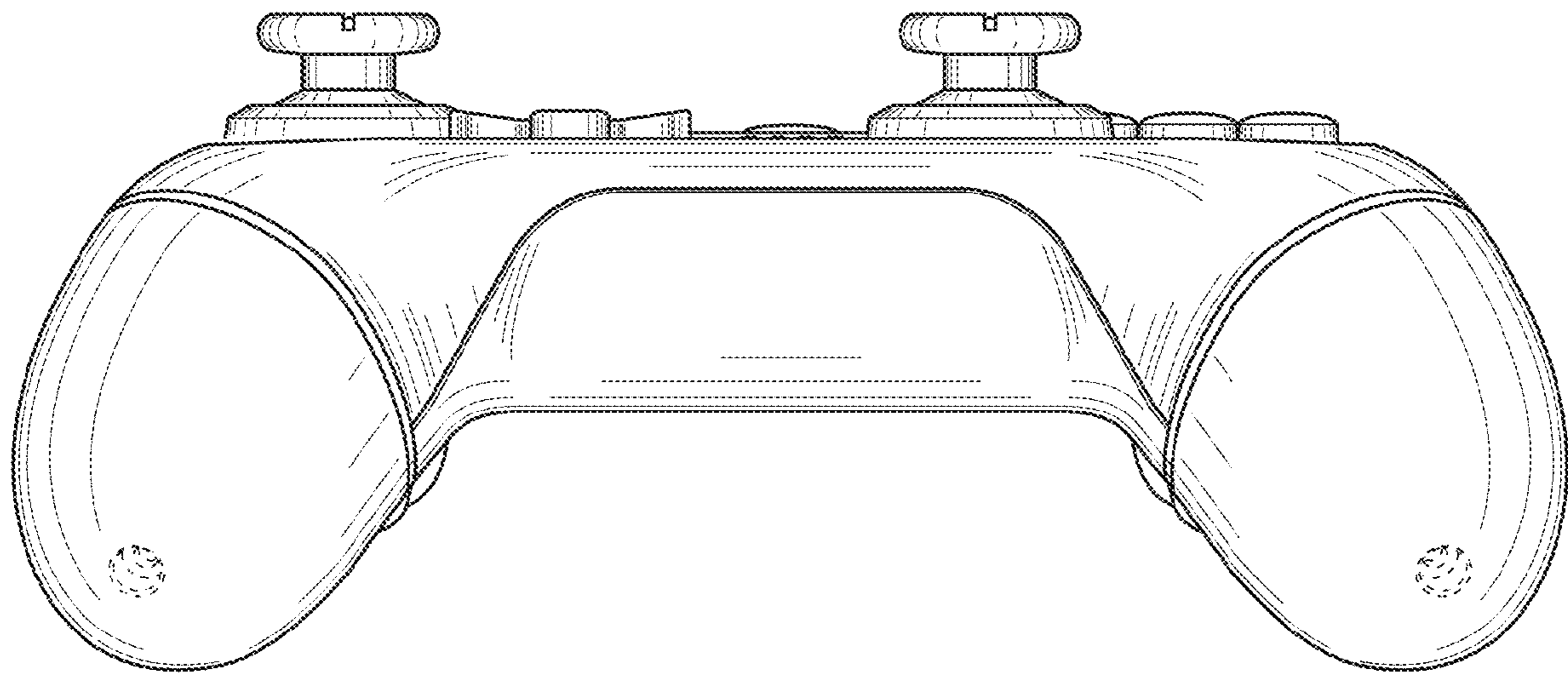


Fig. 7

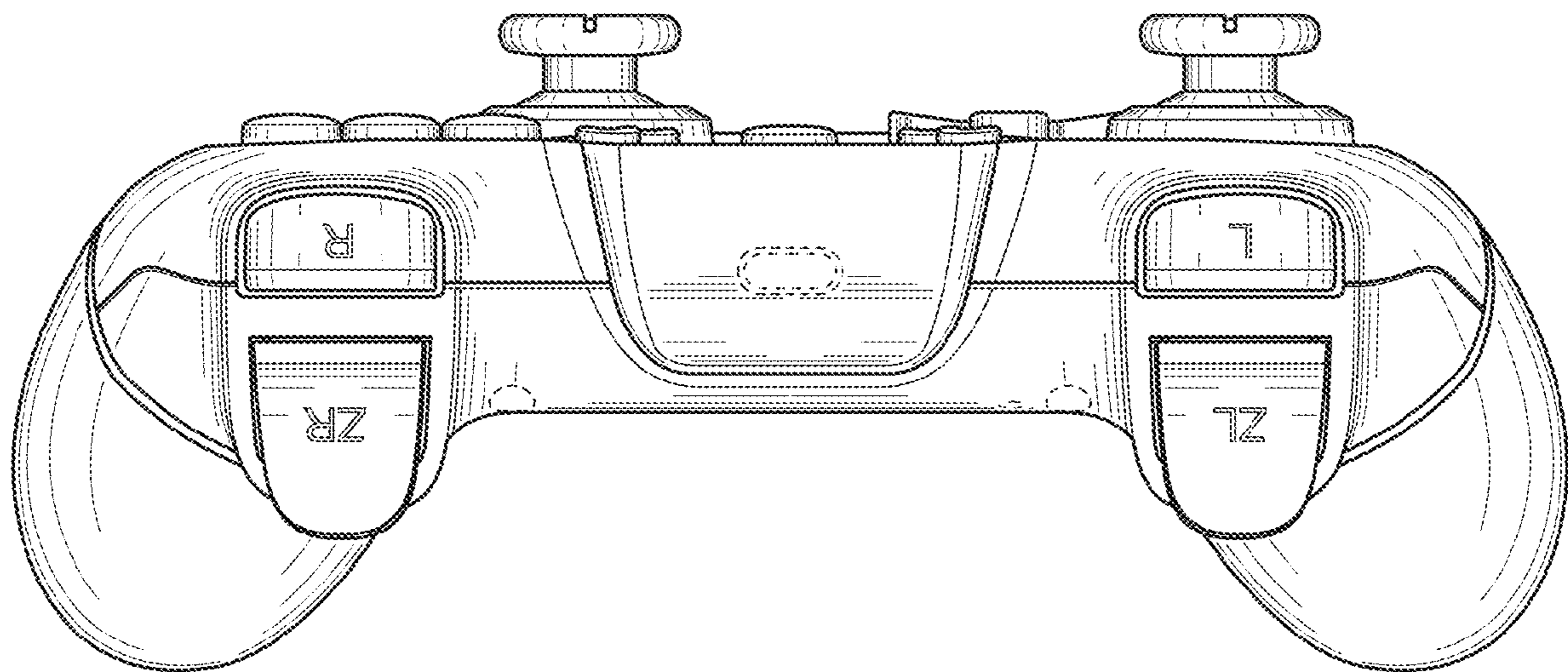


Fig. 8