



US00D894280S

(12) **United States Design Patent** (10) **Patent No.:** **US D894,280 S**  
**Ehara et al.** (45) **Date of Patent:** **\*\* Aug. 25, 2020**

(54) **COMPUTER**

(71) Applicant: **Nintendo Co., Ltd.**, Kyoto (JP)  
 (72) Inventors: **Yui Ehara**, Kyoto (JP); **Yuko Zenri**,  
 Kyoto (JP); **Junichiro Miyatake**, Kyoto  
 (JP); **Tetsuya Akama**, Kyoto (JP);  
**Hitoshi Tsuchiya**, Kyoto (JP)

(73) Assignee: **Nintendo Co., Ltd.**, Kyoto (JP)

(\*\*) Term: **15 Years**

(21) Appl. No.: **29/645,440**

(22) Filed: **Apr. 26, 2018**

**Related U.S. Application Data**

(62) Division of application No. 29/595,213, filed on Feb. 27, 2017, now Pat. No. Des. 819,696.

**Foreign Application Priority Data**

Aug. 30, 2016 (JP) ..... 2016-018388  
 Aug. 30, 2016 (JP) ..... 2016-018389  
 Aug. 30, 2016 (JP) ..... 2016-018390

(51) **LOC (12) Cl.** ..... **21-01**

(52) **U.S. Cl.**  
USPC ..... **D21/331**

(58) **Field of Classification Search**

USPC ..... D21/324-333, 341, 342, 349, 386;  
 D14/203, 203.7, 218, 250, 299, 322, 341,  
 D14/345, 346, 353, 354, 374, 375, 376,  
 D14/324-333, 342, 349, 386, 421, 432,  
 D14/440, 443, 463, 496, 507  
 CPC ..... A45C 13/00; A45C 13/001; A45C 13/002;  
 A63F 13/10; A63F 13/98; A63F 13/24;  
 A63F 9/0291; A63F 13/06; A63F  
 2300/204; A63F 13/92; H04N 5/232

See application file for complete search history.

(56) **References Cited**

U.S. PATENT DOCUMENTS

D265,326 S \* 7/1982 Sugiyama ..... D21/331  
 D320,624 S \* 10/1991 Taylor ..... D21/331  
 D328,474 S \* 8/1992 Chen ..... D21/331  
 6,042,478 A 3/2000 Ng  
 D529,493 S 10/2006 Ogasawara

(Continued)

OTHER PUBLICATIONS

“7 things the Nintendo Switch does”, posted Oct. 20, 2016 [online], [retrieved Jan. 2, 2020]. Retrieved from internet, <https://www.youtube.com/watch?v=jPude3R45co>.\*

(Continued)

*Primary Examiner* — Sandra S Snapp

*Assistant Examiner* — Mehri Bajoul

(74) *Attorney, Agent, or Firm* — Nixon & Vanderhye PC

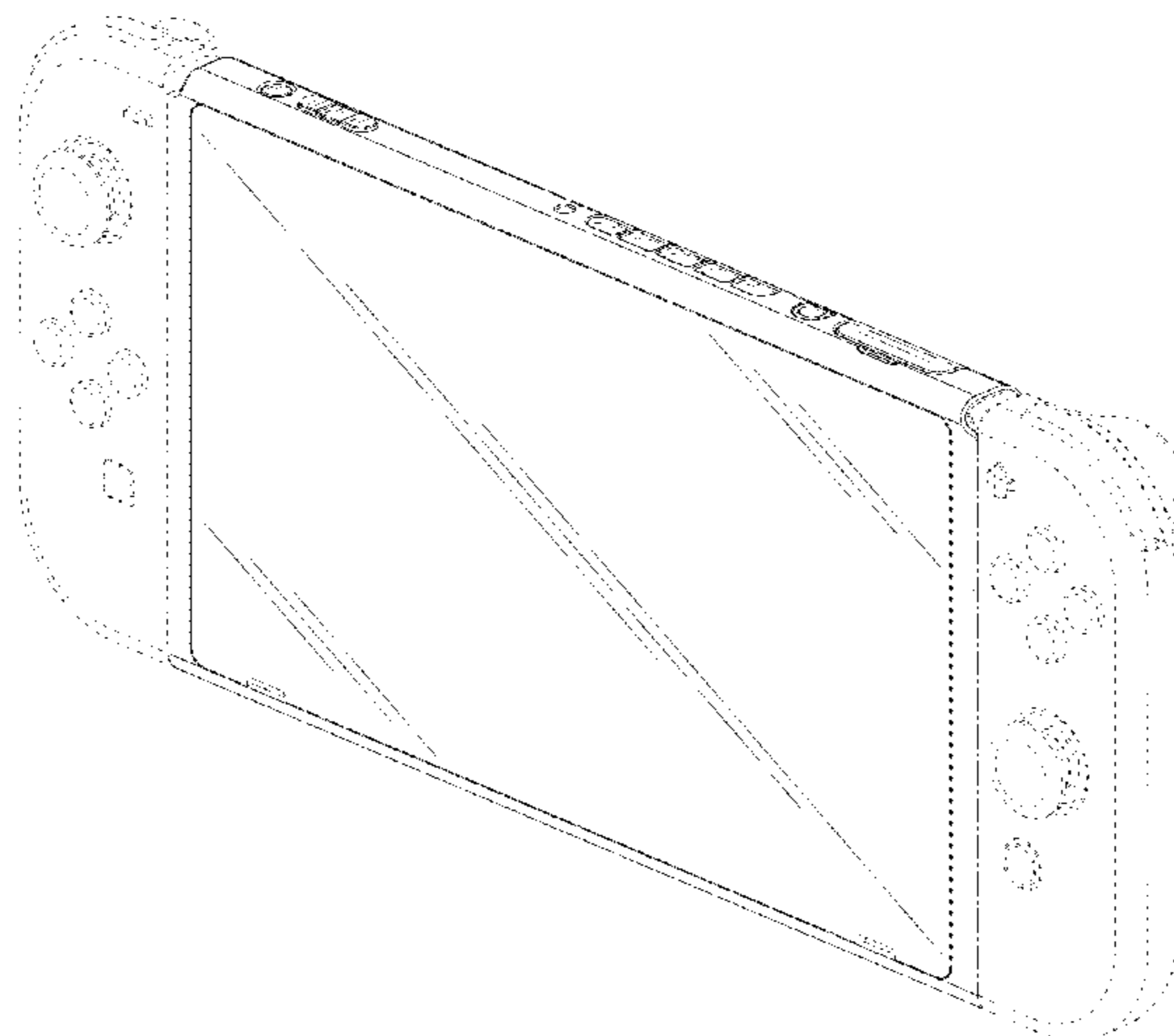
(57) **CLAIM**

The ornamental design for a computer, as shown and described.

**DESCRIPTION**

FIG. 1 is a front side perspective view of a computer showing our new design;  
 FIG. 2 is a back side perspective view thereof;  
 FIG. 3 is a front view thereof;  
 FIG. 4 is a back view thereof;  
 FIG. 5 is a top view thereof;  
 FIG. 6 is a bottom view thereof;  
 FIG. 7 is a right view thereof;  
 FIG. 8 is a left view thereof; and,  
 FIG. 9 is a back side perspective view setting a stand thereof.  
 The dash-dash broken lines show portions of the computer that form no part of the claimed design.  
 The dash-dot broken lines depict the boundary of the claim and form no part of the claimed design.

**1 Claim, 7 Drawing Sheets**



(56)

References Cited

U.S. PATENT DOCUMENTS

7,711,397 B2 5/2010 Kim  
 D619,989 S \* 7/2010 Huang ..... D14/138 AD  
 D619,991 S \* 7/2010 Huang ..... D14/138 G  
 D620,056 S 7/2010 Yano  
 D638,374 S 5/2011 Corcoran  
 D650,447 S \* 12/2011 Ehara ..... D21/330  
 8,105,169 B2 1/2012 Ogasawara  
 D657,823 S \* 4/2012 Gutowski ..... D21/325  
 D664,601 S 7/2012 Sogabe  
 D681,127 S \* 4/2013 Ashida ..... D21/328  
 D681,128 S \* 4/2013 Ashida ..... D14/401  
 D686,669 S \* 7/2013 Ashida ..... D21/328  
 D689,138 S \* 9/2013 Ashida ..... D21/332  
 D691,663 S \* 10/2013 Ashida ..... D21/332  
 D692,882 S 11/2013 Lakraa  
 D697,139 S \* 1/2014 Sugino ..... D14/345  
 D720,342 S 12/2014 Starrett  
 D736,959 S 8/2015 Edgar  
 D740,885 S 10/2015 Nokuo  
 D741,952 S 10/2015 Nokuo  
 D745,606 S \* 12/2015 Ehara ..... D21/330  
 D819,696 S \* 6/2018 Ehara ..... D14/496  
 10,434,424 B2 \* 10/2019 Miwa ..... A63F 13/22  
 10,441,883 B2 \* 10/2019 Mizuta ..... A63F 13/211  
 10,456,665 B2 \* 10/2019 Mizuta ..... G07F 17/3218

D867,365 S \* 11/2019 Corigliano ..... D14/401  
 D868,052 S \* 11/2019 Jia ..... D14/250  
 10,471,346 B2 \* 11/2019 Yamashita ..... A63F 13/25  
 10,481,702 B2 \* 11/2019 Hirose ..... G06F 3/0338  
 10,482,657 B2 \* 11/2019 Kitazono ..... A63F 13/25  
 D868,790 S \* 12/2019 Weng ..... D14/440  
 10,500,495 B2 \* 12/2019 Gohara ..... A63F 13/54  
 10,512,842 B2 \* 12/2019 Okamura ..... G06F 12/08  
 10,516,280 B2 \* 12/2019 Tamaki ..... G06F 1/1671  
 10,518,171 B2 \* 12/2019 Akifusa ..... A63F 13/25  
 2012/0320503 A1 \* 12/2012 Yturralde ..... G06F 1/1628  
 361/679.01  
 2015/0280768 A1 10/2015 Huang  
 2019/0351320 A1 \* 11/2019 Koizumi ..... A63F 13/2145  
 2019/0358533 A1 \* 11/2019 Takei ..... A63F 13/235  
 2019/0358534 A1 \* 11/2019 Fang ..... A63F 13/24  
 2019/0366211 A1 \* 12/2019 Suzuki ..... A63F 13/98  
 2019/0374852 A1 \* 12/2019 Sakaguchi ..... A63F 13/98

OTHER PUBLICATIONS

“Nintendo Switch”, posted May 22, 2018 [online], [retrieved Jan. 2, 2020]. Retrieved from internet, [https://www.youtube.com/watch?v=qB\\_u2BDaU9U](https://www.youtube.com/watch?v=qB_u2BDaU9U).  
 Design U.S. Appl. No. 29/595,213, filed Feb. 27, 2017, Ehara et al.  
 Design U.S. Appl. No. 29/645,459, filed Apr. 26, 2018, Ehara et al.

\* cited by examiner

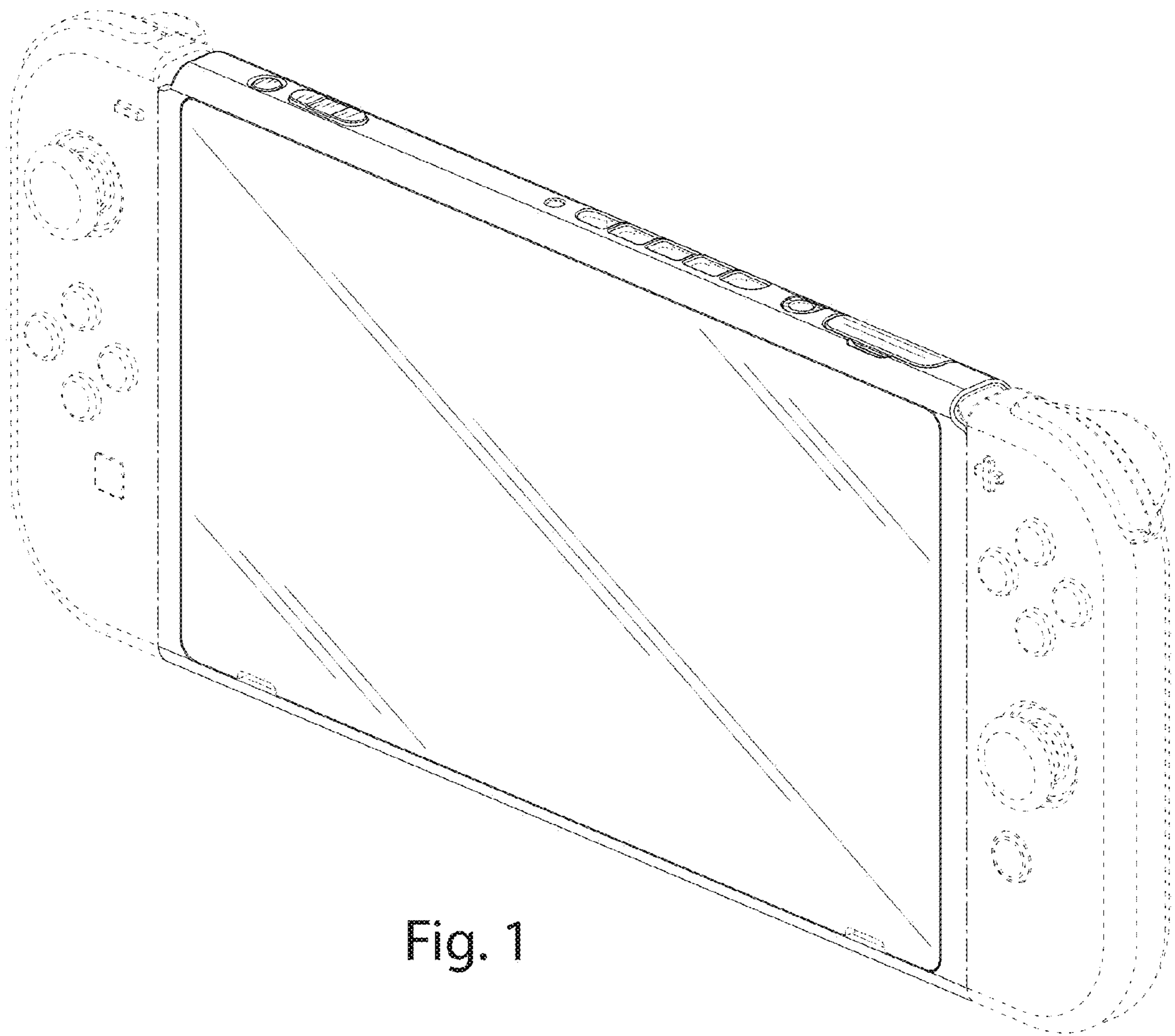


Fig. 1

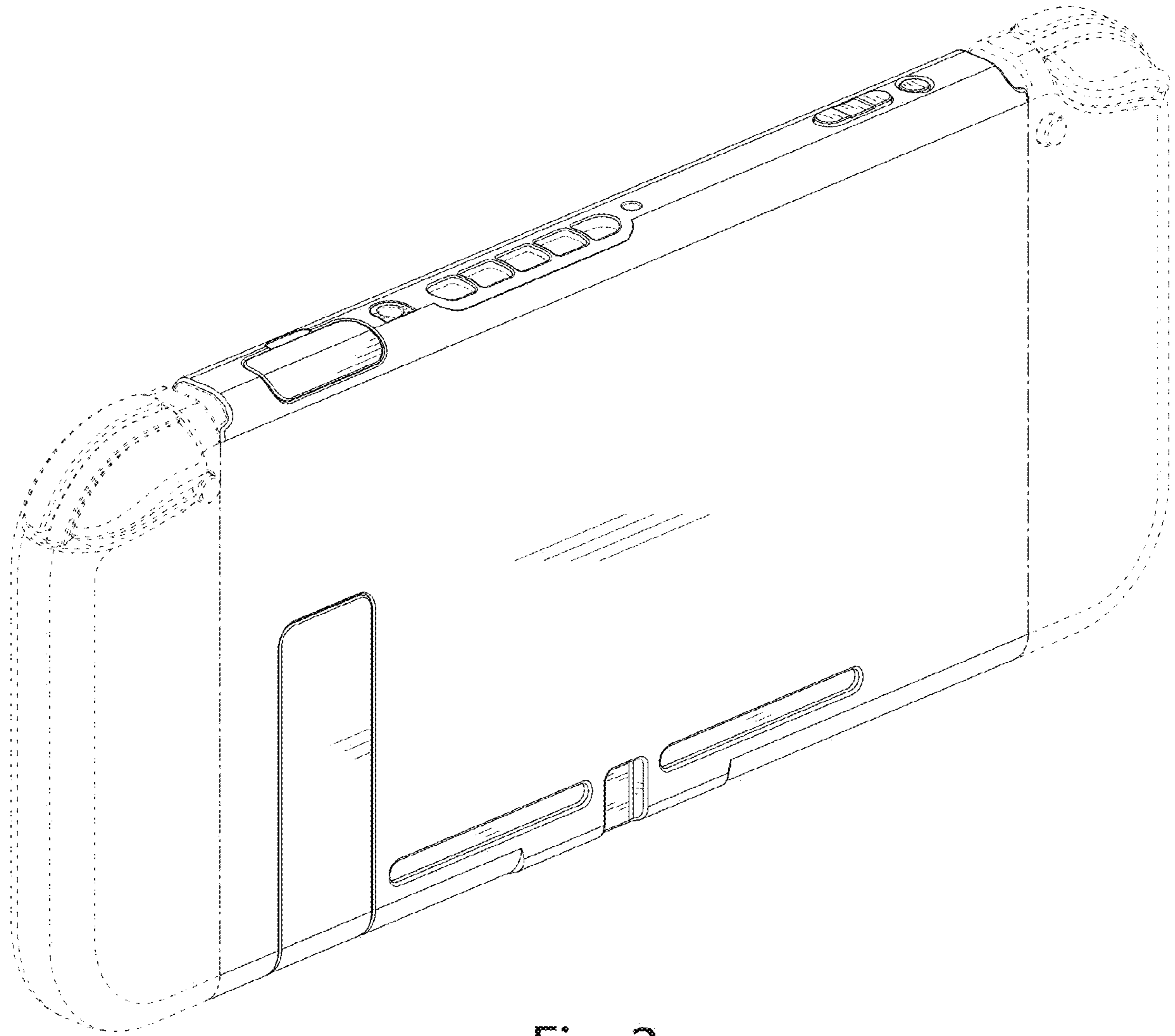


Fig. 2



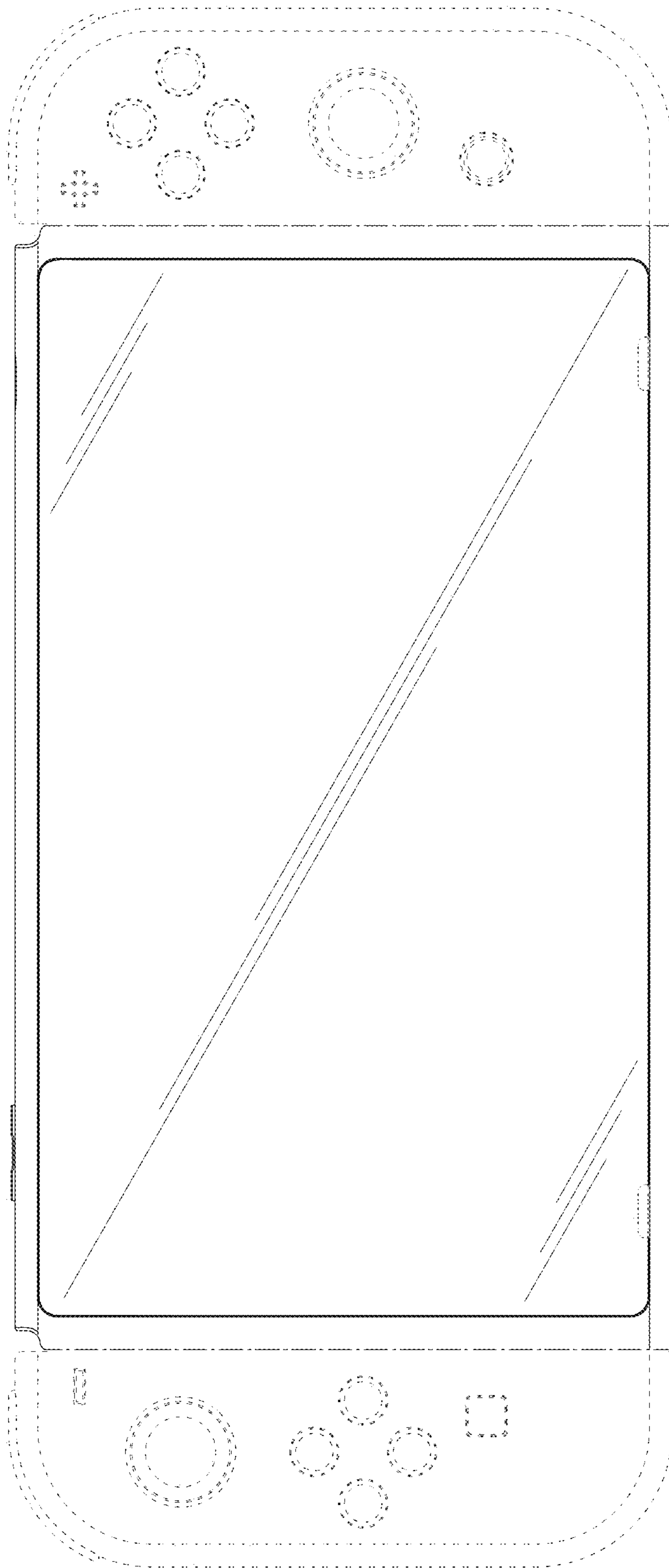


Fig. 3

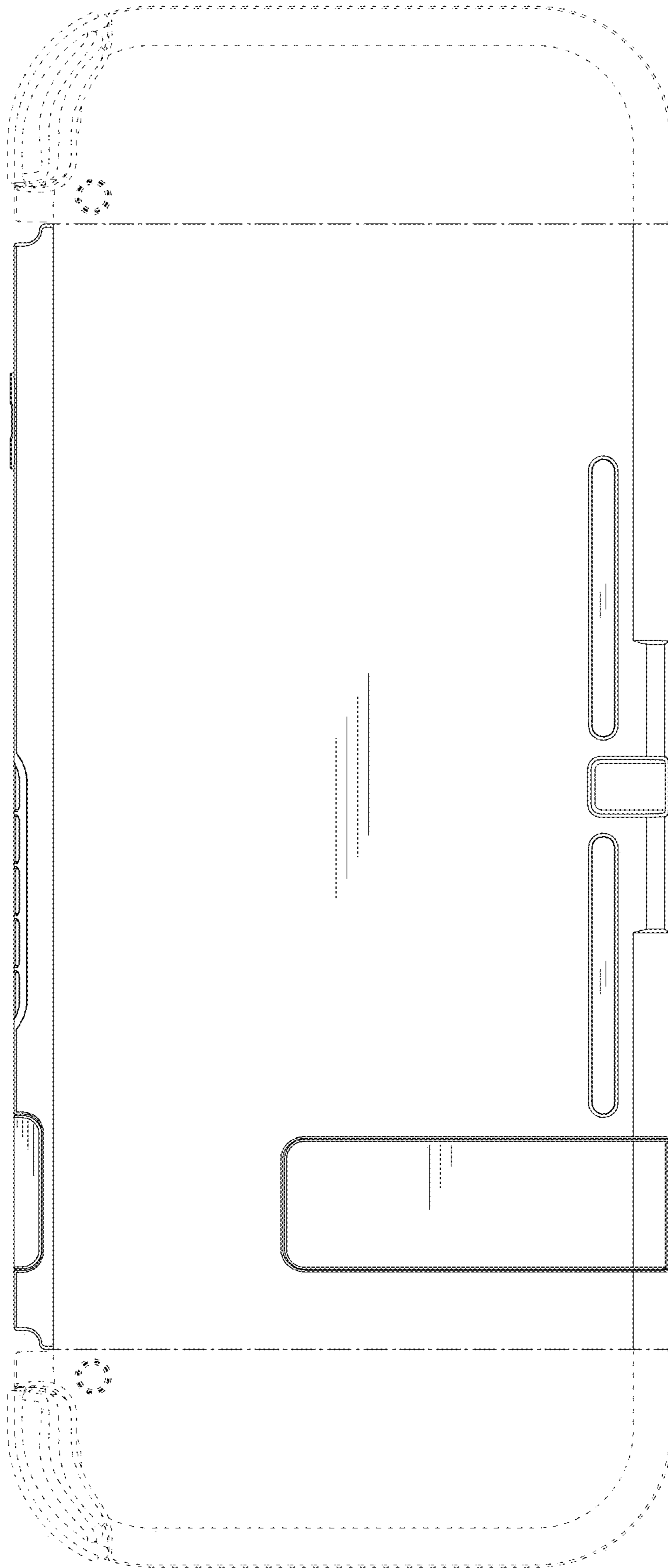


Fig. 4



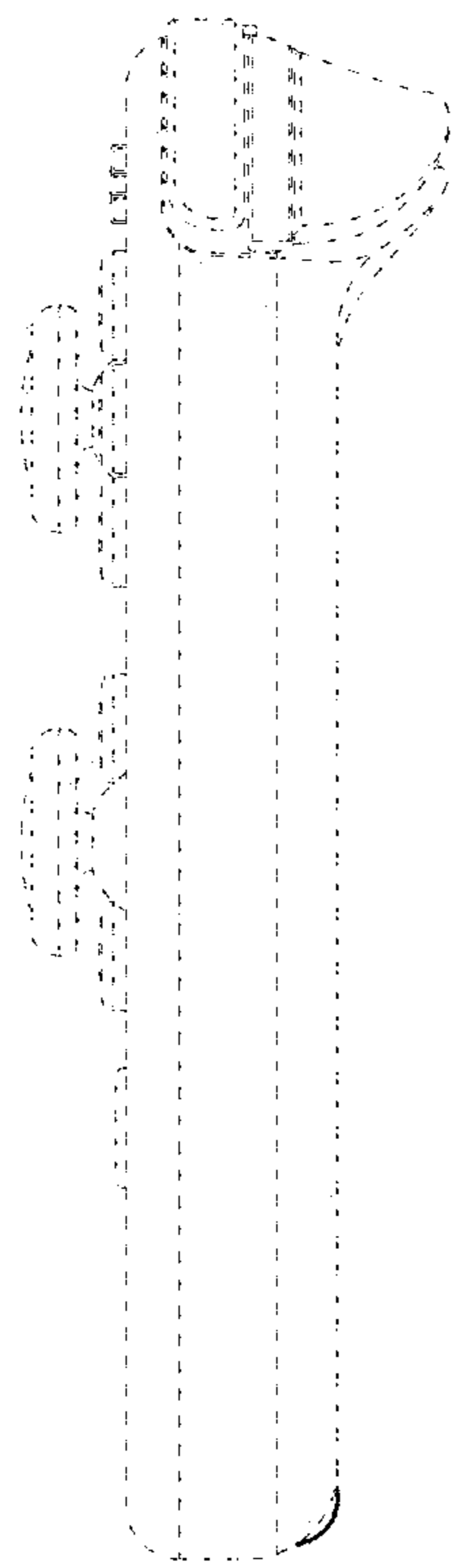


Fig. 7

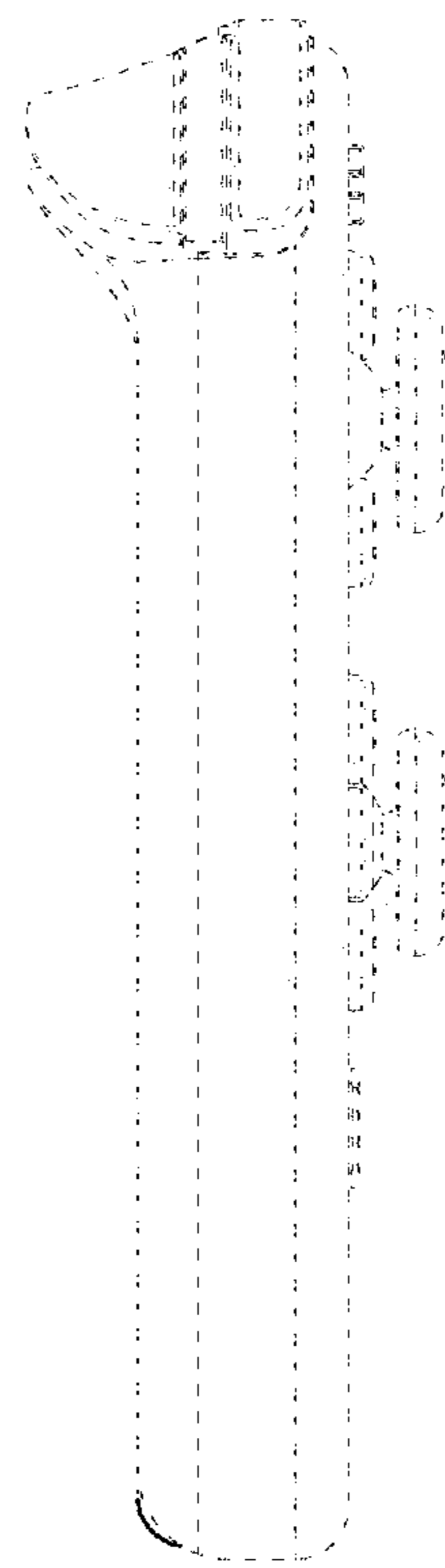


Fig. 8



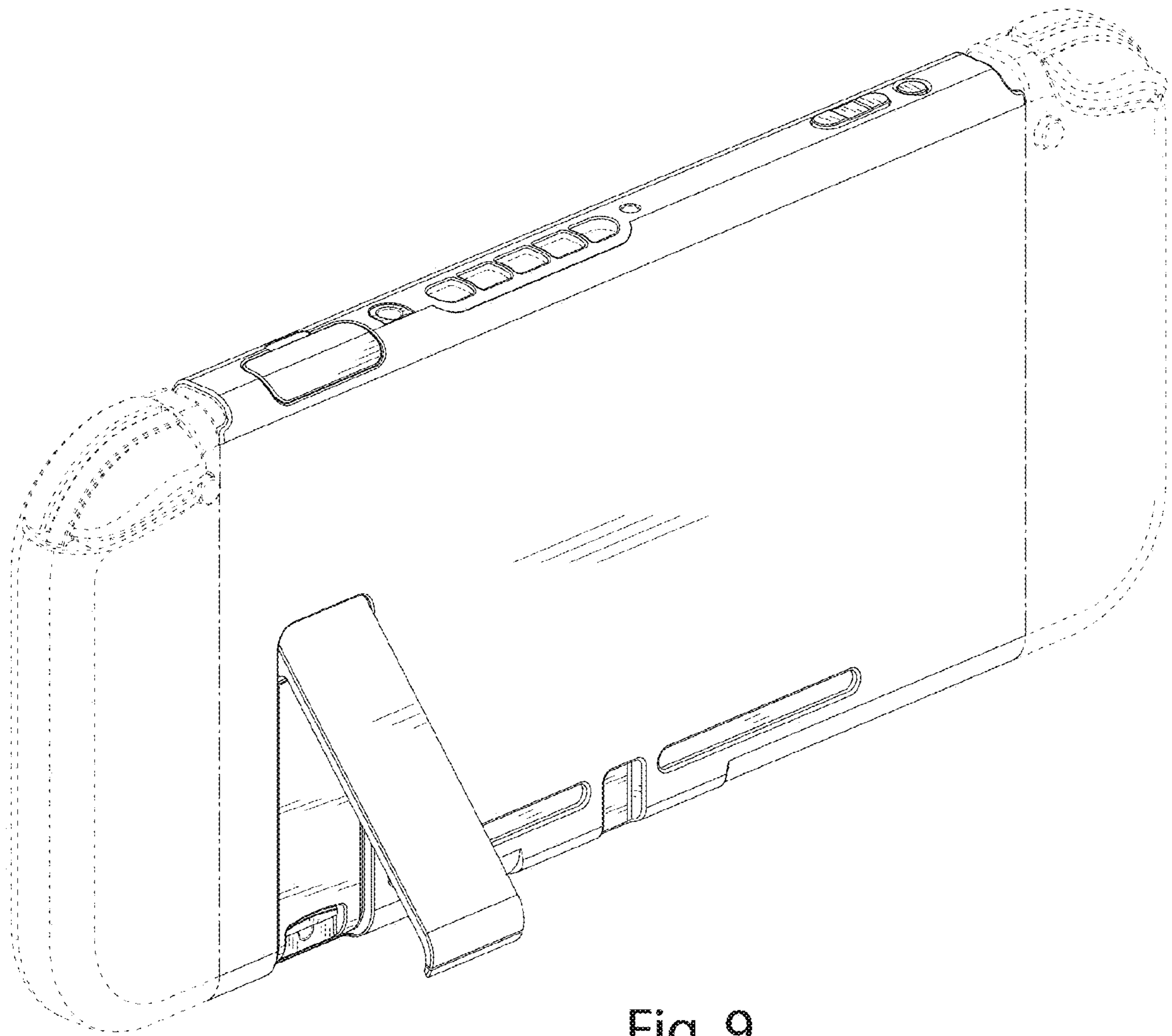


Fig. 9