

US00D894278S

(12) **United States Design Patent** (10) **Patent No.:** **US D894,278 S**  
**Fruchet** (45) **Date of Patent:** **\*\* Aug. 25, 2020**

(54) **WRITING INSTRUMENT CAP**

(71) Applicant: **Europe Brands Sarl**, Luxembourg (LU)

(72) Inventor: **Pascal Fruchet**, Nantes (FR)

(73) Assignee: **Europe Brands Sarl**, Luxembourg (LU)

(\*\*) Term: **15 Years**

(21) Appl. No.: **29/695,297**

(22) Filed: **Jun. 18, 2019**

(30) **Foreign Application Priority Data**

Jun. 18, 2019 (EP) ..... 006585212

(51) **LOC (12) Cl.** ..... **19-06**

(52) **U.S. Cl.**  
USPC ..... **D19/195; D19/932**

(58) **Field of Classification Search**  
USPC ..... **D19/115-204; D14/411**  
(Continued)

(56) **References Cited**

**U.S. PATENT DOCUMENTS**

D212,866 S \* 12/1968 Perraud ..... D19/167  
D221,265 S \* 7/1971 Wakai ..... D19/168  
(Continued)

**OTHER PUBLICATIONS**

Photographs of pens, (2 pages). All are Waterman pens: top 3 are Expert line next 3 are Kultur line bottom on first page also Kultur line p. 2 Kultur line.

*Primary Examiner* — Elizabeth A. Albert  
(74) *Attorney, Agent, or Firm* — Eversheds Sutherland (US) LLP

(57) **CLAIM**

I claim the ornamental design for a writing instrument cap, as shown and described.

**DESCRIPTION**

FIG. 1 is an upper perspective view showing my new design for a writing instrument cap.

FIG. 2 is a lower perspective view showing the design of FIG. 1.

FIG. 3 is a first side view showing the design of FIG. 1.

FIG. 4 is a second side view showing the design of FIG. 1.

FIG. 5 is a third side view showing the design of FIG. 1.

FIG. 6 is a fourth side view showing the design of FIG. 1.

FIG. 7 is a top view showing the design of FIG. 1.

FIG. 8 is a bottom view showing the design of FIG. 1.

FIG. 9 is another upper perspective view showing the design of FIG. 1.

FIG. 10 is another lower perspective view of FIG. 9.

FIG. 11 is a first side view showing the design of FIG. 9.

FIG. 12 is a second side view showing the design of FIG. 9.

FIG. 13 is a third side view showing the design of FIG. 9.

FIG. 14 is a fourth side view showing the design of FIG. 9.

FIG. 15 is a top view showing the design of FIG. 9.

FIG. 16 is a bottom view showing the design of FIG. 9.

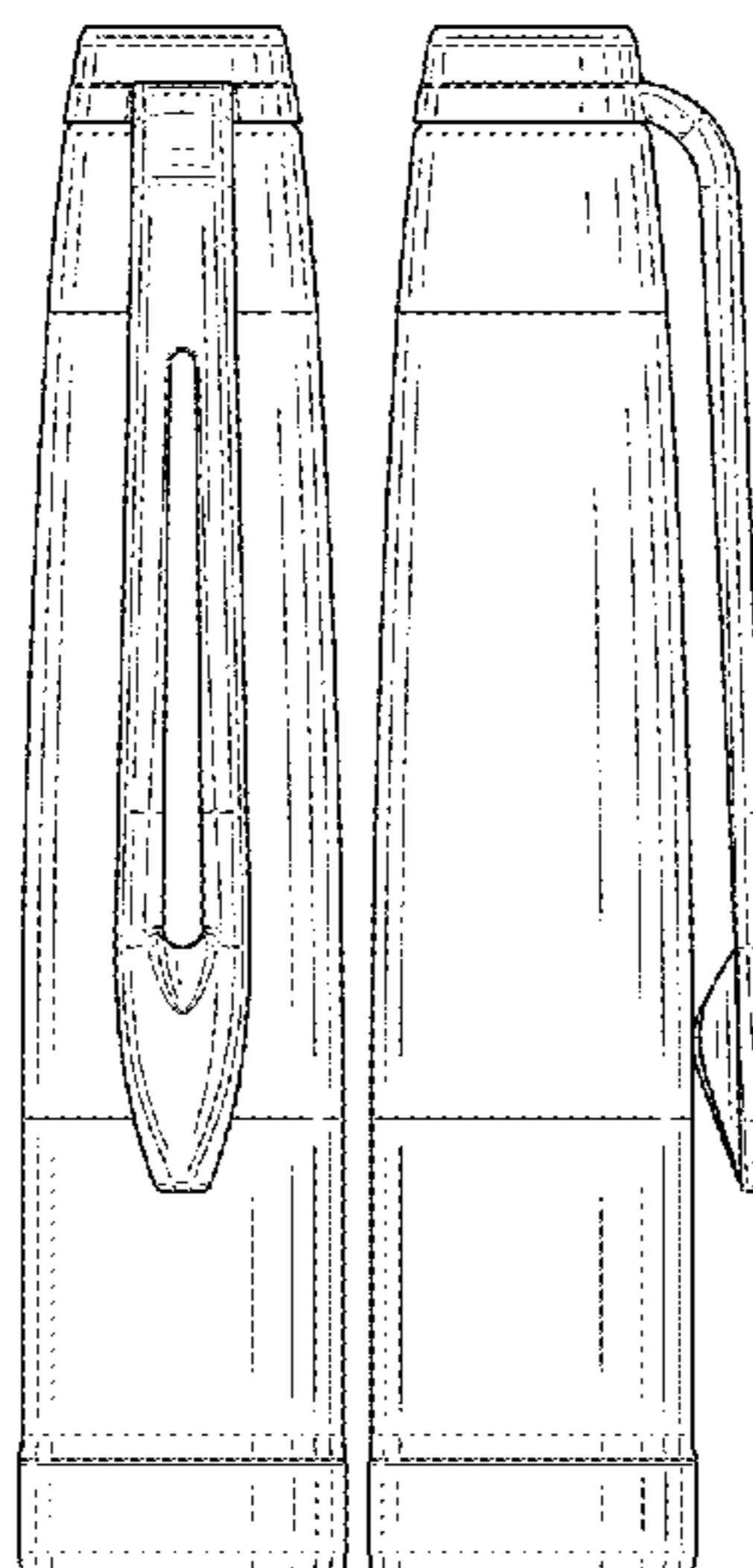
FIG. 17 is a side view showing the design of FIG. 9 with the writing instrument having the cap positioned over the end opposite the writing end, wherein the writing end of the writing instrument is in accordance with a first embodiment.

FIG. 18 is a side view showing the design of FIG. 9 with the writing instrument having the cap positioned over the end opposite the writing end, wherein the writing end of the writing instrument is in accordance with a second embodiment; and,

FIG. 19 is a side view showing the design of FIG. 9 with the writing instrument having the cap positioned over the end opposite the writing end, wherein the writing end of the writing instrument is in accordance with a third embodiment.

The broken lines in FIGS. 8-14 and 16 are for the purpose of showing environment and form no part of the claimed design.

**1 Claim, 11 Drawing Sheets**



- (58) **Field of Classification Search**  
 CPC . B43K 5/005; B43K 7/12; B43K 8/04; B43K  
 8/06; B43K 21/006; B43K 21/06  
 See application file for complete search history.

(56) **References Cited**

U.S. PATENT DOCUMENTS

D234,471 S *	3/1975	Carre .....	D19/168
D254,912 S *	5/1980	Ito .....	D19/164
D258,217 S *	2/1981	Sakaoka .....	D19/168
D280,420 S *	9/1985	Verhaegue .....	D19/169
D280,737 S *	9/1985	Verhaegue .....	D19/169
D294,599 S *	3/1988	Funahashi .....	D19/168
D323,673 S *	2/1992	Gomez .....	D19/169
D323,852 S *	2/1992	Gomez .....	D19/170
D324,236 S *	2/1992	Gomez .....	D19/169
D324,237 S *	2/1992	Gomez .....	D19/170
D339,162 S *	9/1993	Verhaegue .....	D19/167
D339,378 S *	9/1993	Verhaegue .....	D19/175
D352,311 S *	11/1994	Waldinger .....	D19/174
D360,433 S *	7/1995	Payne .....	D19/174
D383,494 S *	9/1997	Polenberg .....	D19/168
D390,873 S *	2/1998	Oka .....	D19/171
D391,606 S *	3/1998	Compte .....	D19/168
D394,877 S *	6/1998	Hsieh .....	D19/197

D398,934 S *	9/1998	Veillon .....	D19/164
D459,393 S *	6/2002	Verhaeghe .....	D19/168
D489,092 S *	4/2004	Izushima .....	D19/197
D504,152 S *	4/2005	Collin .....	D19/168
D504,154 S *	4/2005	Collin .....	D19/164
D536,734 S *	2/2007	Bodino .....	D19/195
D540,866 S *	4/2007	Qiu .....	D19/174
D566,179 S *	4/2008	Qiu .....	D19/170
D567,288 S *	4/2008	Keil .....	D19/170
D579,496 S *	10/2008	Qiu .....	D19/168
D586,393 S *	2/2009	Nishida .....	D19/174
D594,059 S *	6/2009	Shibata .....	D19/173
D603,452 S *	11/2009	Rolion .....	D19/168
D611,098 S *	3/2010	Collin .....	D19/169
D666,671 S *	9/2012	Liu .....	D19/168
D668,293 S *	10/2012	Chen .....	D19/169
D678,410 S *	3/2013	Kermoal .....	D19/167
D681,116 S *	4/2013	Kermoal .....	D19/167
D689,936 S *	9/2013	Jiang .....	D19/174
D693,402 S *	11/2013	Kermoal .....	D19/175
D699,293 S *	2/2014	Xie .....	D19/164
D699,295 S *	2/2014	Xie .....	D19/195
D822,111 S *	7/2018	Iwao .....	D19/164
D841,092 S *	2/2019	Houston .....	D19/164
D867,453 S *	11/2019	Xie .....	D19/164
D867,454 S *	11/2019	Zhang .....	D19/164

\* cited by examiner

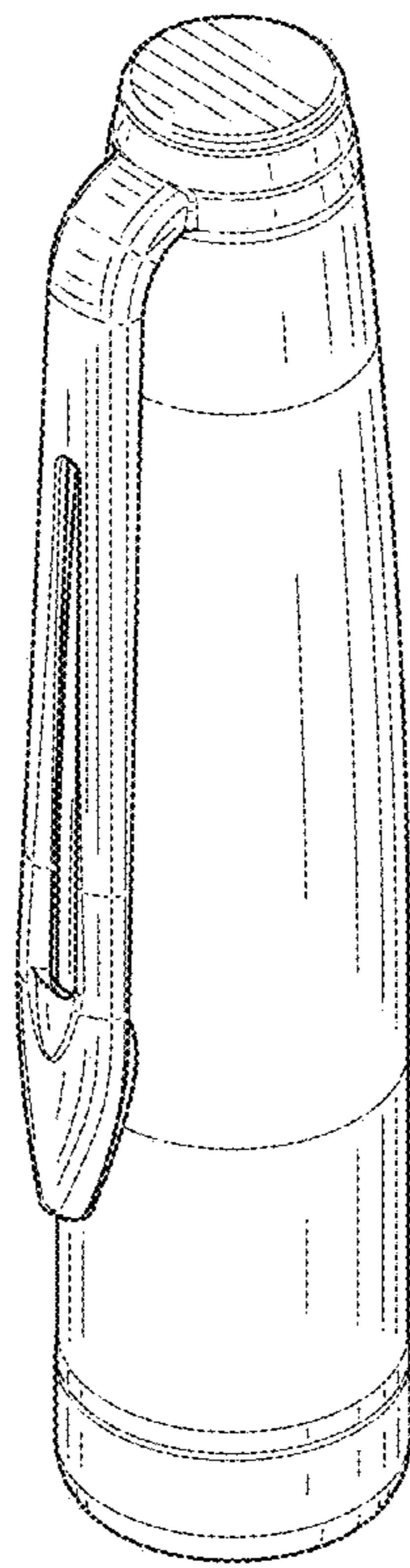


FIG. 1

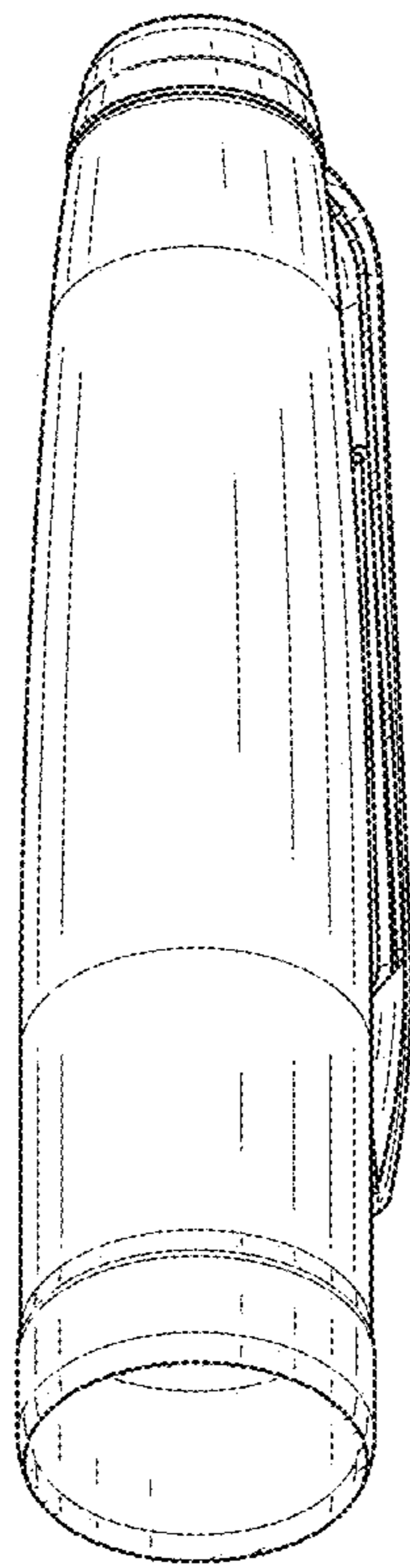


FIG. 2

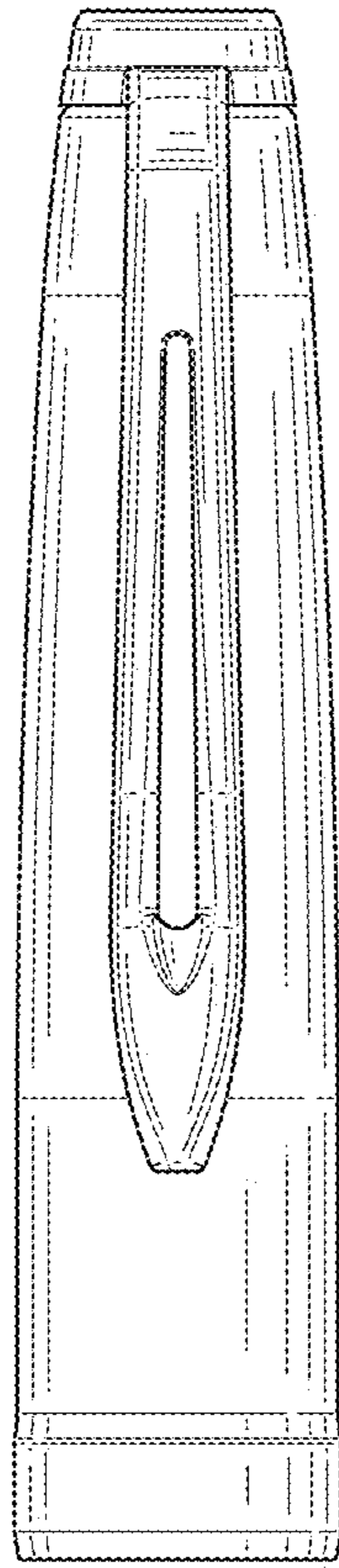


FIG. 3

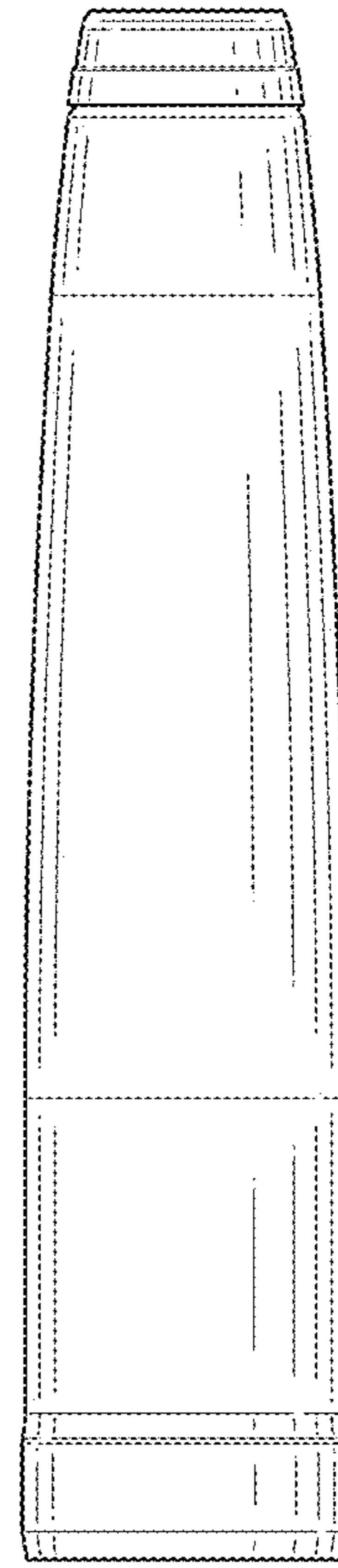


FIG. 4

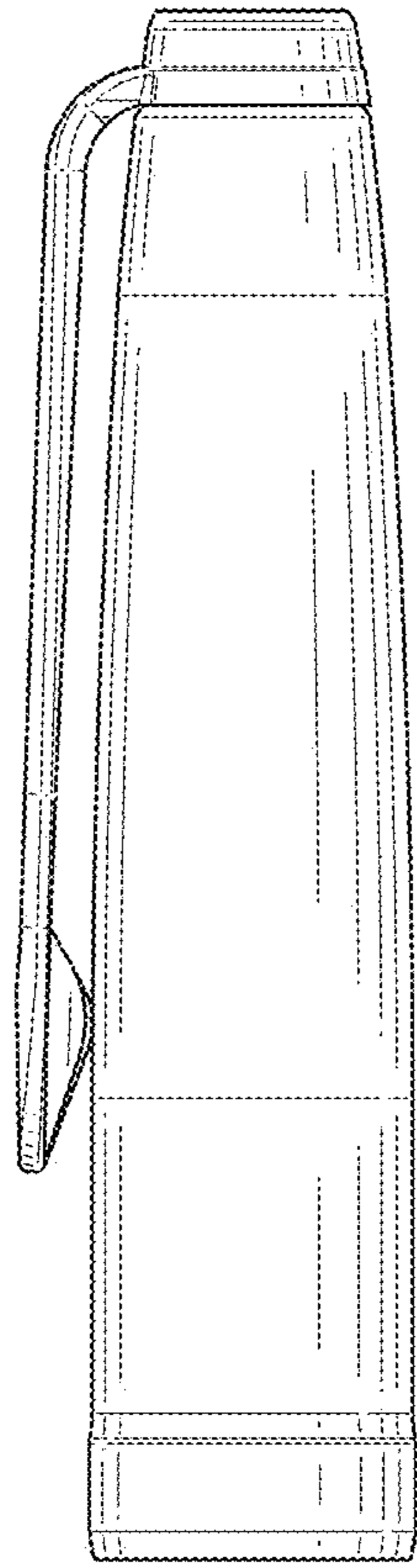


FIG. 5

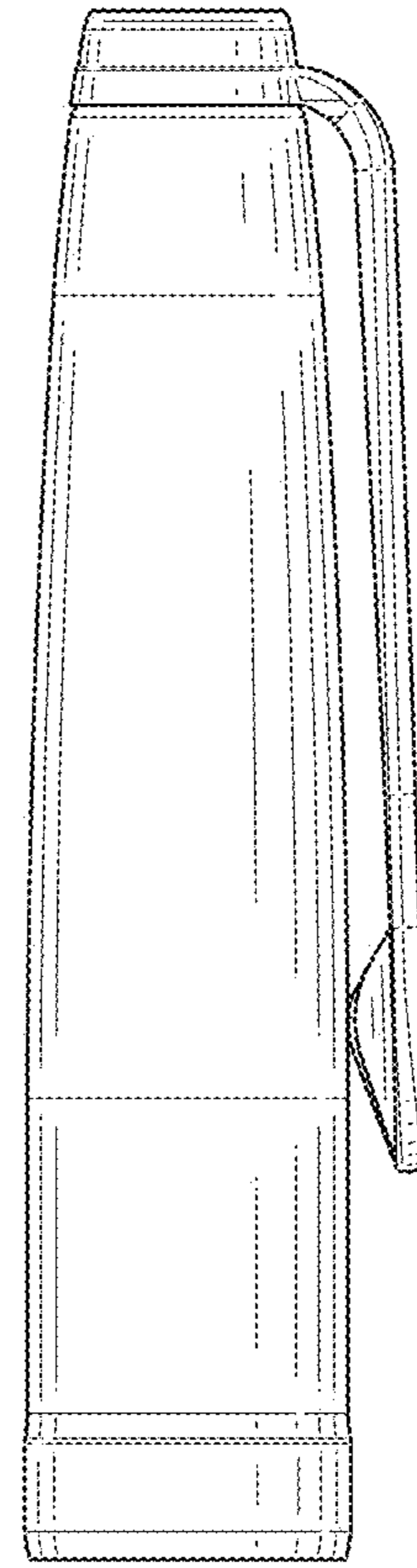


FIG. 6

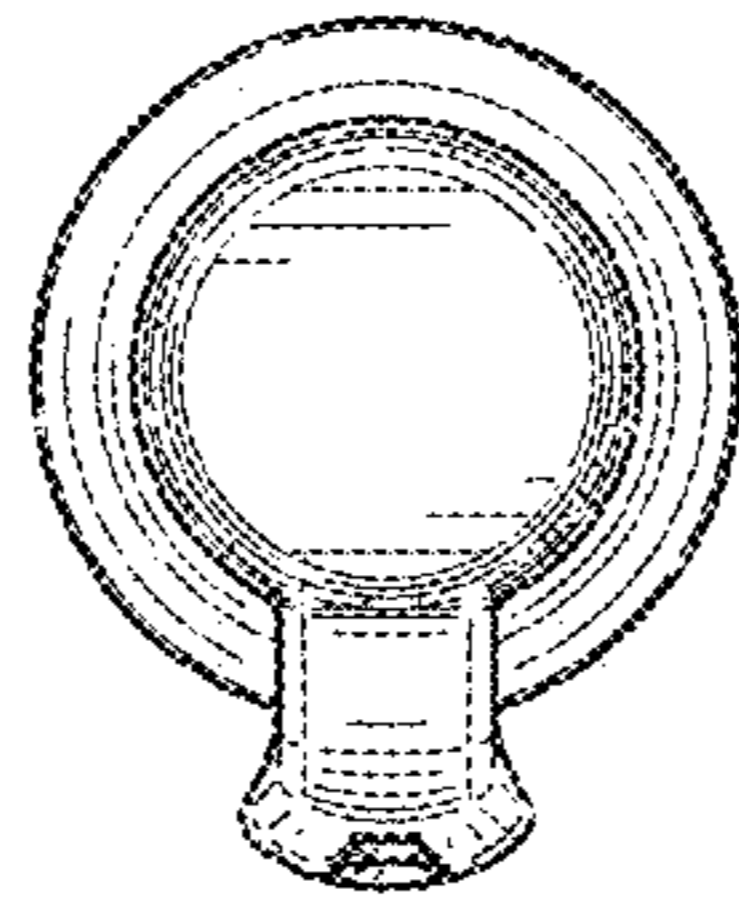


FIG. 7

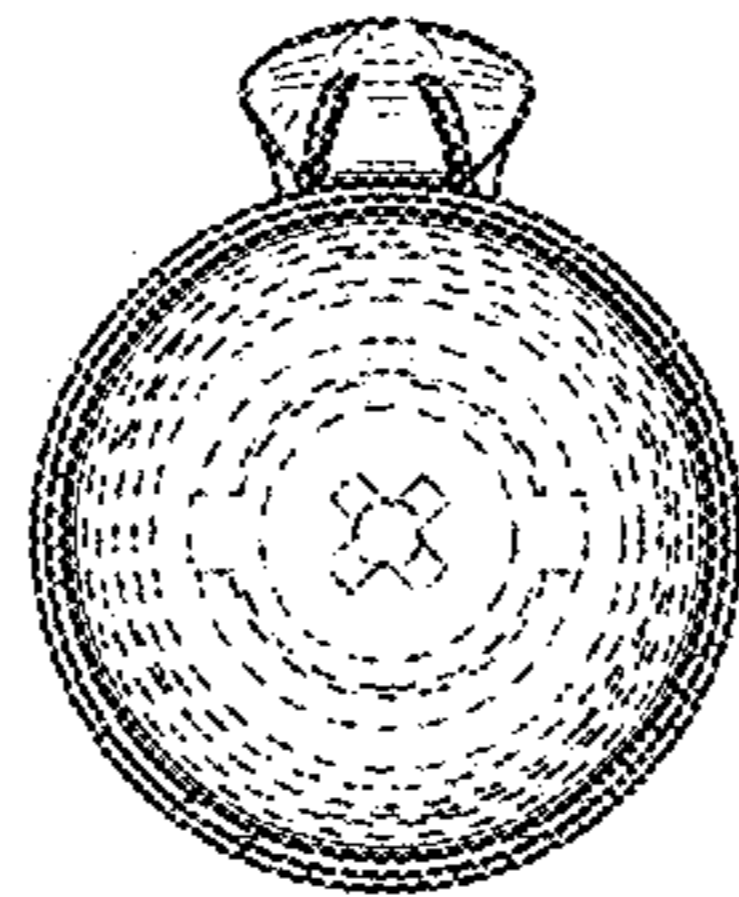


FIG. 8

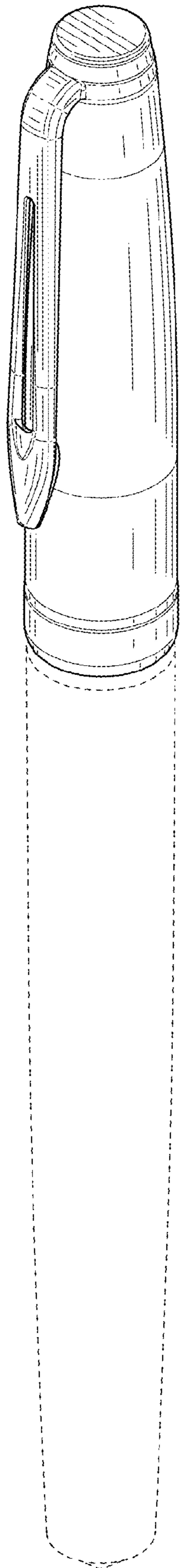


FIG. 9

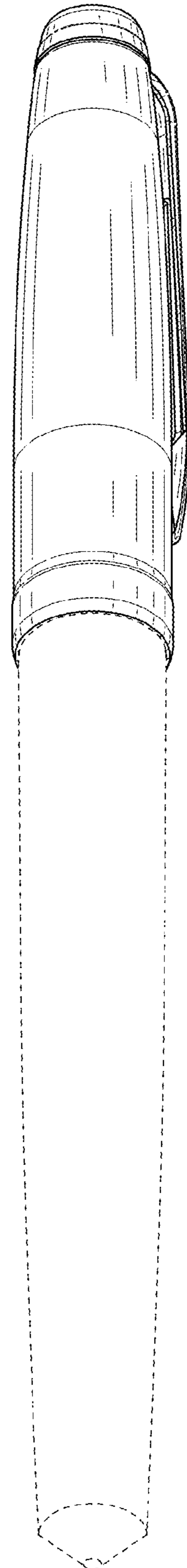


FIG. 10



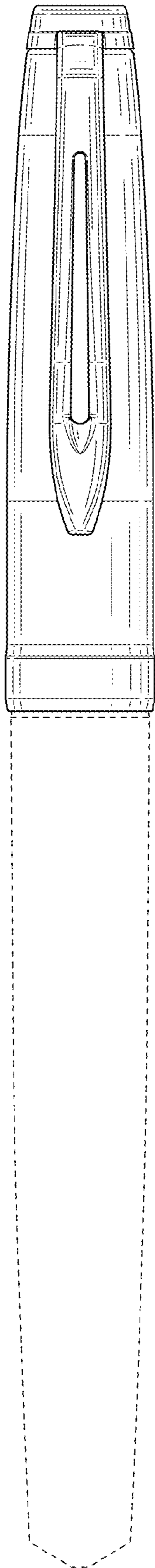


FIG. 11

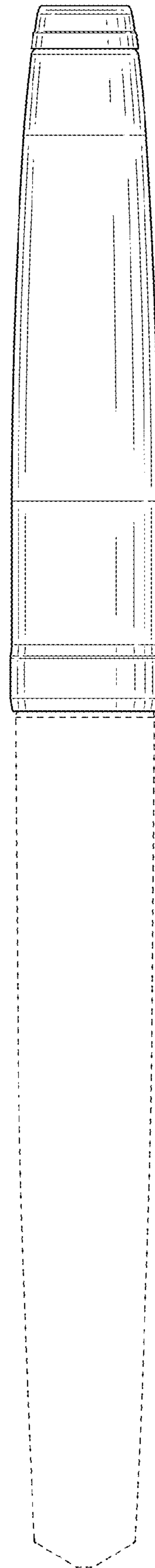


FIG. 12

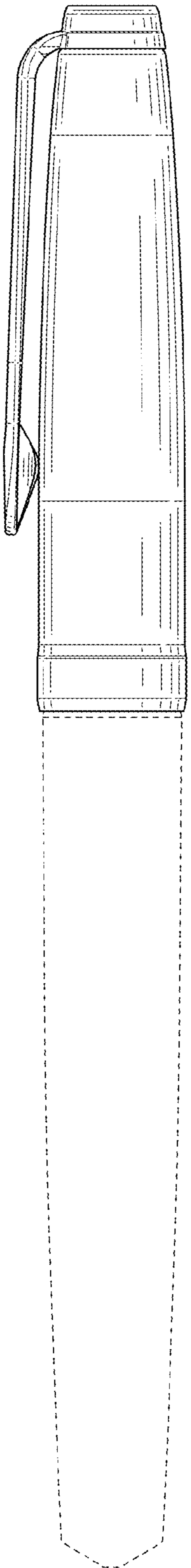


FIG. 13

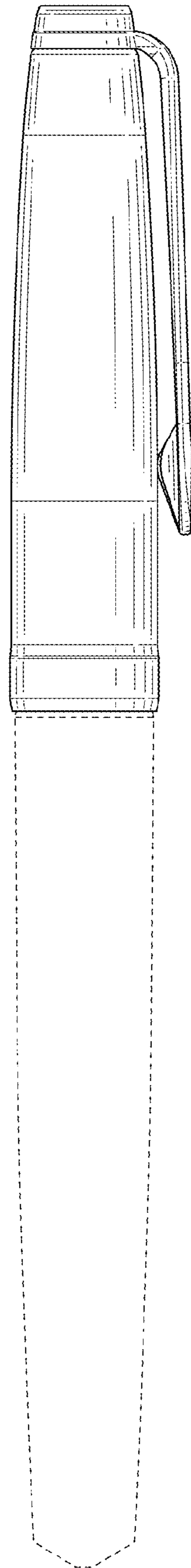


FIG. 14

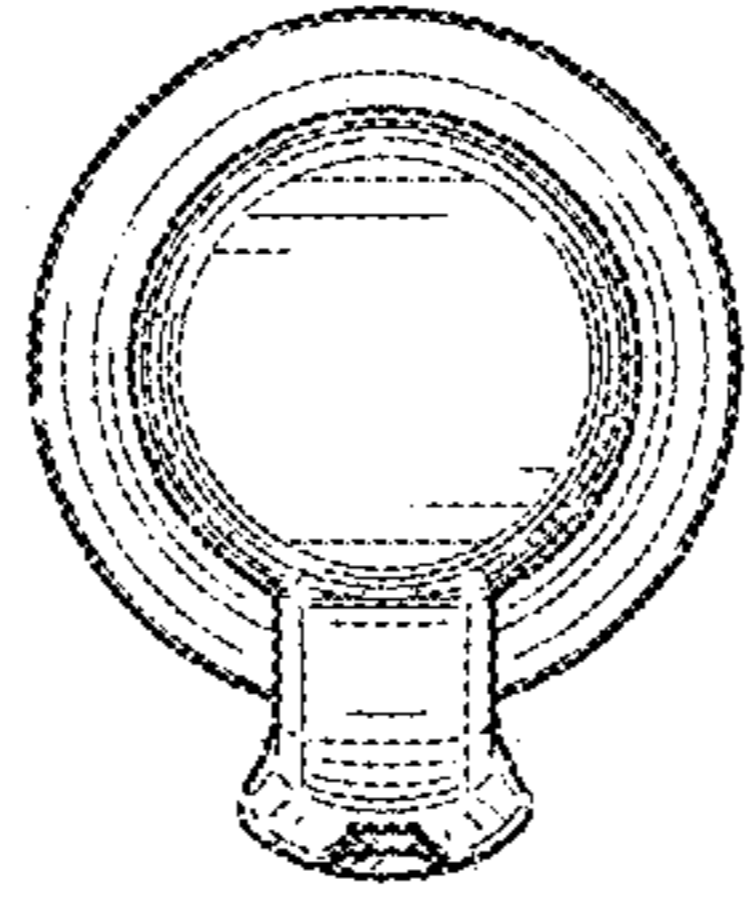


FIG. 15

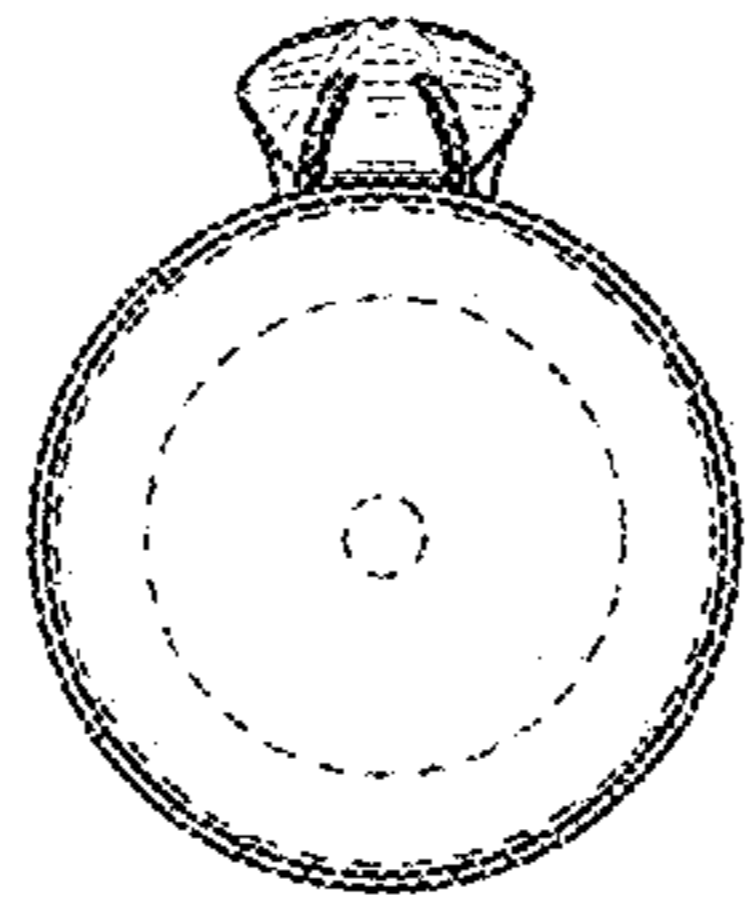


FIG. 16

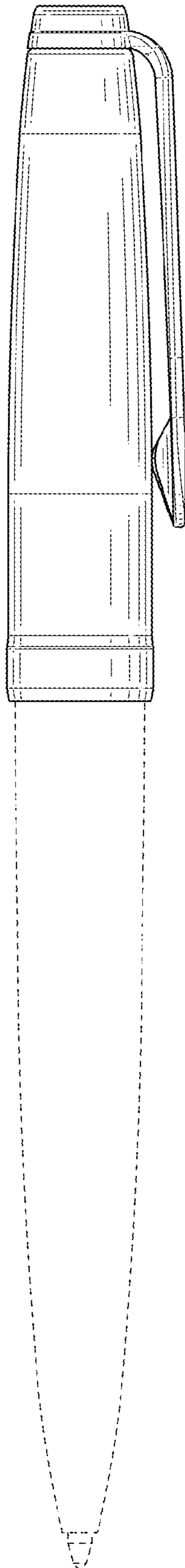


FIG. 17



FIG. 18

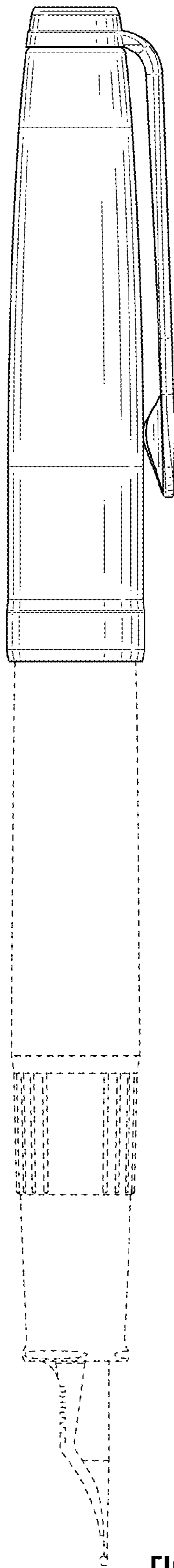


FIG. 19