



US00D894277S

(12) **United States Design Patent** (10) **Patent No.:** **US D894,277 S**
Lee et al. (45) **Date of Patent:** **** Aug. 25, 2020**

(54) **ELECTRONIC WHITEBOARD**
(71) Applicant: **LG Electronics Inc.**, Seoul (KR)
(72) Inventors: **Yongho Lee**, Seoul (KR); **Hyeyoung Hong**, Seoul (KR); **Joe Hyun**, Seoul (KR)
(73) Assignee: **LG ELECTRONICS INC.**, Seoul (KR)
(**) Term: **15 Years**
(21) Appl. No.: **35/507,098**
(22) Filed: **Jan. 10, 2019**
(80) **Hague Agreement Data**
Int. Filing Date: **Jan. 10, 2019**
Int. Reg. No.: **DM/201820**
Int. Reg. Date: **Jan. 10, 2019**
Int. Reg. Pub. Date: **Jul. 19, 2019**

(30) **Foreign Application Priority Data**
Jul. 10, 2018 (KR) 30-2018-0031814
(51) **LOC (12) Cl.** **19-06**
(52) **U.S. Cl.**
USPC **D19/113**
(58) **Field of Classification Search**
USPC D19/62, 65, 88, 91, 113, 115;
D14/125-134
CPC B43L 1/00; B43L 1/008; B43L 1/12; B43L
1/04; B43L 1/045; B43L 1/10; B43L
19/0068; B43L 19/04; B43L 1/002; B43L
1/06; B43L 1/123; B43L 21/00; B43L
21/04; B43L 5/025
See application file for complete search history.

(56) **References Cited**
U.S. PATENT DOCUMENTS
D750,585 S * 3/2016 Kang D14/126
D751,519 S * 3/2016 Ma D14/126
(Continued)

Primary Examiner — Khawaja Anwar
(74) *Attorney, Agent, or Firm* — Birch, Stewart, Kolasch & Birch, LLP

(57) **CLAIM**

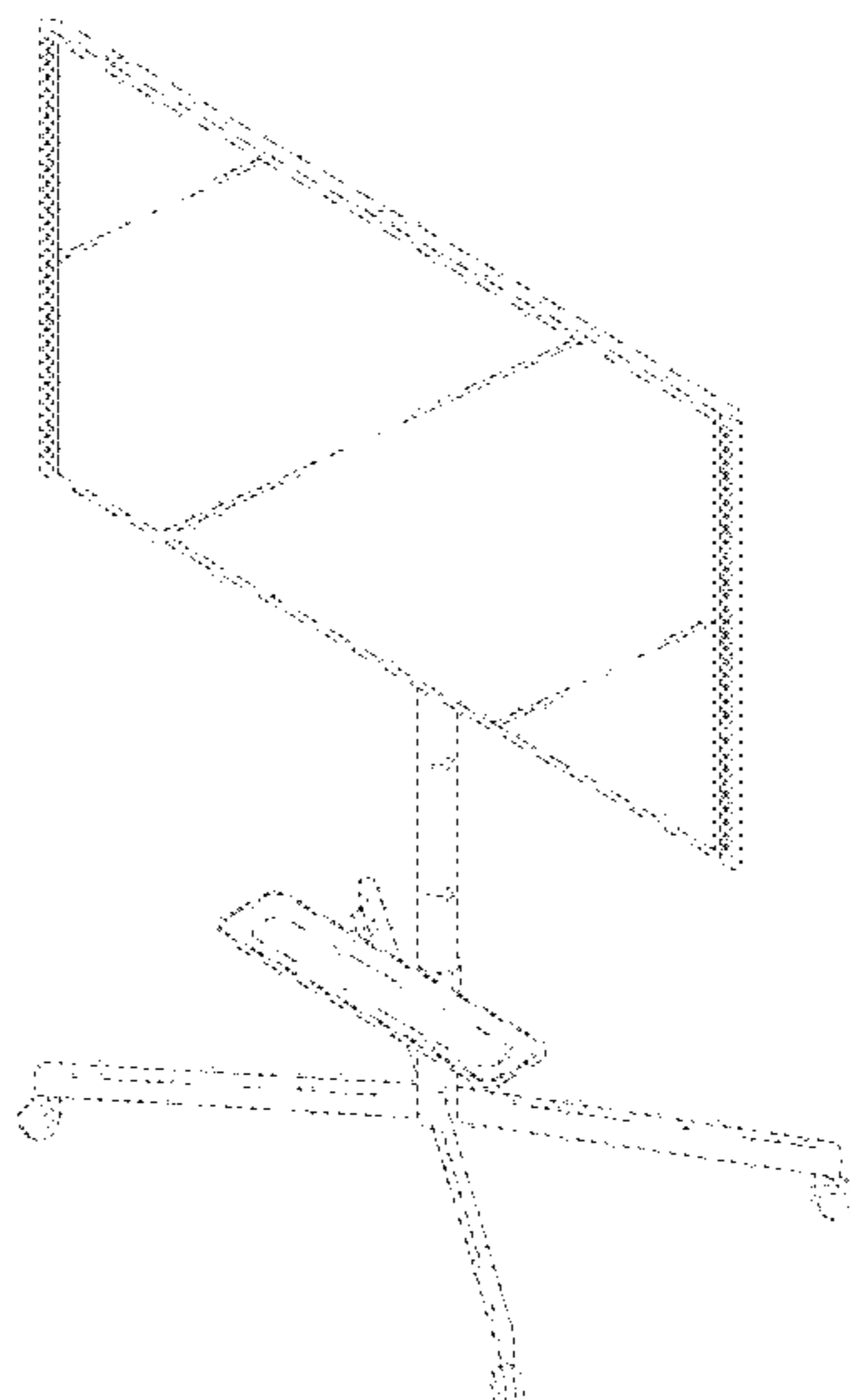
The ornamental design for an electronic whiteboard, as shown and described.

DESCRIPTION

- 1. Electronic whiteboard
- 1.1 : Perspective
- 1.2 : Front
- 1.3 : Back
- 1.4 : Left
- 1.5 : Right
- 1.6 : Top
- 1.7 : Bottom
- 1.8 : Reference
- 1.9 : Reference view 2

The broken lines depict portions of the electronic whiteboard that form no part of the claimed design; reproduction 1.1 is a front perspective view of the electronic whiteboard; reproduction 1.2 is a front view thereof; reproduction 1.3 is a back view thereof; reproduction 1.4 is a left view thereof; reproduction 1.5 is a right view thereof; reproduction 1.6 is a top view thereof; reproduction 1.7 is a bottom view thereof; reproduction 1.8 is a reference view showing an example of a state in which the display part is rotated in the vertical direction, and forms no part of the claimed design; reproduction 1.9 is a reference view showing that a camera can be installed in the upper center of the front and the height of the display can be adjusted up and down, and forms no part of the claimed design; this is a design for an electronic whiteboard with a display part that can be rotated in the vertical direction as shown in reproduction 1.8; as shown in reproduction 1.9, a camera can be installed at the upper center of the front, and the height can be adjusted up and down.

1 Claim, 9 Drawing Sheets



(56)

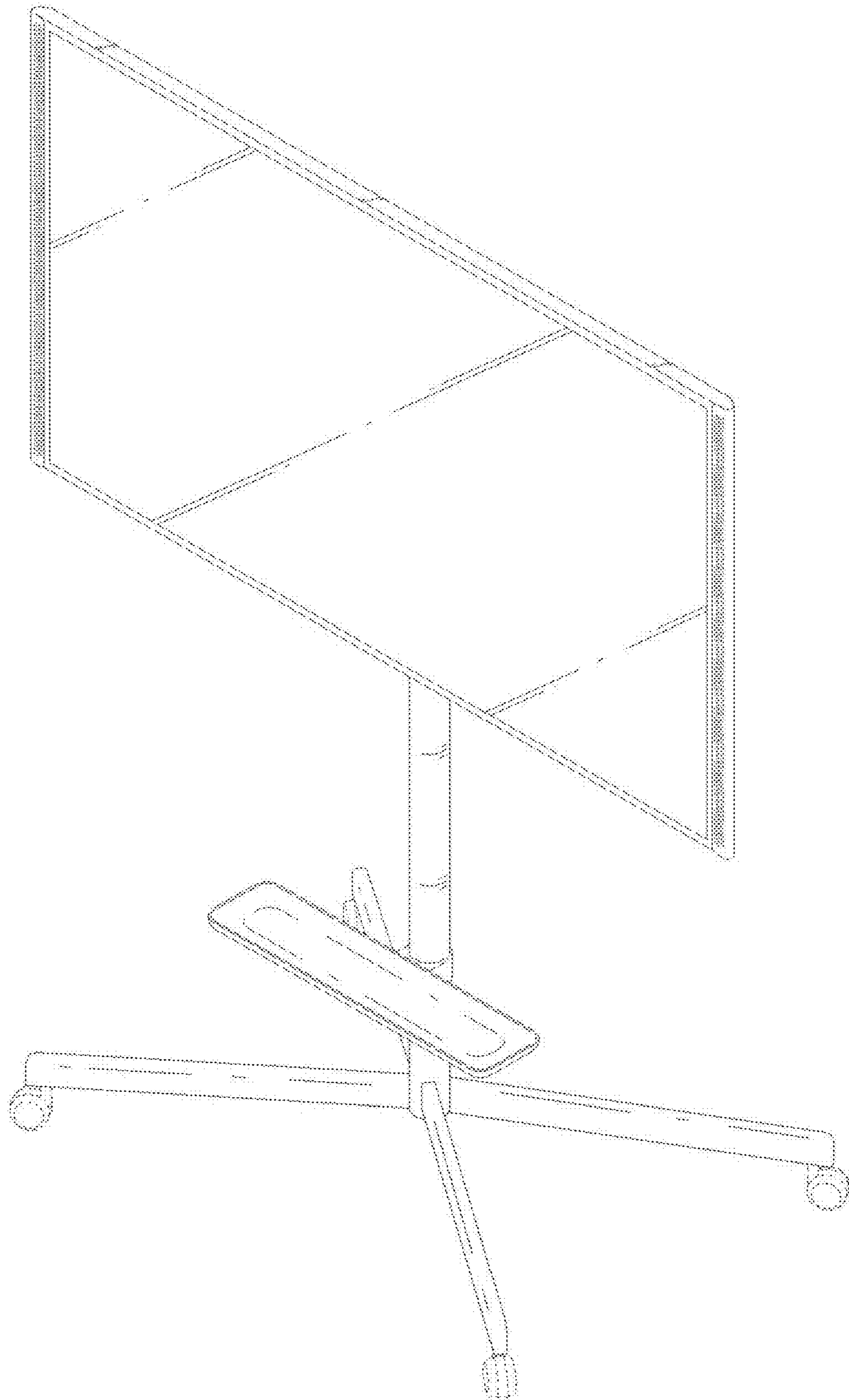
References Cited

U.S. PATENT DOCUMENTS

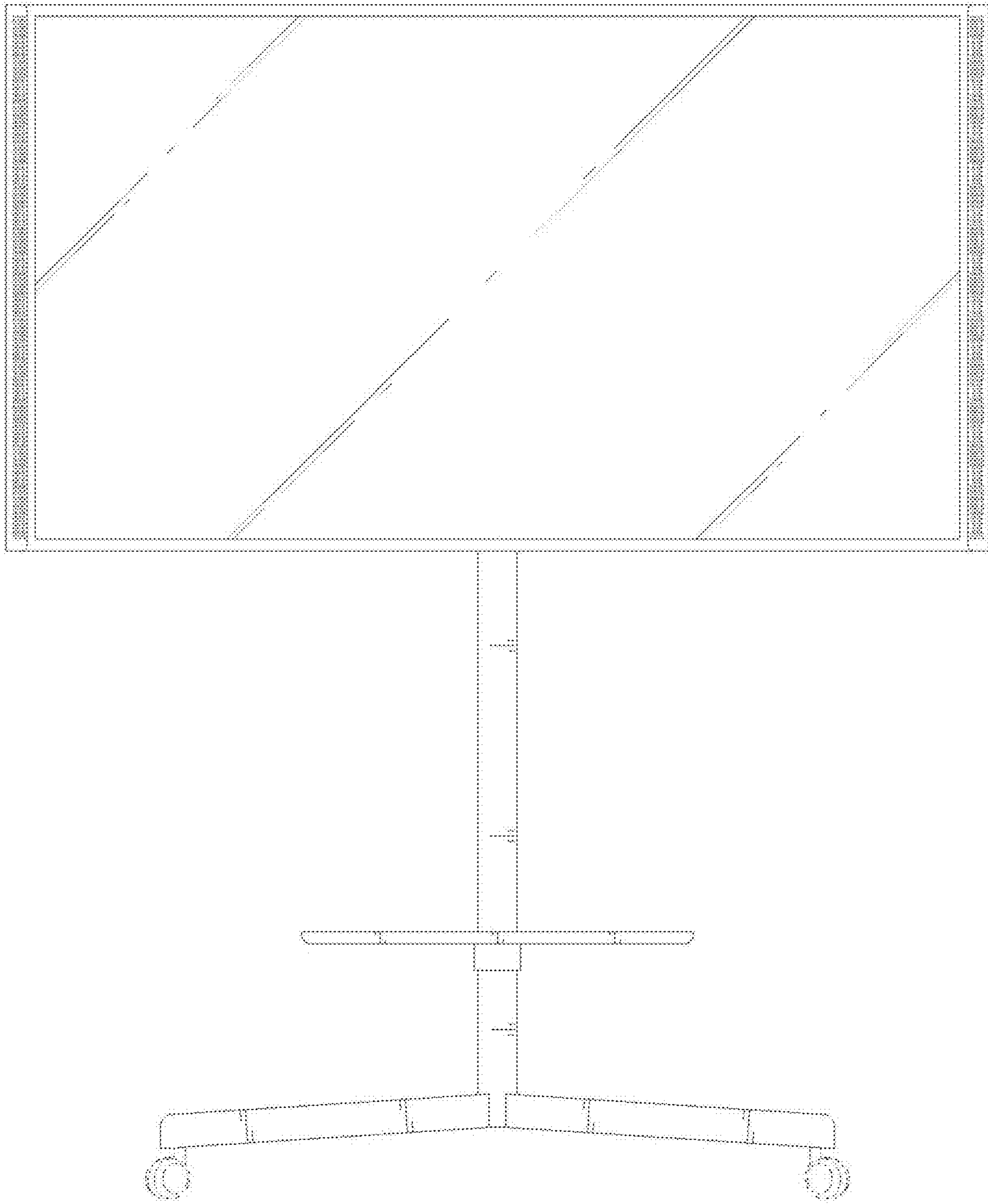
D809,600 S	*	2/2018	Anderson	D19/113
D864,296 S	*	10/2019	Park	D19/113
D870,809 S	*	12/2019	Bochner	D19/113
D872,800 S	*	1/2020	Kan	D19/113
D875,832 S	*	2/2020	Chiang	D19/113
D877,247 S	*	3/2020	Costas	D19/113
D877,248 S	*	3/2020	Costas	D19/113

* cited by examiner

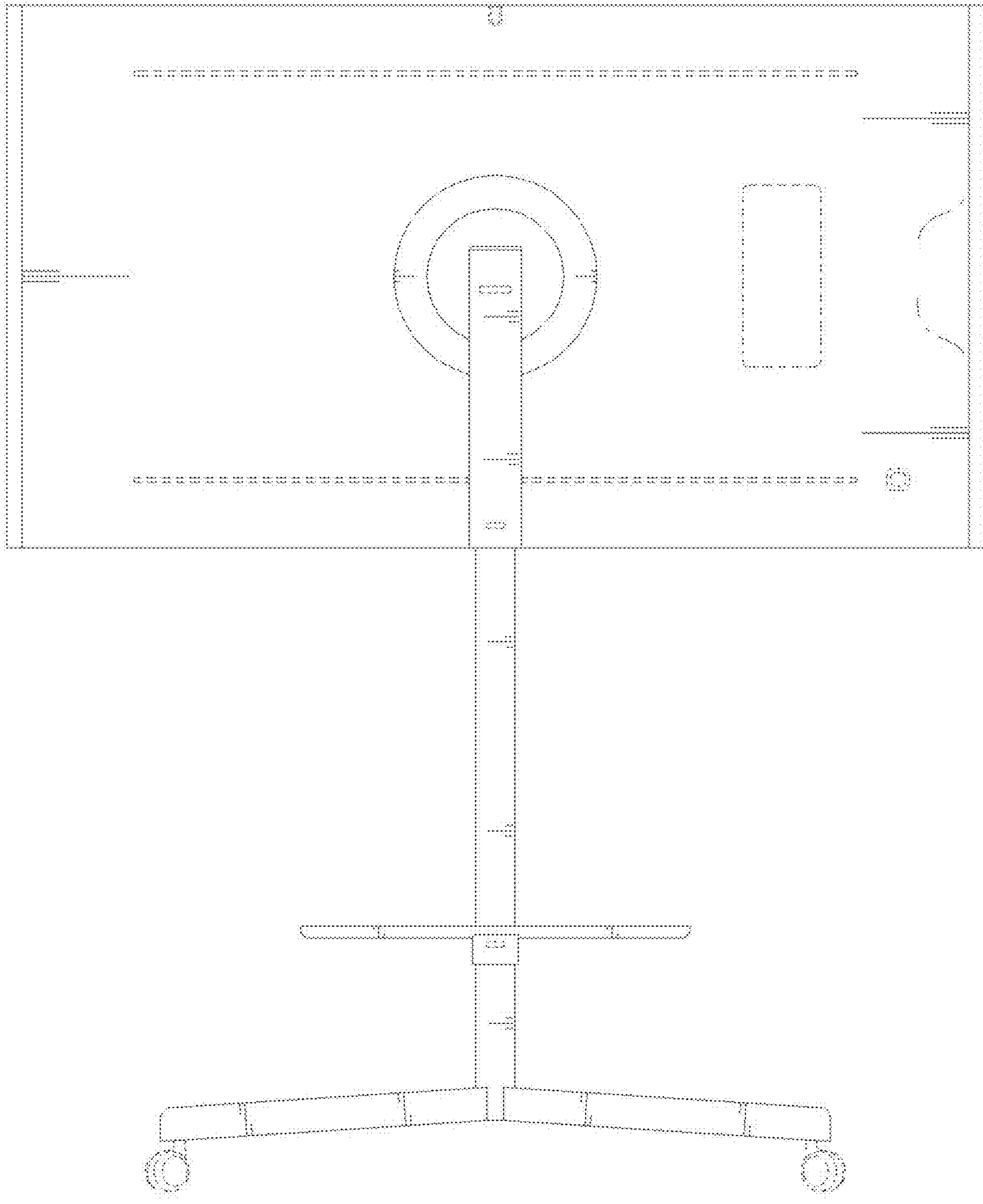
1.1



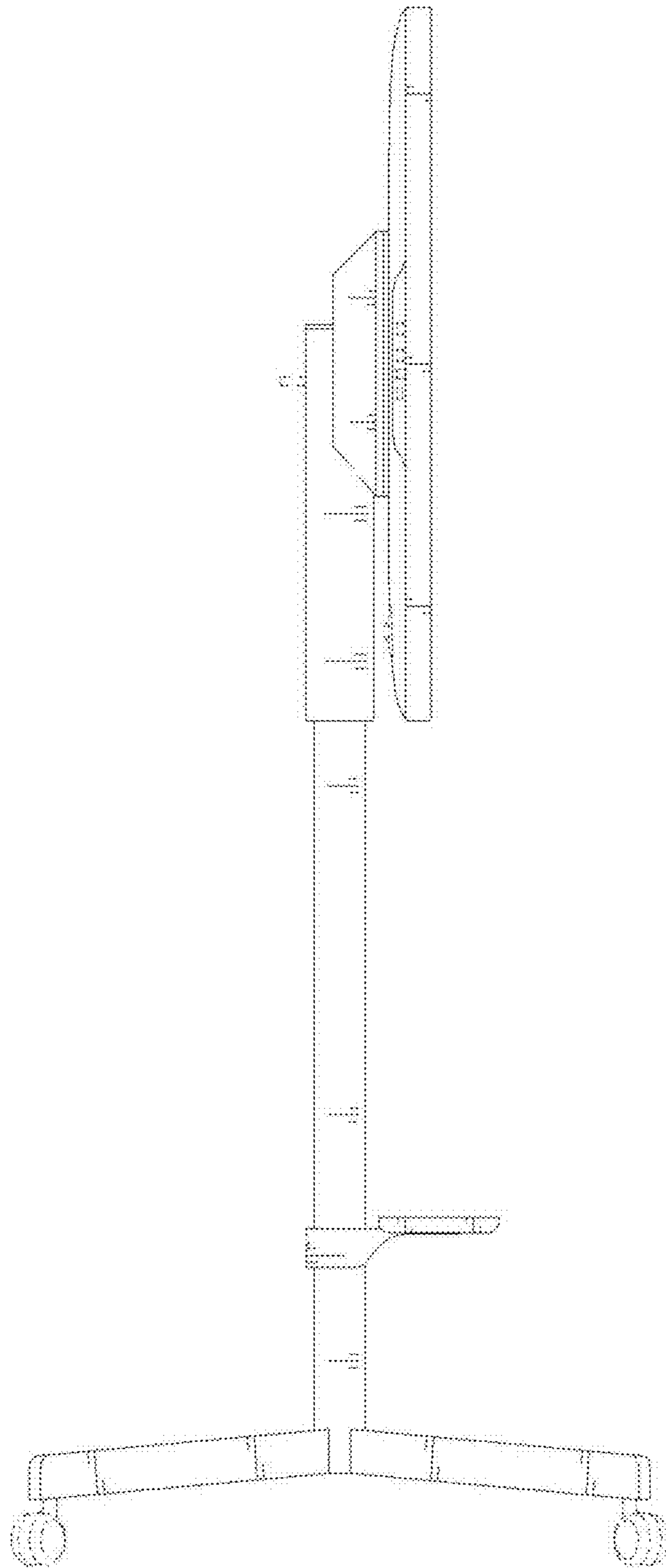
1.2



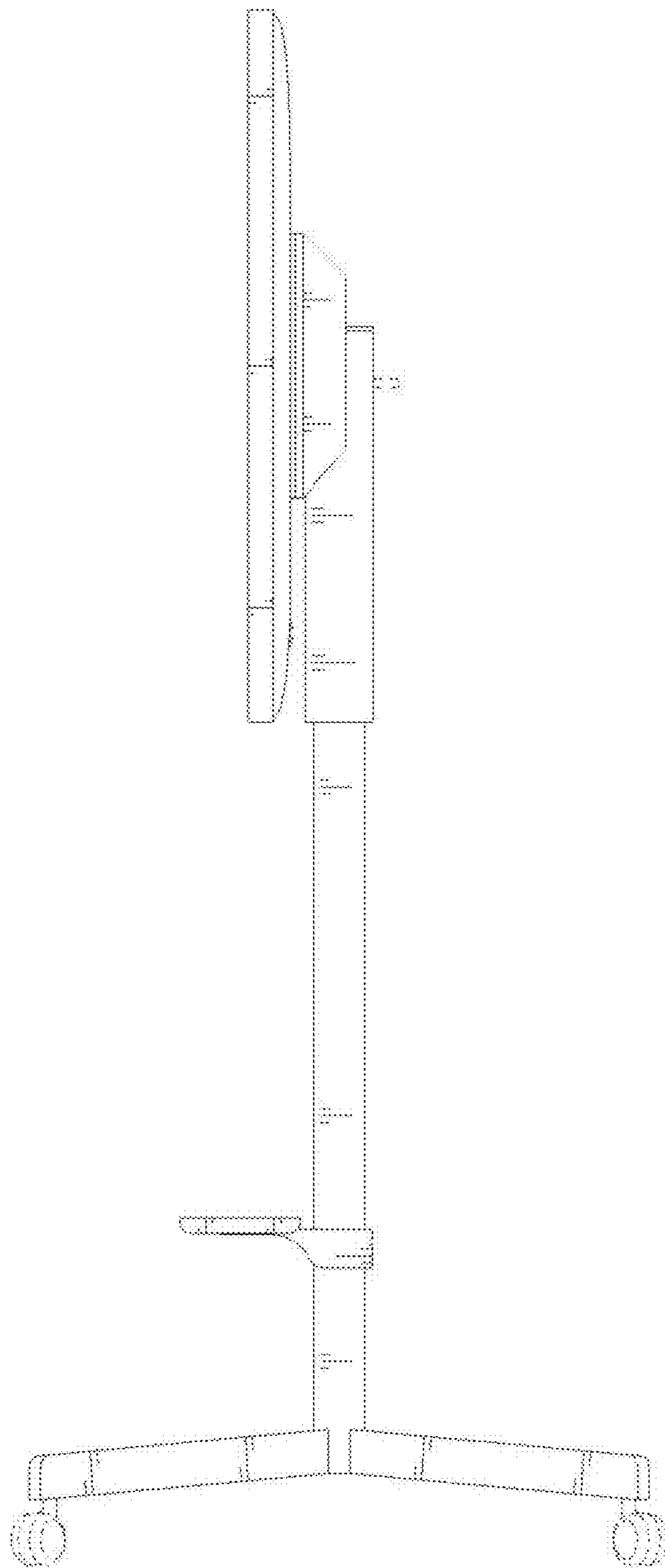
1.3



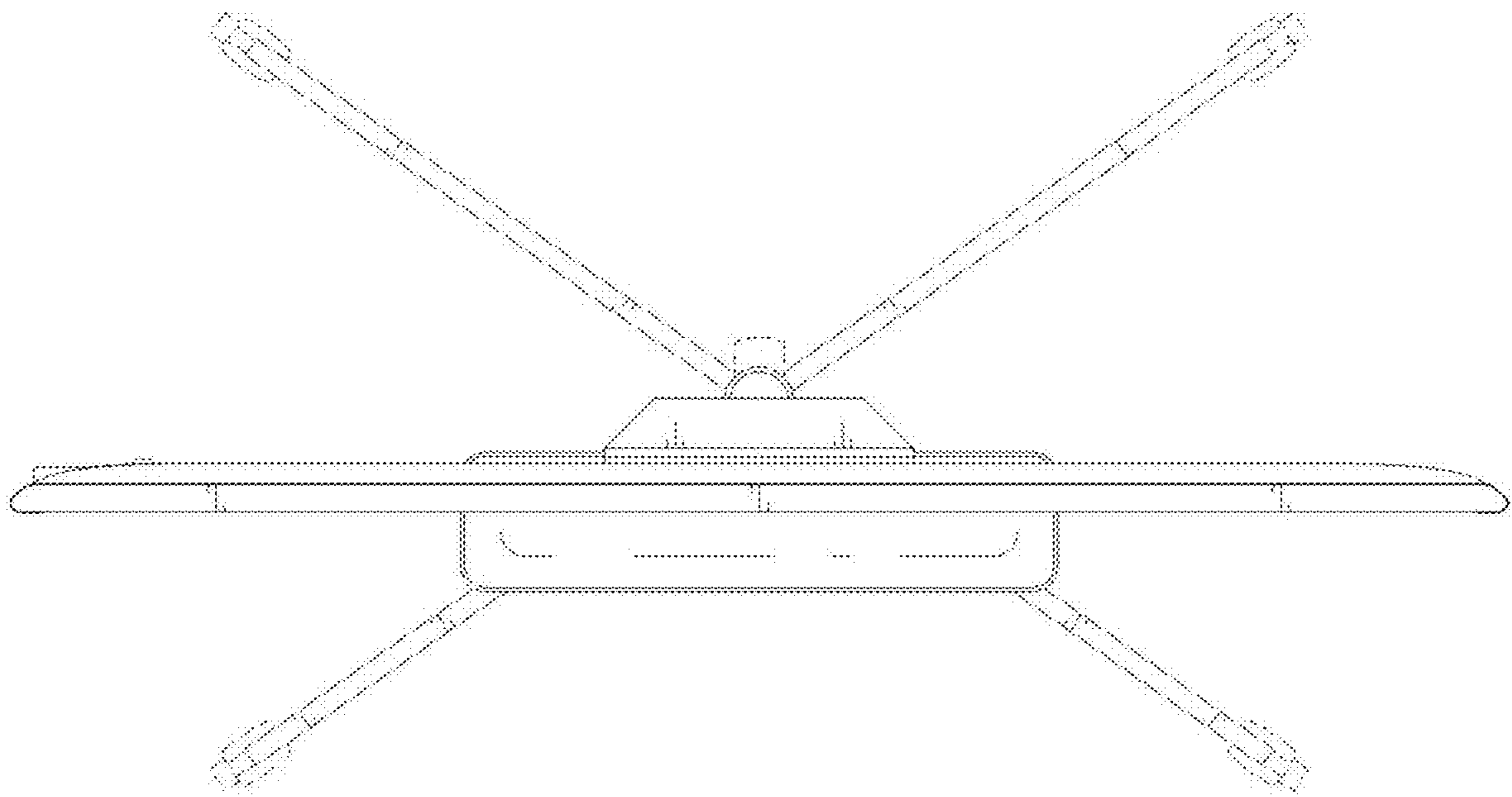
1.4



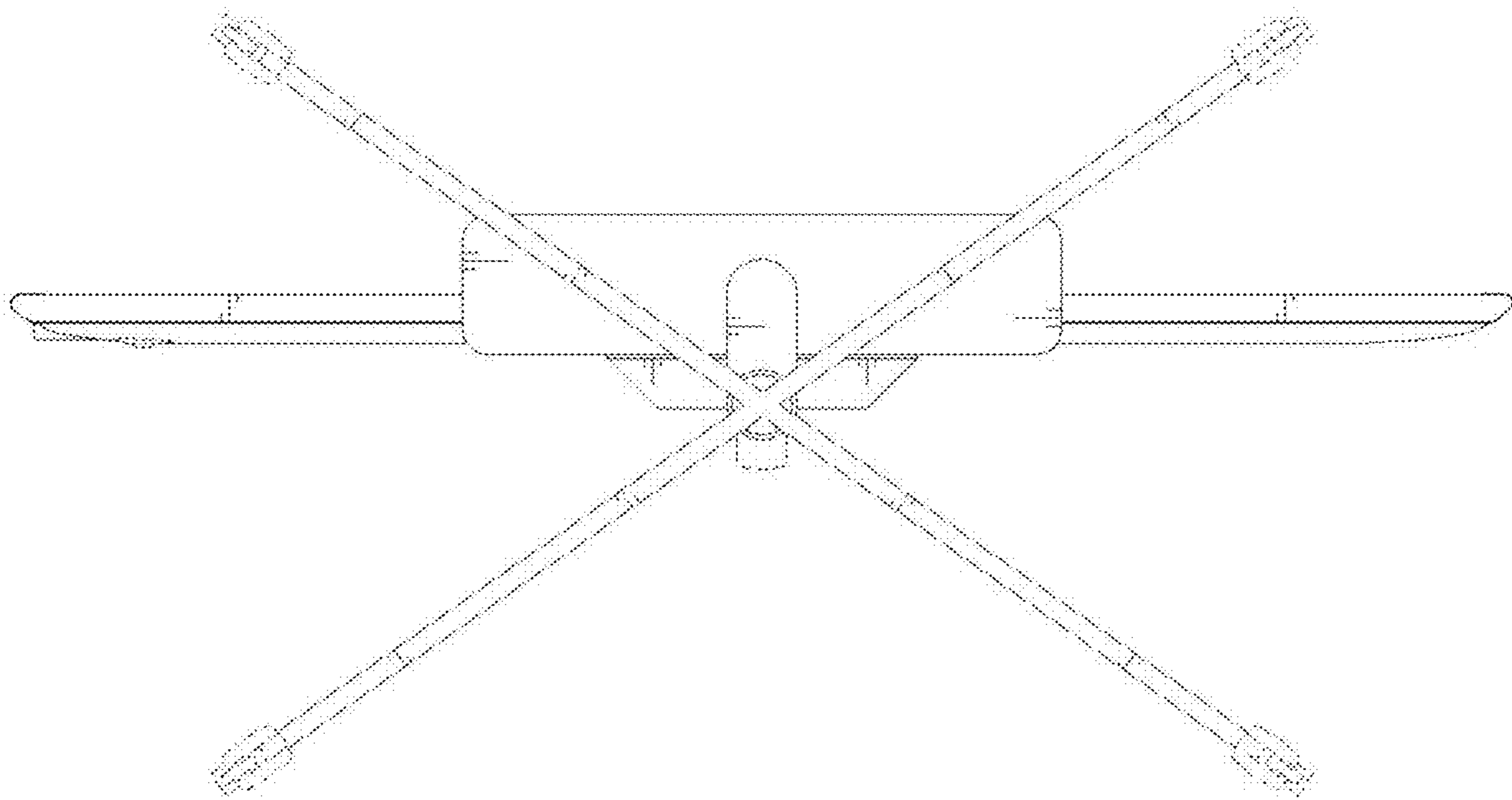
1.5



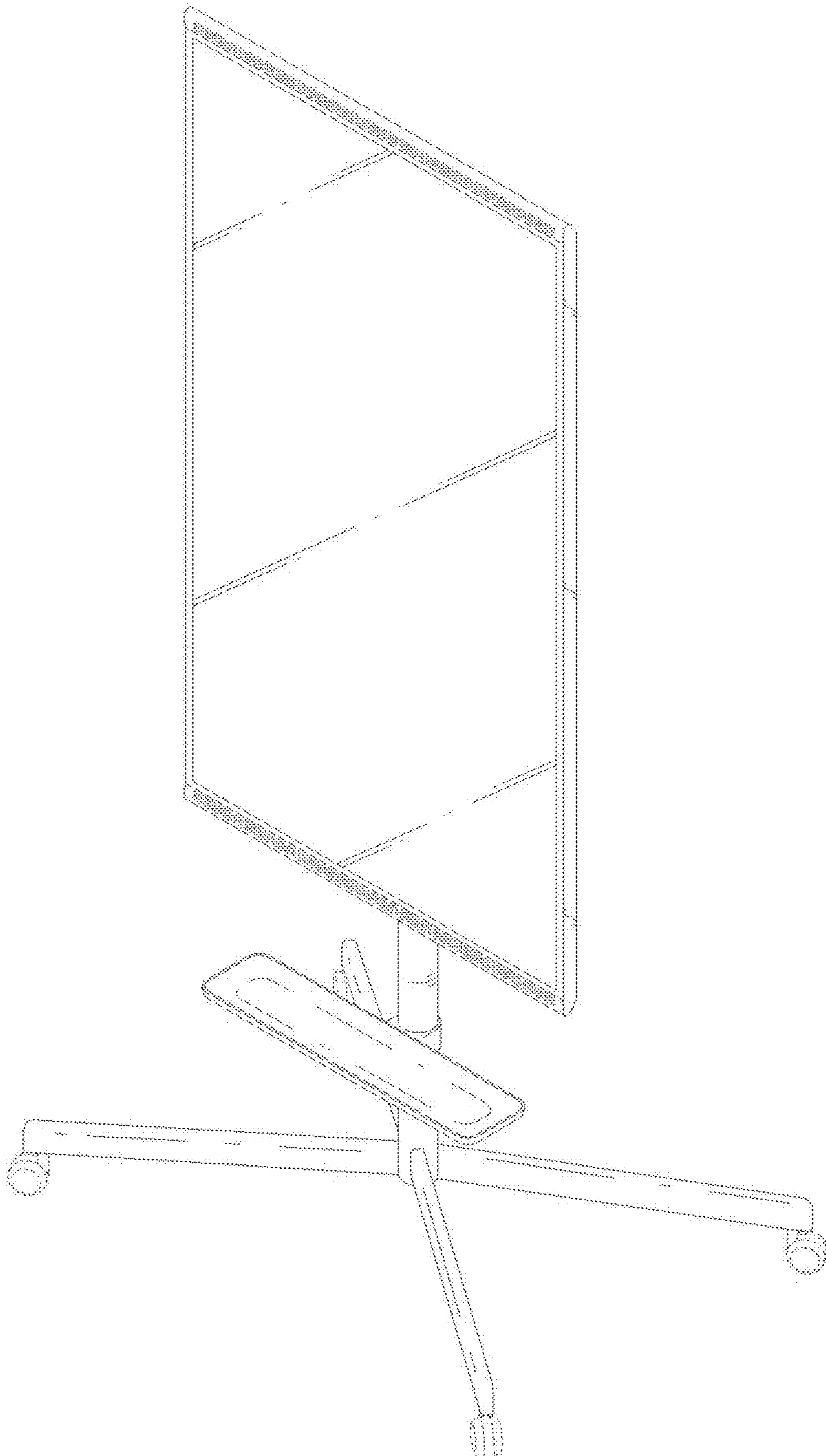
1.6



1.7



1.8



1.9

