



US00D894276S

(12) **United States Design Patent**  
**Knapp et al.**

(10) **Patent No.:** **US D894,276 S**

(45) **Date of Patent:** **\*\* Aug. 25, 2020**

- (54) **WHITEBOARD**
- (71) Applicant: **CKnapp Sales, Inc.**, Goodfield, IL (US)
- (72) Inventors: **Chance Knapp**, Goodfield, IL (US);  
**Brandon Meyer**, Normal, IL (US)
- (73) Assignee: **CKnapp Sales, Inc.**, Goodfield, IL (US)
- (\*\*) Term: **15 Years**
- (21) Appl. No.: **29/691,143**
- (22) Filed: **May 14, 2019**
- (51) **LOC (12) Cl.** ..... **19-06**
- (52) **U.S. Cl.**  
USPC ..... **D19/113**
- (58) **Field of Classification Search**  
USPC ..... D19/113, 114, 81, 88, 26-33; D6/310, D6/311; D7/698; D20/10, 19, 39, 40, D20/41, 42; D14/341, 440; D8/354; 248/300  
CPC .... B43L 1/00; B43L 1/008; B43L 1/08; B43L 1/04; B43L 5/00; B43L 5/02; B43L 5/002; B43L 5/005; B43L 5/007; B42F 9/001; B42F 9/002; B42F 9/004; B42F 9/005; B42F 9/007; B42F 9/008; G09F 15/00; G09F 15/0006; G09F 15/0012; G09F 1/12; G09F 7/00; B44D 3/18; B44D 3/185  
See application file for complete search history.

(56) **References Cited**

**U.S. PATENT DOCUMENTS**

- 1,669,199 A \* 5/1928 Hicks ..... H01F 27/02  
248/300
- 1,810,305 A \* 6/1931 Tracy ..... B43L 1/04  
434/414

- 1,934,532 A \* 11/1933 Hallowell ..... G09F 1/12  
40/611.04
- 2,249,663 A \* 7/1941 Minnick ..... A47G 1/0611  
40/780
- 3,539,968 A \* 11/1970 Wegner ..... H01R 13/6397  
439/134
- D249,889 S \* 10/1978 DeAmicis ..... D23/259
- 4,727,431 A \* 2/1988 Nakamura ..... H04N 1/38  
358/401
- D318,409 S \* 7/1991 Garrett ..... D8/72
- 5,176,522 A \* 1/1993 Robertson, Jr. .... B43L 1/00  
434/408
- D334,590 S \* 4/1993 Villano ..... D19/59
- D349,232 S \* 8/1994 Lebow ..... D8/354
- D359,224 S \* 6/1995 Airey ..... D8/349
- D378,343 S \* 3/1997 Macor ..... D8/73
- 5,707,032 A \* 1/1998 Ehrlich ..... A47G 11/006  
160/368.1
- D391,150 S \* 2/1998 Anderson ..... D8/394
- 6,055,757 A \* 5/2000 Carlsson ..... A47G 1/0611  
40/739
- D443,493 S \* 6/2001 Skeem ..... D8/72
- D507,812 S \* 7/2005 Cesaroni ..... D19/113

(Continued)

*Primary Examiner* — Elizabeth A. Albert

(74) *Attorney, Agent, or Firm* — Hanley, Flight and Zimmerman, LLC

(57) **CLAIM**

The ornamental design for a whiteboard, substantially as shown and described.

**DESCRIPTION**

FIG. 1 is an isometric view of a whiteboard showing my new design.

FIG. 2 is a front view of FIG. 1.

FIG. 3 is a rear view of FIG. 1.

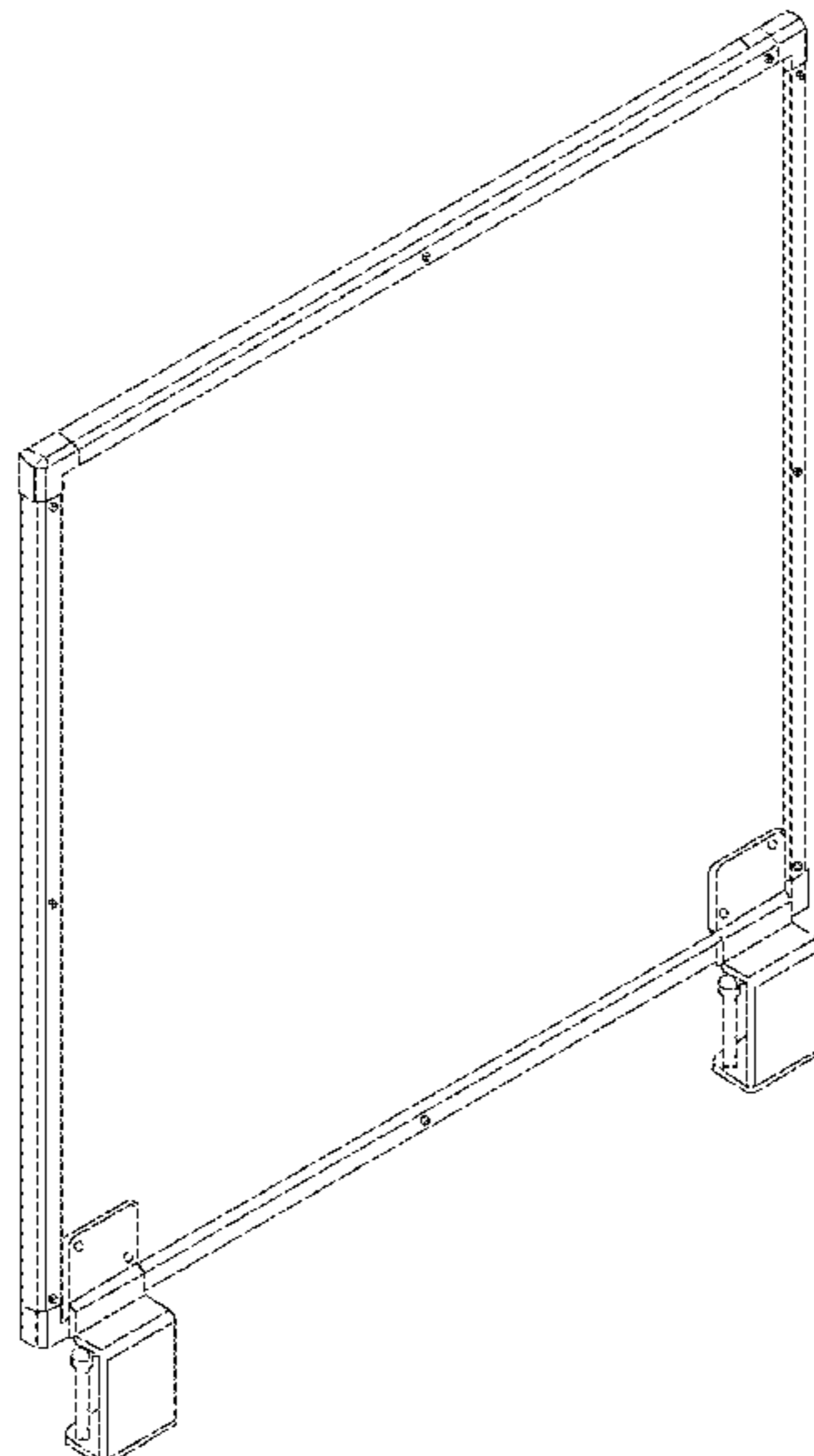
FIG. 4 is a first side view of FIG. 1.

FIG. 5 is a second side view of FIG. 1.

FIG. 6 is a top view of FIG. 1; and,

FIG. 7 is a bottom view of FIG. 1.

**1 Claim, 7 Drawing Sheets**



(56)

**References Cited**

U.S. PATENT DOCUMENTS

7,568,915 B1 \* 8/2009 Lavoie ..... B43L 1/00  
434/408  
D626,599 S \* 11/2010 Ogawa ..... D19/113  
D636,928 S \* 4/2011 Lin ..... D26/138  
D683,403 S \* 5/2013 Vasconcelos ..... D19/113  
D705,029 S \* 5/2014 Gangakhedkar ..... D8/72  
D705,356 S \* 5/2014 Kang ..... D19/113  
D709,554 S \* 7/2014 Kang ..... D19/113  
8,872,772 B2 \* 10/2014 Thompson ..... G06F 3/0428  
178/18.01  
9,669,650 B2 \* 6/2017 Shen ..... G09B 5/02  
D809,600 S \* 2/2018 Anderson ..... D19/113  
D825,319 S \* 8/2018 Zussman ..... D8/381  
D826,326 S \* 8/2018 Sellon ..... D19/113  
D832,671 S \* 11/2018 Gangakhedkar ..... D8/72  
2006/0214919 A1 \* 9/2006 Moore ..... B43L 1/002  
345/173

\* cited by examiner

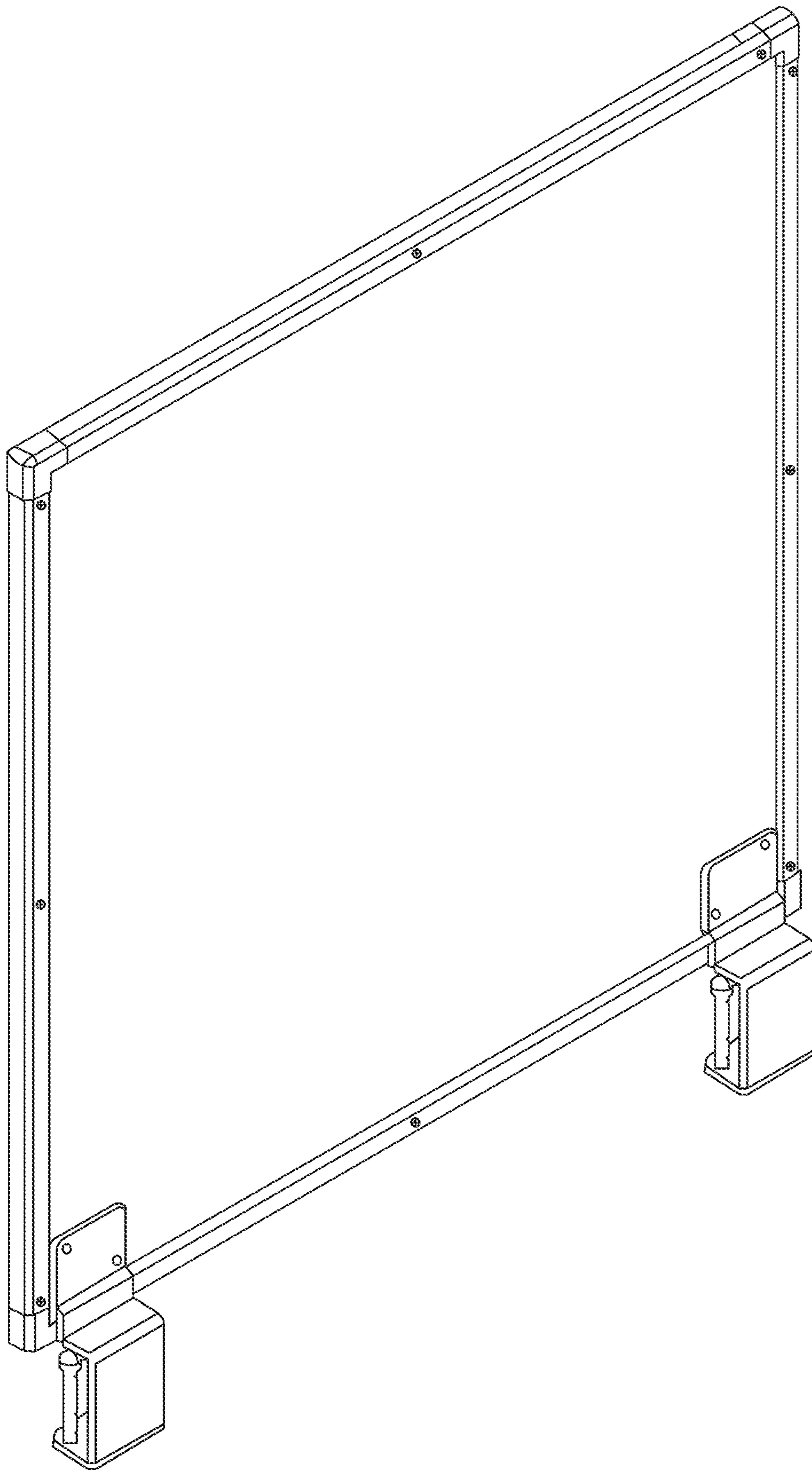


FIG. 1

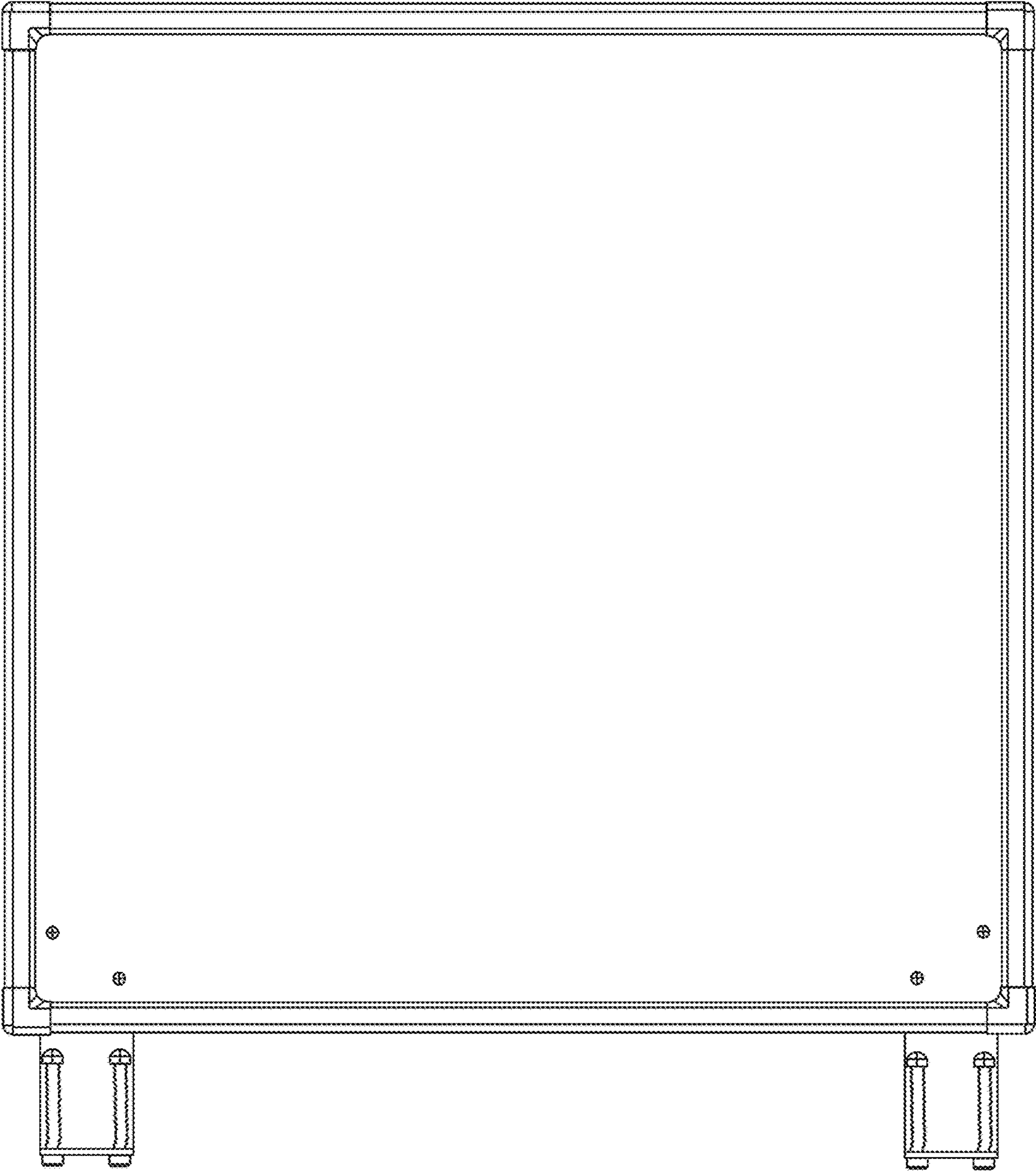


FIG. 2

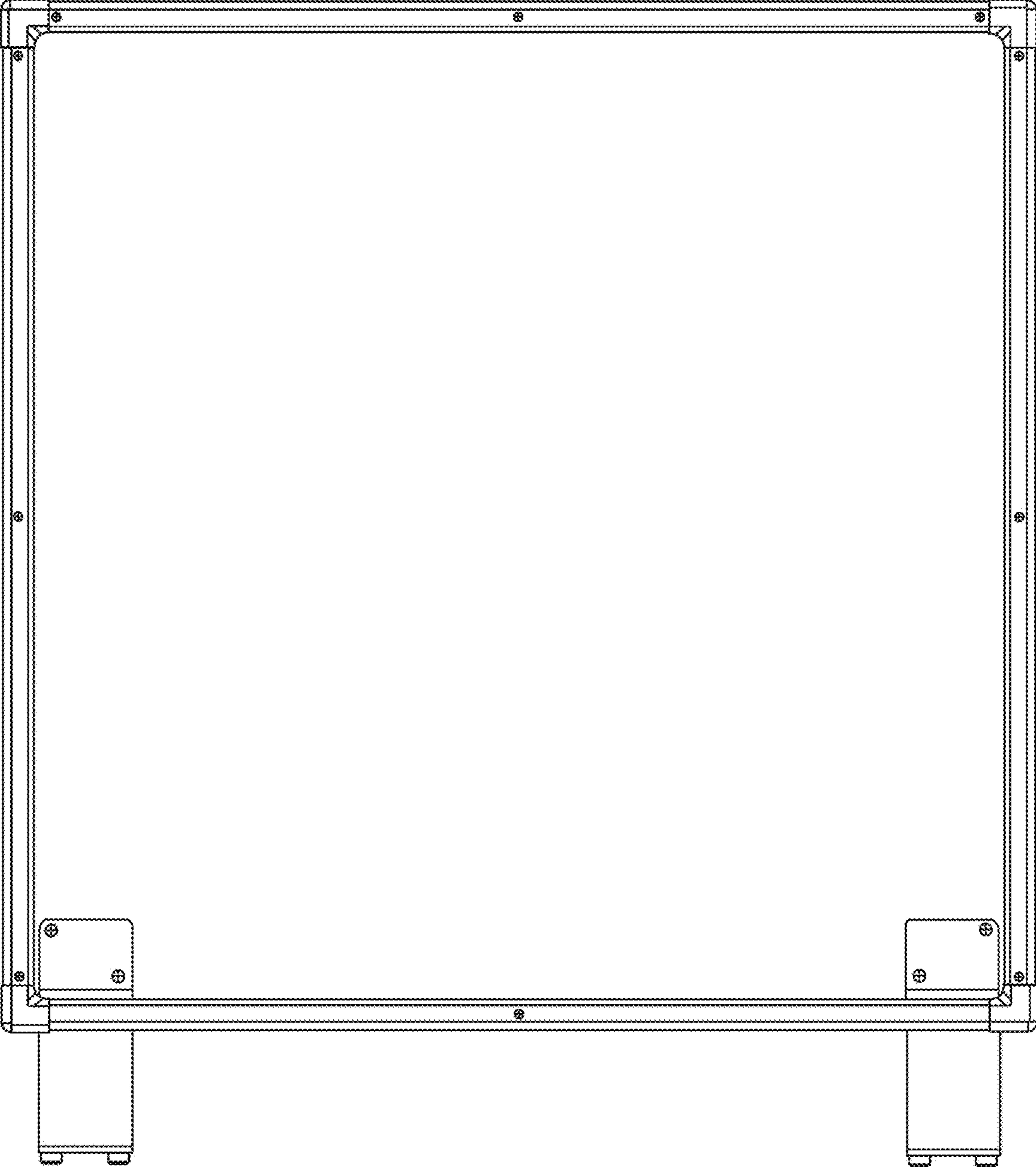


FIG. 3

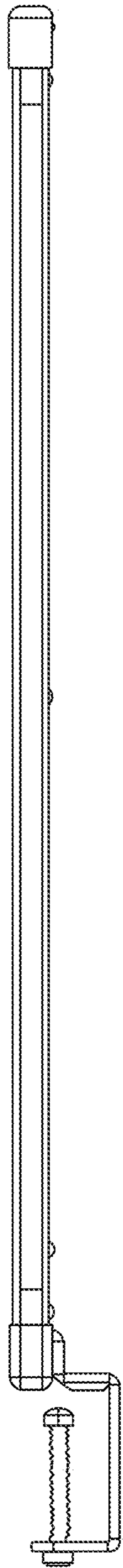


FIG. 4

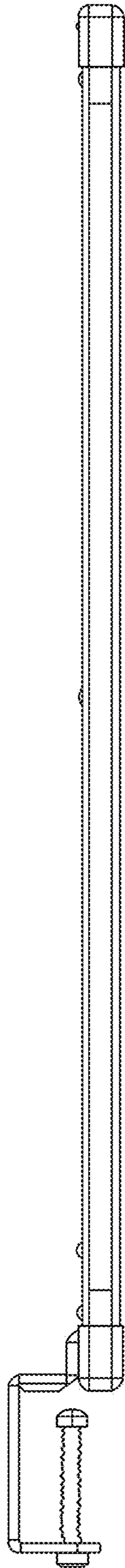


FIG. 5

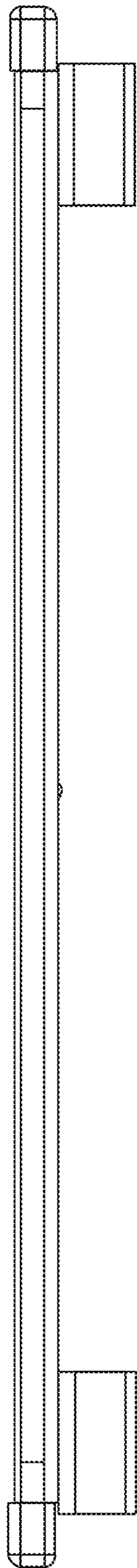


FIG. 6



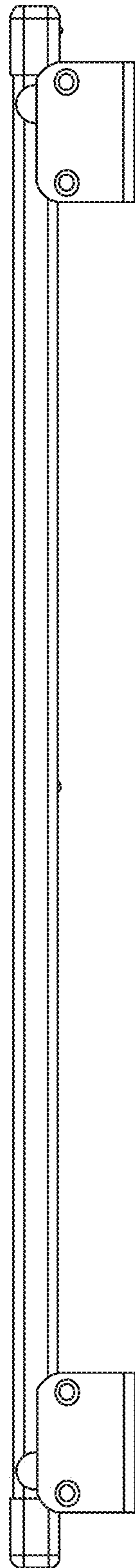


FIG. 7