



US00D894275S

(12) **United States Design Patent** (10) **Patent No.:** **US D894,275 S**  
**Taylor et al.** (45) **Date of Patent:** **\*\* Aug. 25, 2020**

- (54) **PENCIL BOX**
- (71) Applicant: **IdeaStream Consumer Products, LLC**, Cleveland, OH (US)
- (72) Inventors: **Curtis Taylor**, Chagrin Falls, OH (US); **Daniel Perella**, Hudson, OH (US); **Matthew Hanson**, Chagrin Falls, OH (US)
- (73) Assignee: **IdeaStream Consumer Products, LLC**, Cleveland, OH (US)
- (\*\*) Term: **15 Years**
- (21) Appl. No.: **29/660,421**
- (22) Filed: **Aug. 21, 2018**
- (51) **LOC (12) Cl.** ..... **19-06**
- (52) **U.S. Cl.**  
USPC ..... **D19/83; D3/294**
- (58) **Field of Classification Search**  
USPC ..... **D3/272, 273, 276, 279, 282, 284, 291, D3/294, 302, 900, 905, 903; D19/106, D19/81, 83**  
CPC ..... **A45C 11/34**  
See application file for complete search history.

- D586,557 S \* 2/2009 Jalet ..... D3/294
- D641,164 S \* 7/2011 Cornu ..... D3/294
- D653,450 S \* 2/2012 Walter ..... D3/302
- D660,440 S \* 5/2012 Roehrig ..... D24/194
- D675,434 S \* 2/2013 Vernall ..... D3/294
- D759,378 S \* 6/2016 West ..... D3/294
- D790,219 S \* 6/2017 Huang ..... D3/276

**OTHER PUBLICATIONS**

Amazon, "HQ Advance Products Plastic School Box, Assorted Colors (38008)", First on sale Mar. 15, 2010. (<https://www.amazon.com/dp/B003BT2R3U/>) (Year: 2010).\*

\* cited by examiner

*Primary Examiner* — April Rivas  
(74) *Attorney, Agent, or Firm* — Fay Sharpe LLP

(57) **CLAIM**

The ornamental design for a pencil box, as shown and described.

**DESCRIPTION**

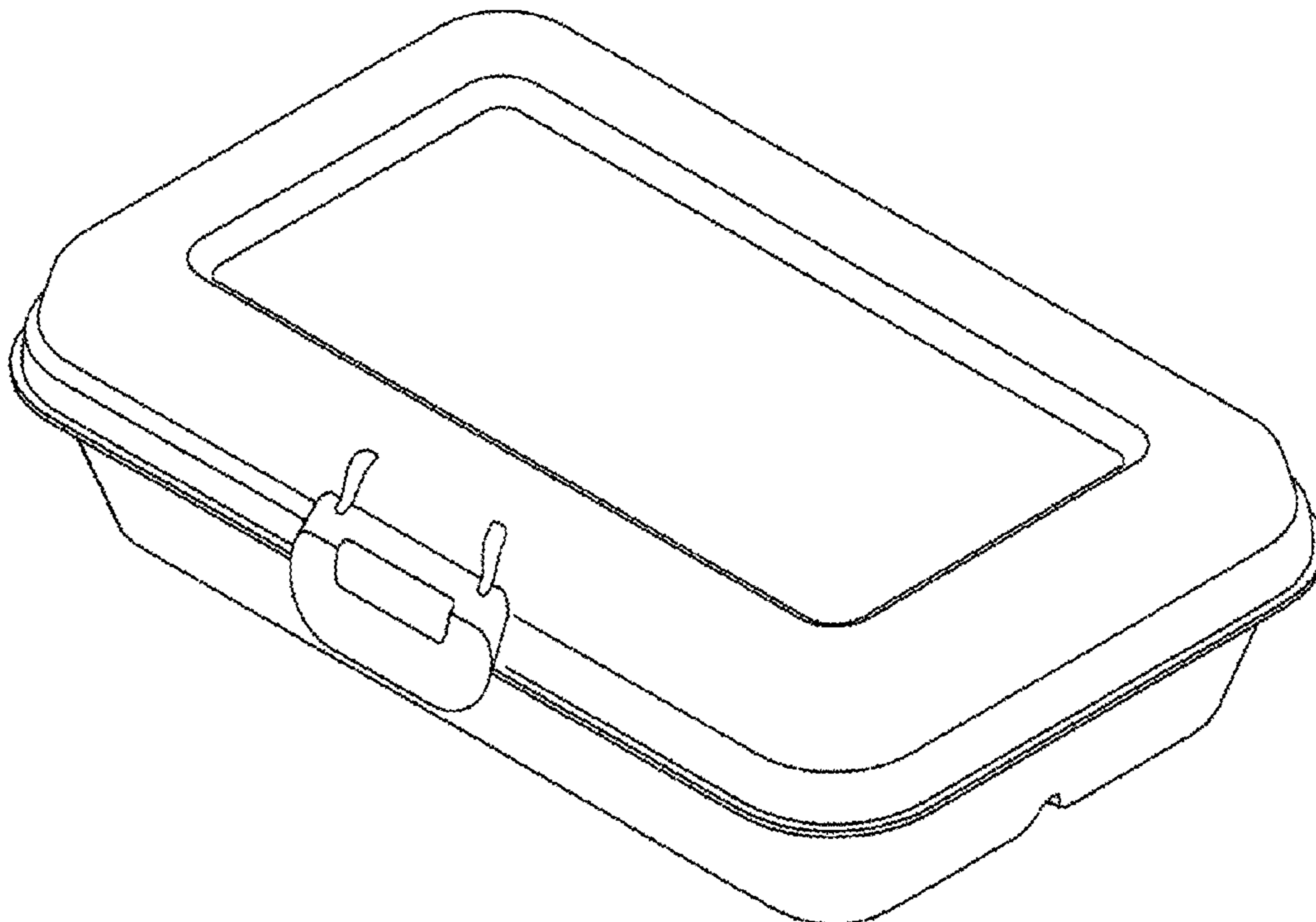
FIG. 1 is a top plan view of a pencil box showing my new design;  
FIG. 2 is a front side view of the pencil box showing my new design;  
FIG. 3 is a right side view of the pencil box of FIG. 1;  
FIG. 4 is a bottom plan view of the pencil box of FIG. 1;  
FIG. 5 a front and top perspective view of the pencil box of FIG. 1; and,  
FIG. 6 is a back and top perspective view of the pencil box of FIG. 1.

**1 Claim, 6 Drawing Sheets**

(56) **References Cited**

**U.S. PATENT DOCUMENTS**

- D335,896 S \* 5/1993 Evenson ..... D19/83
- D367,211 S \* 2/1996 Cautereels ..... D3/294
- D556,571 S \* 12/2007 Jalet ..... D9/432
- D566,395 S \* 4/2008 Langer ..... D3/294



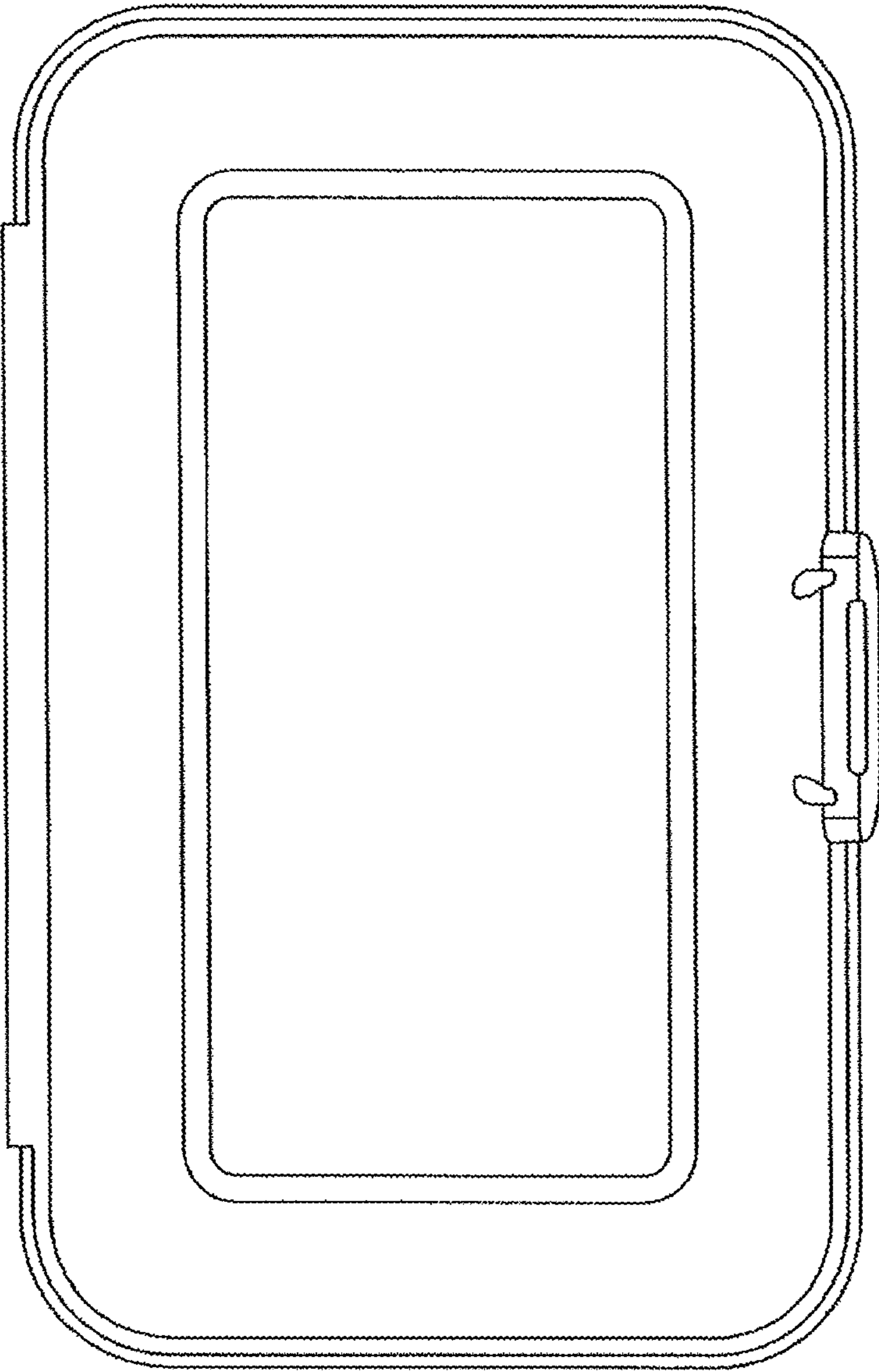


FIG. 1

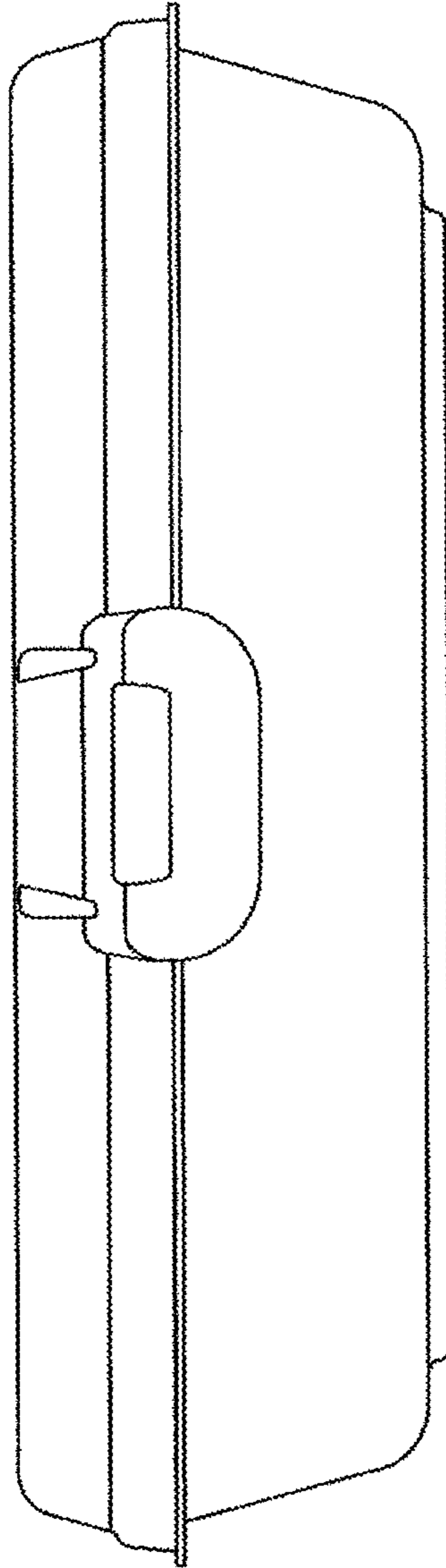


FIG. 2

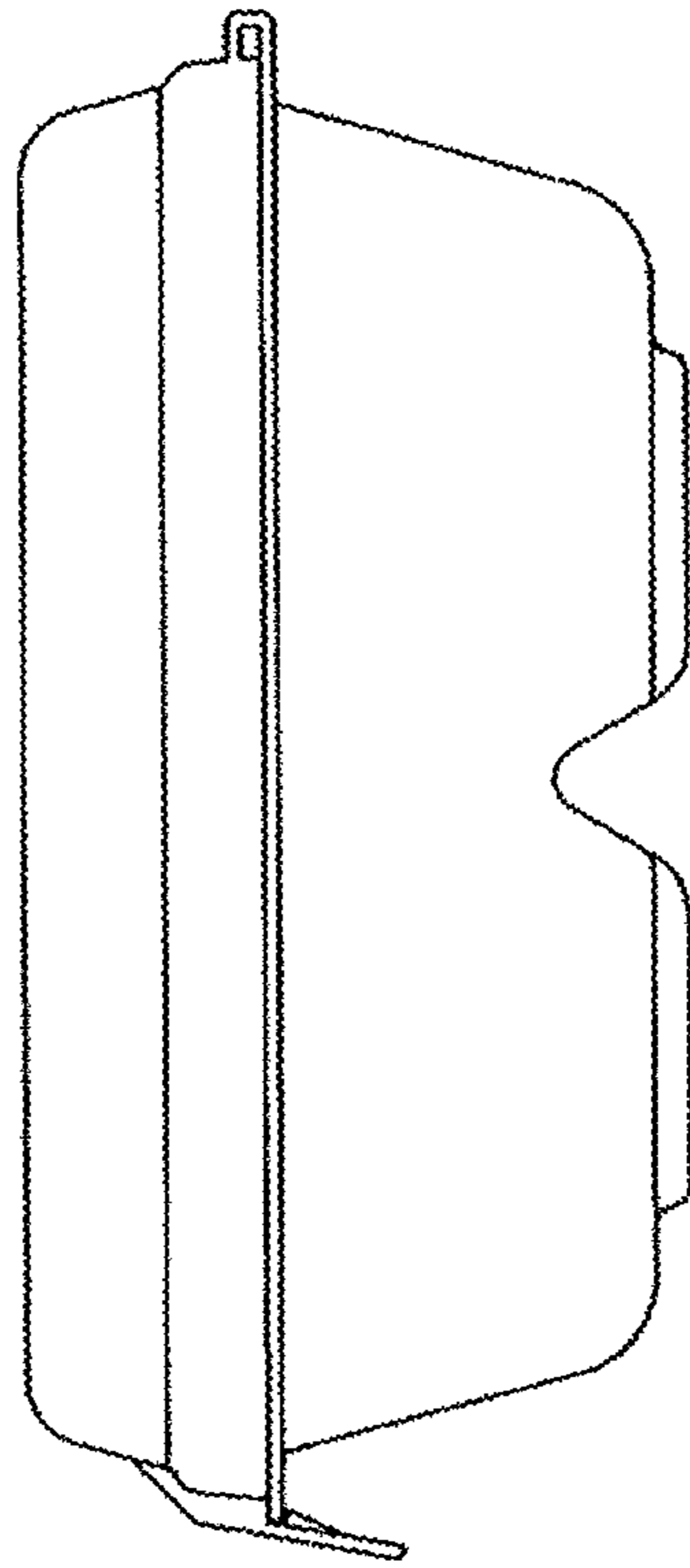


FIG. 3

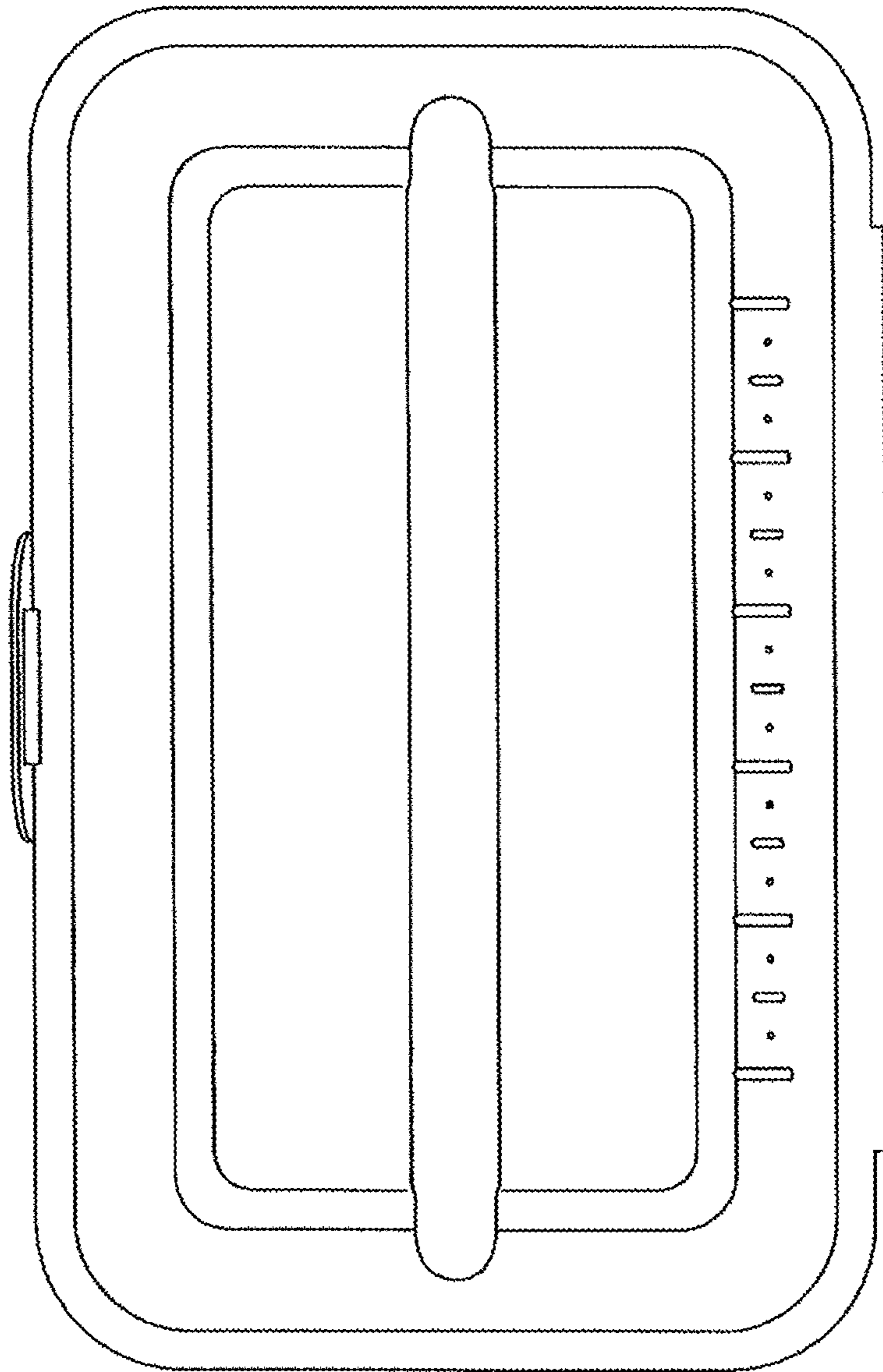


FIG. 4

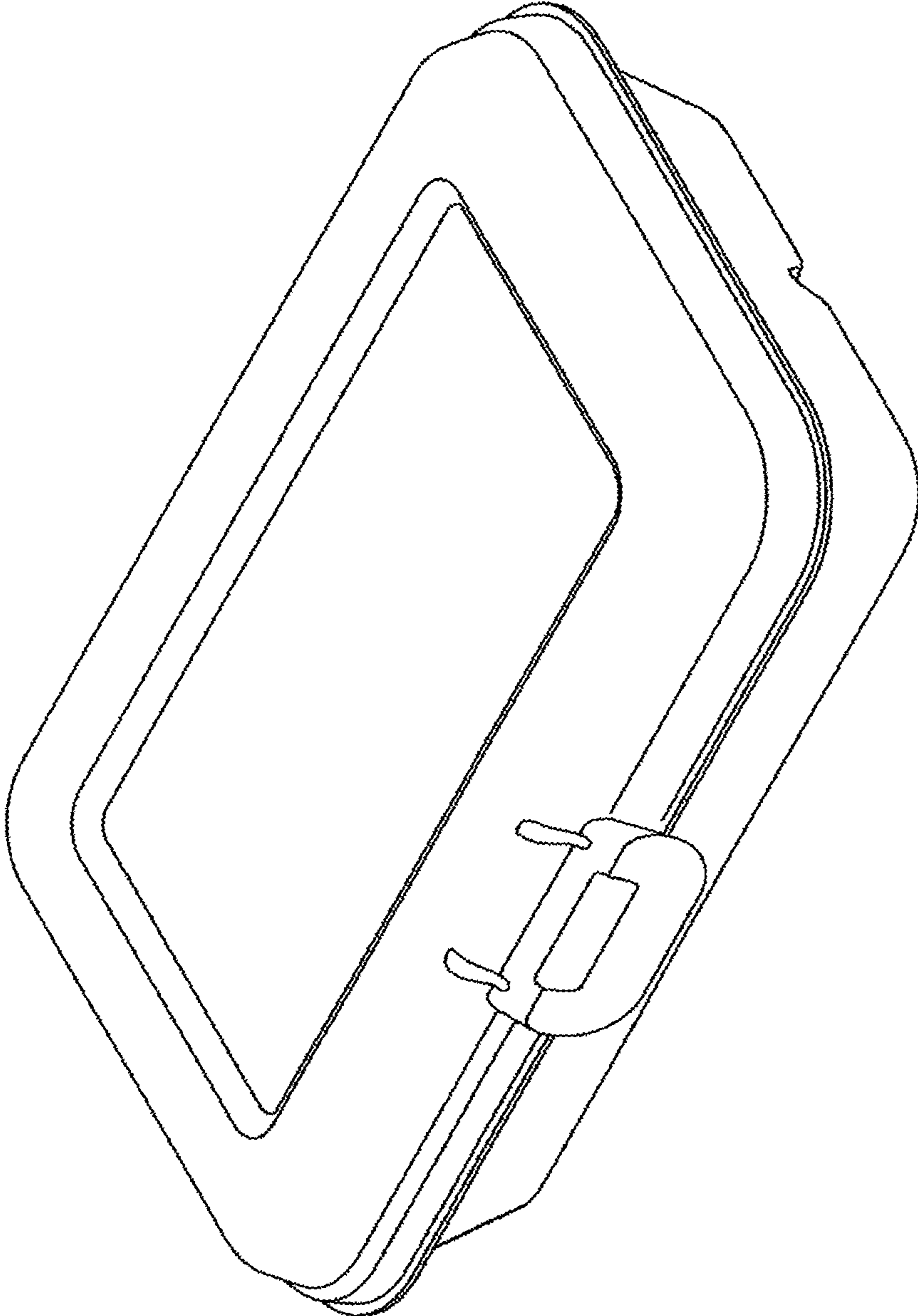


FIG. 5



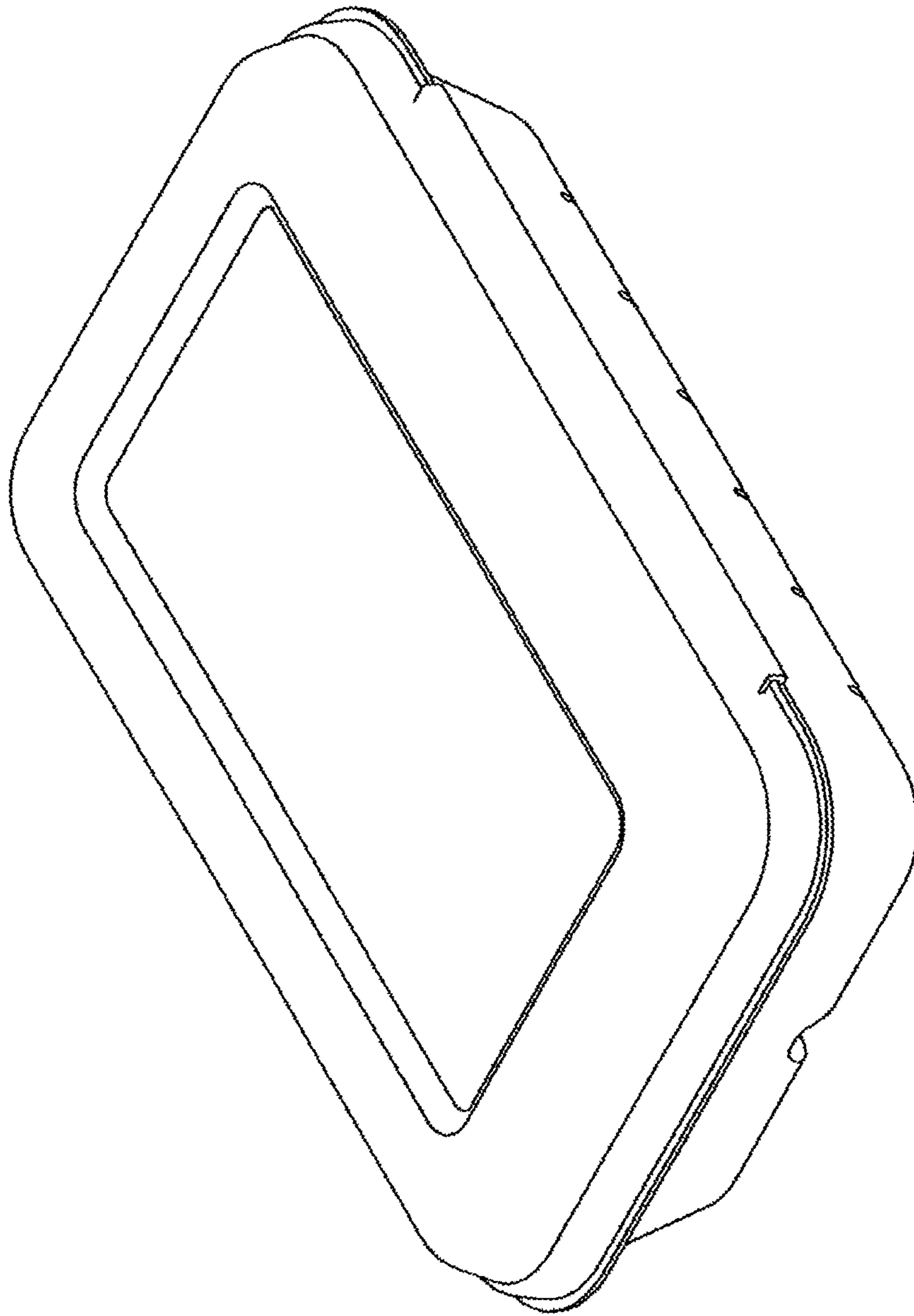


FIG. 6