

US00D894274S

(12) **United States Design Patent**
Davidov

(10) **Patent No.:** **US D894,274 S**
(45) **Date of Patent:** **** Aug. 25, 2020**

(54) **FOLDER**

(71) Applicant: **Aharon Davidov**, Kiryat Yam (IL)

(72) Inventor: **Aharon Davidov**, Kiryat Yam (IL)

(**) Term: **15 Years**

(21) Appl. No.: **29/653,370**

(22) Filed: **Jun. 14, 2018**

(51) **LOC (12) Cl.** **19-04**

(52) **U.S. Cl.**
USPC **D19/27**

(58) **Field of Classification Search**

USPC ... D19/26, 27, 32, 33, 34, 124, 100, 86, 91;
D3/303, 227, 900, 248; D9/433, 634;
D6/626

CPC B42F 17/00; B42F 19/00; B42F 21/00;
B42F 21/02; B42F 23/00; B42F 15/0011;
B42F 15/0017; B42F 15/0023; B42F
15/007; B42F 15/0082; B42F 15/0088;
B42F 15/0094; B42F 13/02; B42F 13/04;
B42F 13/06; B42F 13/08; B42F 13/10;
B42F 13/14; B42F 13/65; B42F 3/06;
G09F 5/00; G09F 5/02; G09F 5/04; G09F
2005/041; G09F 5/042; B42B 5/12; B42B
5/123; B42B 5/126; B42C 7/00; B42C
7/01; B42C 7/02; B42C 7/03; B42C 7/04;
B42C 7/05; B42C 7/06; B42C 7/07;
B42C 7/08; B42C 7/09

See application file for complete search history.

(56) **References Cited**

U.S. PATENT DOCUMENTS

- 1,121,197 A * 12/1914 McMillan B42F 13/0033
402/31
- 1,414,758 A * 5/1922 Stavenhagen B42F 13/0033
402/60
- D341,374 S * 11/1993 Ferranti D19/27
- D397,721 S * 9/1998 Guyer D19/27

- D399,525 S * 10/1998 Parker D19/26
- D417,695 S * 12/1999 Riley D19/26
- D434,797 S * 12/2000 Meyerhoff D19/26
- D462,987 S * 9/2002 Ruscetta D19/26
- D467,966 S * 12/2002 Lepisto D19/26
- D522,054 S * 5/2006 Martinez D19/26
- D545,363 S * 6/2007 McCormack D19/27
- 7,661,900 B2 * 2/2010 Merzon A45C 3/02
206/450

FOREIGN PATENT DOCUMENTS

- EP 183660 A2 * 3/1984 B42F 13/16
- EP 206911 A1 * 6/1985 B42F 13/16

* cited by examiner

Primary Examiner — Lauren D McVey

(74) *Attorney, Agent, or Firm* — William Dippert;
Laurence Greenberg; Werner Stemer

(57) **CLAIM**

The ornamental design for a folder, as shown and described.

DESCRIPTION

FIG. 1 is a back isometric oblique view showing my new design for a folder of the present invention in an open position;

FIG. 2 is a front isometric oblique view thereof;

FIG. 3 is a frontal isometric oblique view thereof;

FIG. 4 is a side elevation view thereof the opposite side elevation view is a mirror image thereof;

FIG. 5 is a top plan view thereof; the bottom plan view is a mirror image thereof;

FIG. 6 is an isometric oblique view showing the design for the folder of the present invention in a closed position;

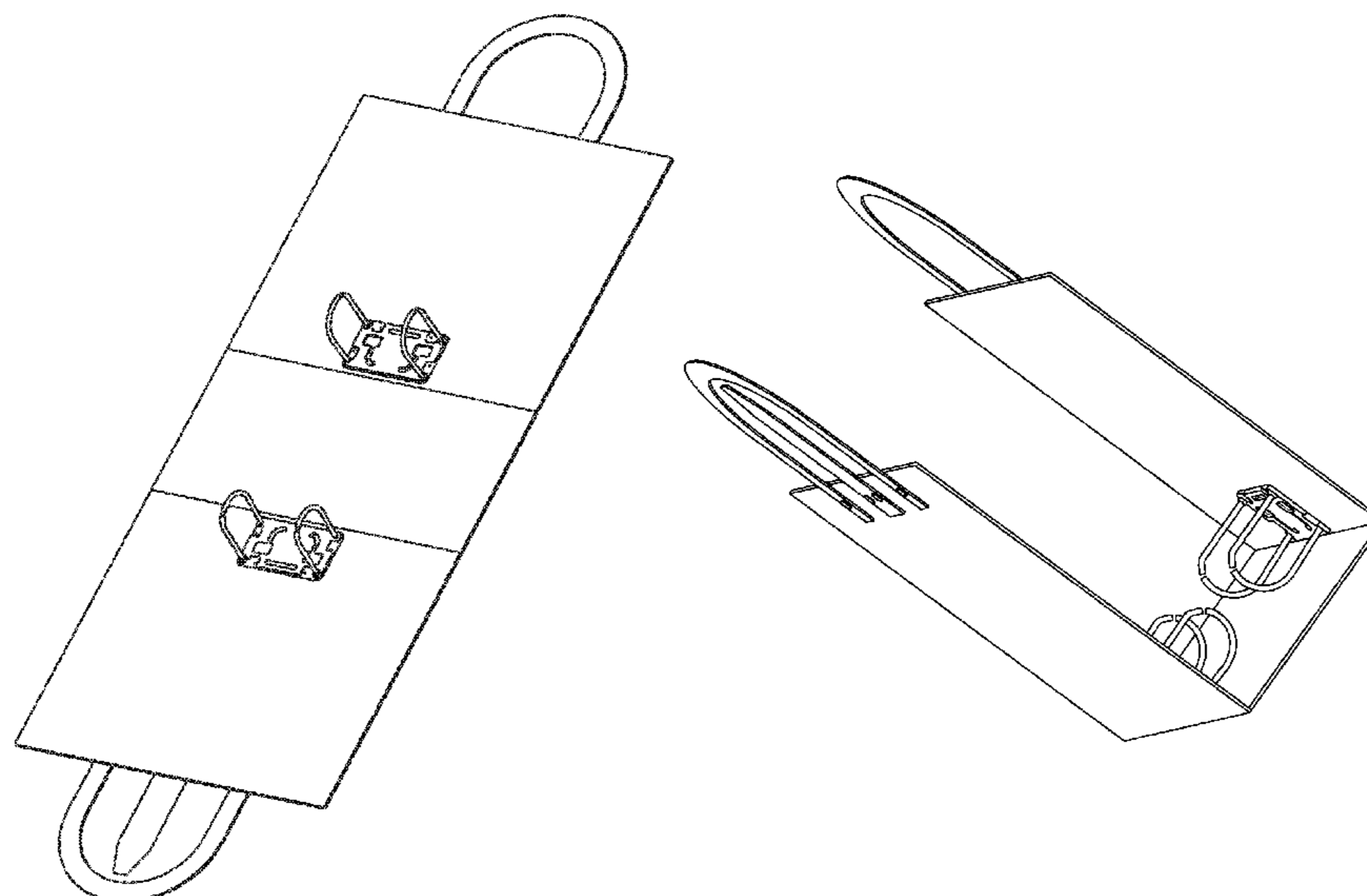
FIG. 7 is a back elevation thereof;

FIG. 8 is a right side elevation view thereof;

FIG. 9 is a top plan view thereof; the bottom plan view is a mirror image thereof; and,

FIG. 10 is a left side elevation view thereof.

1 Claim, 6 Drawing Sheets



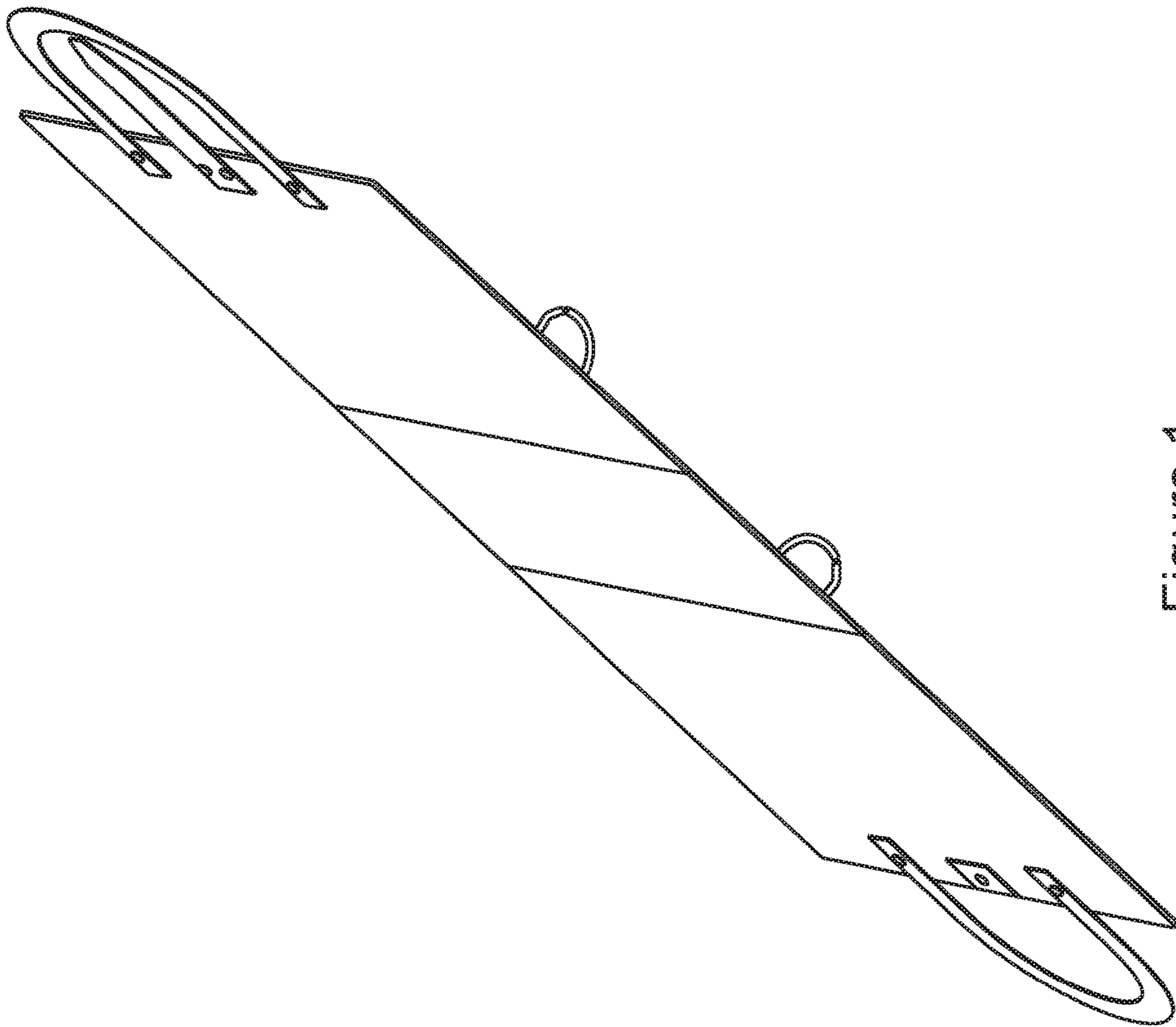


Figure 1

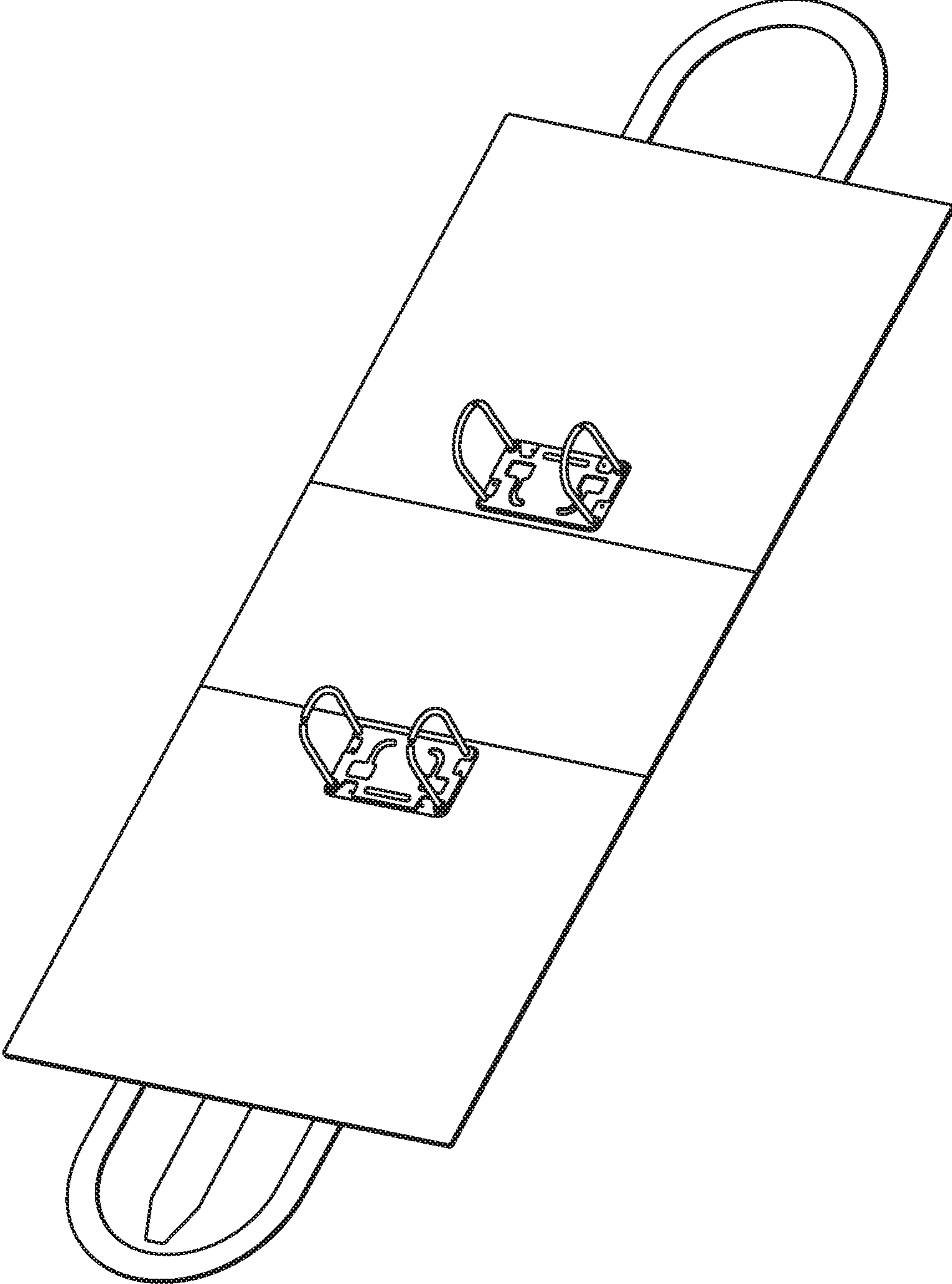


Figure 2

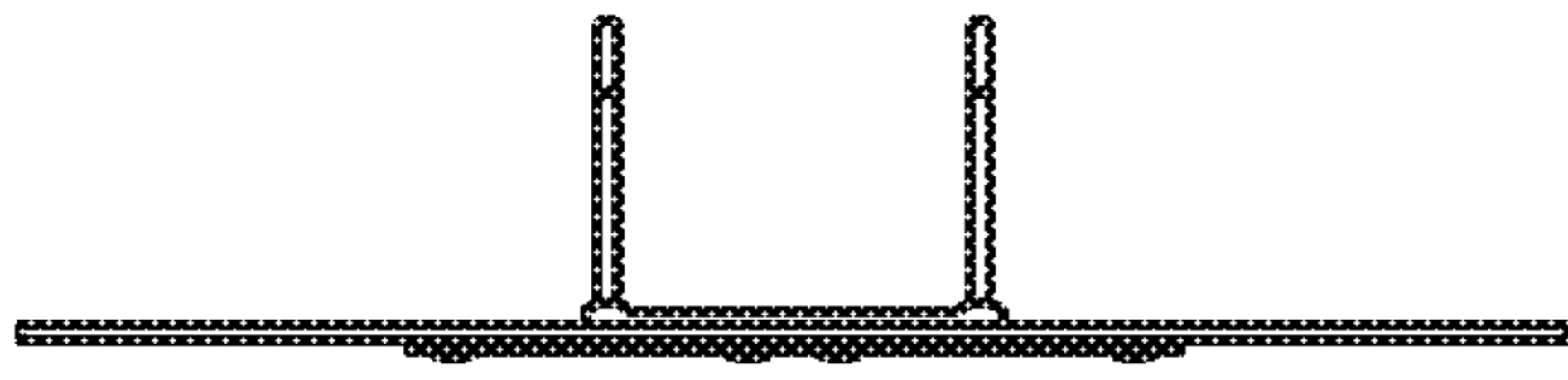


Figure 4

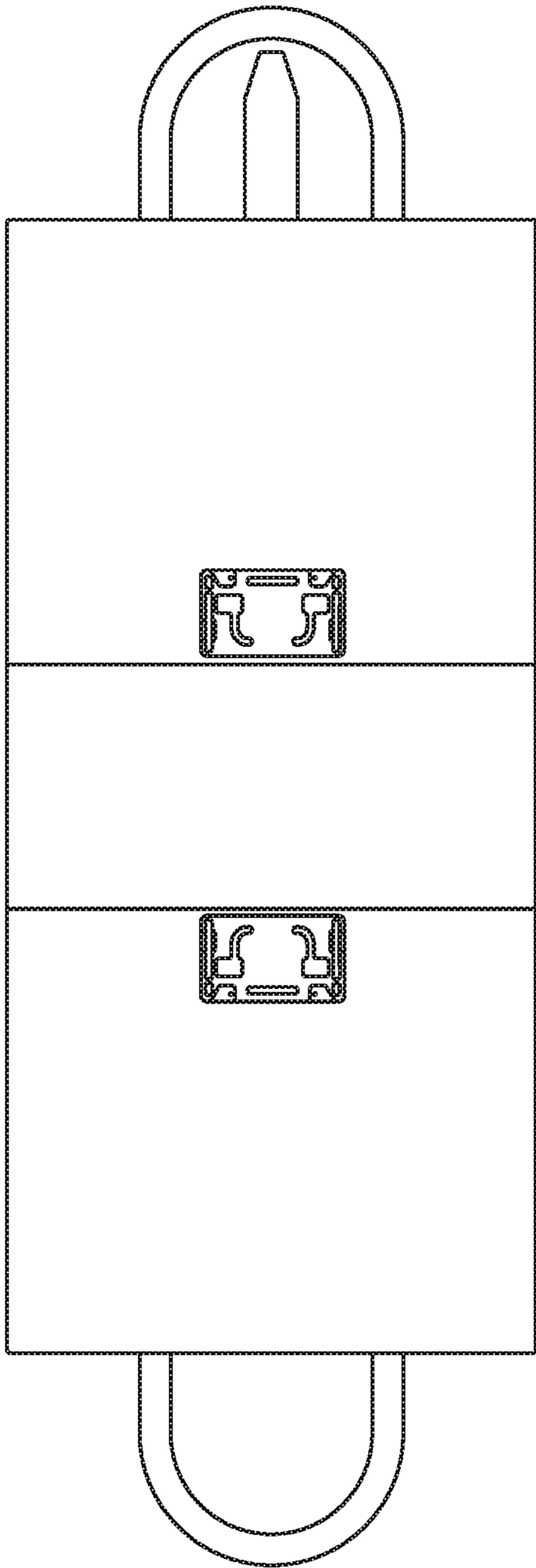


Figure 3

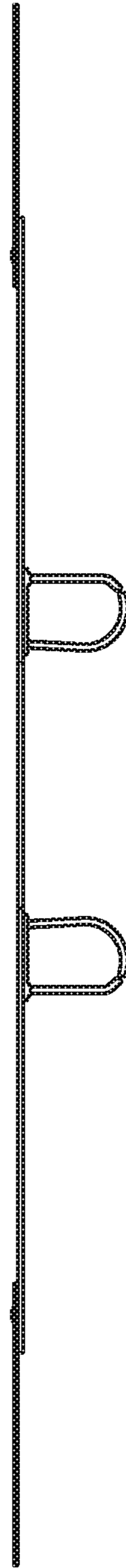


Figure 5

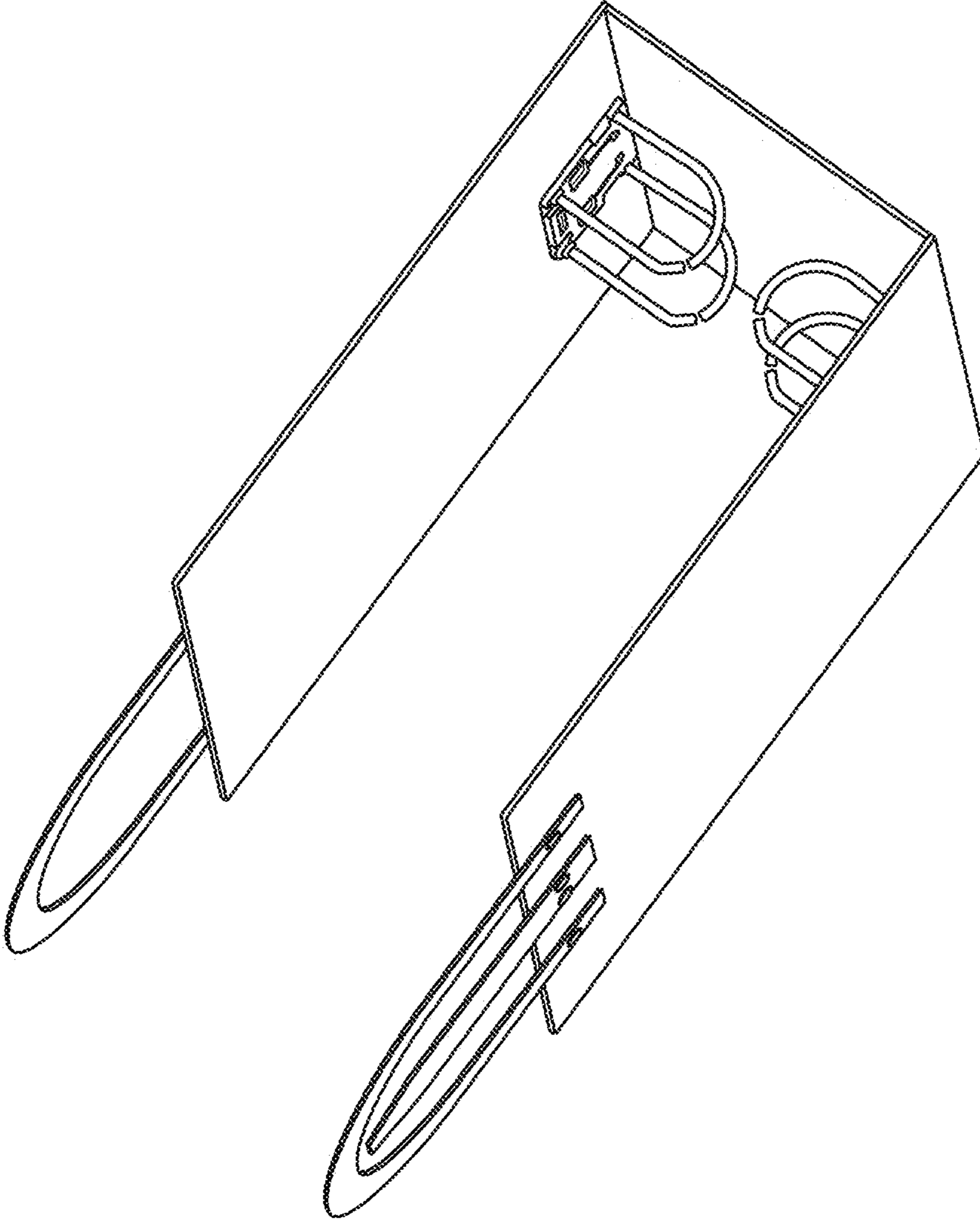


Figure 6

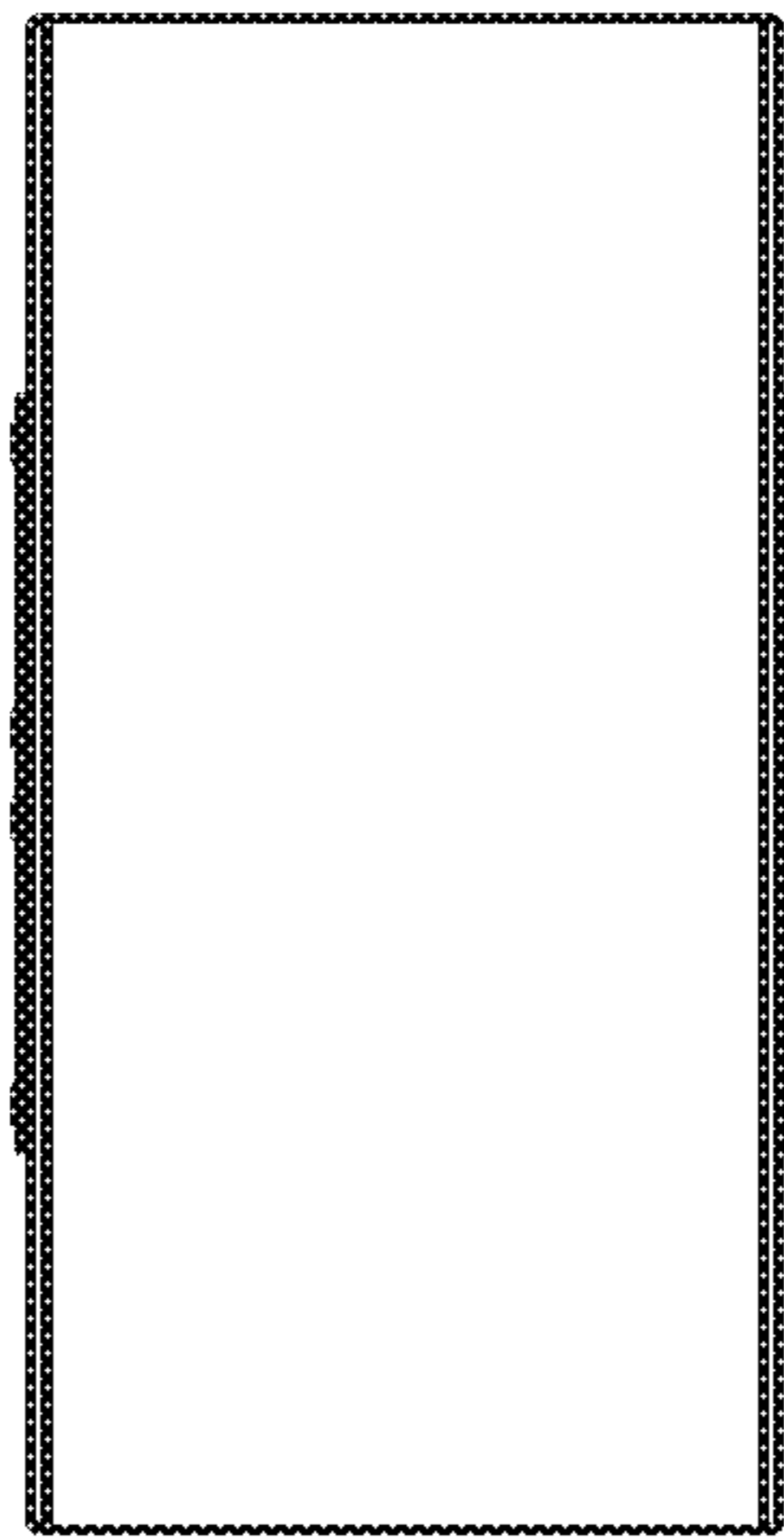


Figure 7

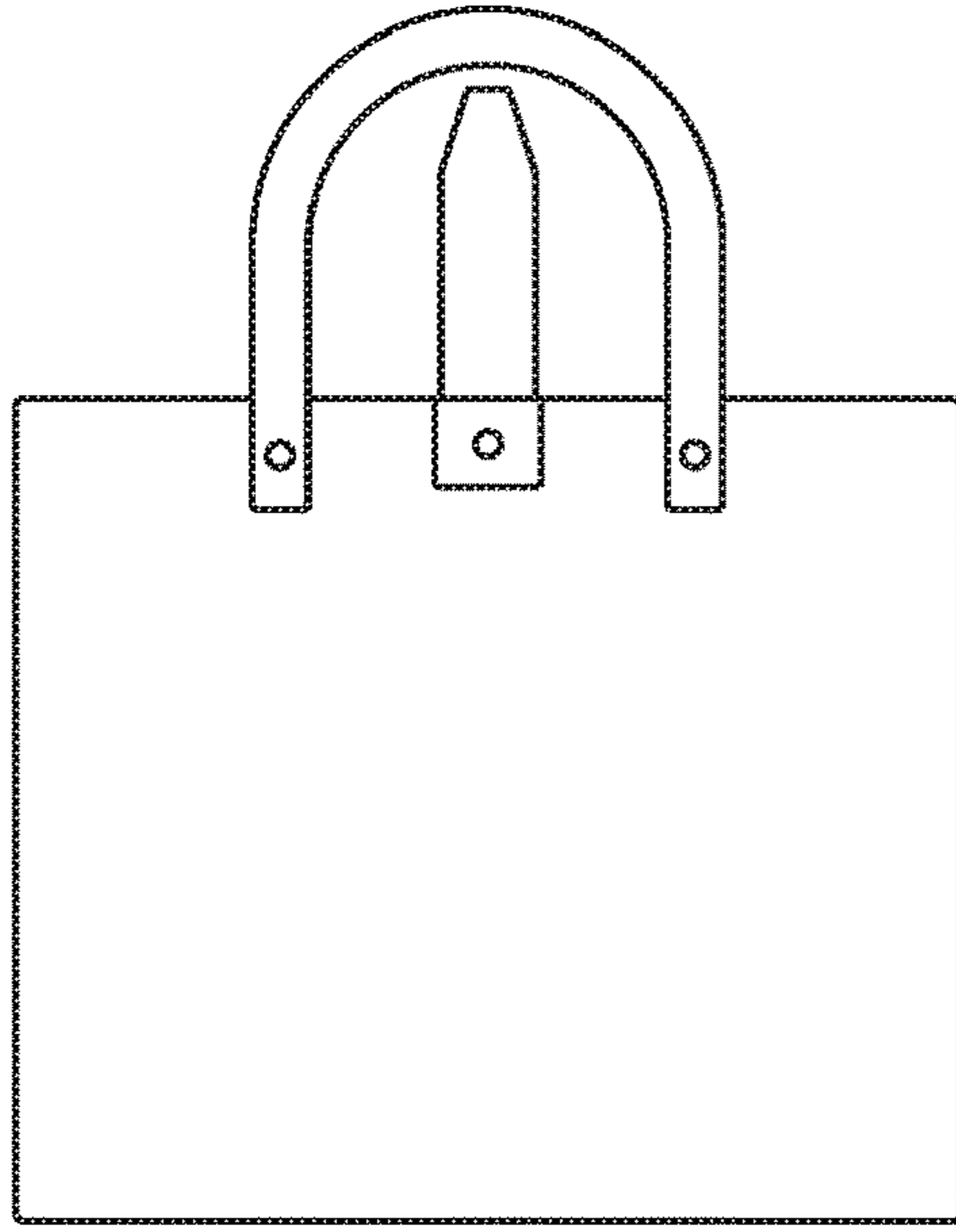


Figure 10



Figure 9

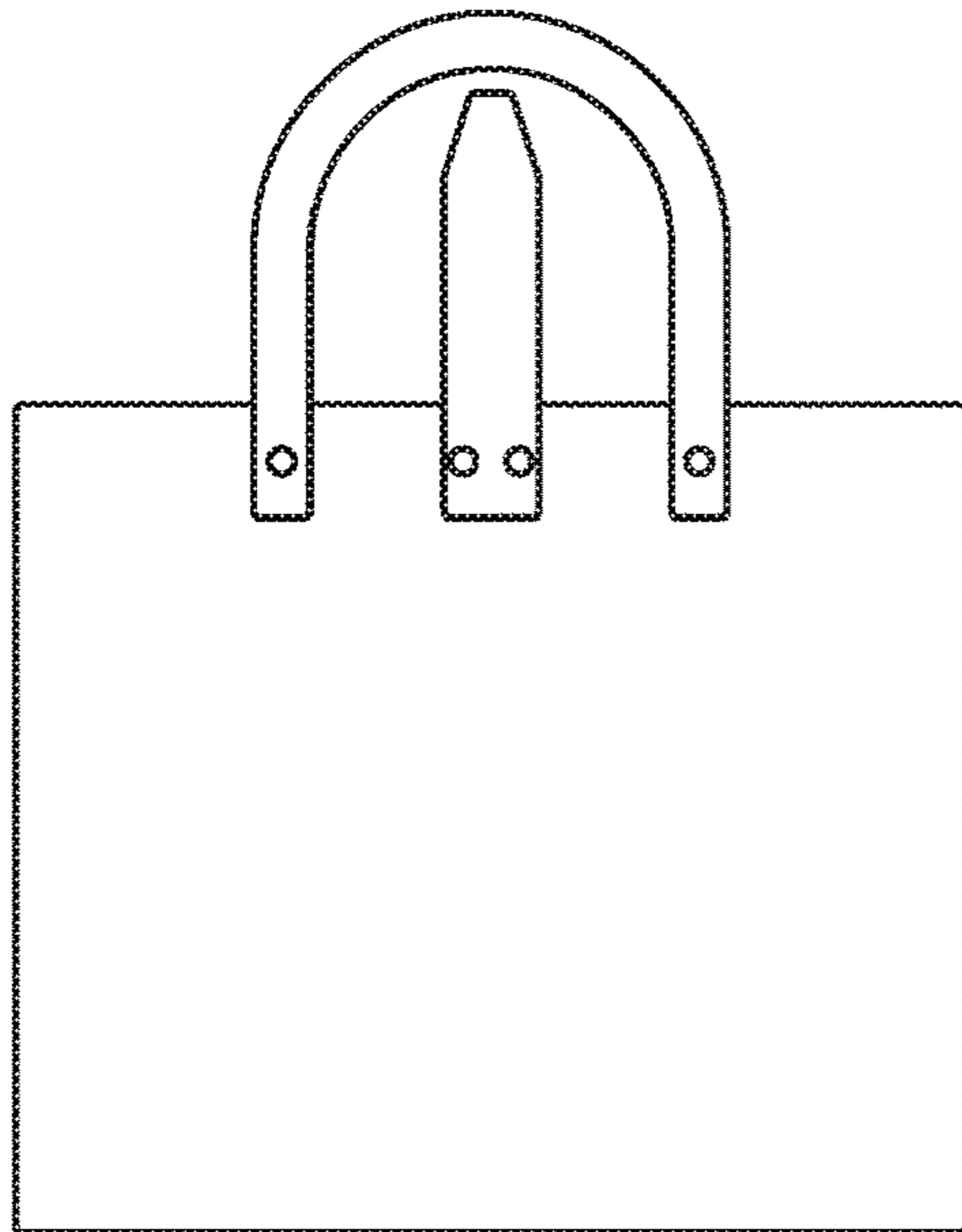


Figure 8