



US00D894272S

(12) **United States Design Patent**  
**Gettelfinger et al.**

(10) **Patent No.:** **US D894,272 S**

(45) **Date of Patent:** **\*\* Aug. 25, 2020**

(54) **FRONT PANEL OF MULTI-FUNCTION  
ELECTROPHOTOGRAPHIC PRINTER  
SCANNER**

1/00278; G06K 15/12; G06K 15/14; B41J  
3/00; B41J 3/28; B41J 3/445; B41J 3/46  
See application file for complete search history.

(71) Applicant: **Lexmark International, Inc.**,  
Lexington, KY (US)

(72) Inventors: **Darin Michael Gettelfinger**, Lexington,  
KY (US); **Matthew Ryan Keniston**,  
Lexington, KY (US); **Franklin Joseph  
Palumbo**, Nicholasville, KY (US);  
**Michael James Shanor**, Lexington, KY  
(US); **Jay Scott Siekmann**,  
Nicholasville, KY (US); **Christopher  
Kent Washing**, Lexington, KY (US)

(73) Assignee: **LEXMARK INTERNATIONAL,  
INC.**, Lexington, KY (US)

(\*\*) Term: **15 Years**

(21) Appl. No.: **29/655,633**

(22) Filed: **Jul. 5, 2018**

**Related U.S. Application Data**

(63) Continuation of application No. 29/547,833, filed on  
Dec. 8, 2015, now abandoned.

(51) **LOC (12) Cl.** ..... **14-02**

(52) **U.S. Cl.**  
USPC ..... **D18/56**

(58) **Field of Classification Search**  
USPC ..... D18/55, 50, 53, 54, 56, 59, 36, 37, 38,  
D18/39, 40, 41, 45, 49; D14/301, 307,  
D14/121

CPC ..... H04N 1/00204; H04N 1/00249; H04N

(56) **References Cited**

U.S. PATENT DOCUMENTS

3,740,132 A \* 6/1973 Komori ..... G03B 27/6228  
399/95  
D280,205 S \* 8/1985 Okuyama ..... D18/36  
(Continued)

FOREIGN PATENT DOCUMENTS

JP D1529830 \* 7/2015

OTHER PUBLICATIONS

Amazon. Link: [https://www.amazon.com/dp/B01B6LY87M/ref=cm\\_sw\\_em\\_r\\_mt\\_dp\\_U\\_5MuxDbJED3J0E](https://www.amazon.com/dp/B01B6LY87M/ref=cm_sw_em_r_mt_dp_U_5MuxDbJED3J0E). Jan. 28, 2016. Lexmark CS725de Color Laser Printer. (Year: 2016).\*  
(Continued)

*Primary Examiner* — Lauren D McVey

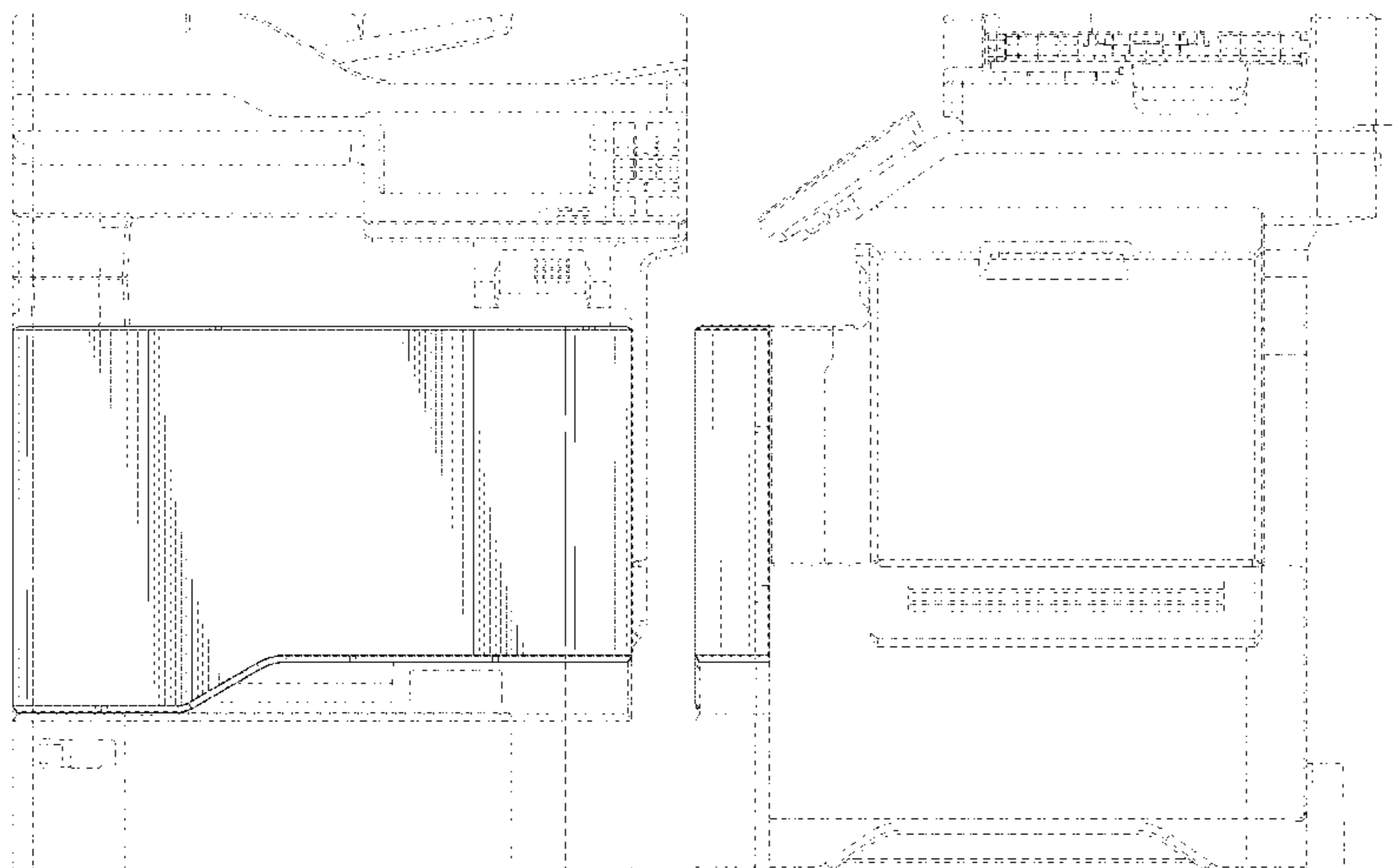
(57) **CLAIM**

The ornamental design for a front panel of multi-function electrophotographic printer scanner, as shown and described.

**DESCRIPTION**

FIG. 1 is a front, top, and right side perspective view of a front panel of a multi-function electrophotographic printer scanner showing our new design;  
FIG. 2 is a rear, top, and left side perspective thereof;  
FIG. 3 is a front elevation thereof;  
FIG. 4 is a right side view elevation thereof;  
FIG. 5 is a rear elevation view thereof;  
FIG. 6 is a left side elevation view thereof; and,  
FIG. 7 is a top plan view thereof.  
The bottom of the multi-function electrophotographic printer scanner is not shown and is not claimed.

(Continued)



The features shown in broken lines depict environmental subject matter only and form no part of the claimed design.

**1 Claim, 7 Drawing Sheets**

D678,941	S	*	3/2013	Gilbert	.....	D18/55
D689,544	S	*	9/2013	Penke	.....	D18/50
D755,284	S	*	5/2016	Terenzio	.....	D18/50
D795,953	S	*	8/2017	Clark, III	.....	D18/55

OTHER PUBLICATIONS

(56)

**References Cited**

U.S. PATENT DOCUMENTS

D282,933	S	*	3/1986	Hara	.....	D18/36
D289,165	S	*	4/1987	Oshima	.....	D14/462
5,331,373	A	*	7/1994	Nomura	.....	G03G 21/1864 347/138
5,878,309	A	*	3/1999	Nomura	.....	G03G 21/181 399/111
6,643,482	B2	*	11/2003	Higeta	.....	G03G 21/181 399/109
D619,639	S	*	7/2010	Brown	.....	D18/40
D655,747	S	*	3/2012	Shin	.....	D18/39

Amazon. Link: [https://www.amazon.com/dp/B01BBL1JYM/ref=cm\\_sw\\_em\\_r\\_mt\\_dp\\_U\\_kT1IDbSCYVMRH](https://www.amazon.com/dp/B01BBL1JYM/ref=cm_sw_em_r_mt_dp_U_kT1IDbSCYVMRH). Jan. 25, 2016. Lexmark CX725DHE Color Laser Multifunction Printer (40C9501). (Year: 2016).\*

Amazon. Link: [https://www.amazon.com/dp/B01BBL1MVM/ref=cm\\_sw\\_em\\_r\\_mt\\_dp\\_U\\_6txDbDE7XH8S](https://www.amazon.com/dp/B01BBL1MVM/ref=cm_sw_em_r_mt_dp_U_6txDbDE7XH8S). Jan. 25, 2016. Lexmark CX825DTE Color Laser Multifunction Printer (42K0041). (Year: 2016).\*

Amazon. Link: [https://www.amazon.com/dp/B07JFP3DR3/ref=cm\\_sw\\_em\\_r\\_mt\\_dp\\_U\\_IRuxDbVNAMTVR](https://www.amazon.com/dp/B07JFP3DR3/ref=cm_sw_em_r_mt_dp_U_IRuxDbVNAMTVR). Oct. 9, 2018. Lexmark B2650dw Monochrome Laser Printer (36SC471). (Year: 2018).\*

\* cited by examiner

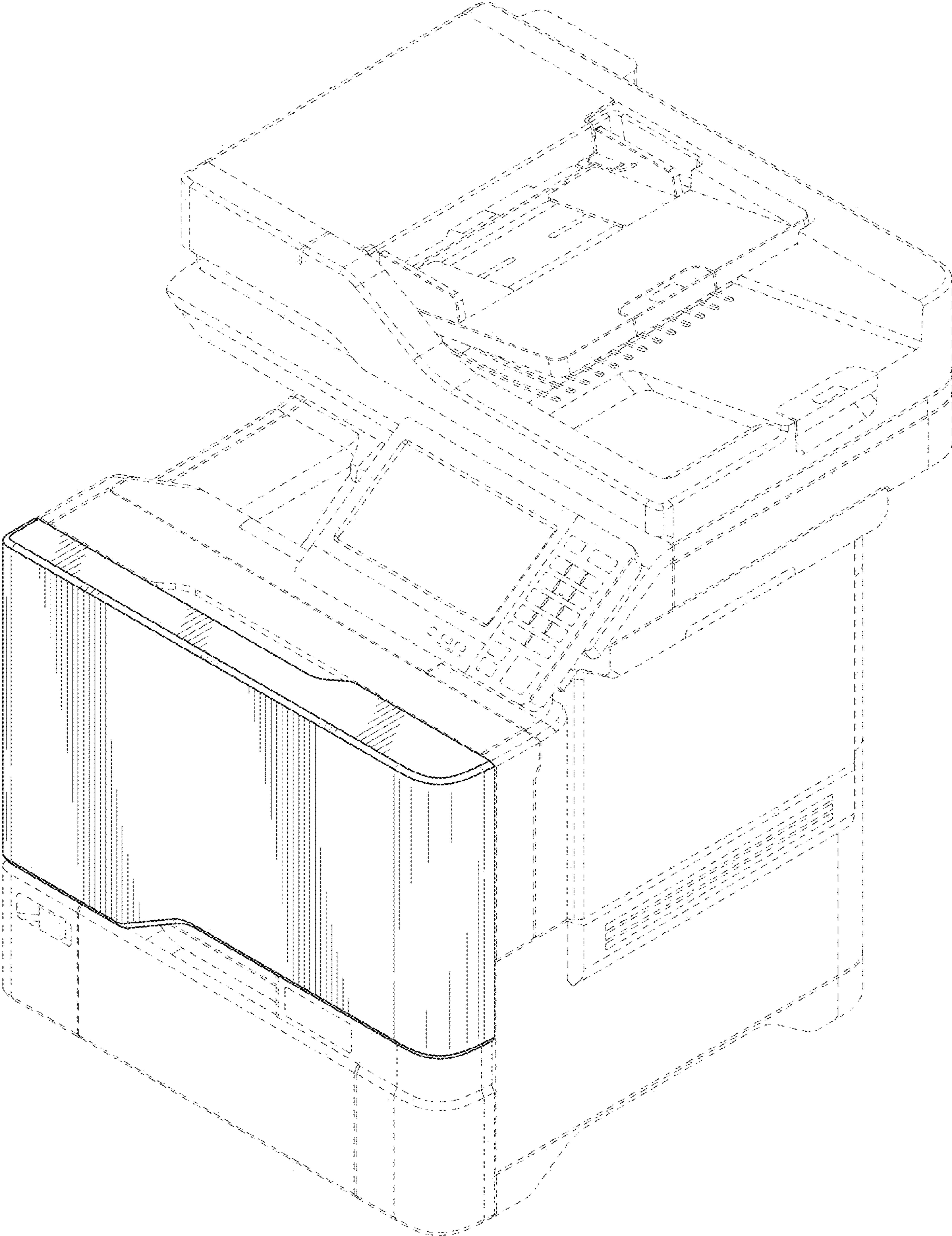


FIG. 1

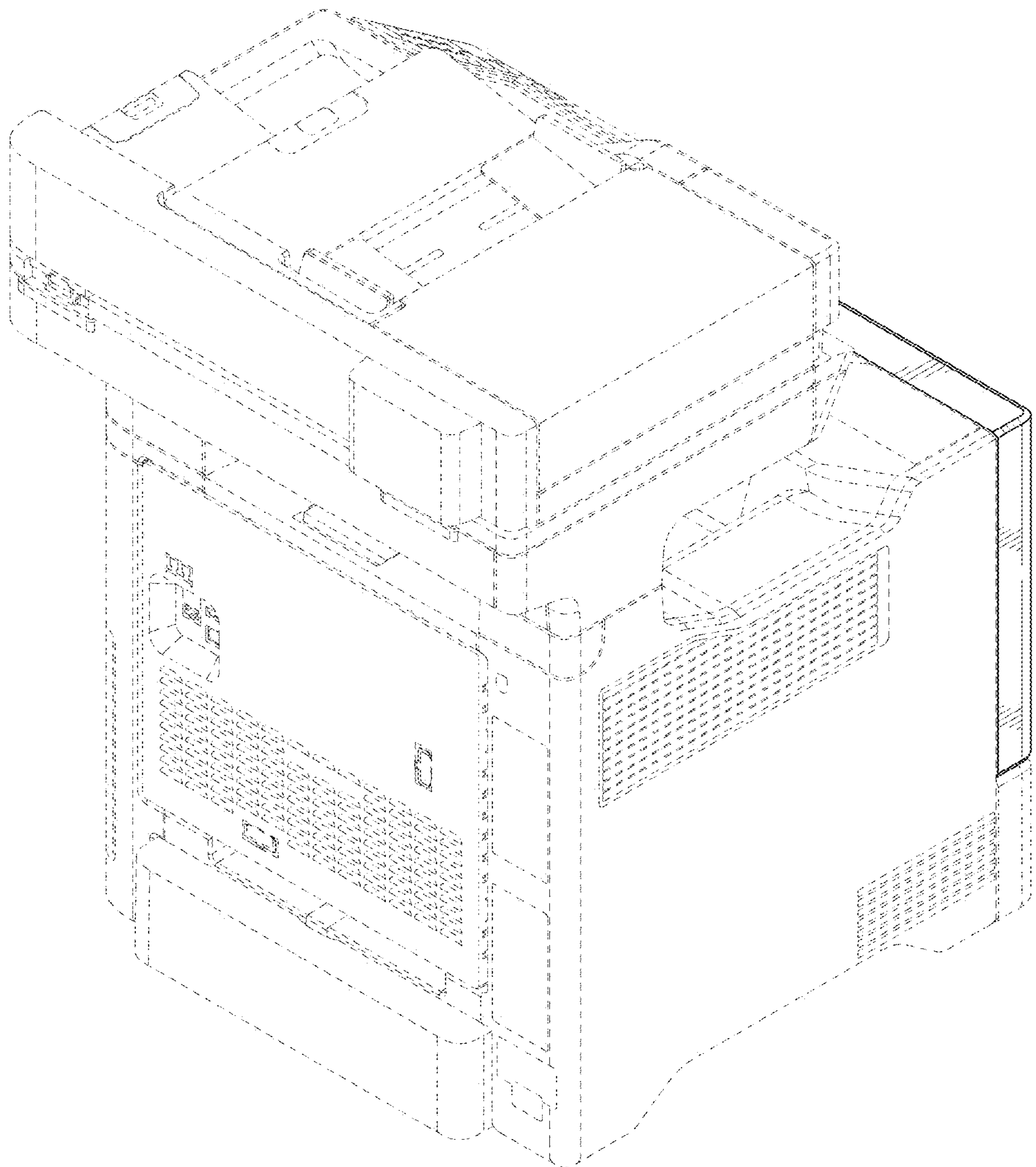


FIG. 2

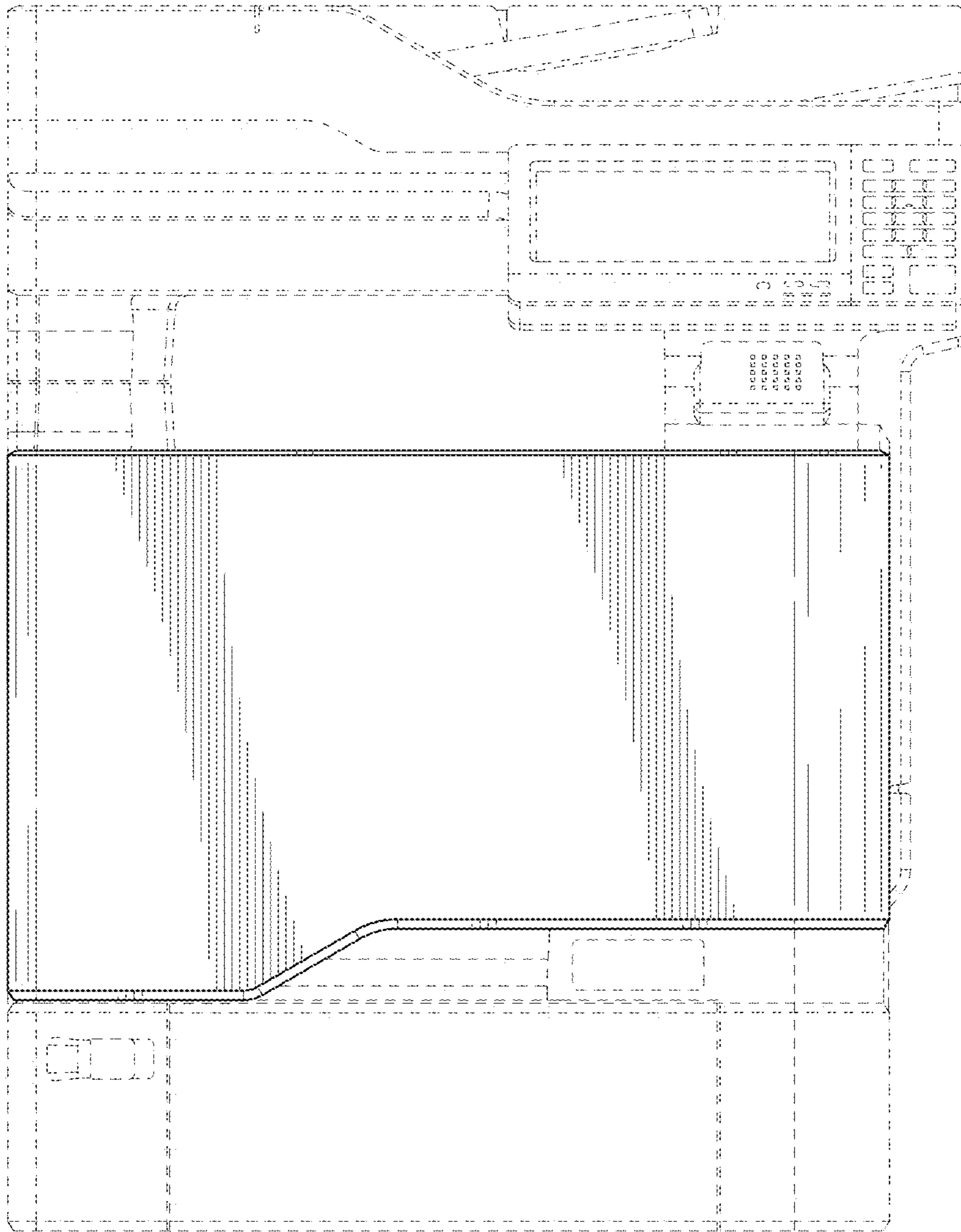


FIG. 3

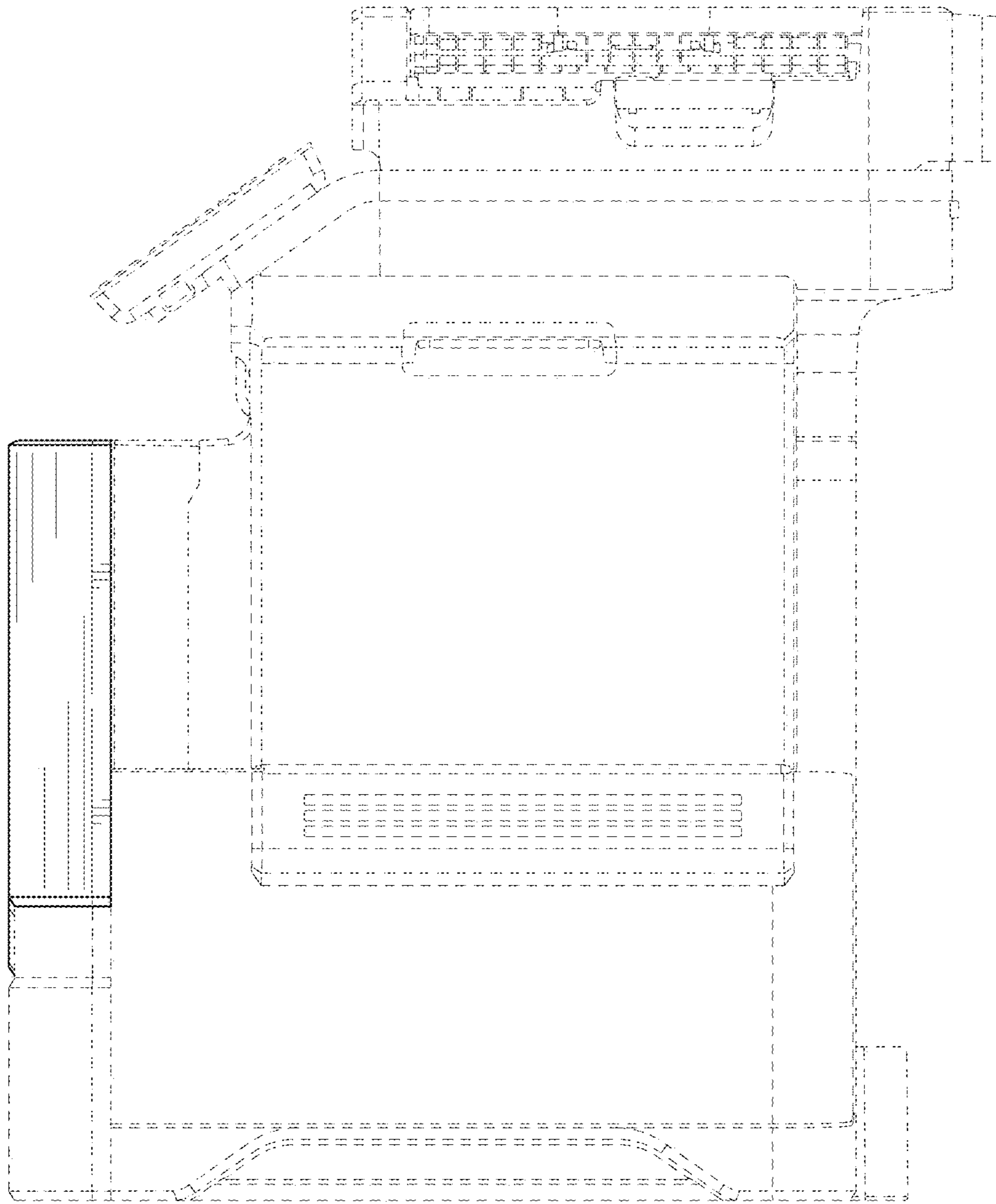


FIG. 4



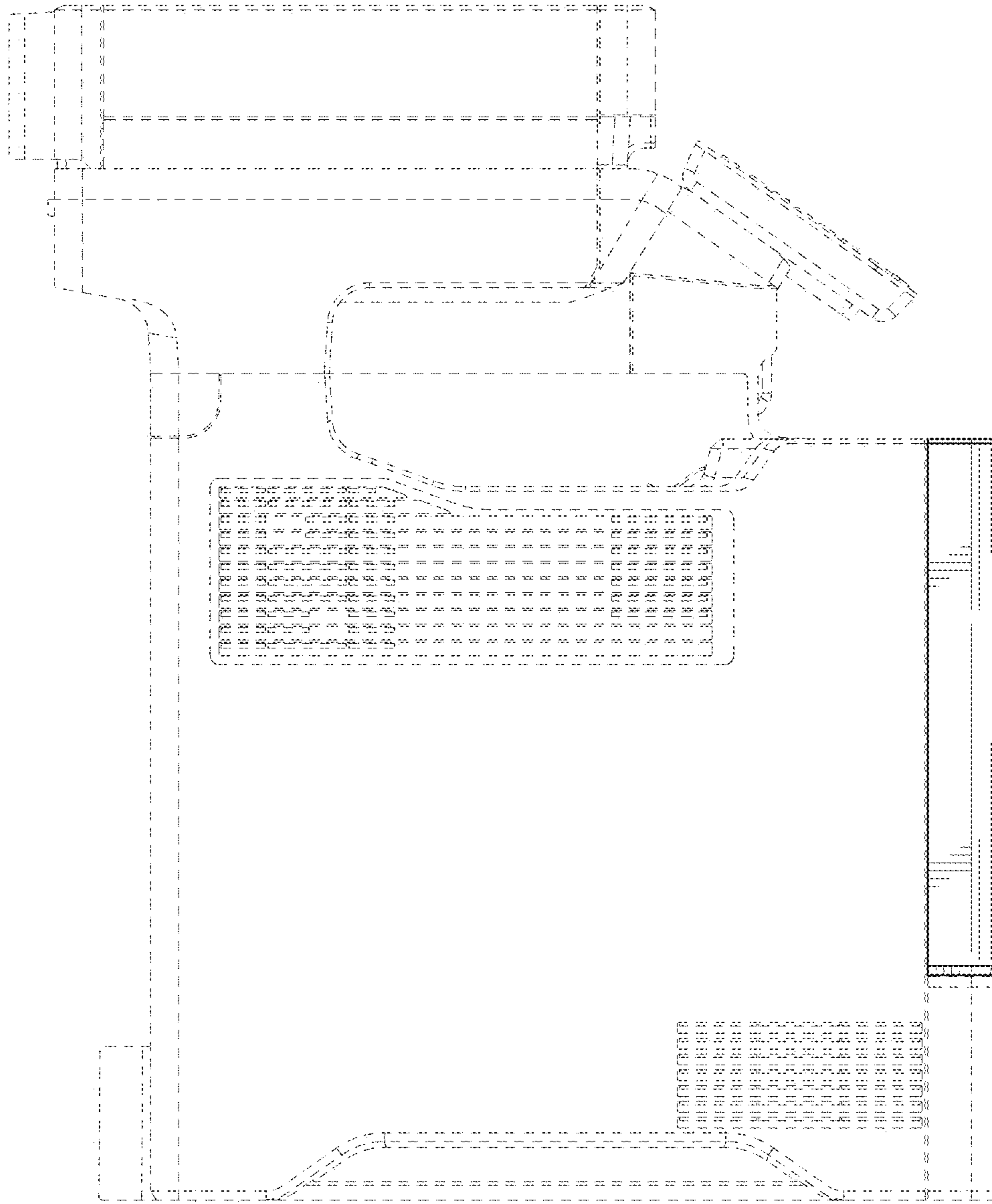


FIG. 6



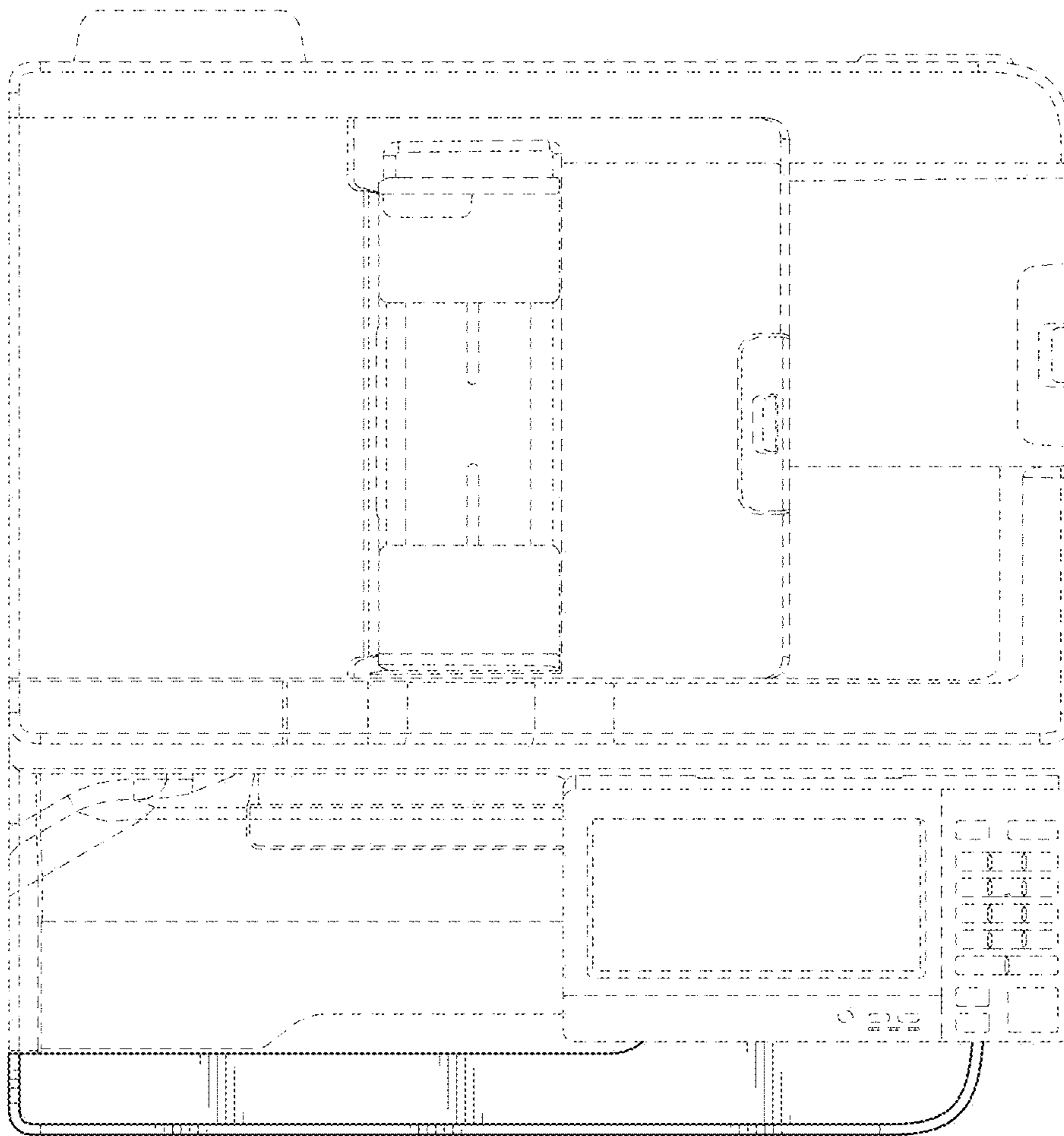


FIG. 7