



US00D894271S

(12) **United States Design Patent** (10) **Patent No.:** **US D894,271 S**  
**Nakamura et al.** (45) **Date of Patent:** **\*\* Aug. 25, 2020**

(54) **PRINTER**

(71) Applicant: **SEIKO EPSON CORPORATION**,  
Tokyo (JP)

(72) Inventors: **Ayumu Nakamura**, Tokyo (JP); **Hiroto  
Miyachi**, Matsumoto (JP); **Tomoyuki  
Yamada**, Matsumoto (JP)

(73) Assignee: **SEIKO EPSON CORPORATION**,  
Tokyo (JP)

(\*\*) Term: **15 Years**

(21) Appl. No.: **29/676,283**

(22) Filed: **Jan. 9, 2019**

(30) **Foreign Application Priority Data**

Jul. 10, 2018 (JP) ..... 2018-015179  
Jul. 10, 2018 (JP) ..... 2018-015180

(51) **LOC (12) Cl.** ..... **18-02**

(52) **U.S. Cl.**  
USPC ..... **D18/53**

(58) **Field of Classification Search**  
USPC ..... D15/122, 135-138, 141, 66, 73, 76-78;  
D18/53, 59, 50, 14, 19, 54-57, 36-45,  
D18/34.4, 34.5, 34.6, 18, 51;  
D14/301-303, 307, 345, 216; D6/691.4,  
D6/675, 708; D13/107, 108; D9/435,  
D9/448, 447, 454, 688, 772  
CPC ..... B41J 2/14; B41J 1/54; B41J 3/4073; B41J  
3/4078; B41F 17/22; B41F 17/003; B41F  
17/38; B28B 1/001; G03G 15/08; G03G  
15/0891; G03G 15/0875; G03G  
2215/0827; G03G 2215/0855; G03G  
21/1842

See application file for complete search history.

(56) **References Cited**

U.S. PATENT DOCUMENTS

D143,652 S *	1/1946	Floeter .....	D18/36
D212,050 S *	8/1968	Naderlof et al. ....	D18/39
D234,409 S *	2/1975	Schmeck .....	D18/53
D302,551 S *	8/1989	Leong .....	D10/63
D305,208 S *	12/1989	Ross .....	D10/46
4,996,651 A *	2/1991	Wells .....	B23C 3/00 346/29
5,124,728 A *	6/1992	Denda .....	B41J 11/06 346/104

(Continued)

*Primary Examiner* — T Chase Nelson  
*Assistant Examiner* — Mary Claire Ramirez

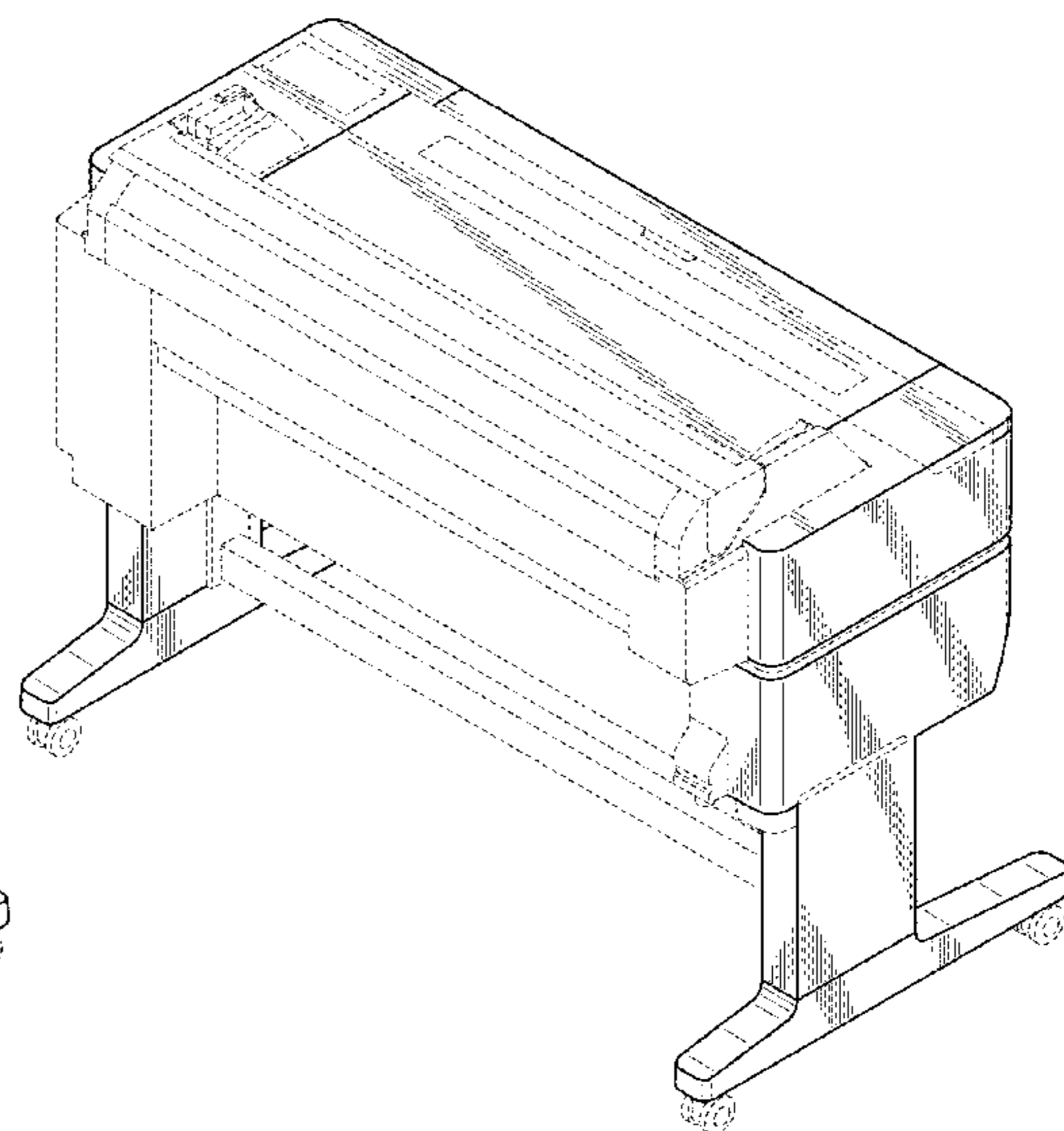
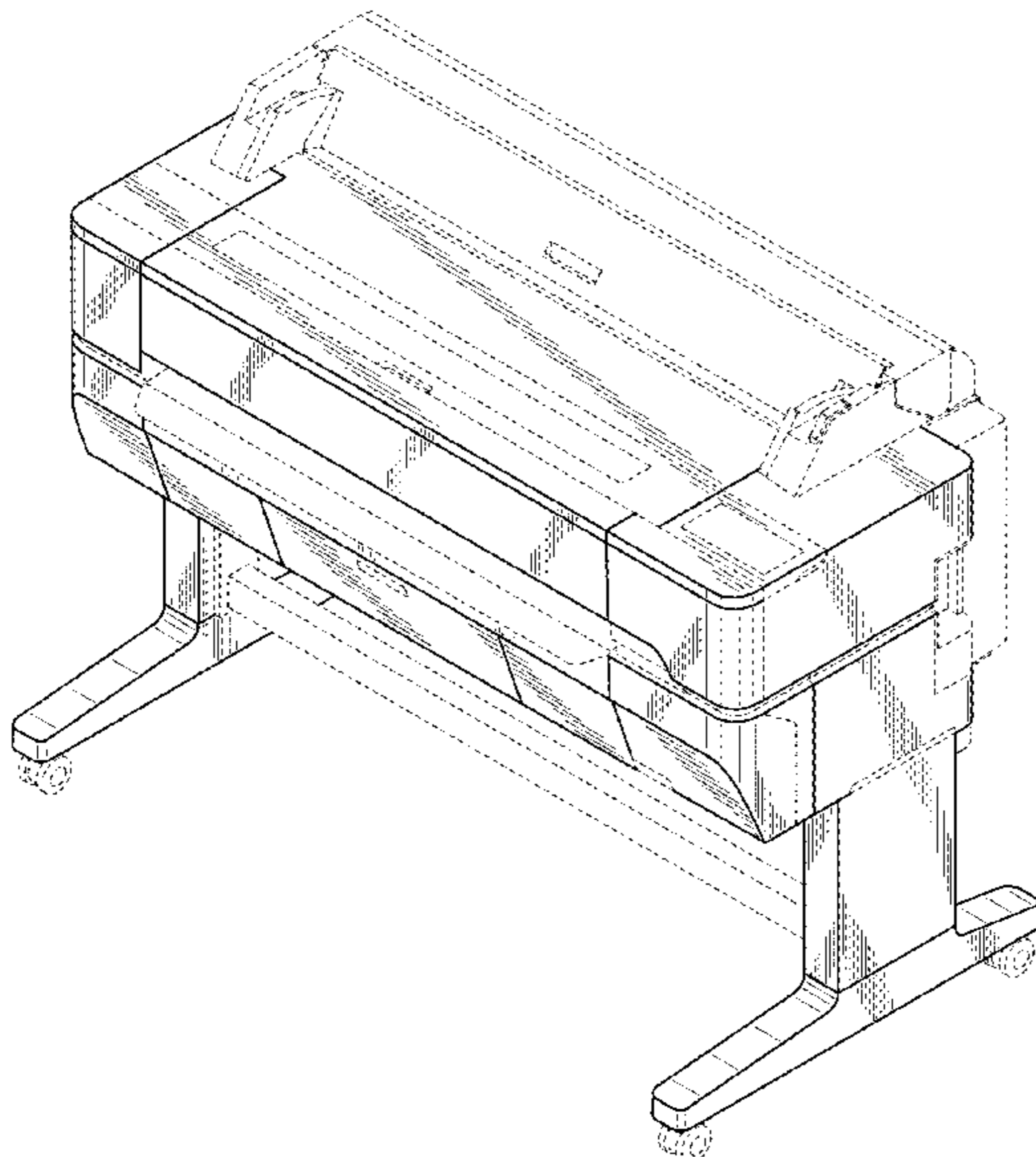
(57) **CLAIM**

The ornamental design for a printer, as shown and described.

**DESCRIPTION**

FIG. 1 is a front, top, and right side perspective view of a first embodiment of a printer showing our new design; FIG. 2 is a rear, top, and left side perspective view thereof; FIG. 3 is a front view thereof; FIG. 4 is a rear view thereof; FIG. 5 is a top plan view thereof; FIG. 6 is a bottom plan view thereof; FIG. 7 is a right side view thereof; FIG. 8 is a left side view thereof; FIG. 9 is a front, top, and right side perspective view of a second embodiment of the printer; FIG. 10 is a rear, top, and left side perspective view thereof; FIG. 11 is a front view thereof; FIG. 12 is a rear view thereof; FIG. 13 is a top plan view thereof; FIG. 14 is a bottom plan view thereof; FIG. 15 is a right side view thereof; and, FIG. 16 is a left side view thereof. The broken lines illustrate portions of the printer and form no part of the claimed design.

**1 Claim, 16 Drawing Sheets**



(56)

References Cited

U.S. PATENT DOCUMENTS

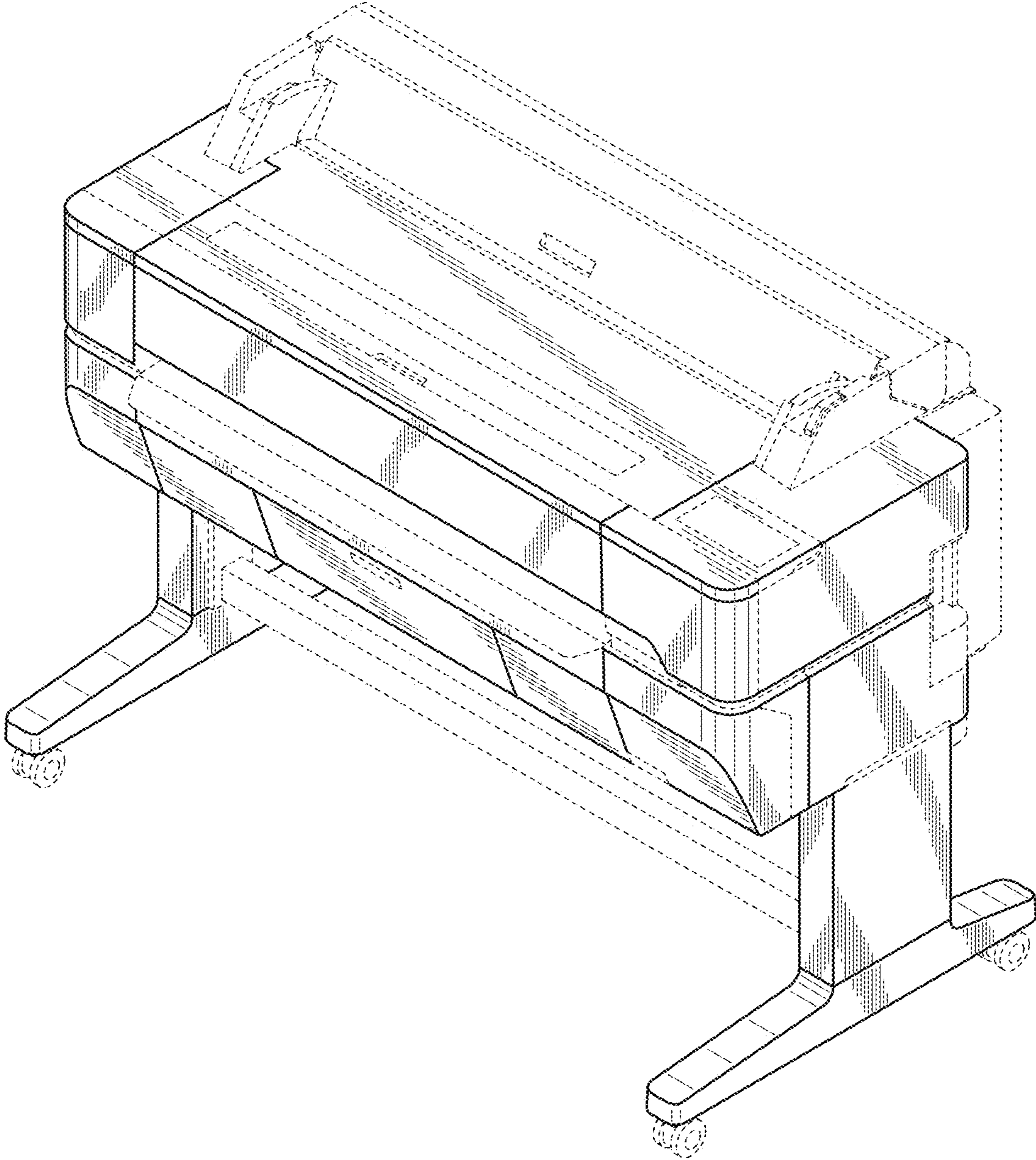
D335,894 S \* 5/1993 Nishikaze ..... D18/55  
 D340,944 S \* 11/1993 Ishizawa ..... D18/50  
 D342,907 S \* 1/1994 Kamatsuda ..... D10/46  
 D343,305 S \* 1/1994 Ng ..... D6/655.14  
 D347,239 S \* 5/1994 Okamoto ..... 347/108  
 D400,917 S \* 11/1998 Kajikawa ..... D18/53  
 D407,740 S \* 4/1999 Ina ..... D18/53  
 D408,848 S \* 4/1999 Flores ..... D18/53  
 6,206,512 B1 \* 3/2001 Gasso ..... B41J 2/17509  
 347/85  
 D445,824 S \* 7/2001 Yamano ..... D18/53  
 6,361,230 B1 \* 3/2002 Crystal ..... B41J 3/4078  
 347/104  
 6,386,536 B1 \* 5/2002 Juan ..... B41J 11/0085  
 269/21  
 D458,963 S \* 6/2002 Caamano ..... D18/53  
 D464,080 S \* 10/2002 Yamano ..... D18/53  
 6,481,838 B1 \* 11/2002 Brugue ..... B41J 2/17553  
 347/85  
 6,752,553 B2 \* 6/2004 Fujioka ..... B41J 11/0005  
 271/188  
 7,059,788 B2 \* 6/2006 Pearl ..... B41J 11/009  
 400/242  
 D529,545 S \* 10/2006 Kimura ..... D18/53  
 D544,533 S \* 6/2007 Moliner ..... D18/53  
 7,334,883 B2 \* 2/2008 Campillo ..... B41J 2/175  
 347/84  
 D595,345 S \* 6/2009 Yagi ..... D18/53

D595,346 S \* 6/2009 Yamano ..... D18/53  
 D597,131 S \* 7/2009 Yamano ..... D18/53  
 D619,165 S \* 7/2010 Sakurai ..... D18/53  
 7,967,515 B2 \* 6/2011 Puigardeu ..... B41J 11/001  
 226/2  
 D643,463 S \* 8/2011 Sakurai ..... D18/53  
 8,651,657 B2 \* 2/2014 Oraa ..... B41J 29/13  
 347/108  
 D747,766 S \* 1/2016 Cesar ..... D18/53  
 D751,637 S \* 3/2016 Cesar ..... D18/53  
 9,308,748 B2 \* 4/2016 Ishikawa ..... B41J 15/046  
 D812,136 S \* 3/2018 Cesar ..... D18/53  
 D823,383 S \* 7/2018 Miyauchi ..... D18/53  
 D823,384 S \* 7/2018 Miyauchi ..... D18/53  
 2004/0056919 A1 \* 3/2004 Gaston ..... B41J 2/16508  
 347/22  
 2004/0130708 A1 \* 7/2004 Ruiz ..... B41J 2/2132  
 356/150  
 2006/0192830 A1 \* 8/2006 Lee ..... B41J 3/4078  
 347/104  
 2007/0076038 A1 \* 4/2007 Plante ..... B41J 29/393  
 347/19  
 2014/0111587 A1 \* 4/2014 Nakano ..... B41J 11/0005  
 347/104  
 2016/0368292 A1 \* 12/2016 Kurosawa ..... B41J 2/155  
 2017/0087848 A1 \* 3/2017 Takenouchi ..... B41J 2/16511  
 2017/0259582 A1 \* 9/2017 Gracia Verdugo ... B41J 2/04543  
 2019/0030932 A1 \* 1/2019 Takenouchi ..... B41J 29/02  
 2020/0039231 A1 \* 2/2020 Yajima ..... B41J 2/17509  
 2020/0039257 A1 \* 2/2020 Yajima ..... B41J 2/175  
 2020/0070525 A1 \* 3/2020 Yajima ..... B41J 2/17509

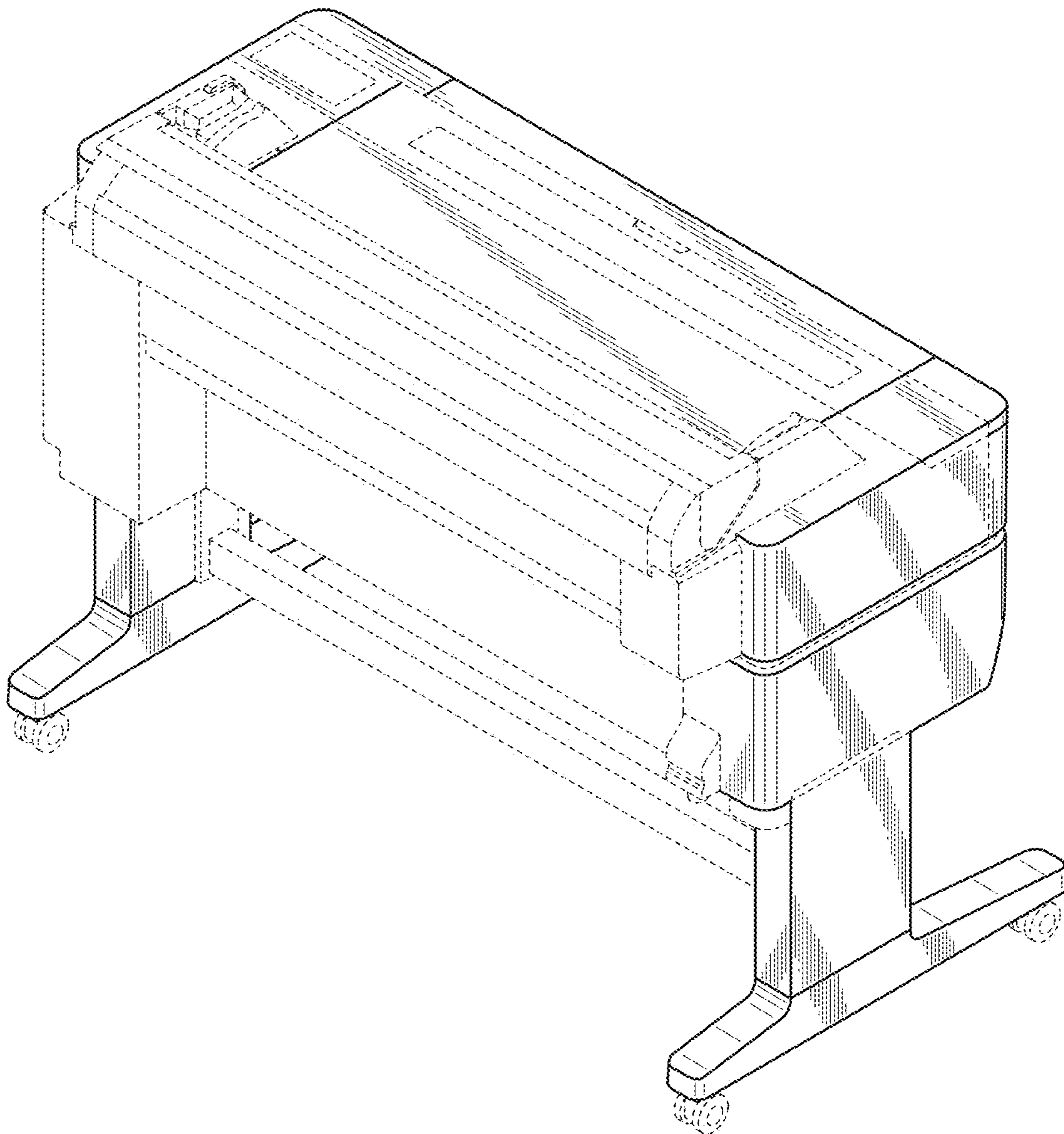
\* cited by examiner



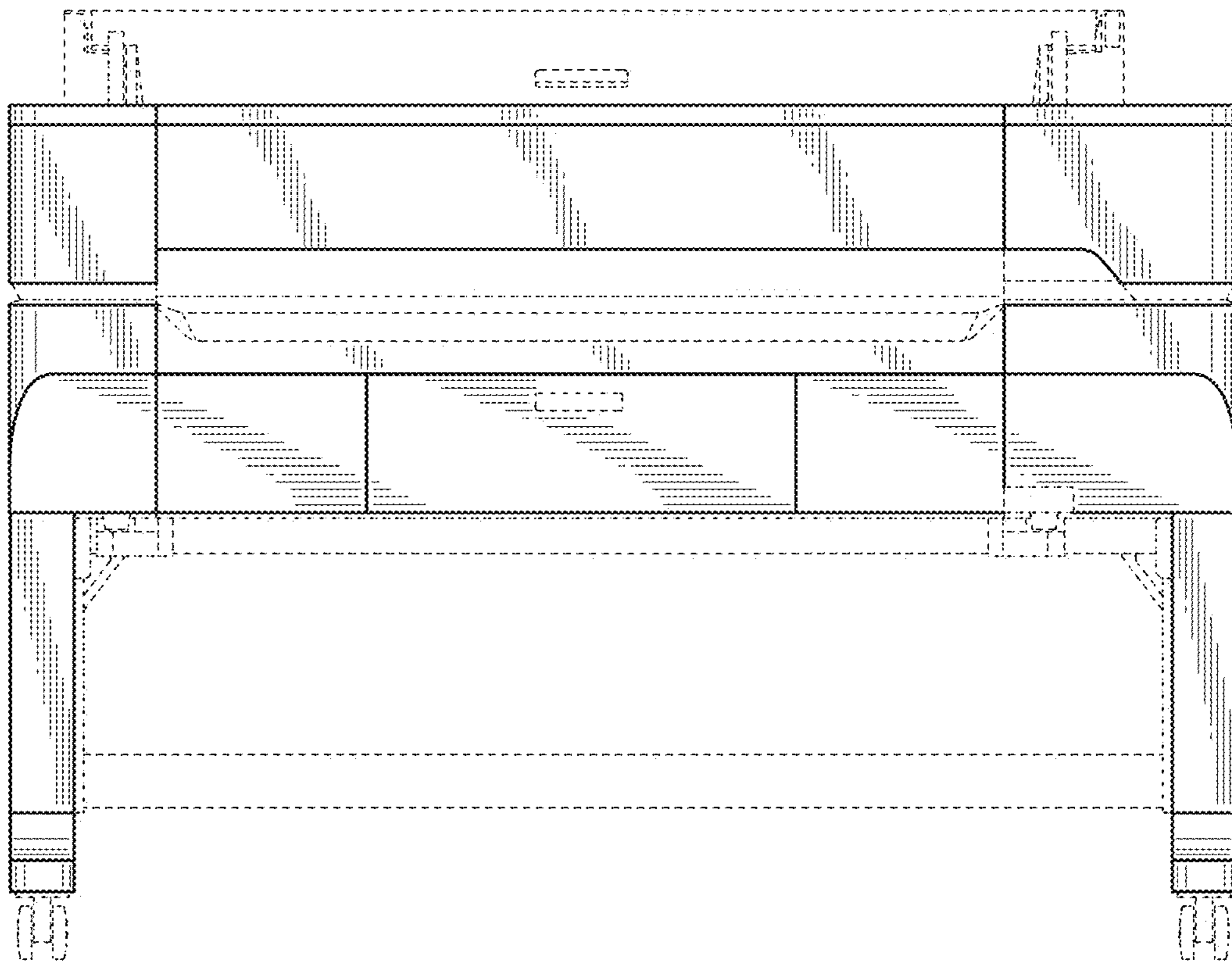
**FIG. 1**



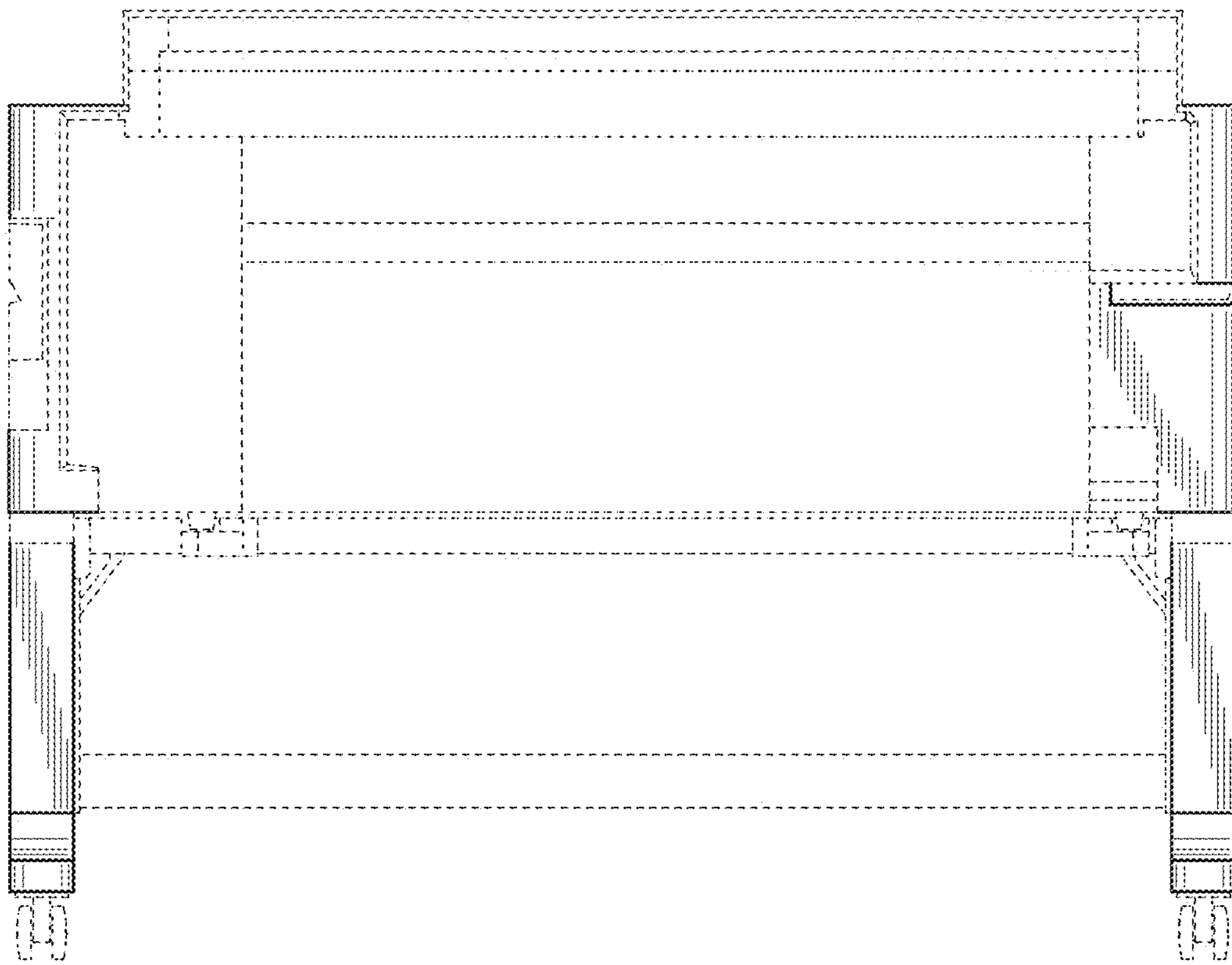
**FIG. 2**



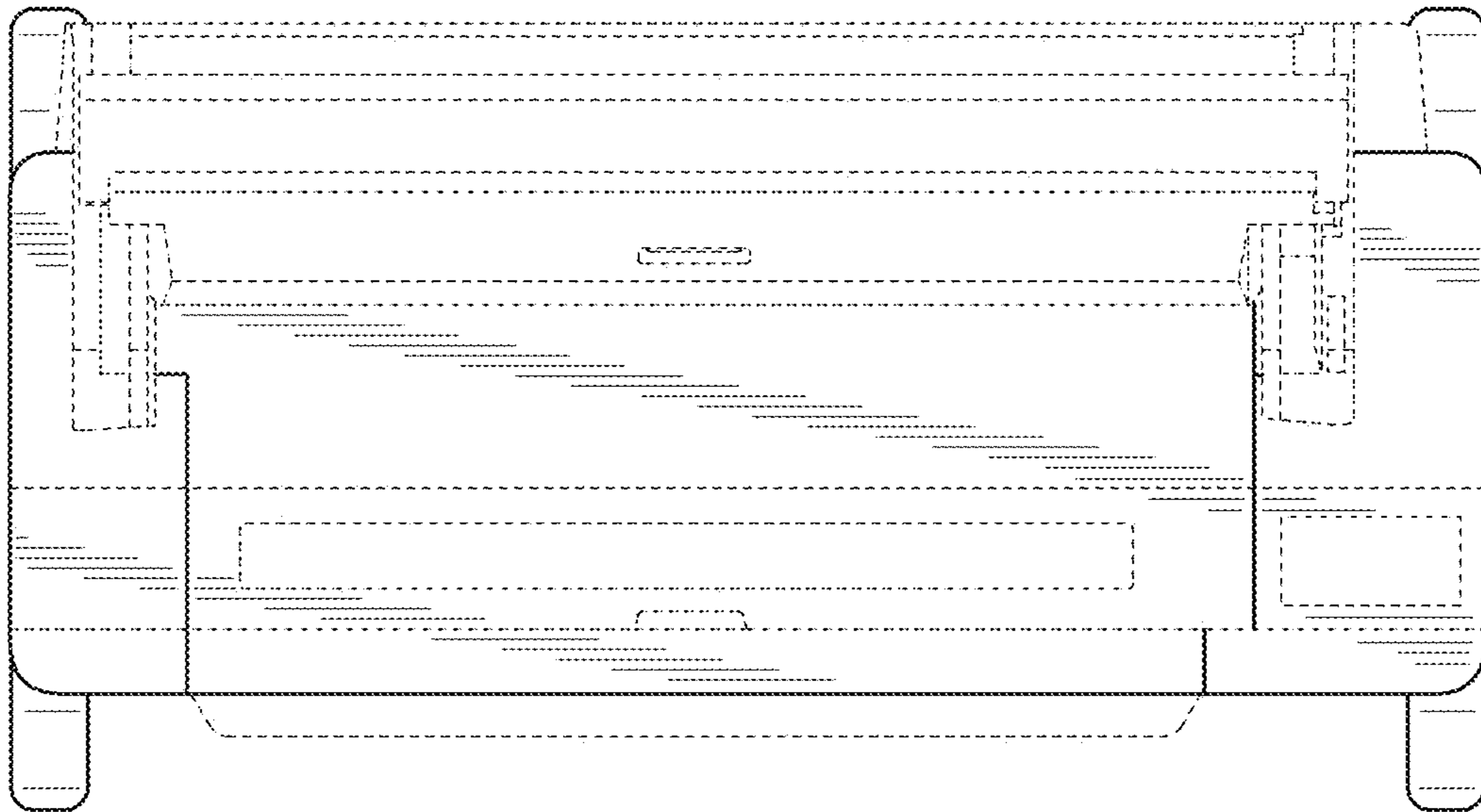
**FIG. 3**



**FIG. 4**

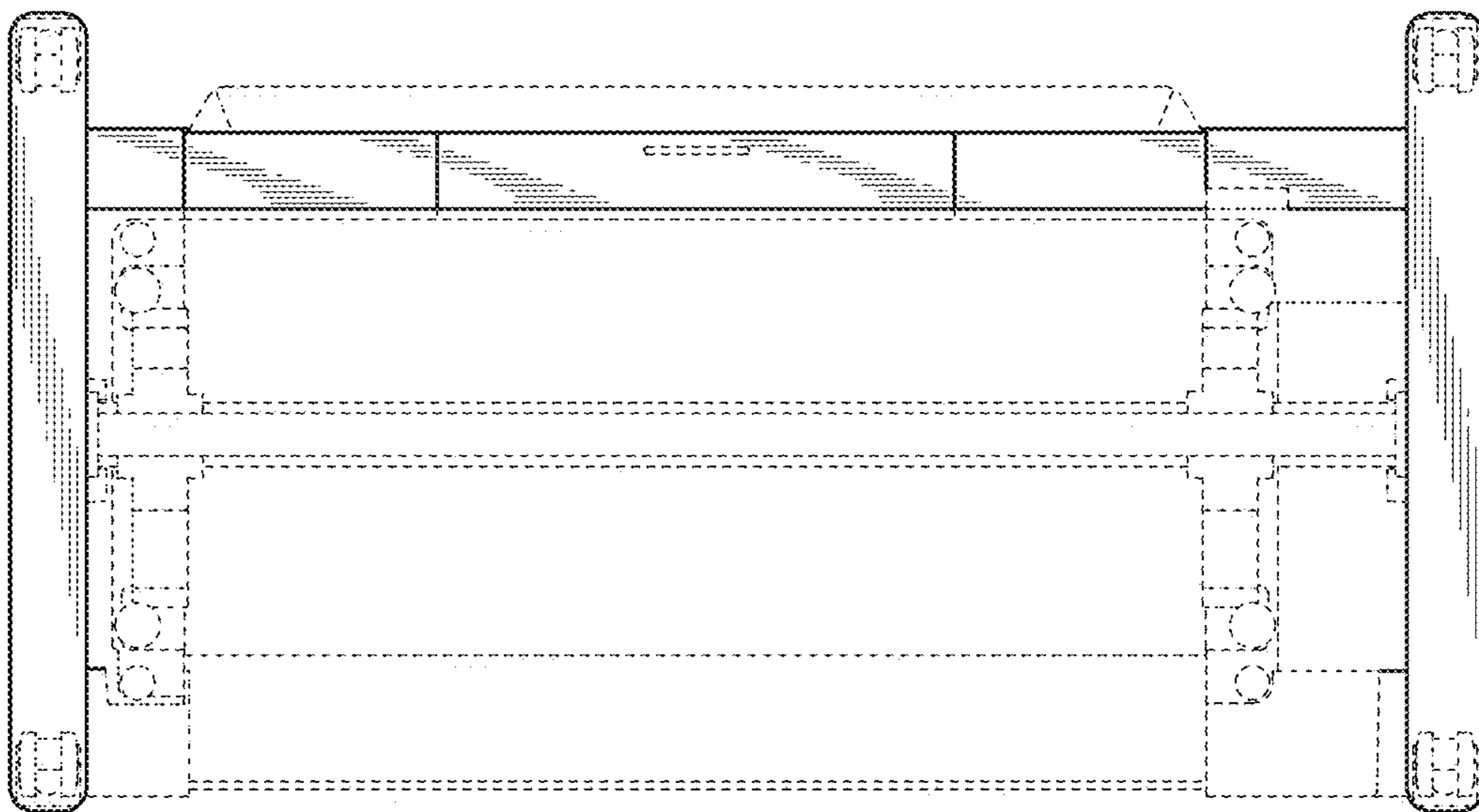


**FIG. 5**



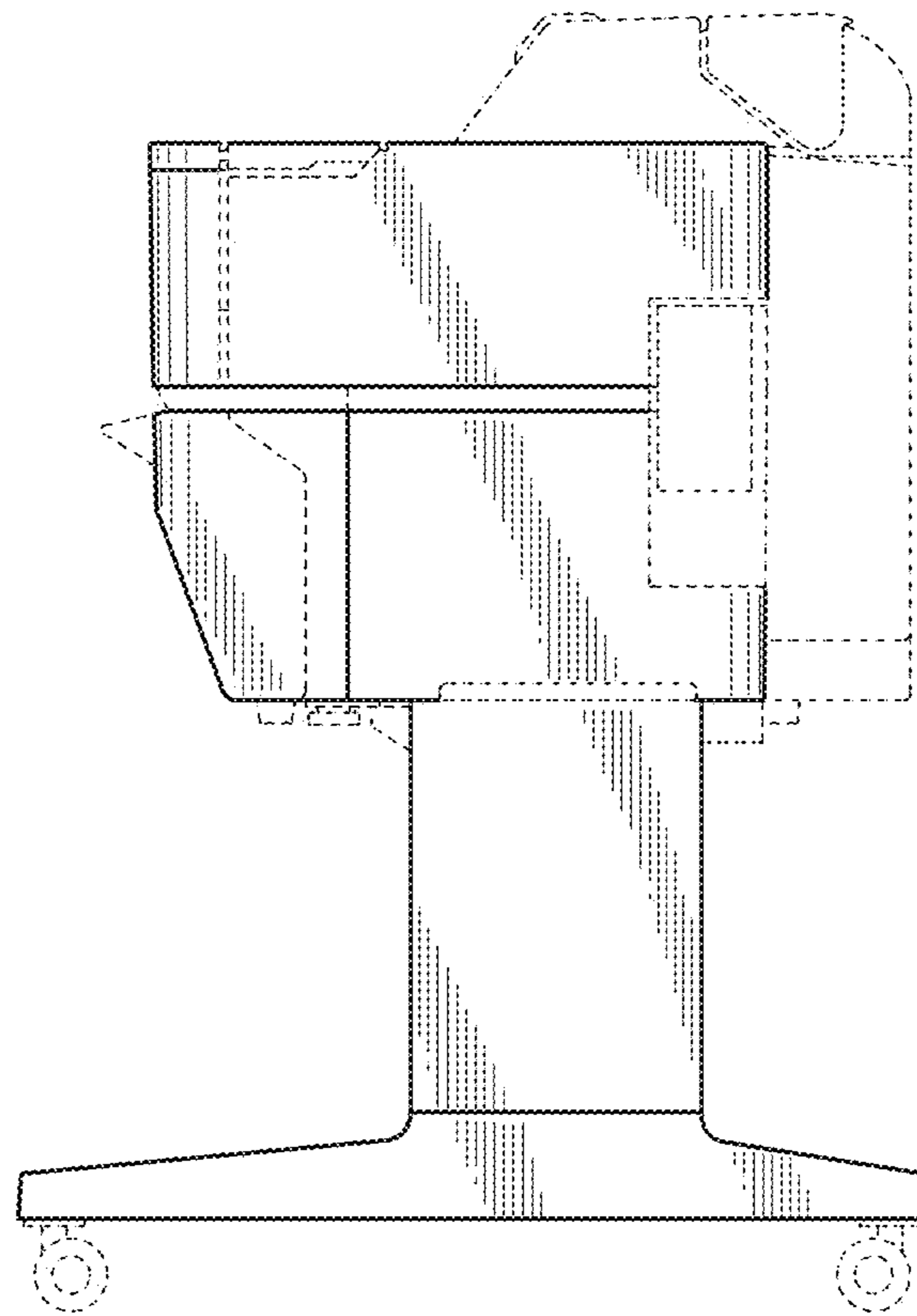


**FIG. 6**

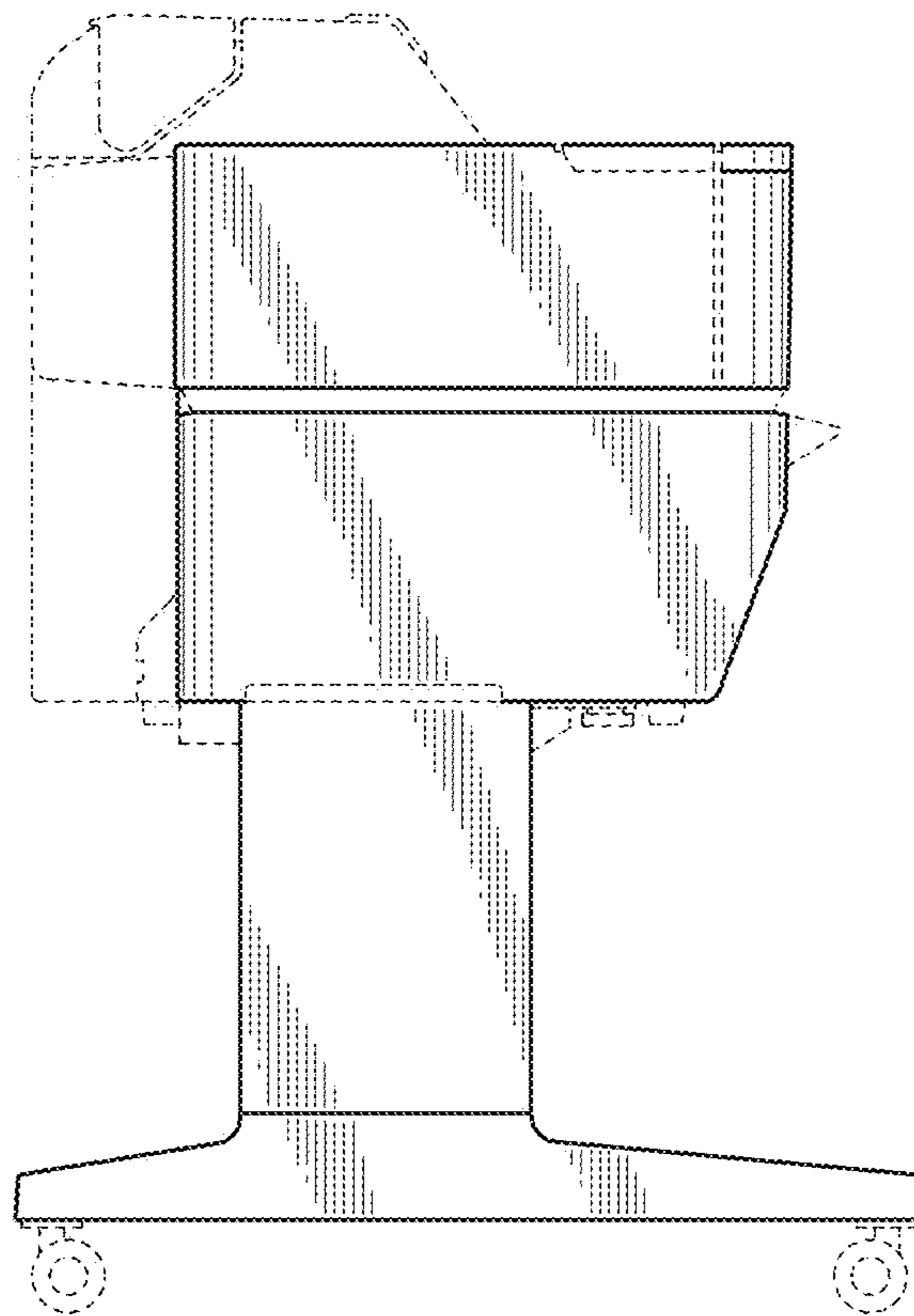




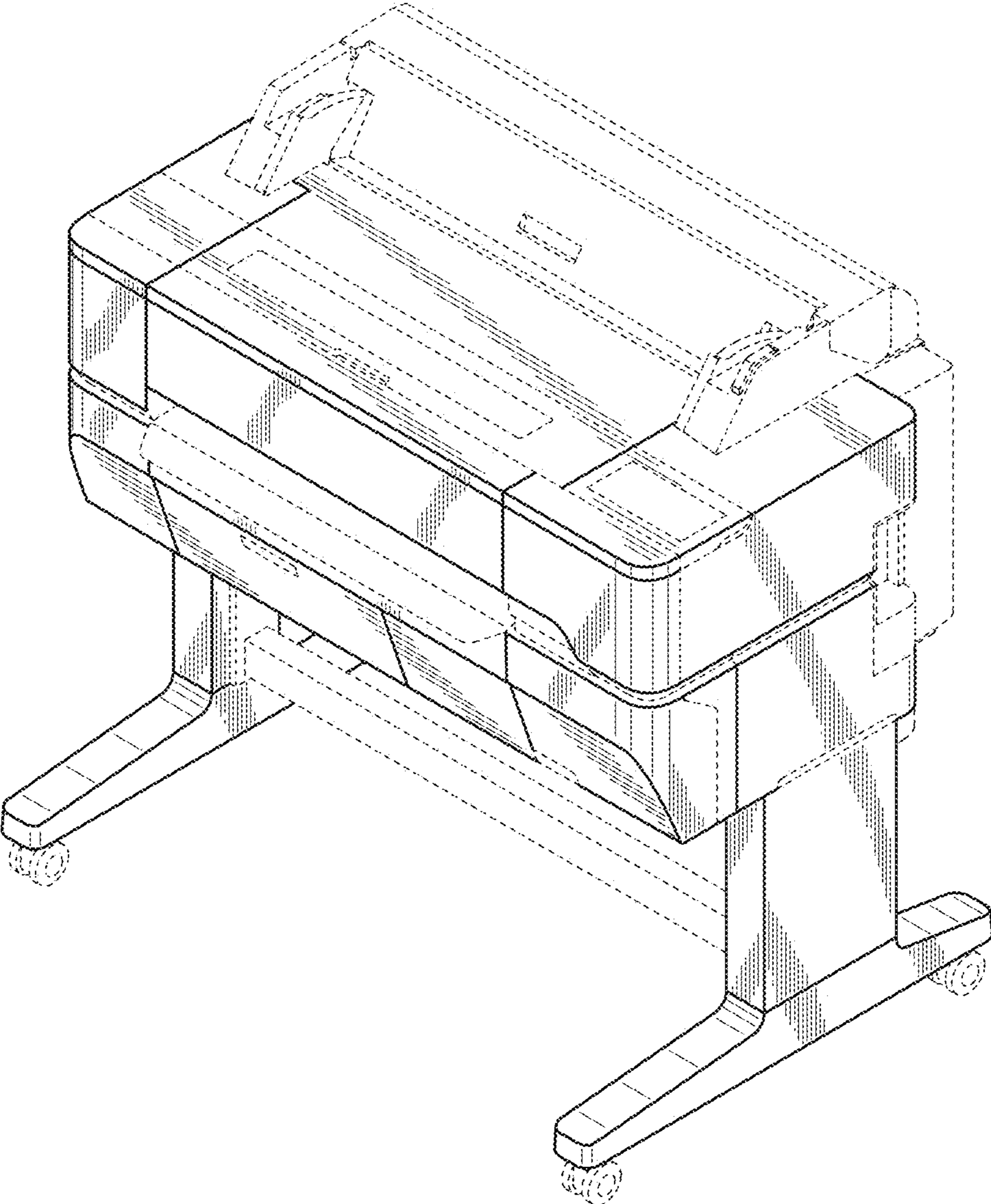
**FIG. 7**



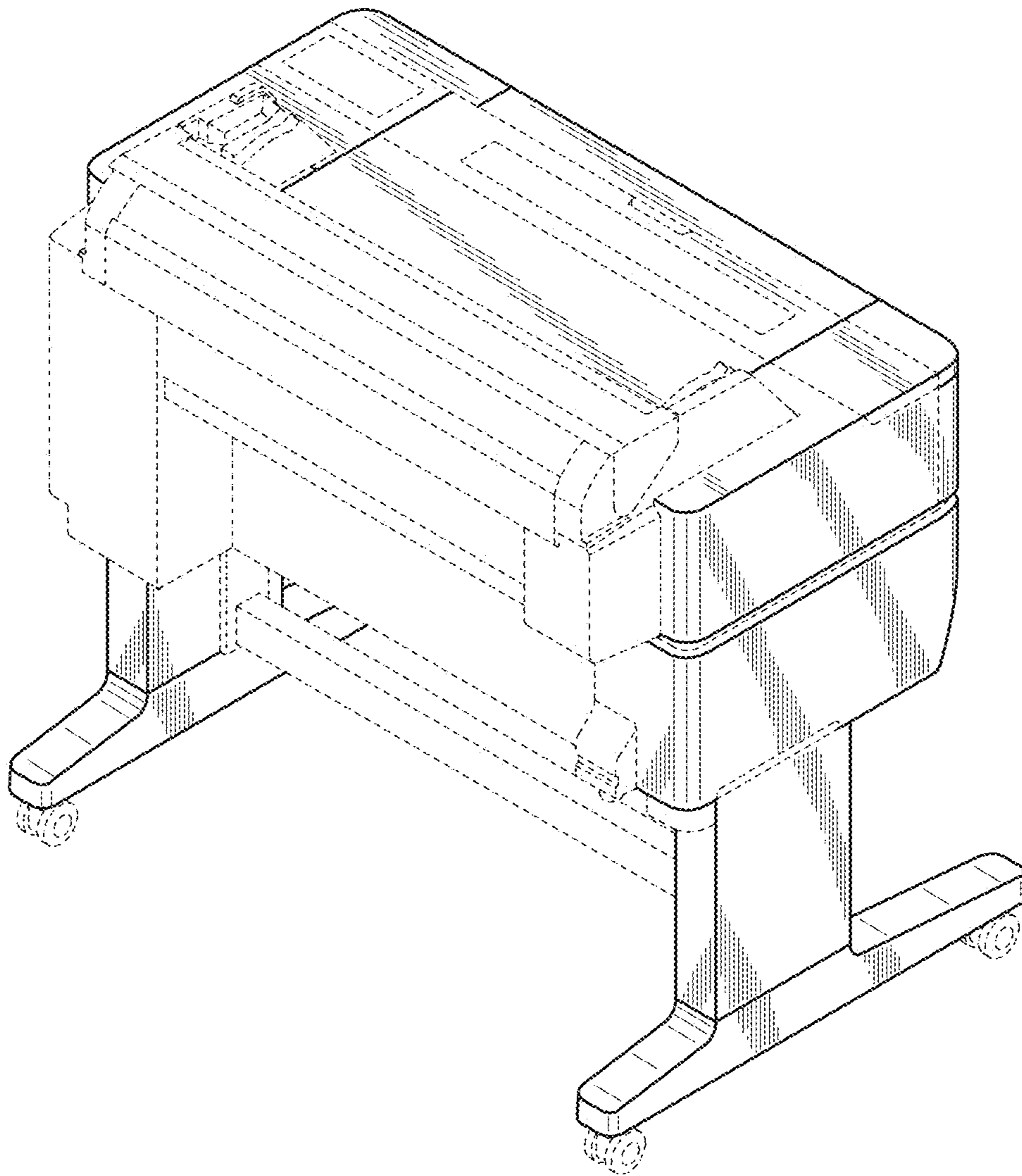
**FIG. 8**



**FIG. 9**

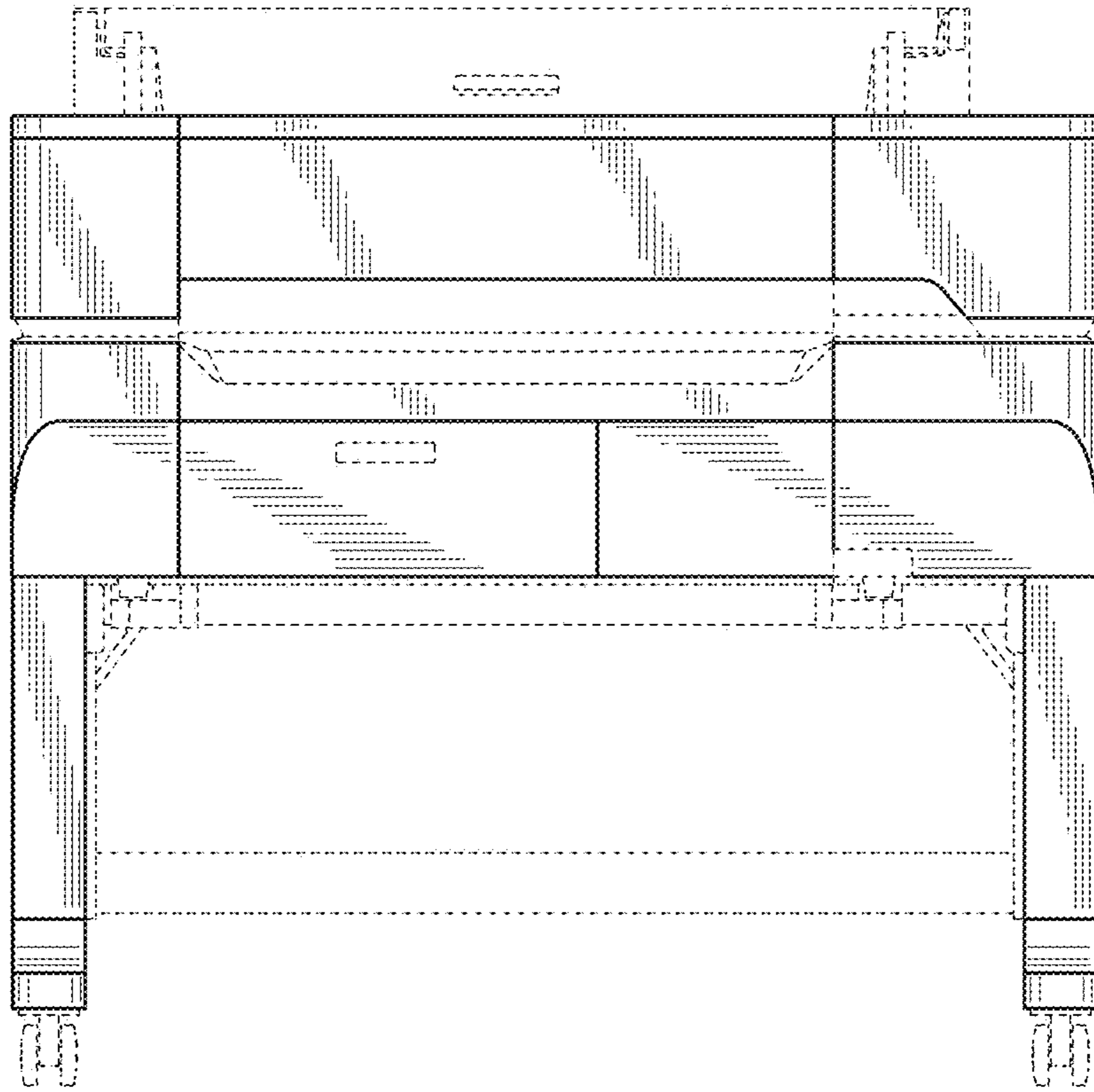


**FIG. 10**

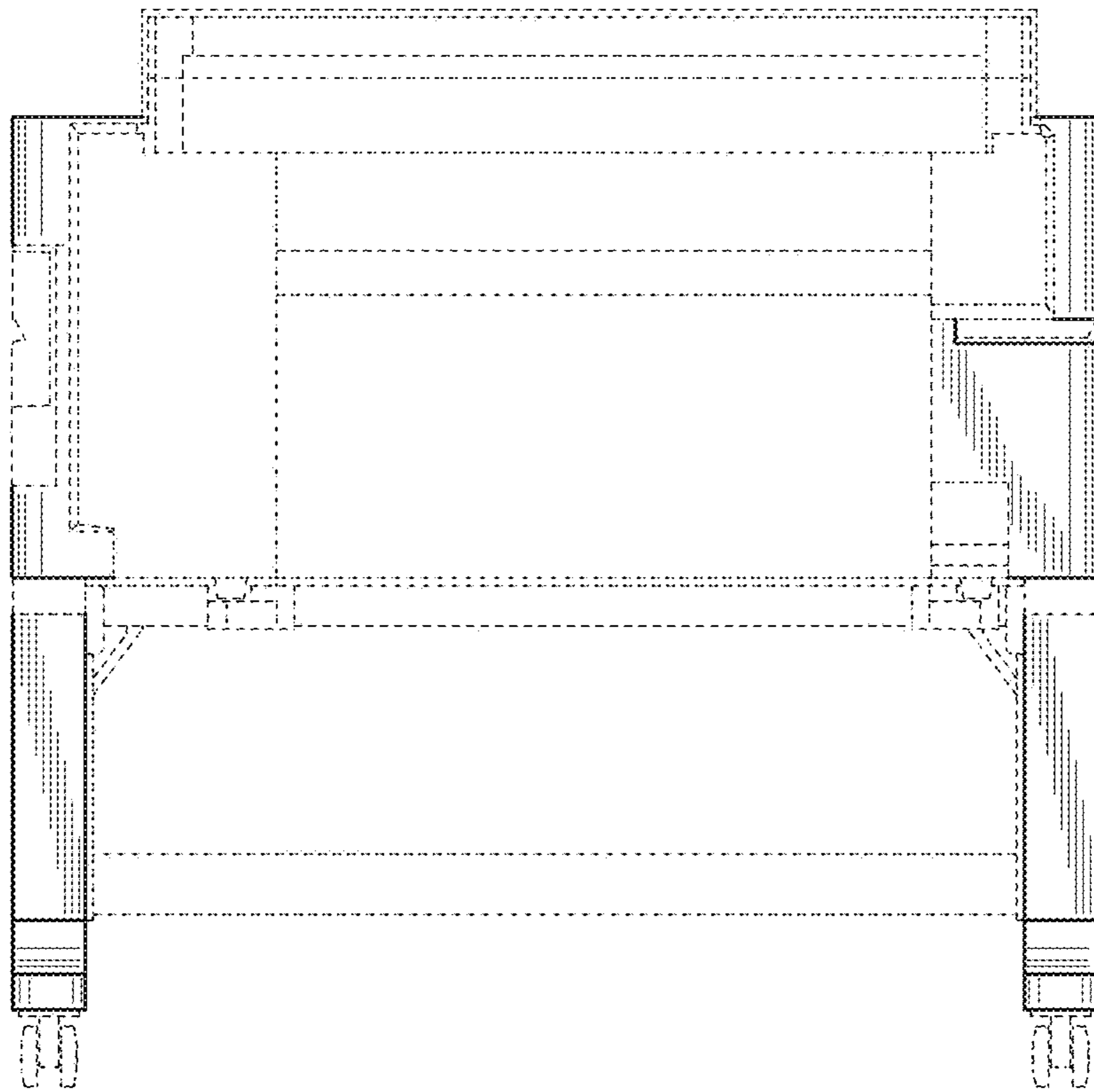




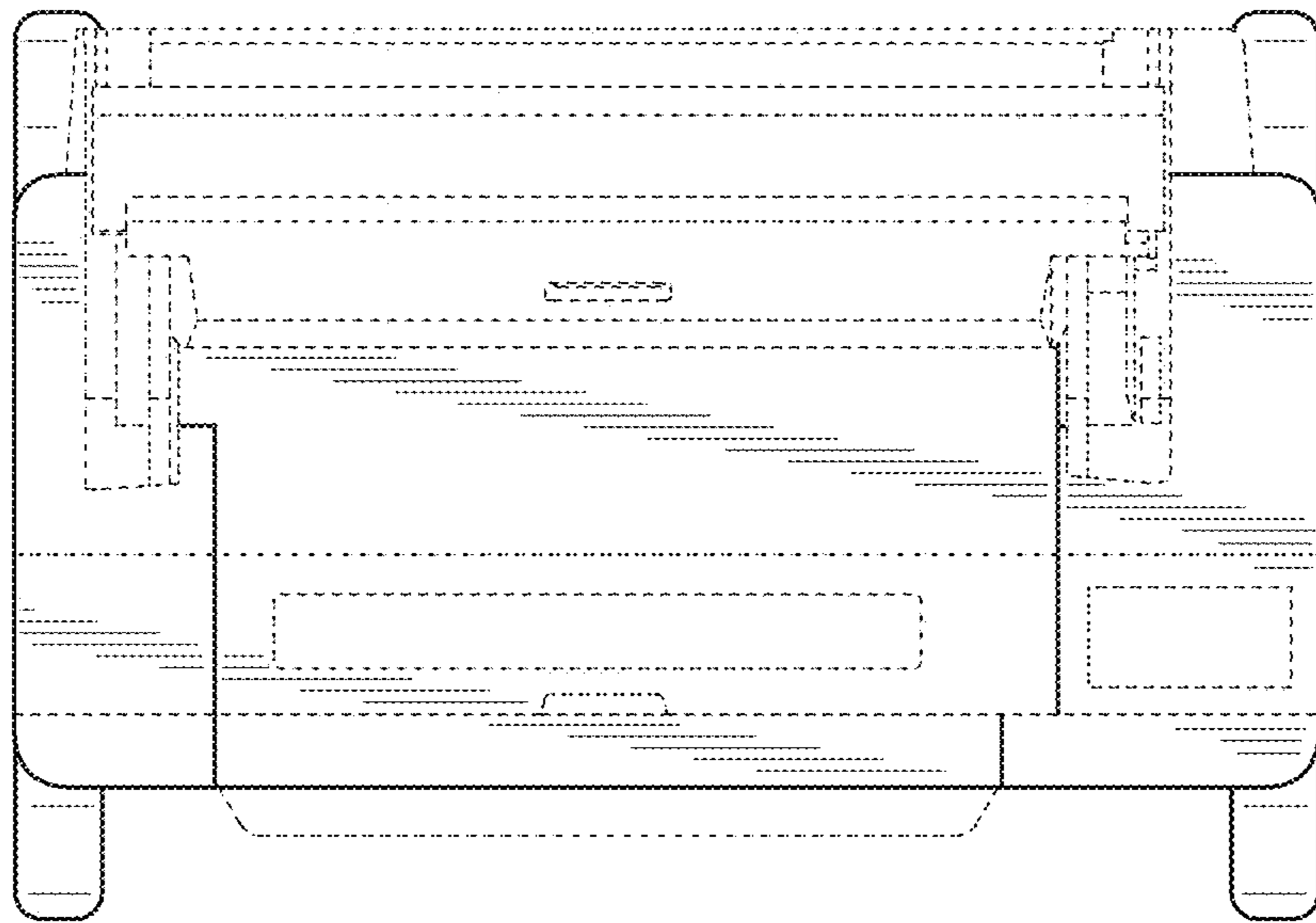
**FIG. 11**



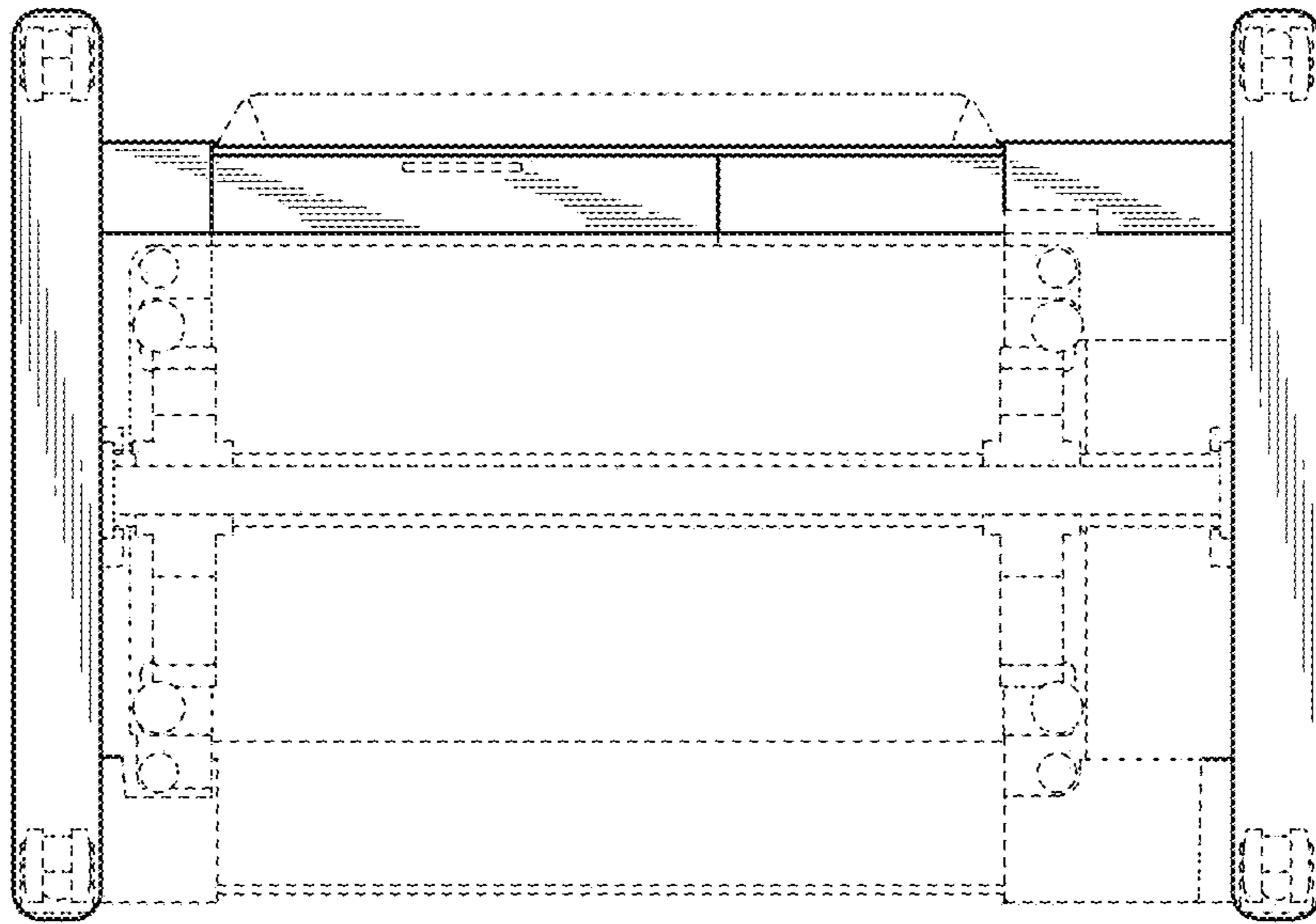
**FIG. 12**



***FIG. 13***

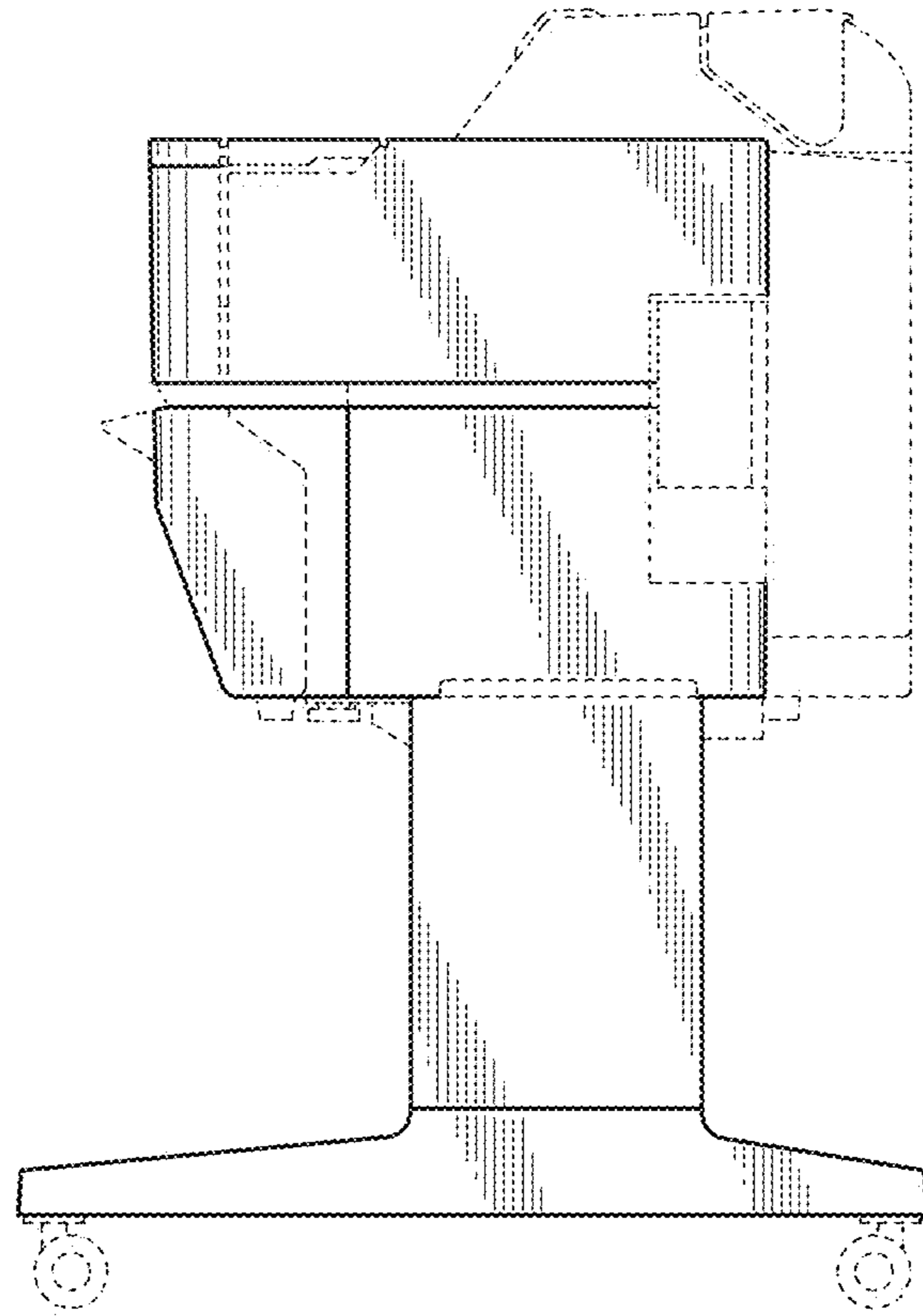


**FIG. 14**





**FIG. 15**



**FIG. 16**

