



US00D894269S

(12) **United States Design Patent**
Mita

(10) **Patent No.:** **US D894,269 S**

(45) **Date of Patent:** **** Aug. 25, 2020**

(54) **PRINTER MAILBOX**

(71) Applicant: **BROTHER INDUSTRIES, LTD.**,
Nagoya-shi, Aichi-ken (JP)

(72) Inventor: **Masayoshi Mita**, Nagoya (JP)

(73) Assignee: **BROTHER INDUSTRIES, LTD.**,
Nagoya (JP)

(**) Term: **15 Years**

(21) Appl. No.: **29/683,775**

(22) Filed: **Mar. 15, 2019**

(30) **Foreign Application Priority Data**

Sep. 21, 2018 (JP) 2018-020568

(51) **LOC (12) Cl.** **18-99**

(52) **U.S. Cl.**
USPC **D18/47**

(58) **Field of Classification Search**
USPC D18/46, 47, 48, 49, 50, 53, 54, 55, 59,
D18/36, 37, 38, 39, 40, 41, 45, 56;
D14/301, 307, 121
See application file for complete search history.

(56) **References Cited**

U.S. PATENT DOCUMENTS

D293,800 S *	1/1988	Imai	D18/48
D308,987 S *	7/1990	Matsui	D18/48
D309,632 S *	7/1990	Komada	D18/48
D310,843 S *	9/1990	Kosako	D18/48
D359,979 S *	7/1995	Horiguchi	D18/46
D379,635 S *	6/1997	Shibata	D18/48
D422,628 S *	4/2000	Kusanagi	D18/44
D438,239 S *	2/2001	Agata	D18/47
D439,606 S *	3/2001	Suzuki	D18/49
D483,399 S	12/2003	Ortiz		

D483,400 S	12/2003	Ortiz		
D544,529 S *	6/2007	Takahashi	D18/47
D545,891 S *	7/2007	Ramos	D18/49
D549,276 S *	8/2007	Clark, III	D18/46
D623,220 S	9/2010	Kim et al.		
D783,713 S	4/2017	Egami et al.		
9,718,284 B2 *	8/2017	Hirose	B65H 39/11

OTHER PUBLICATIONS

Xerox. Link: <https://www.shop.xerox.com/097s04953>. Visited May 4, 2020. VersaLink Four-Bin Mailbox. (Year: 2020).*

* cited by examiner

Primary Examiner — Lauren D McVey

(74) *Attorney, Agent, or Firm* — Oliff PLC

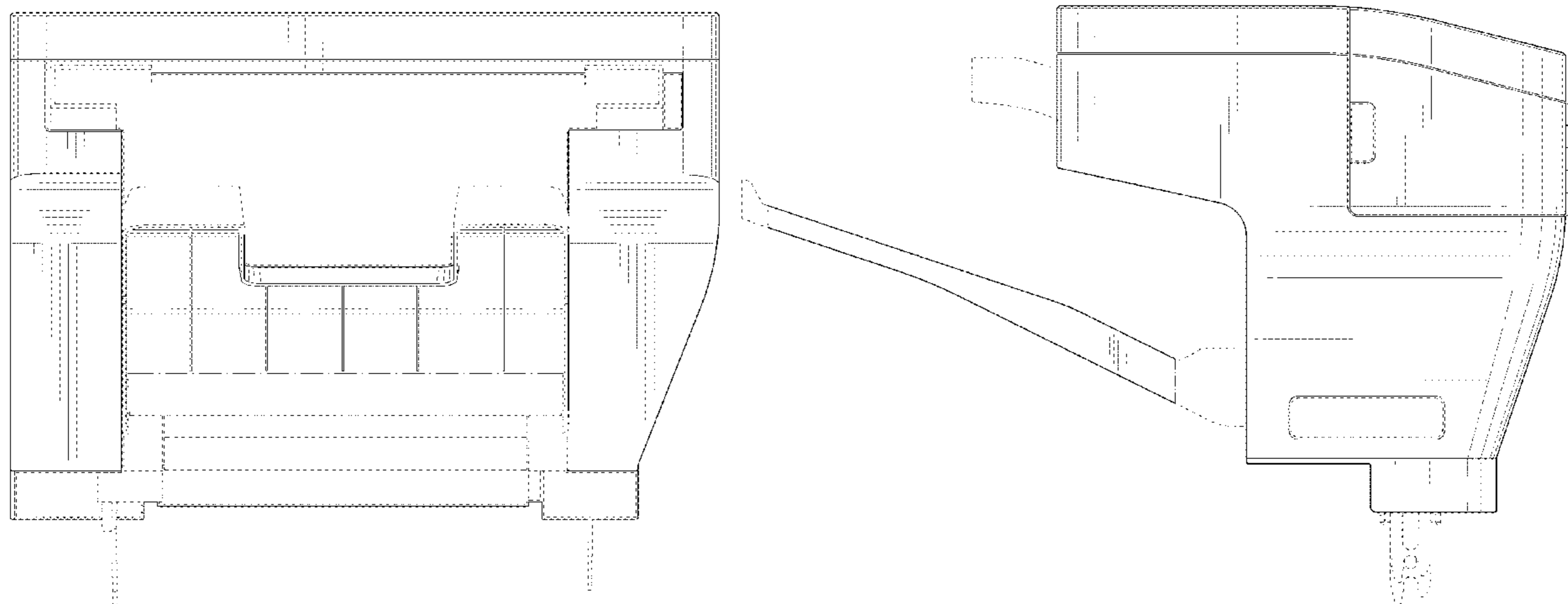
(57) **CLAIM**

The ornamental design for a printer mailbox, as shown and described.

DESCRIPTION

FIG. 1 is a top, front, right perspective view of a printer mailbox;
FIG. 2 is a front elevational view thereof;
FIG. 3 is a top plan view thereof;
FIG. 4 is a left-side elevational view thereof;
FIG. 5 is a right-side elevational view thereof;
FIG. 6 is a rear elevational view thereof;
FIG. 7 is a bottom plan view thereof; and,
FIG. 8 is a top, rear, left perspective view thereof.
The dot-dash broken lines and evenly spaced broken lines immediately adjacent to the claim depict the bounds of the claimed subject matter and form no part of the claimed design, while all other evenly spaced broken lines depict parts of the printer mailbox that form no part of the claimed design.

1 Claim, 8 Drawing Sheets



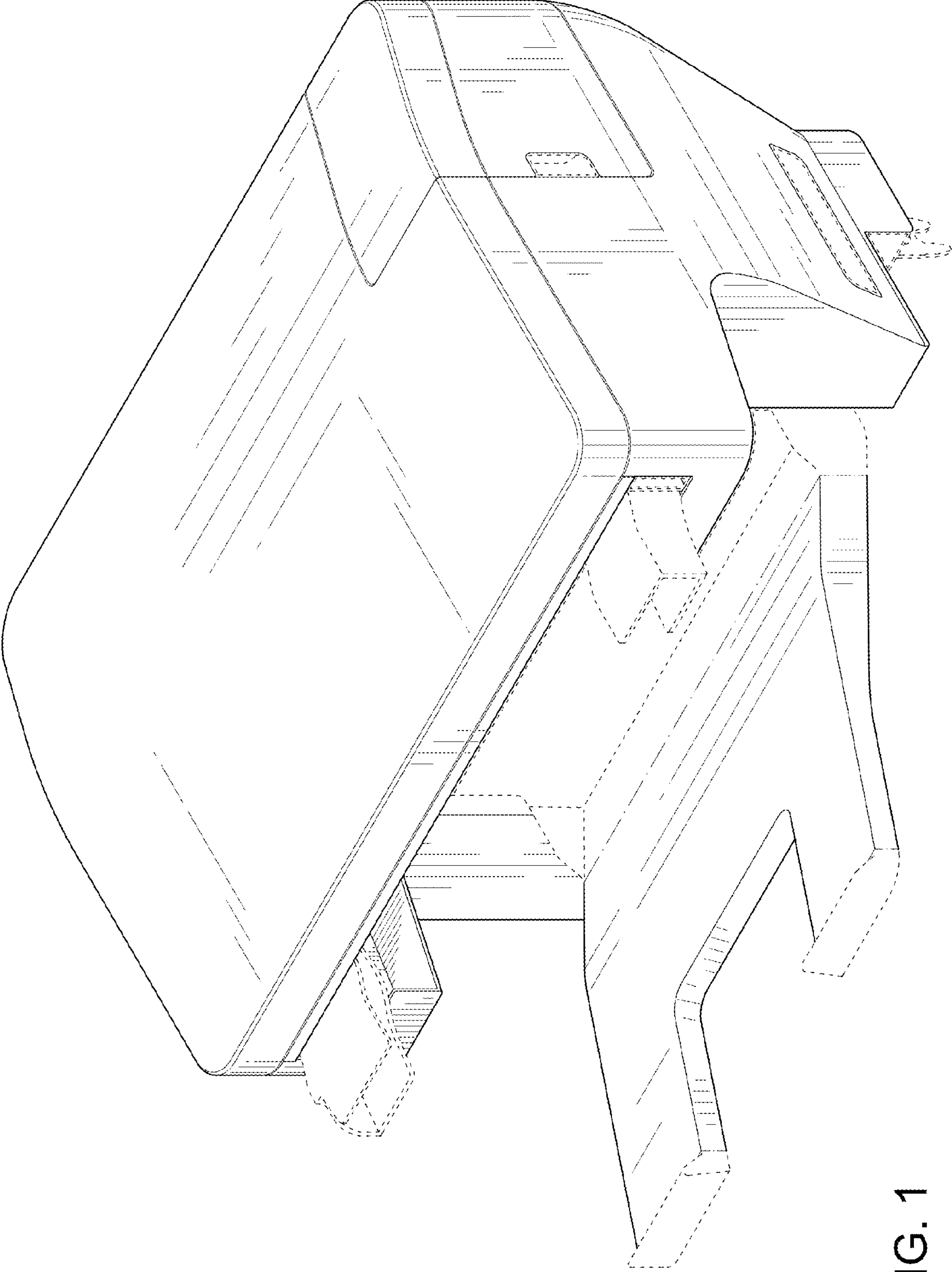


FIG. 1

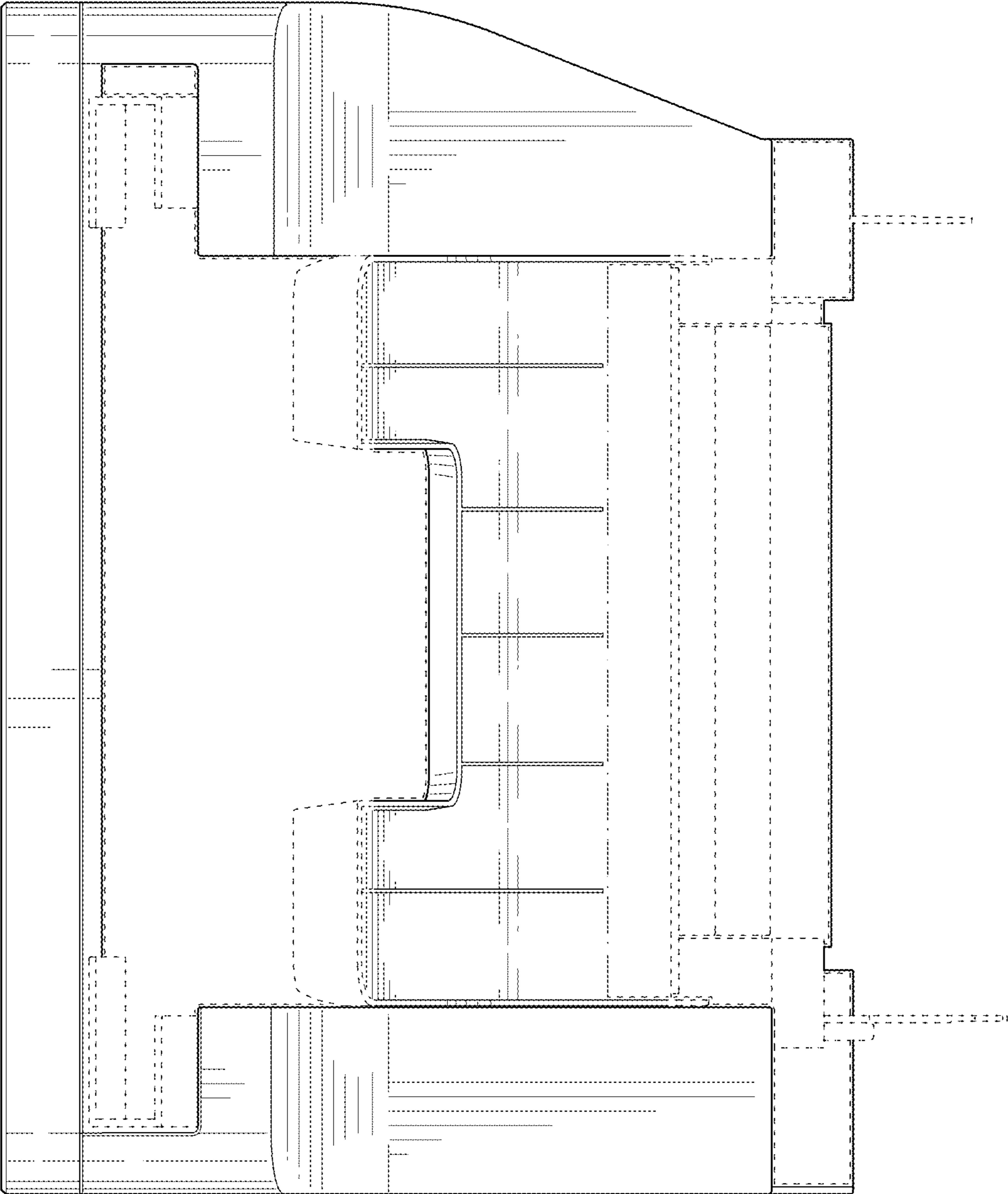


FIG. 2

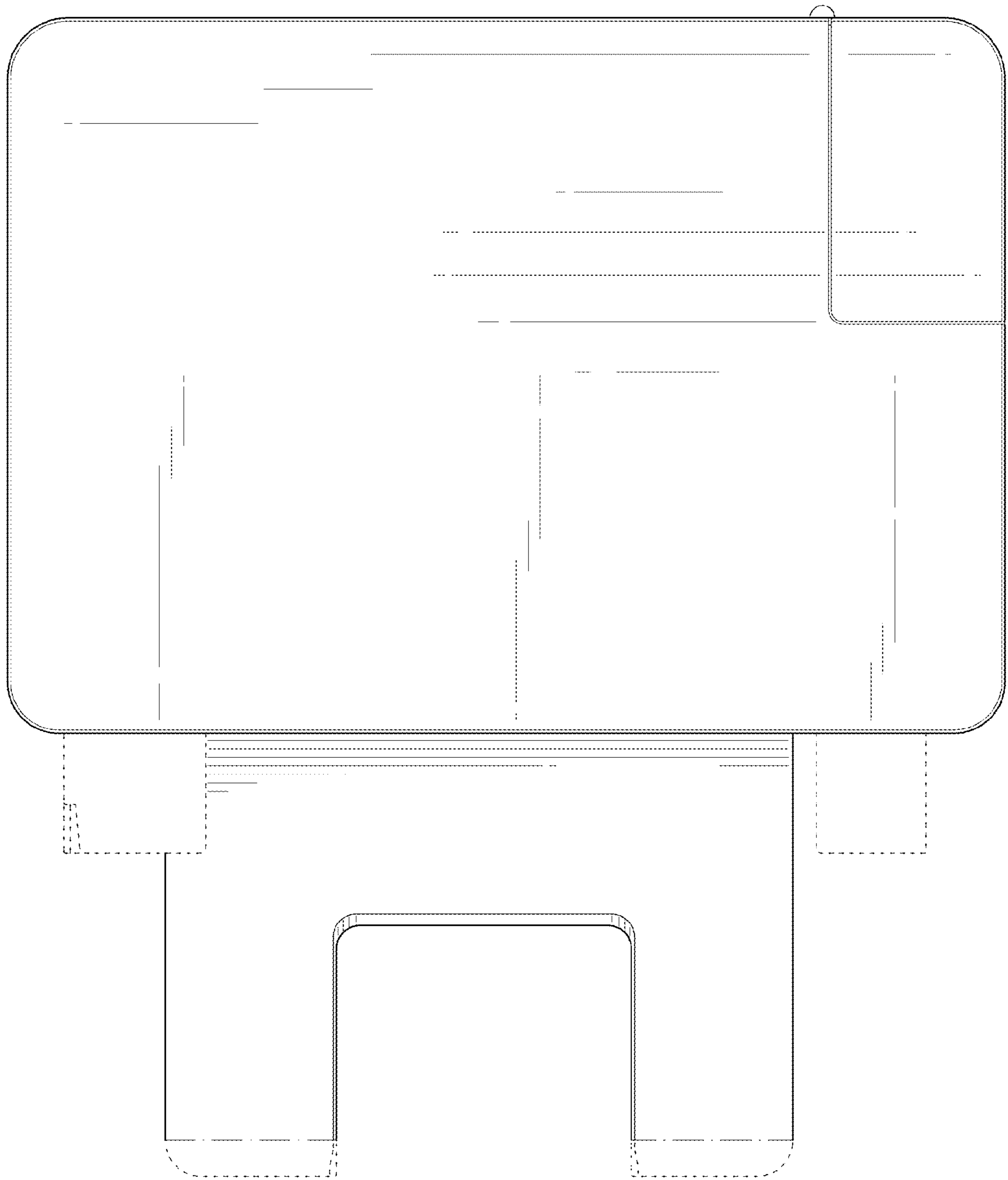


FIG. 3

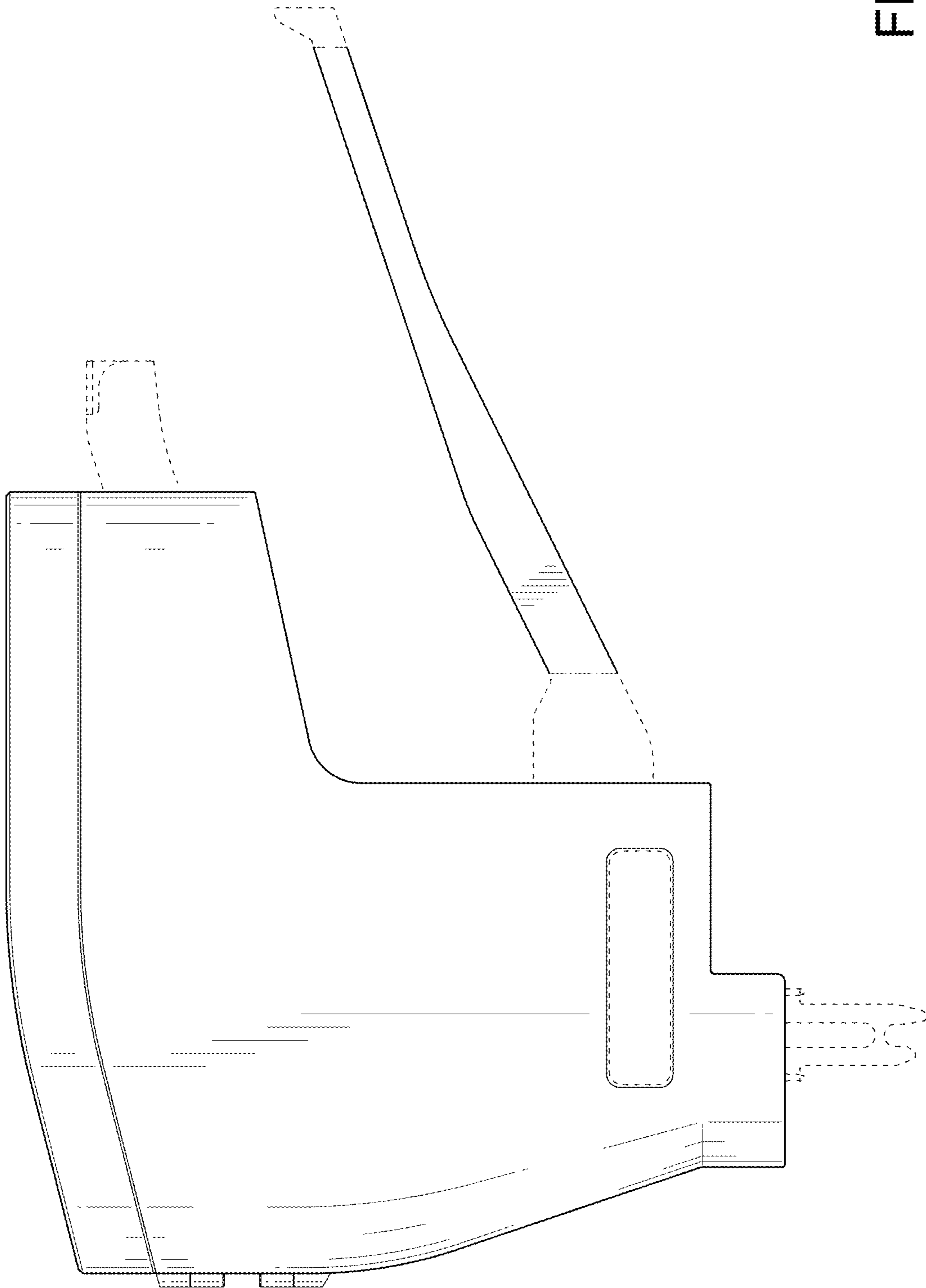


FIG. 4

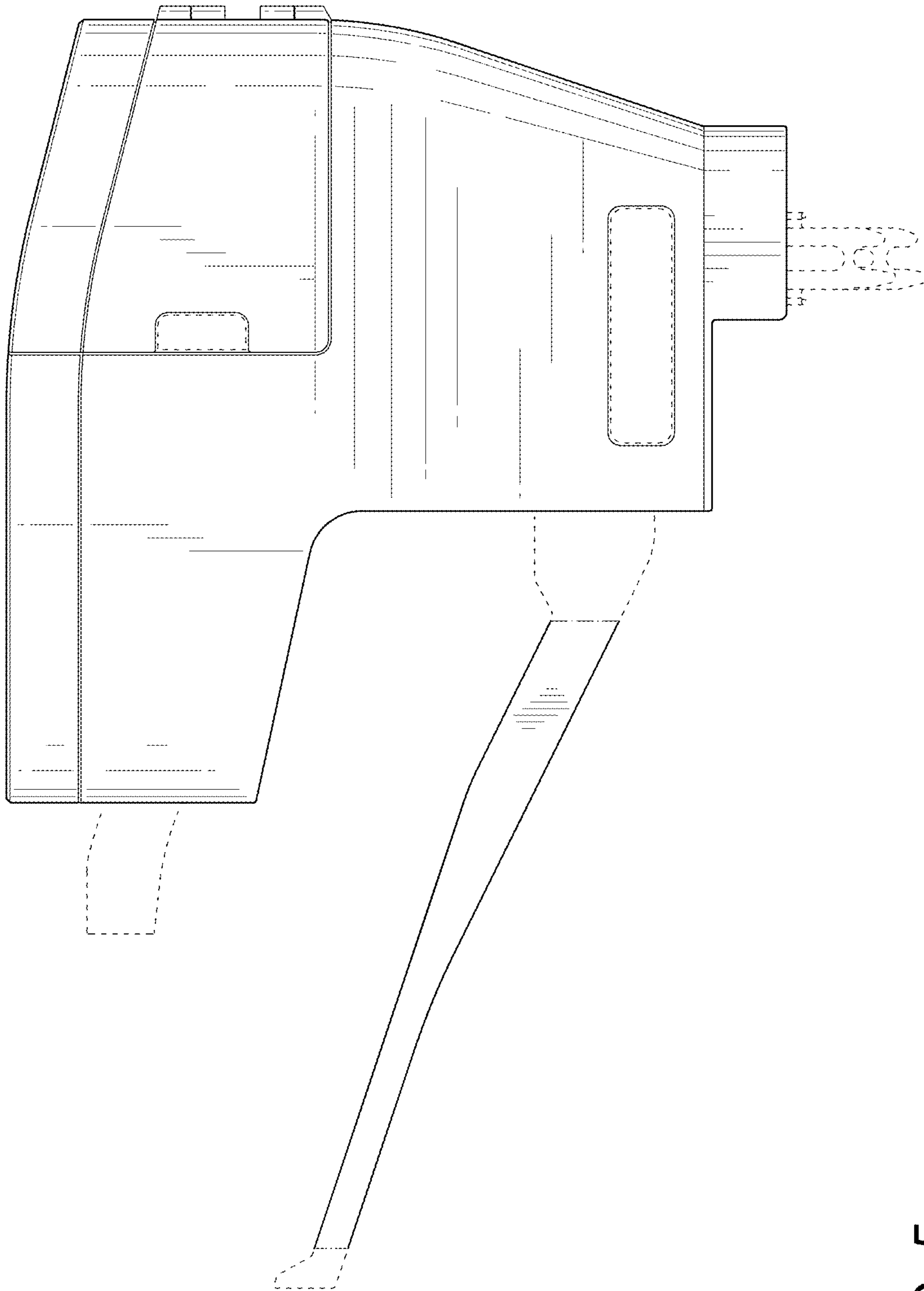


FIG. 5

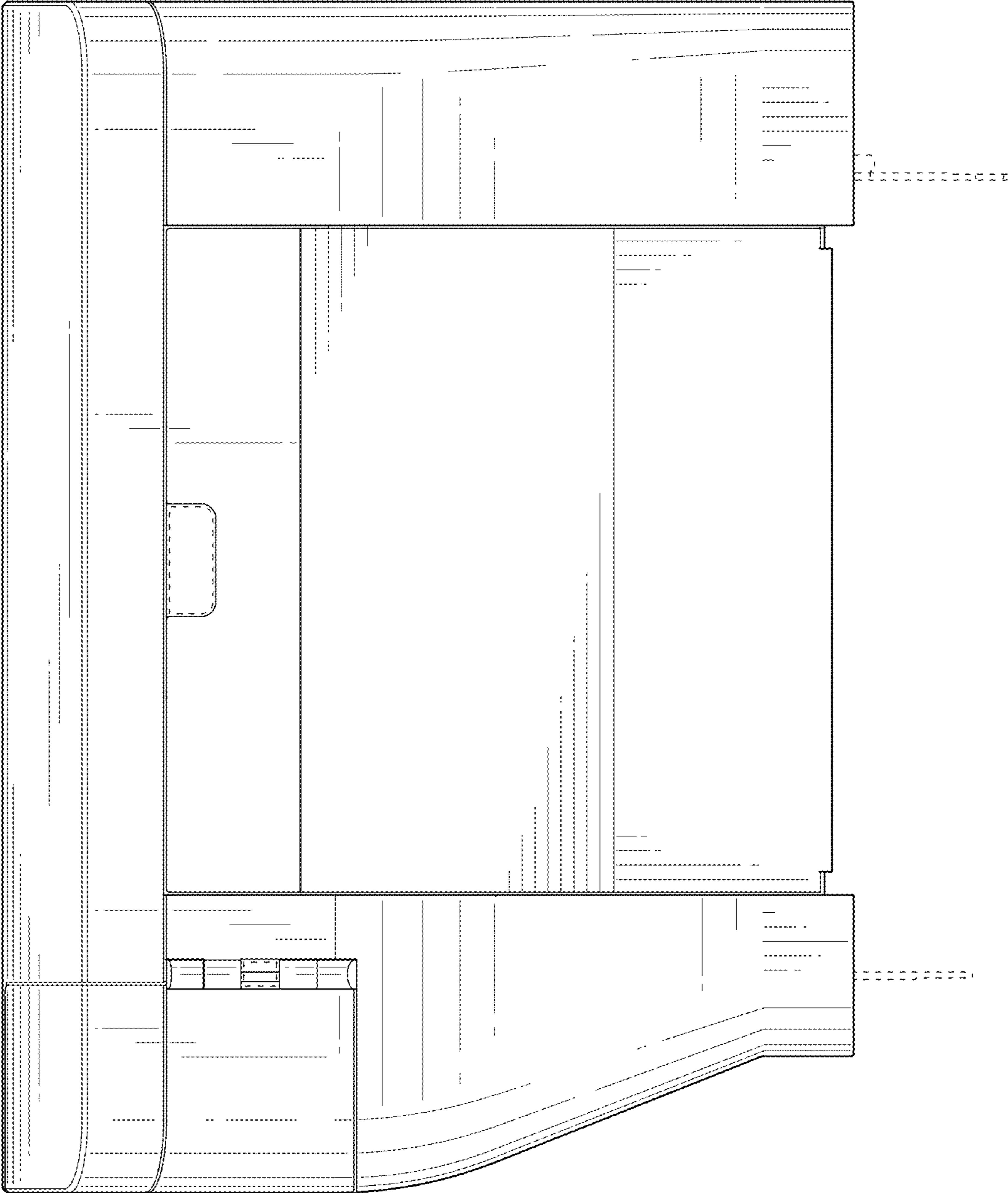


FIG. 6

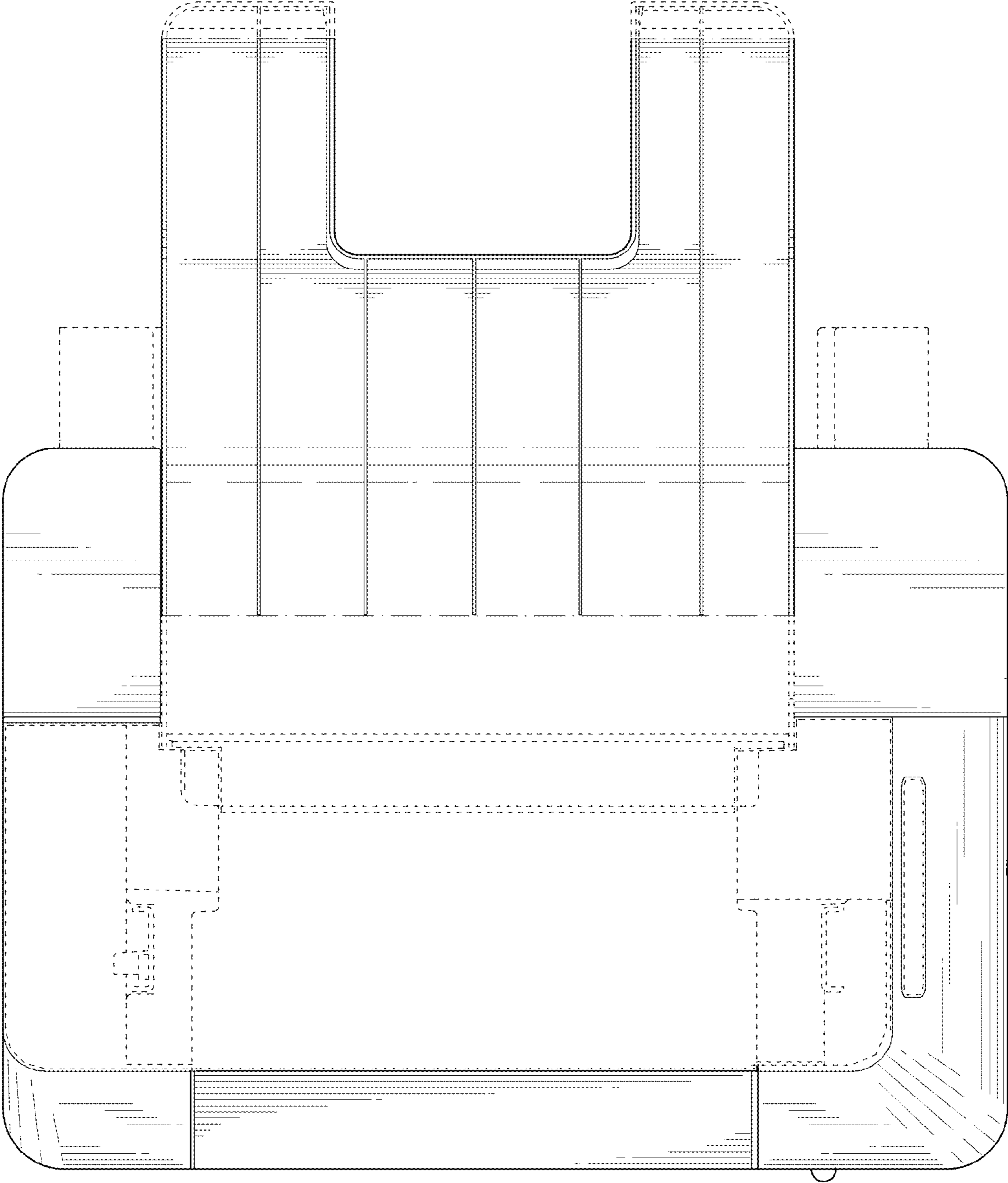


FIG. 7

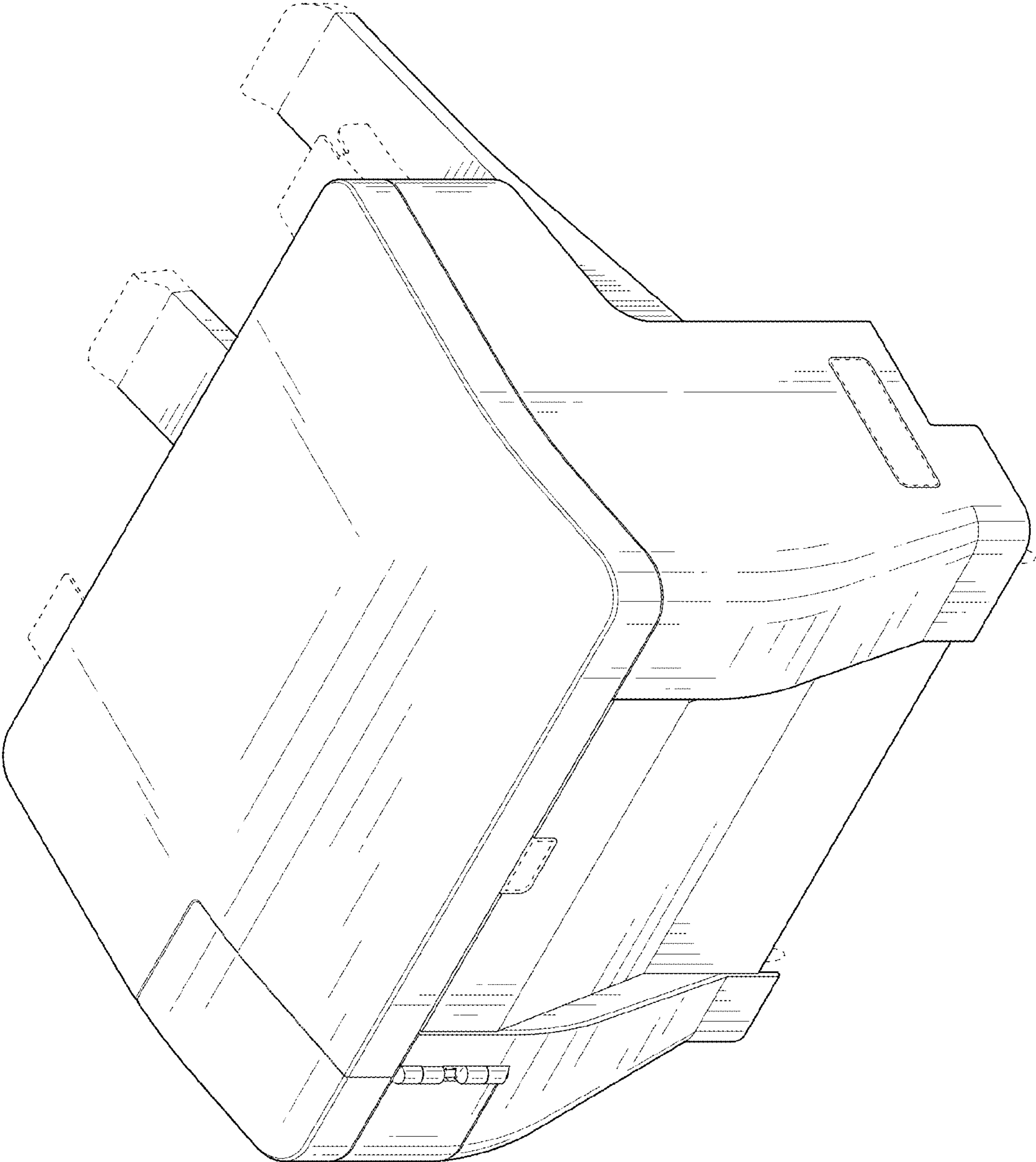


FIG. 8