



US00D894267S

(12) **United States Design Patent**
Ikeda et al.

(10) **Patent No.:** **US D894,267 S**

(45) **Date of Patent:** **** Aug. 25, 2020**

(54) **TONER CARTRIDGE**

(71) Applicant: **KONICA MINOLTA, INC.**,
Chiyoda-ku, Tokyo (JP)

(72) Inventors: **Hideaki Ikeda**, Toyokawa (JP); **Hideji Higashimura**, Toyokawa (JP); **Takeru Kinoshita**, Toyokawa (JP)

(73) Assignee: **KONICA MINOLTA, INC.**,
Chiyoda-Ku, Tokyo (JP)

(**) Term: **15 Years**

(21) Appl. No.: **29/673,259**

(22) Filed: **Dec. 13, 2018**

(30) **Foreign Application Priority Data**

Sep. 21, 2018 (JP) 2018-020531

(51) **LOC (12) Cl.** **16-03**

(52) **U.S. Cl.**
USPC **D18/43**

(58) **Field of Classification Search**

USPC D15/122, 135-138, 141, 66, 73, 76-78;
D18/53, 59, 50, 14, 19, 54-57, 36-45,
D18/34.4, 34.5, 34.6, 18, 51;
D14/301-303, 307, 345; D6/691.4, 675,
D6/708; D13/107, 108
CPC B41J 2/14; B41J 1/54; B41J 3/4073; B41J
3/4078; B41F 17/22; B41F 17/003; B41F
17/38; B28B 1/001; G03G 15/08; G03G
15/0891; G03G 15/0875; G03G
2215/0827; G03G 2215/0855; G03G
21/1842

See application file for complete search history.

(56) **References Cited**

U.S. PATENT DOCUMENTS

D400,916 S * 11/1998 Ui D18/43
D404,758 S * 1/1999 Koide D18/43
D430,197 S * 8/2000 Wang D18/43

(Continued)

Primary Examiner — T Chase Nelson

Assistant Examiner — Mary Claire Ramirez

(74) *Attorney, Agent, or Firm* — Buchanan Ingersoll & Rooney PC

(57) **CLAIM**

The ornamental design for a toner cartridge, as shown and described.

DESCRIPTION

FIG. 1 is a front elevational view of a toner cartridge showing our new design;

FIG. 2 is a rear elevational view thereof;

FIG. 3 is a left side elevational view thereof;

FIG. 4 is a right side elevational view thereof;

FIG. 5 is a top plan view thereof;

FIG. 6 is a bottom plan view thereof;

FIG. 7 is a front, left and top perspective view thereof;

FIG. 8 is an enlarged view of the portion of the toner cartridge demarcated as 8 in FIG. 1;

FIG. 9 is an enlarged view of the portion of the toner cartridge demarcated as 9 in FIG. 2;

FIG. 10 is an enlarged view of the toner cartridge shown in FIG. 3;

FIG. 11 is an enlarged view of the toner cartridge shown in FIG. 4;

FIG. 12 is an enlarged view of the portion of the toner cartridge demarcated as 12 in FIG. 5;

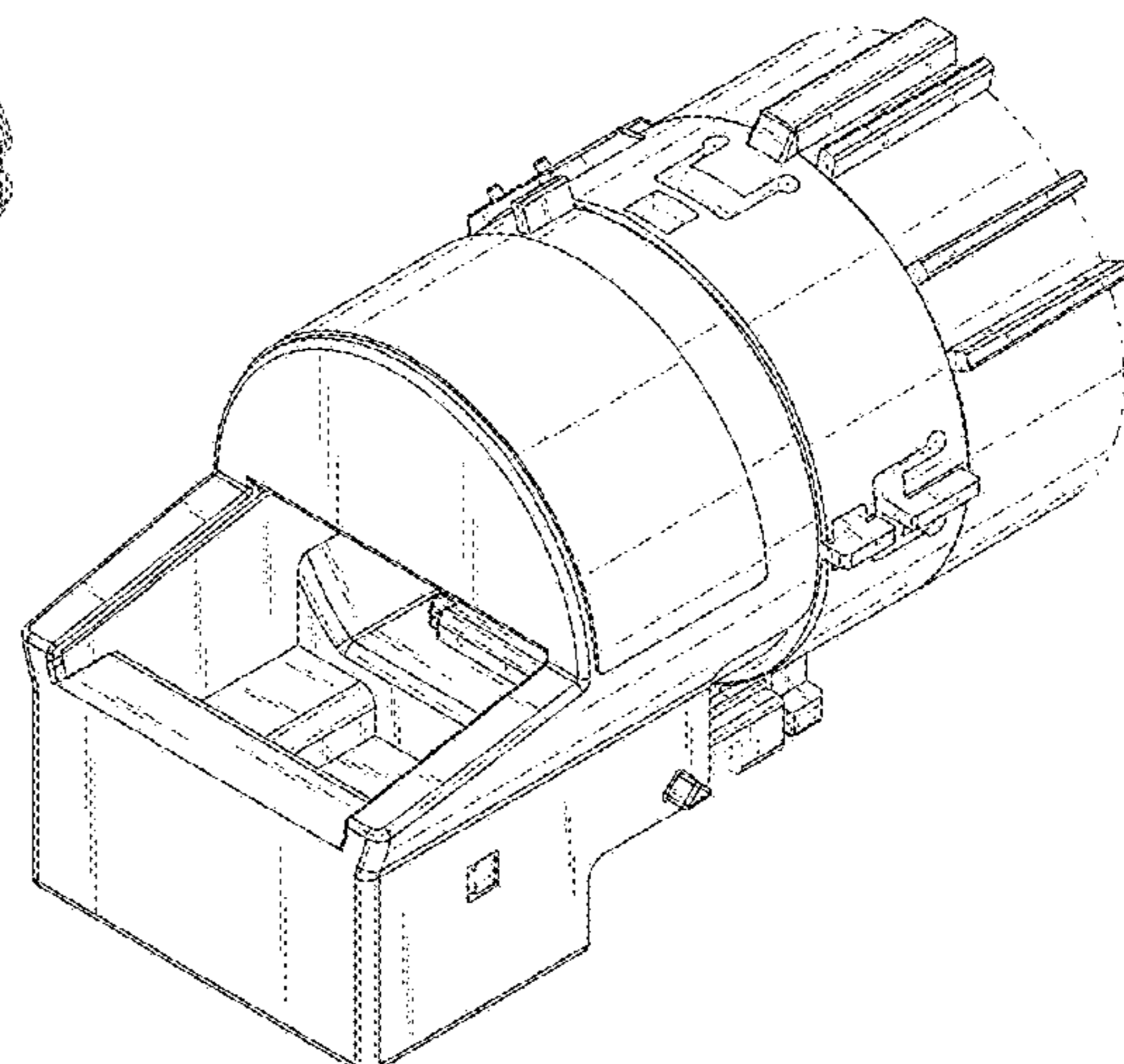
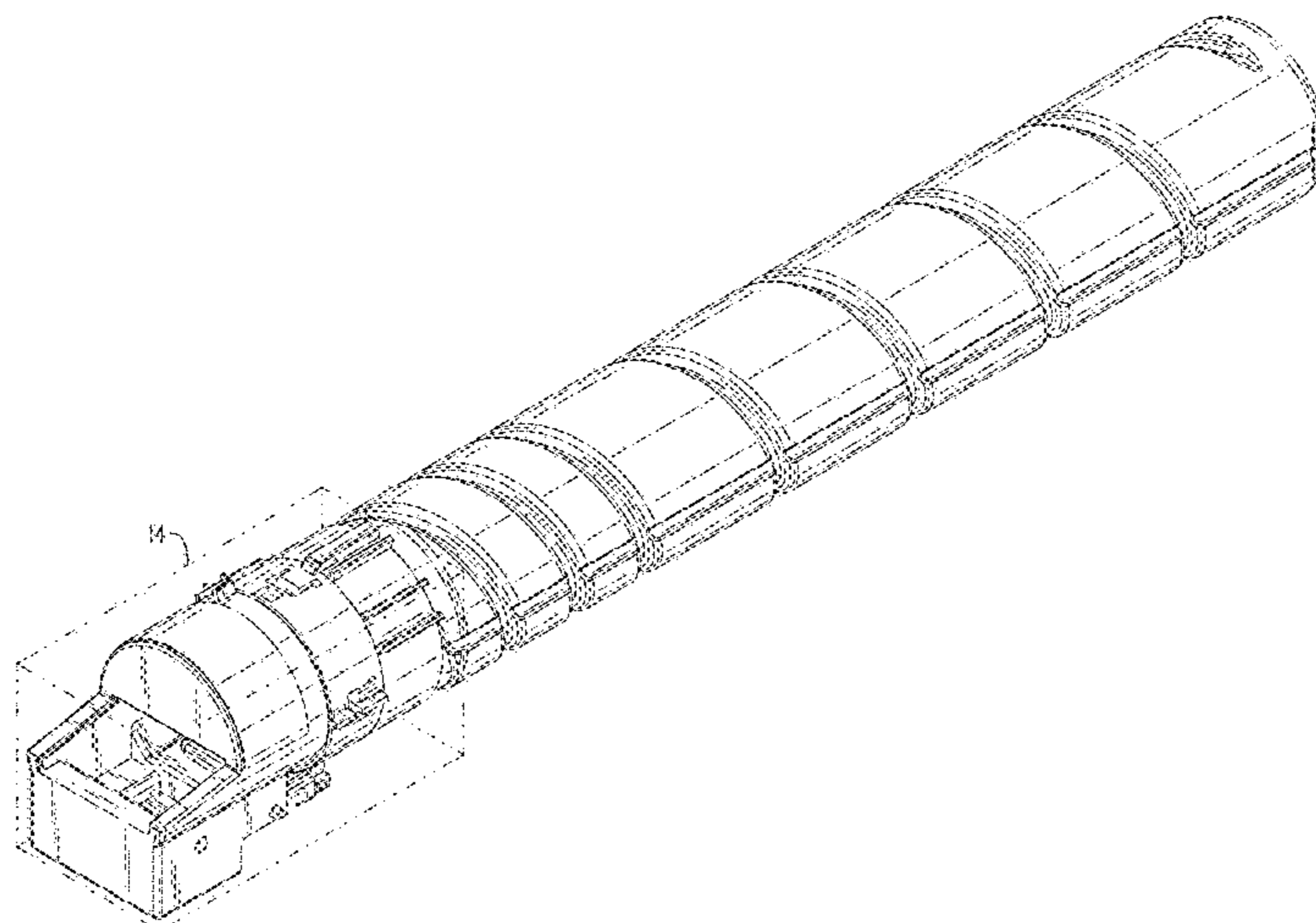
FIG. 13 is an enlarged view of the portion of the toner cartridge demarcated as 13 in FIG. 6;

FIG. 14 is an enlarged view of the portion of the toner cartridge demarcated as 14 in FIG. 7; and,

FIG. 15 is another perspective view showing the toner cartridge in a state of use.

The broken line showing of portions of the toner cartridge form no part of the claimed design. The broken lines showing toner cartridges in FIG. 15 are for environmental purposes only and form no part of the claimed design.

1 Claim, 12 Drawing Sheets



(56)

References Cited

U.S. PATENT DOCUMENTS

D436,121 S * 1/2001 Wang D18/43
 D442,986 S * 5/2001 Tsuji D18/43
 D472,572 S * 4/2003 Kaiho D18/43
 D500,076 S * 12/2004 Takuwa D18/43
 D531,662 S * 11/2006 Tsuda D18/43
 D532,037 S * 11/2006 Tsuda D18/43
 D599,845 S * 9/2009 Kurenuma D18/43
 D602,519 S * 10/2009 Kurenuma D18/43
 D602,985 S * 10/2009 Yoshizawa D18/43
 D622,311 S * 8/2010 Yoshida D18/43
 D622,759 S * 8/2010 Yoshida D18/43
 D630,243 S * 1/2011 Takiguchi D18/43
 D630,244 S * 1/2011 Takiguchi D18/43
 D636,435 S * 4/2011 Naito D18/43
 D636,436 S * 4/2011 Takami D18/43
 D636,813 S * 4/2011 Kikuchi D18/43
 8,005,406 B2 * 8/2011 Hosokawa G03G 15/0886
 399/258
 D653,702 S * 2/2012 Amberg D18/43
 D655,748 S * 3/2012 Takami D18/43
 D656,181 S * 3/2012 Kikuchi D18/43

D689,129 S * 9/2013 Okino D18/43
 D711,462 S * 8/2014 Jimba D18/43
 D712,459 S * 9/2014 Koshimori D18/43
 D718,382 S * 11/2014 Kikuchi D18/43
 D758,482 S * 6/2016 Takahashi G03G 15/55
 D18/43
 D793,472 S * 8/2017 Suzuki D18/43
 D795,339 S * 8/2017 Kuboki D18/43
 D796,575 S * 9/2017 Murata D18/43
 D798,380 S * 9/2017 Murata D18/43
 D816,153 S * 4/2018 Oizumi D18/43
 D829,813 S * 10/2018 Kubo D18/43
 D829,814 S * 10/2018 Kubo D18/43
 D855,105 S * 7/2019 Uesugi D18/40
 D864,288 S * 10/2019 Oizumi D18/43
 D879,194 S * 3/2020 Kikuchi D18/43
 2010/0202802 A1 * 8/2010 Takeshita G03G 9/107
 399/258
 2017/0176891 A1 * 6/2017 Chuang G03G 15/0865
 2017/0293239 A1 * 10/2017 Murata G03G 15/0872
 2018/0143565 A1 * 5/2018 Chuang G03G 15/0872
 2019/0339633 A1 * 11/2019 Yasuda G03G 15/0886
 2020/0081372 A1 * 3/2020 Kinoshita G03G 15/0886

* cited by examiner

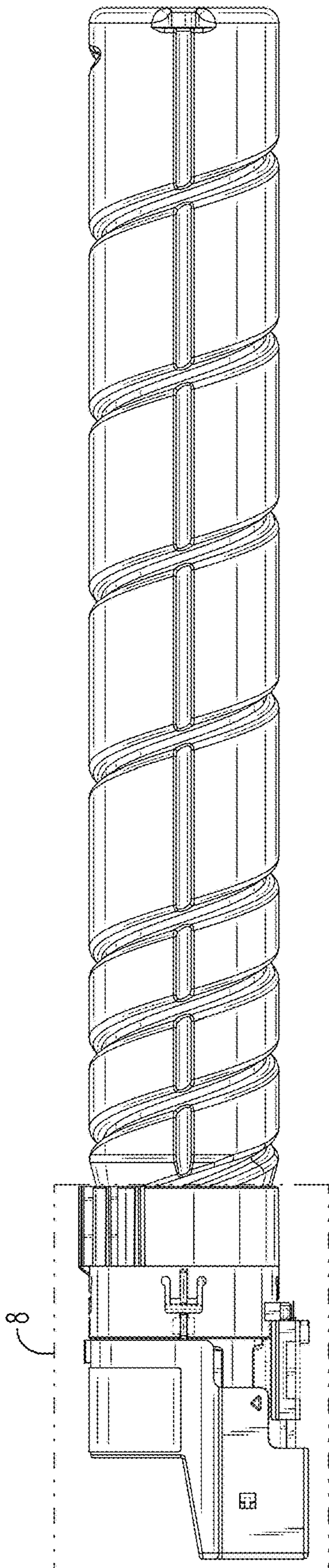


FIG. 1

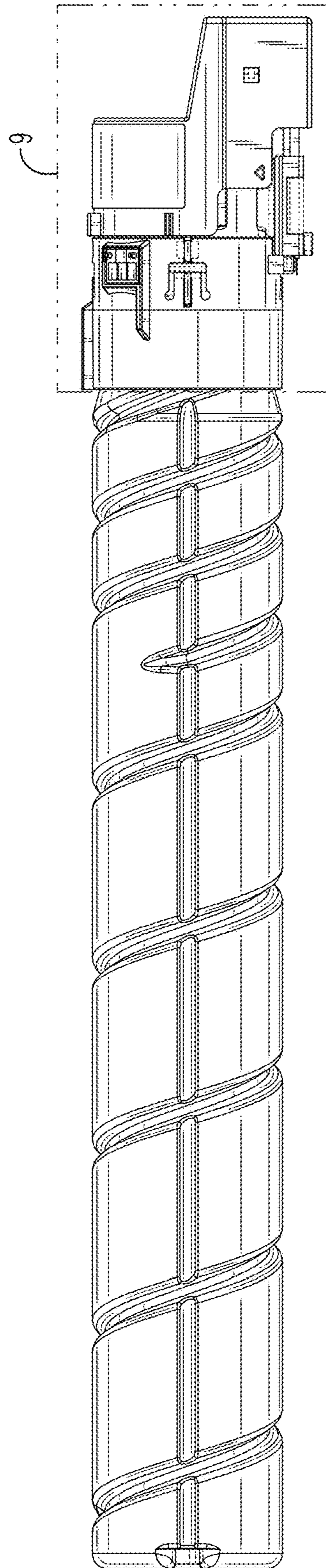


FIG. 2

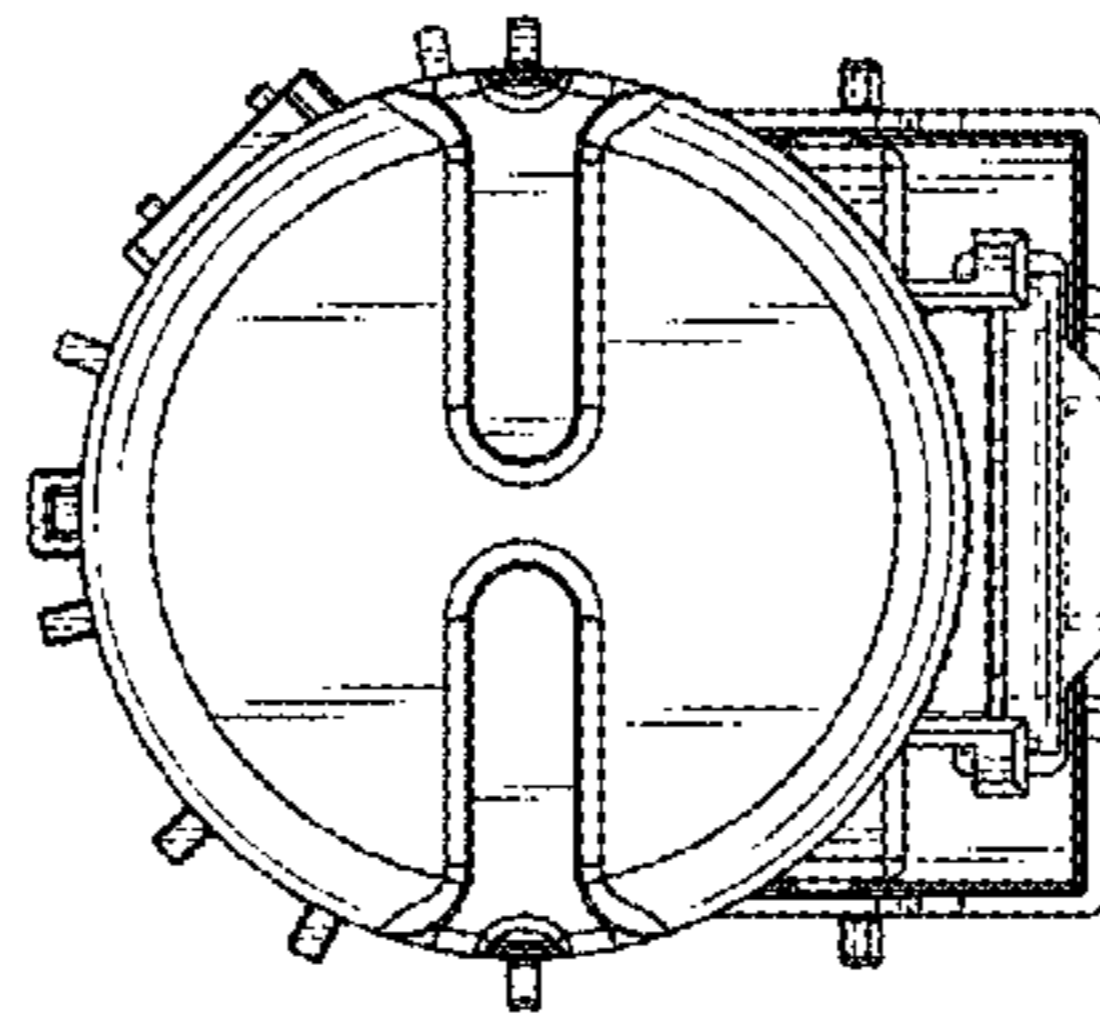


FIG. 4

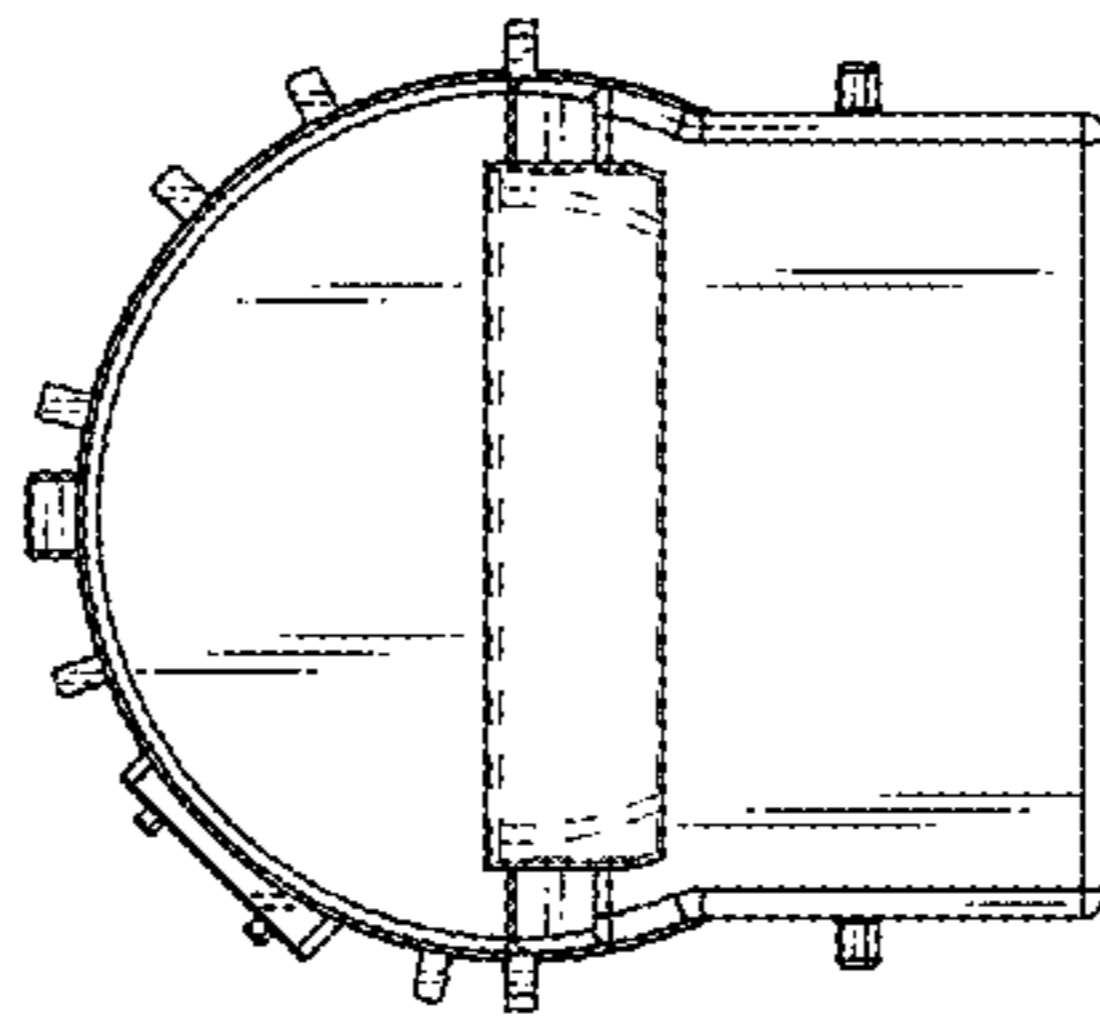


FIG. 3

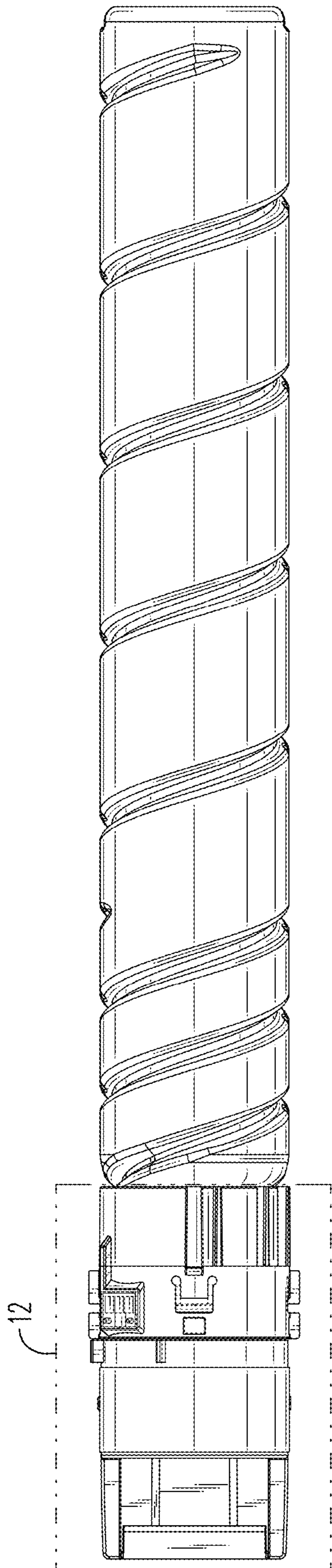


FIG. 5

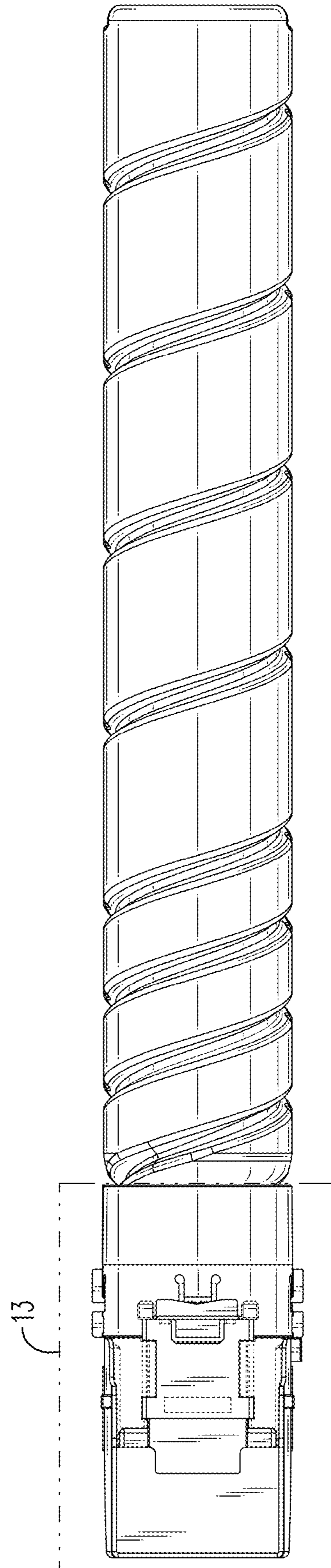


FIG. 6

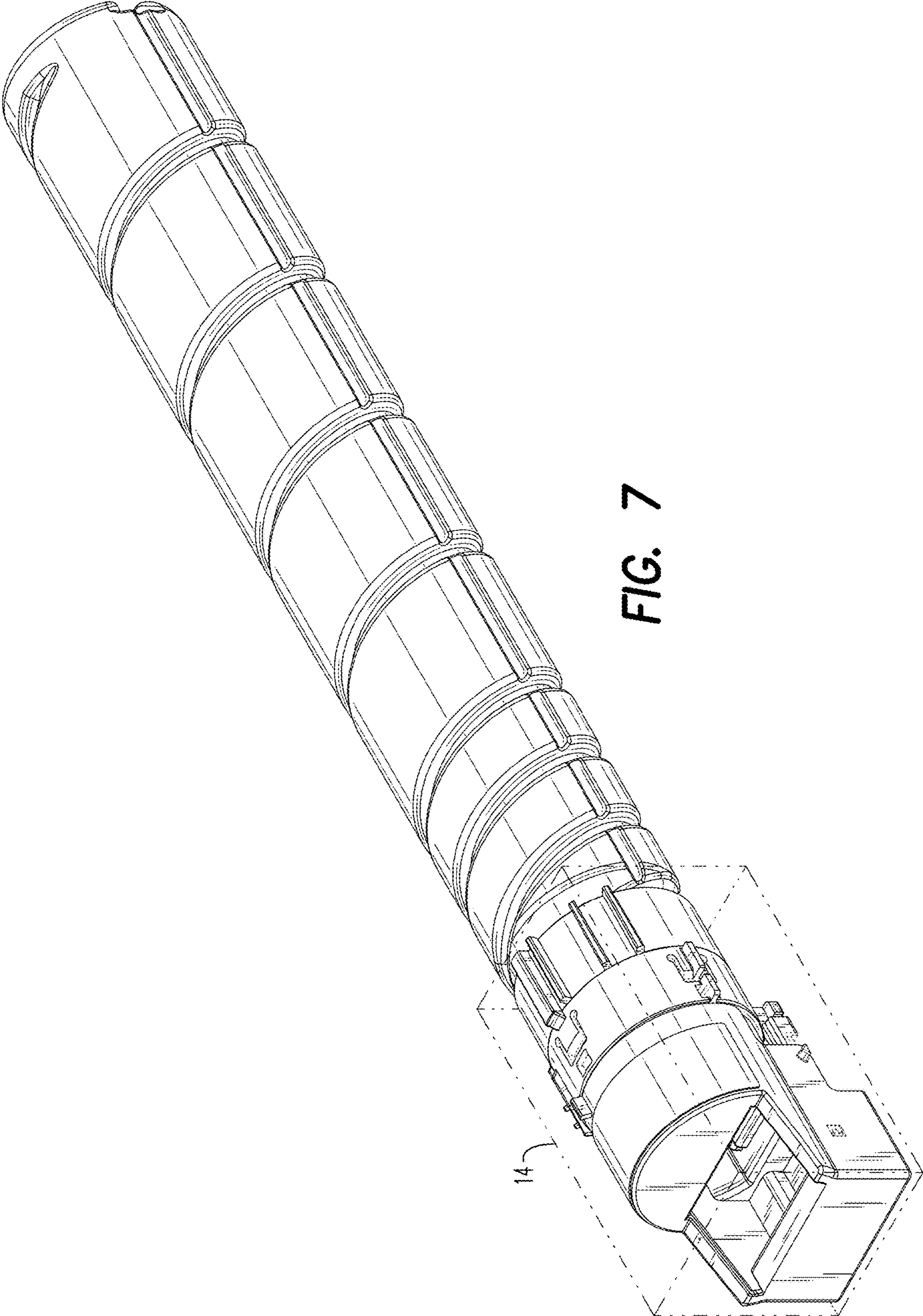


FIG. 7

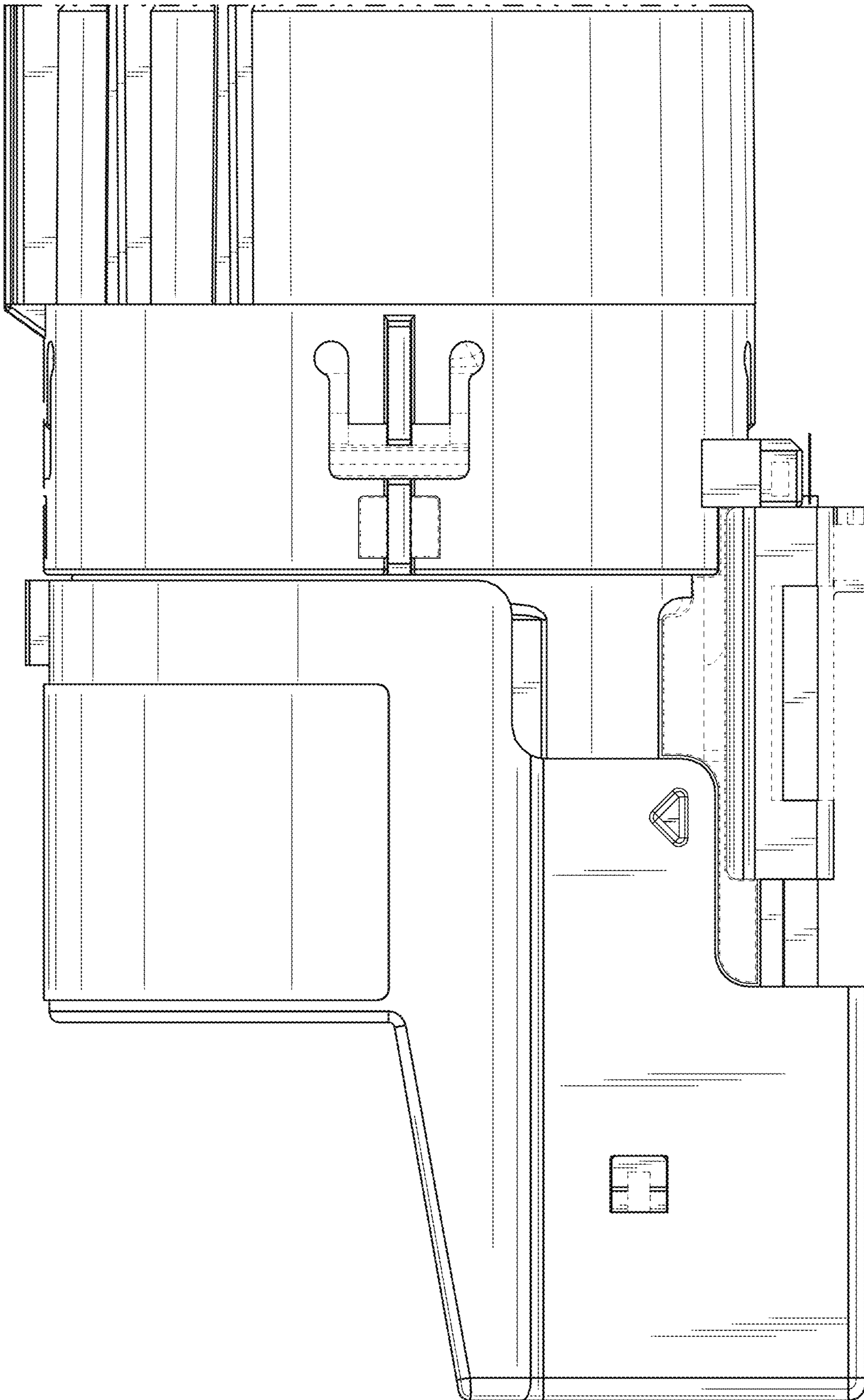


FIG. 8

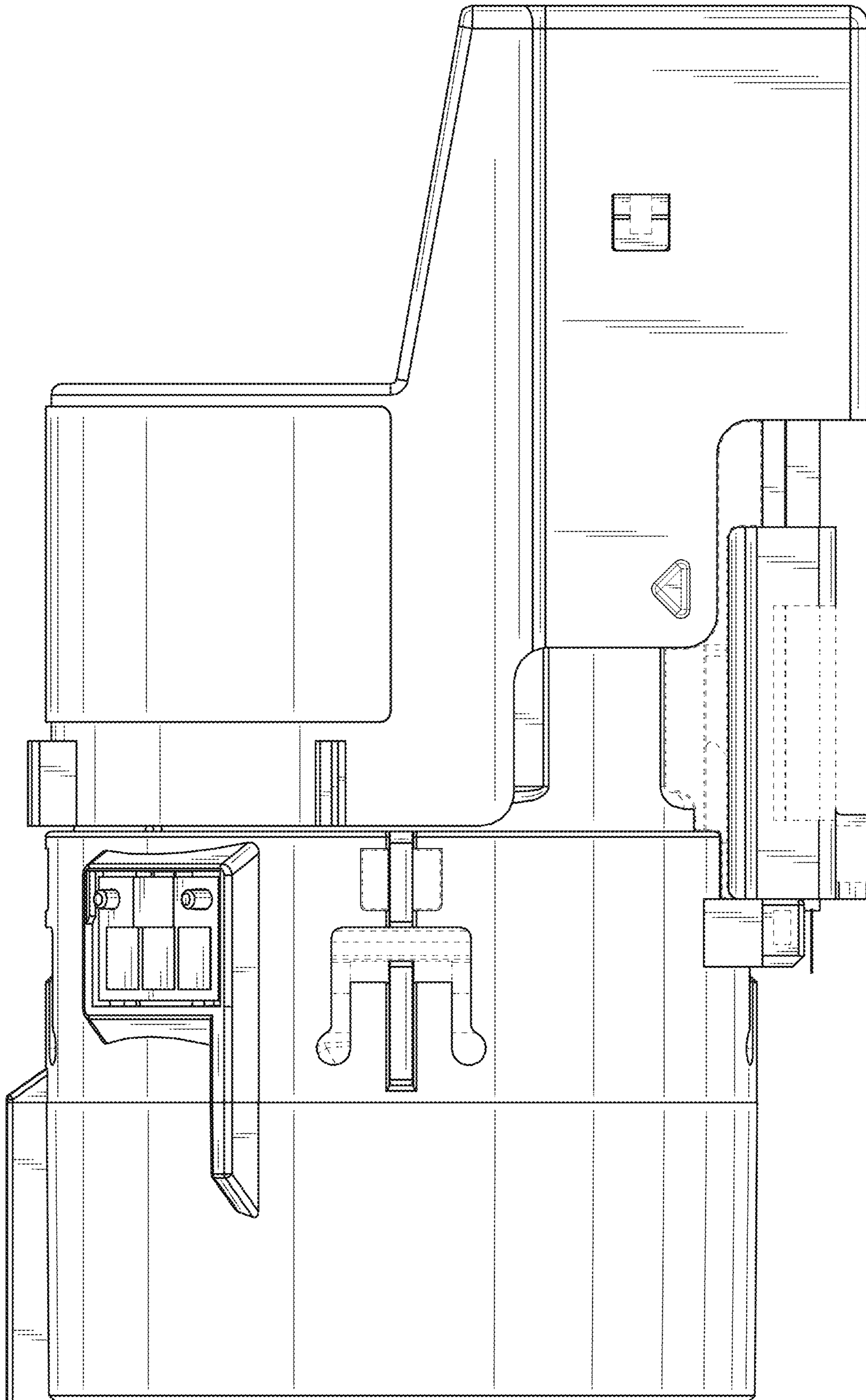


FIG. 9

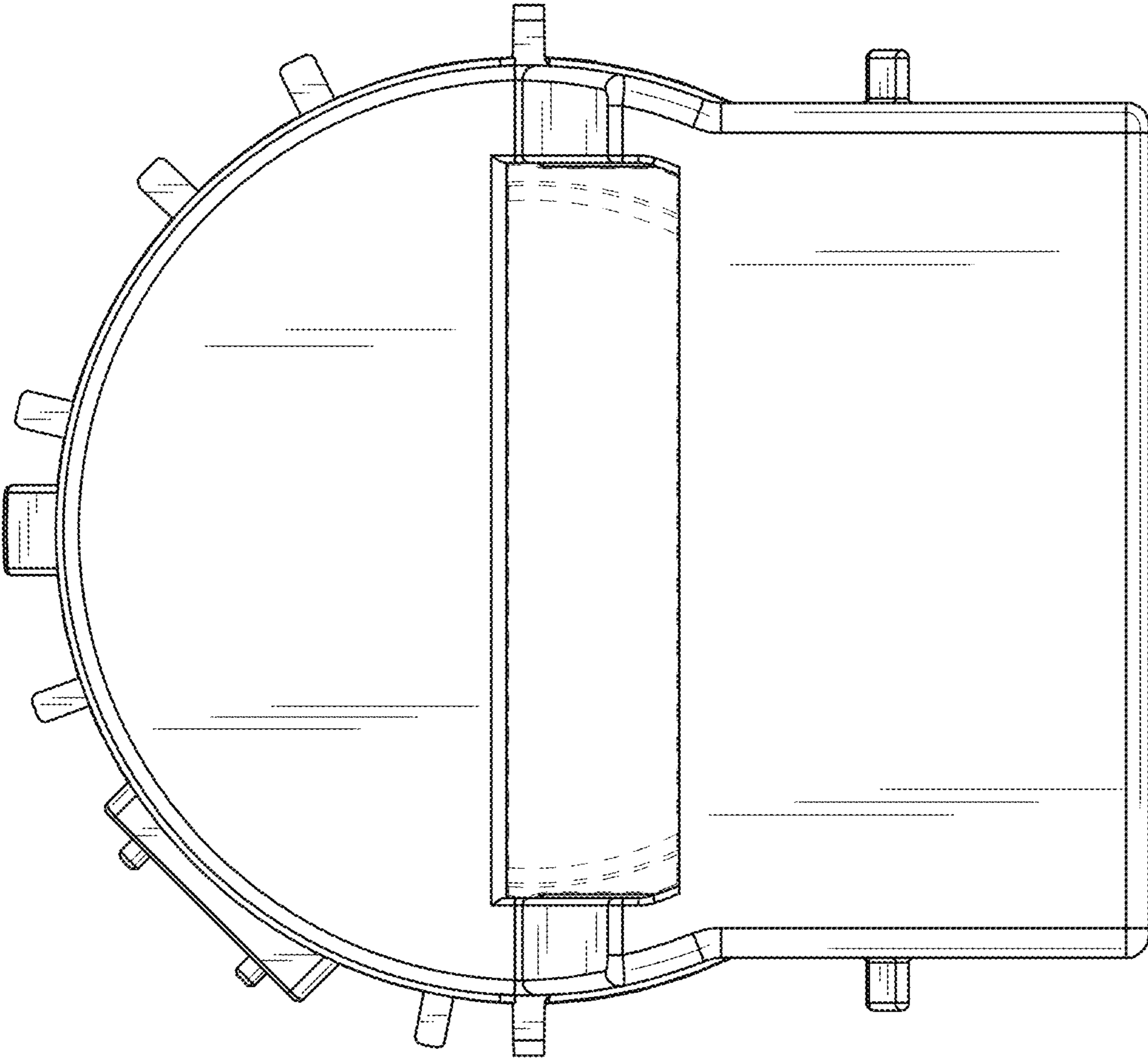


FIG. 10

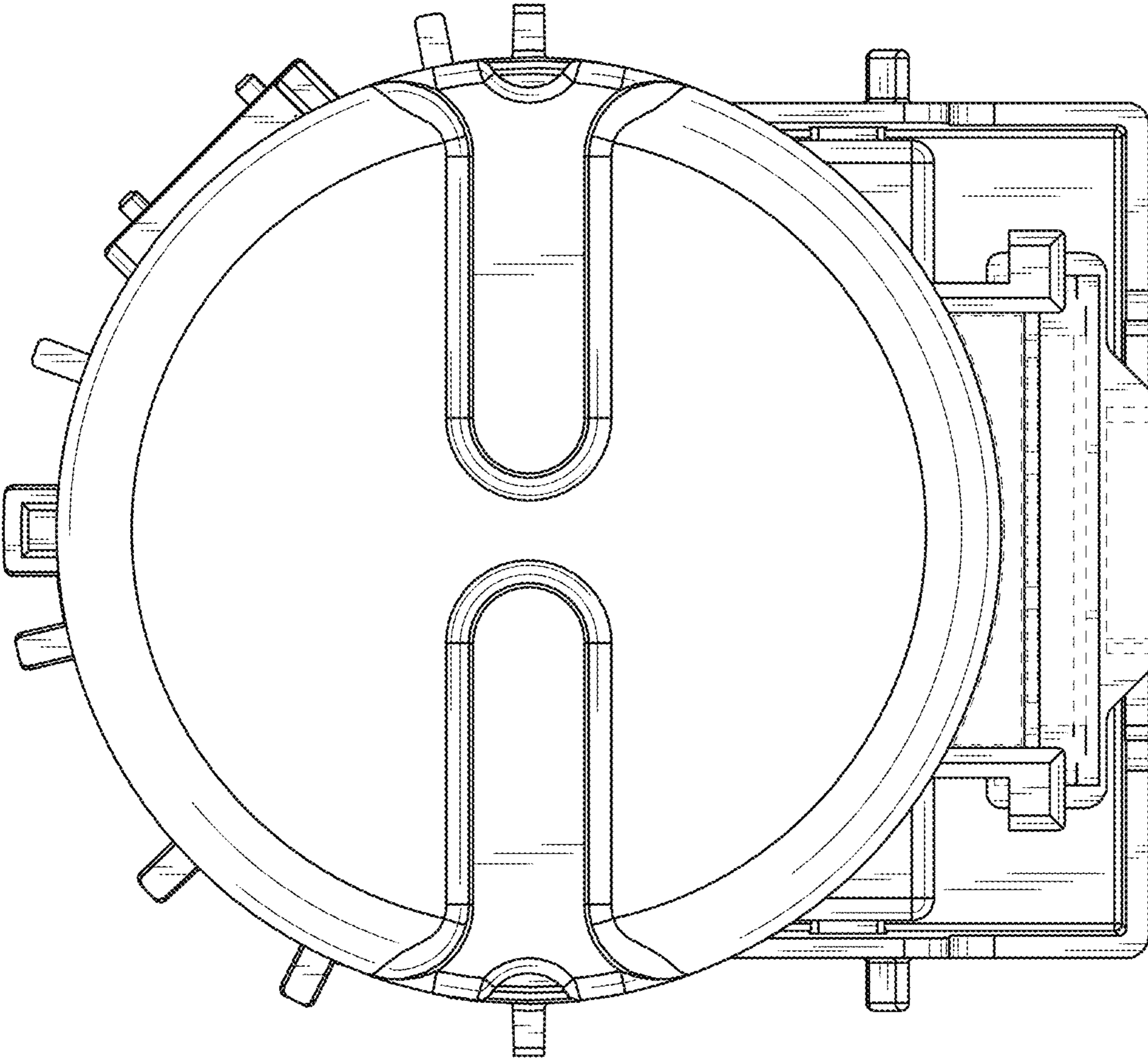


FIG. 11

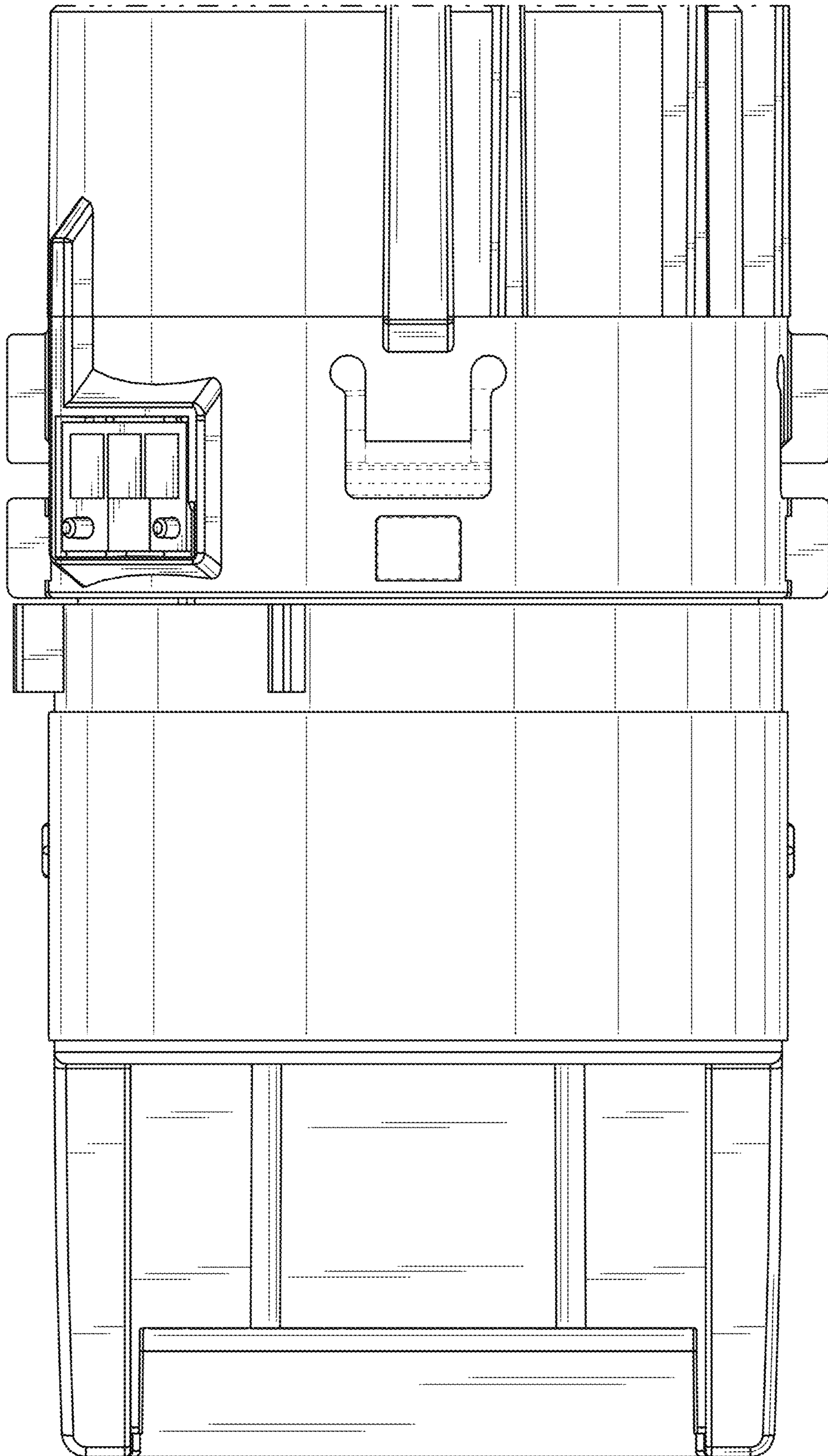


FIG. 12

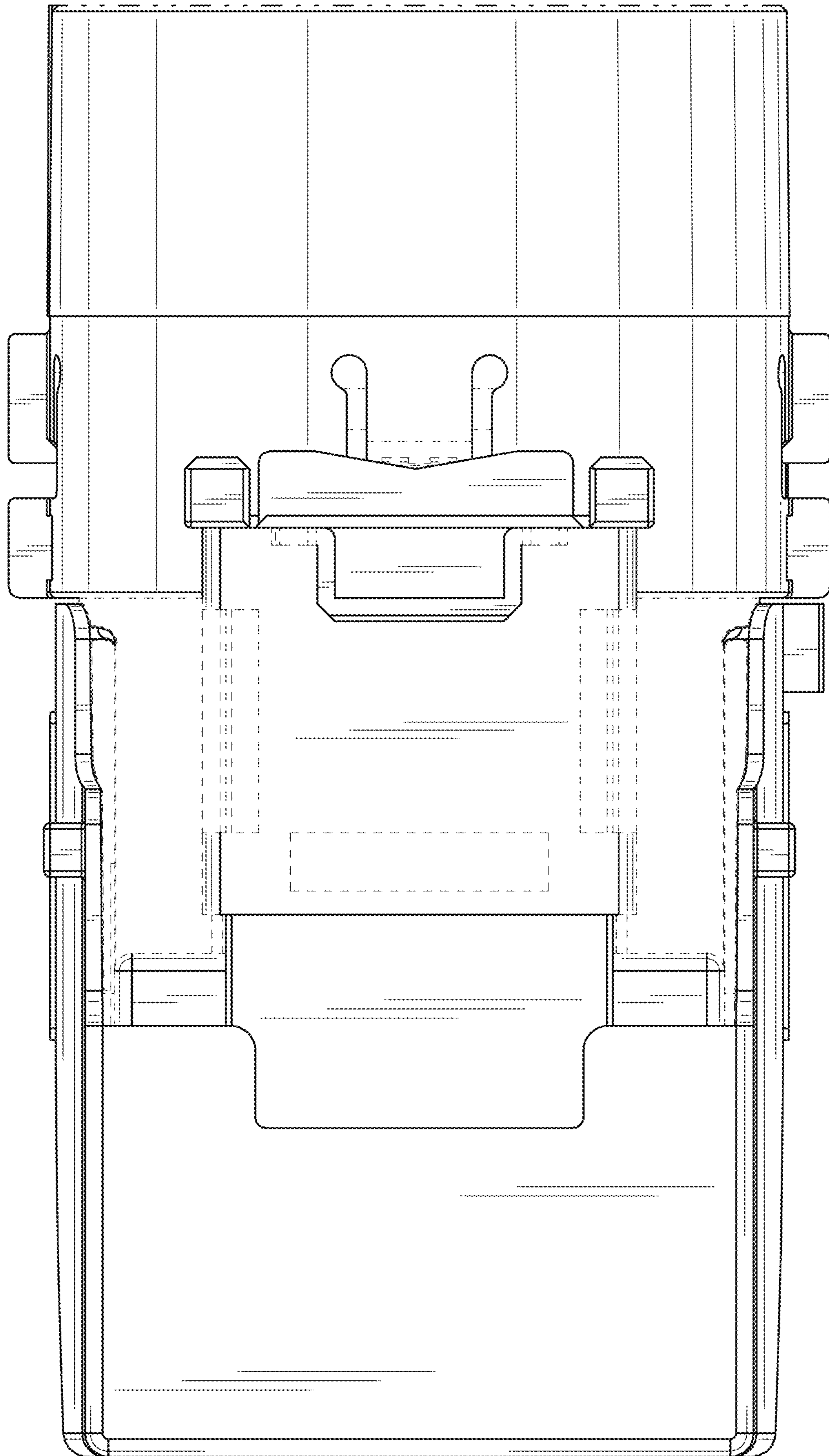


FIG. 13

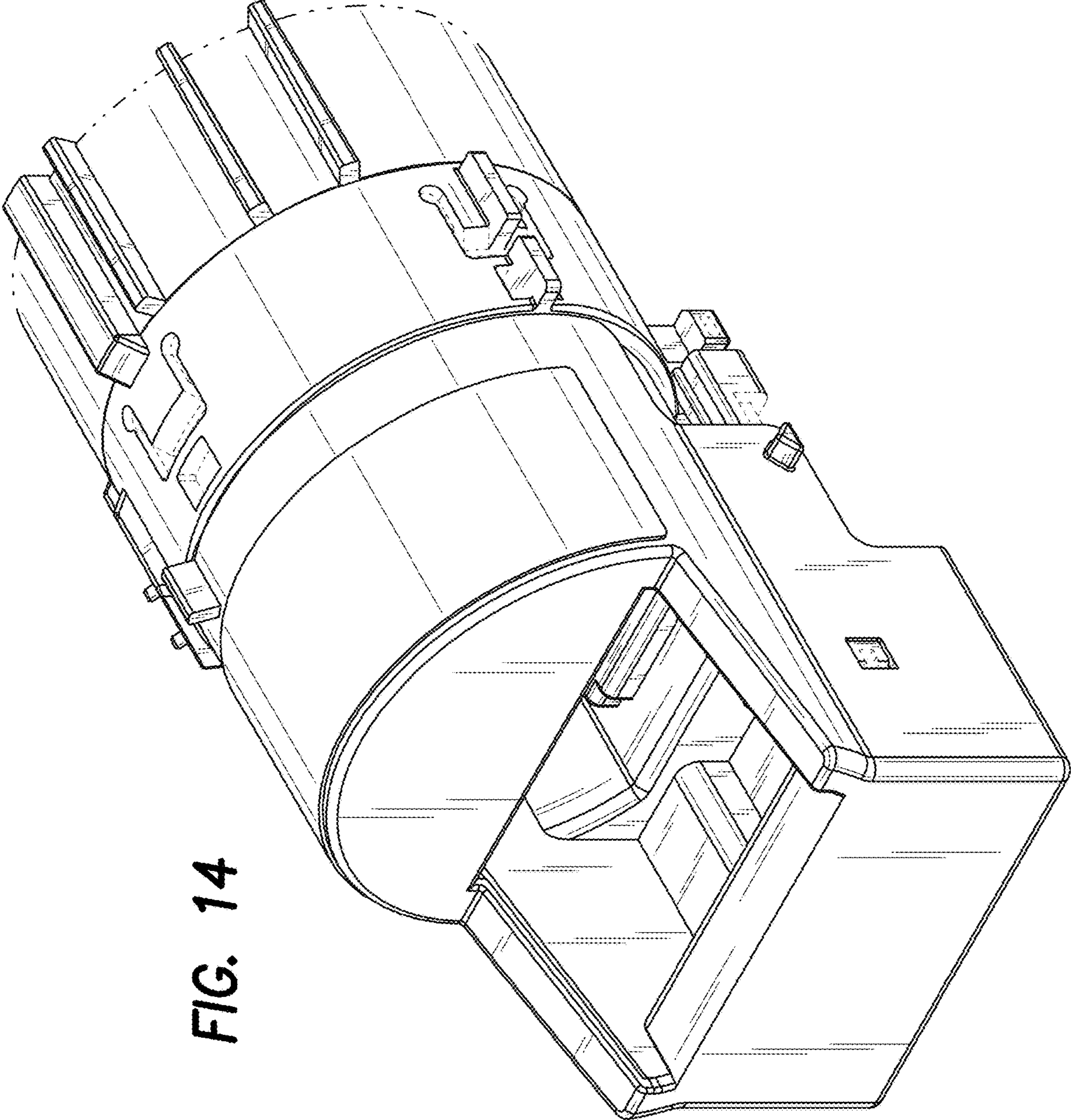


FIG. 14

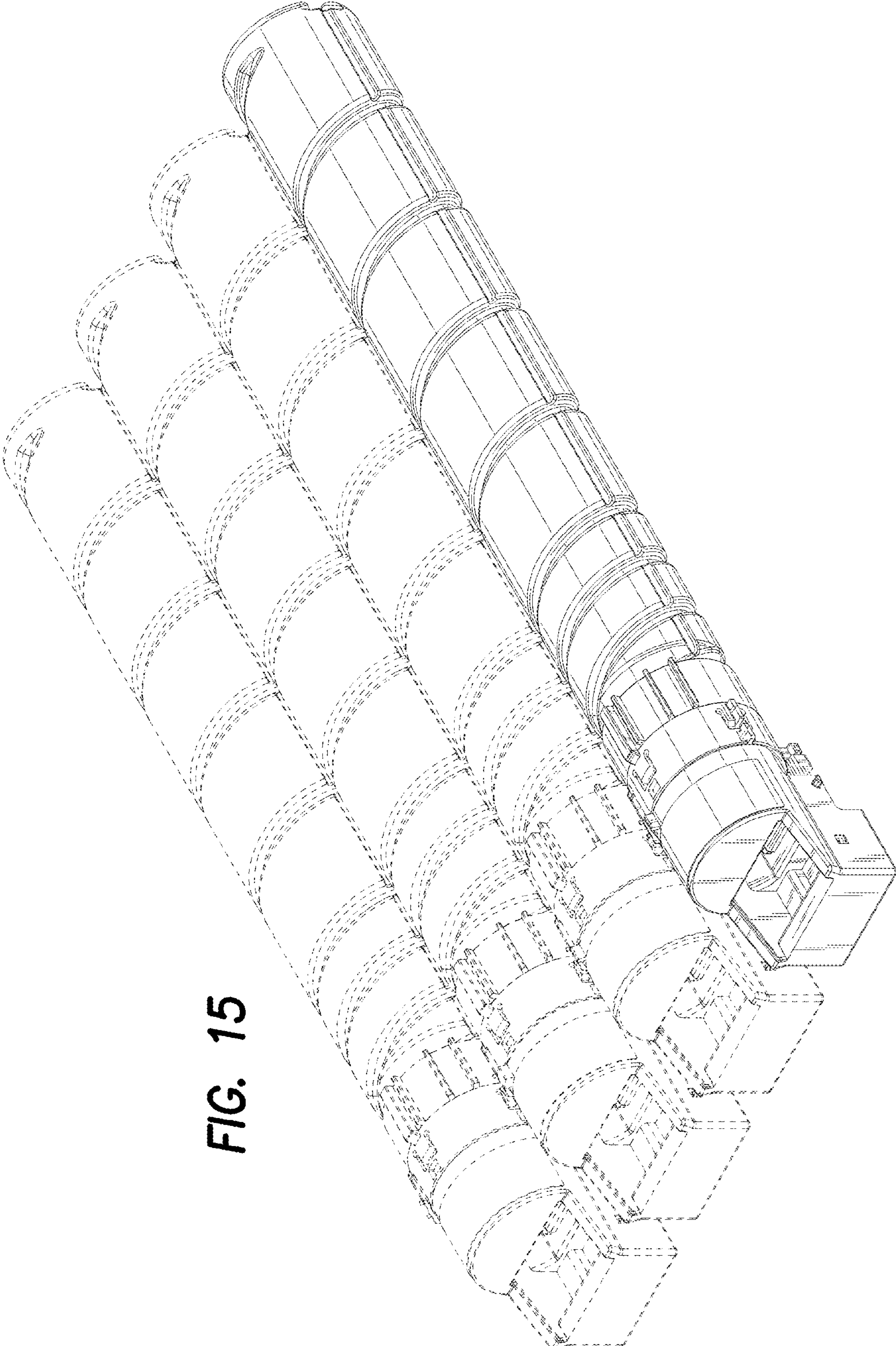


FIG. 15