

US00D894265S

(12) **United States Design Patent** (10) **Patent No.:** **US D894,265 S**
Jiang et al. (45) **Date of Patent:** **** Aug. 25, 2020**

(54) **INKJET PEN**
(71) Applicant: **Shenzhen Eve-Innovations Technology Co., Ltd.**, Shenzhen (CN)
(72) Inventors: **Hailong Jiang**, Sui Ning (CN); **Xiang Li**, Shenzhen (CN)
(73) Assignee: **Shenzhen Eve-Innovations Technology Co., Ltd.**, Shenzhen (CN)

D706,337 S * 6/2014 Blacken D18/14
D708,129 S * 7/2014 Houghton D13/103
D715,356 S * 10/2014 Nakagawa D18/19
D800,210 S * 10/2017 Kamei D18/14
D810,197 S * 2/2018 Parekh D19/66
D838,770 S * 1/2019 Sato D18/19
D865,049 S * 10/2019 Bidwell D18/19

(Continued)

(**) Term: **15 Years**
(21) Appl. No.: **29/700,760**

FOREIGN PATENT DOCUMENTS

CA 2377910 A1 * 1/2001 G06Q 30/0248

(22) Filed: **Aug. 6, 2019**

OTHER PUBLICATIONS

Amazon. Link: https://www.amazon.com/dp/B083QVF9Y8/ref=cm_sw_em_r_mt_dp_U_8XY-EbDZKM6FA. Jan. 11, 2020. EVEBOT PrintPen, Portable Printer for All Surfaces by kiimkiim. (Year: 2020).*

(30) **Foreign Application Priority Data**

May 17, 2019 (CN) 2019 3 0242285

(Continued)

(51) **LOC (12) Cl.** **18-99**
(52) **U.S. Cl.**
USPC **D18/19**

Primary Examiner — Lauren D McVey

(74) *Attorney, Agent, or Firm* — Bayramoglu Law Offices LLC

(58) **Field of Classification Search**
USPC D18/14, 15, 16, 17, 18, 19, 36, 37, 38, D18/39, 40, 41, 45, 50, 53, 54, 55, 56; D19/65, 66, 67, 68, 69, 70, 71; D14/301, D14/307, 121
CPC H04N 1/00204; H04N 1/00249; H04N 1/00278; G06K 15/12; G06K 15/14; B41J 3/00; B41J 3/28; B41J 3/445; B41J 3/46; B41J 11/0045; B41J 2/3358; B41J 3/36; B41J 3/382
See application file for complete search history.

(57) **CLAIM**

The ornamental design for an inkjet pen, as shown and described.

DESCRIPTION

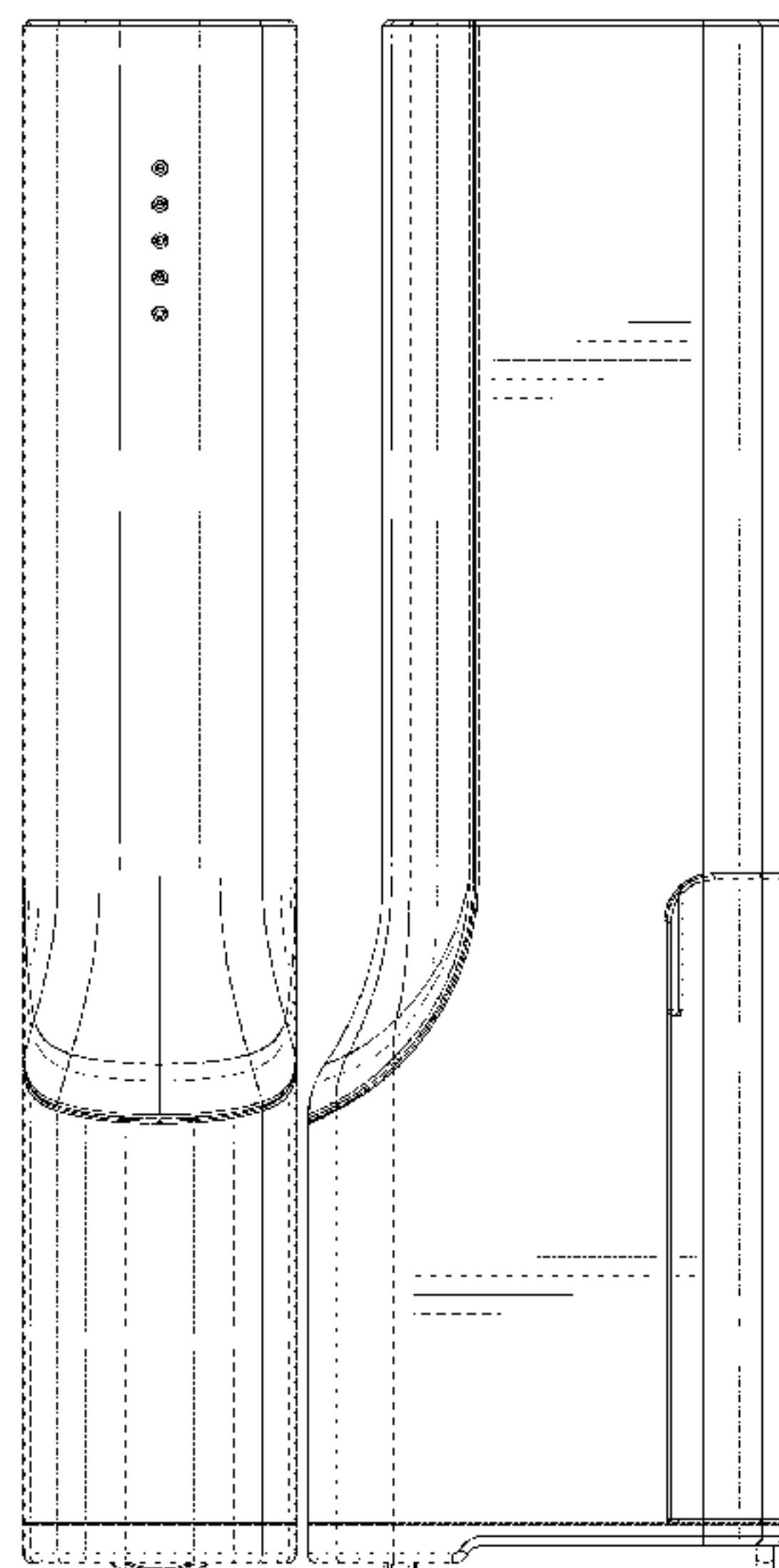
FIG. 1 is a perspective view of an inkjet pen showing our new design;
FIG. 2 is a front elevational view thereof;
FIG. 3 is a rear elevational view thereof;
FIG. 4 is a right side elevational view thereof;
FIG. 5 is a left side view elevational thereof;
FIG. 6 is a top plan view thereof; and,
FIG. 7 is a bottom plan view thereof.
The wire frame lines shown throughout the views indicate surface contour.

(56) **References Cited**

U.S. PATENT DOCUMENTS

D291,581 S * 8/1987 Adams D18/14
D301,198 S * 5/1989 Hoshino D8/61
D324,699 S * 3/1992 Ohashi D19/188
D474,508 S * 5/2003 Lammers D19/73
D678,936 S * 3/2013 Oliver D18/14

1 Claim, 7 Drawing Sheets



(56)

References Cited

U.S. PATENT DOCUMENTS

2018/0361761 A1* 12/2018 Okeguchi B41J 2/01

OTHER PUBLICATIONS

Geeky Gadgets. Link: <https://www.geeky-gadgets.com/selpic-p1-inkjet-printer-pen-10-06-2020/>. Jun. 10, 2020. Selpic P1 inkjet printer pen soon launching from \$89. (Year: 2020).*

* cited by examiner

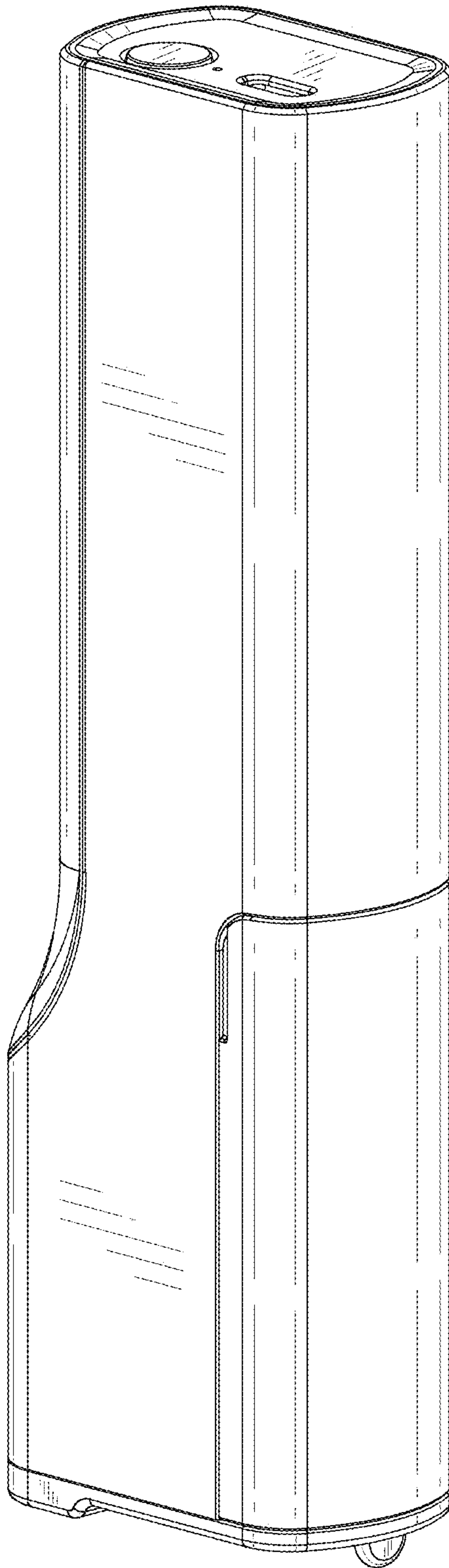


FIG. 1

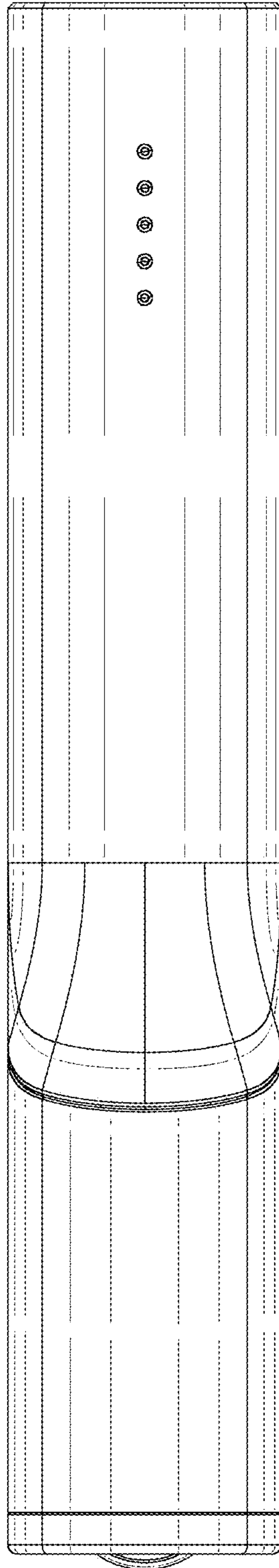


FIG. 2

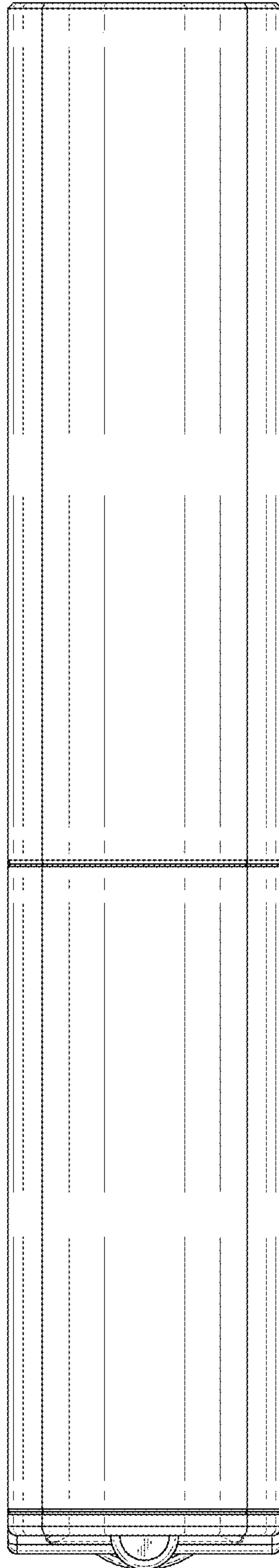


FIG. 3

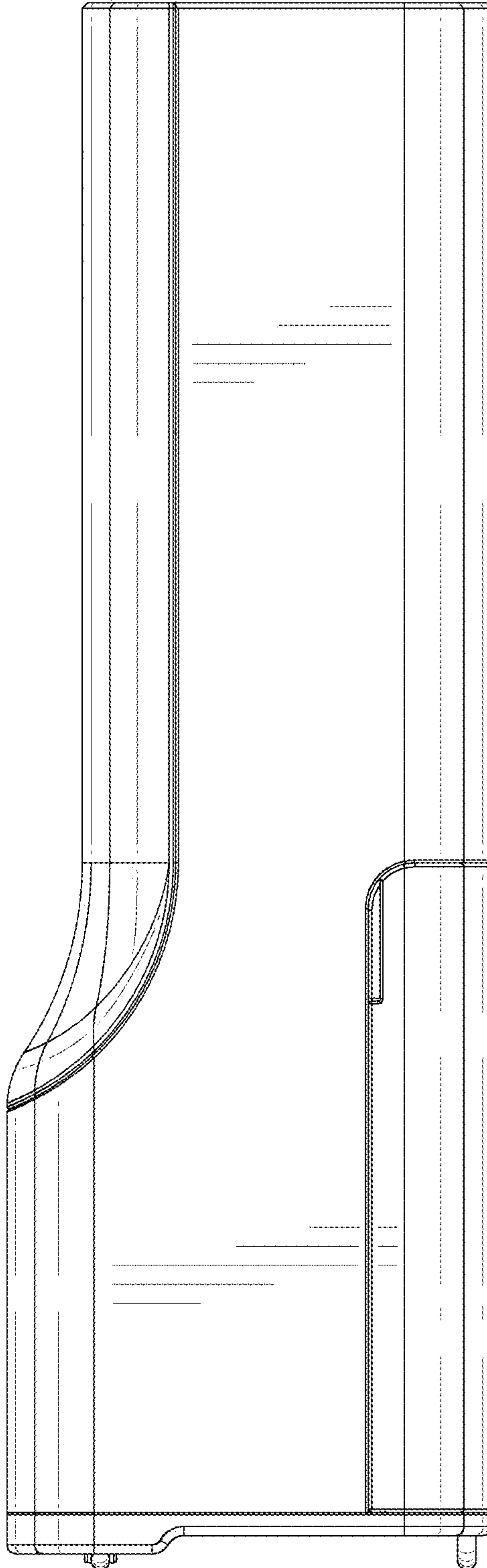


FIG. 4

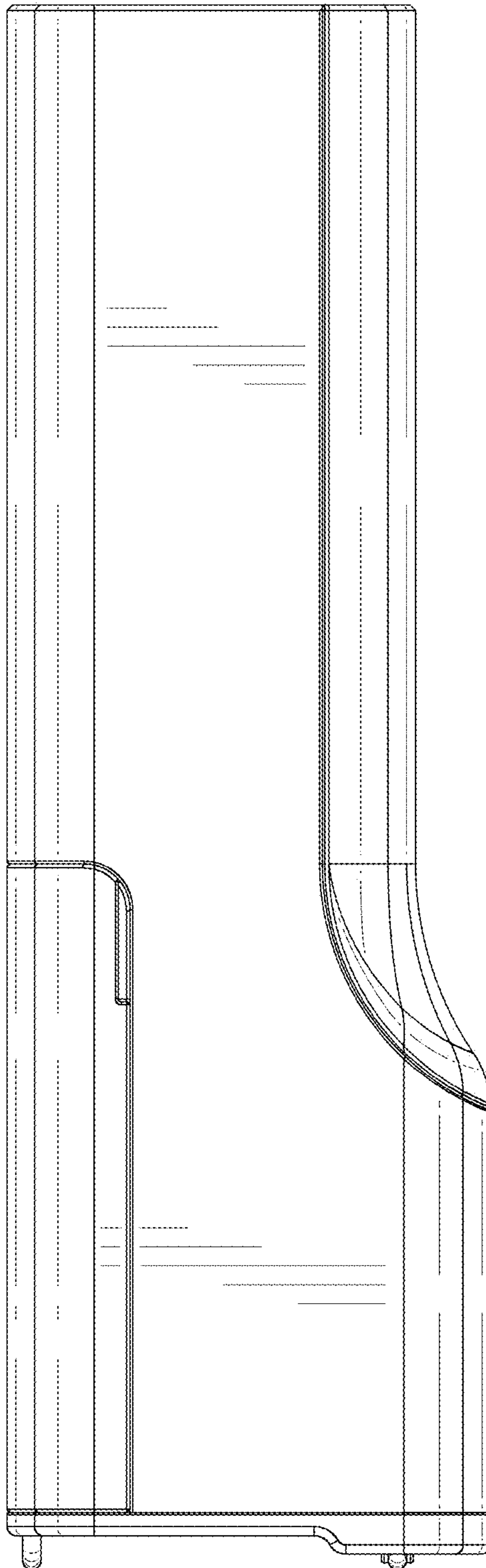


FIG. 5

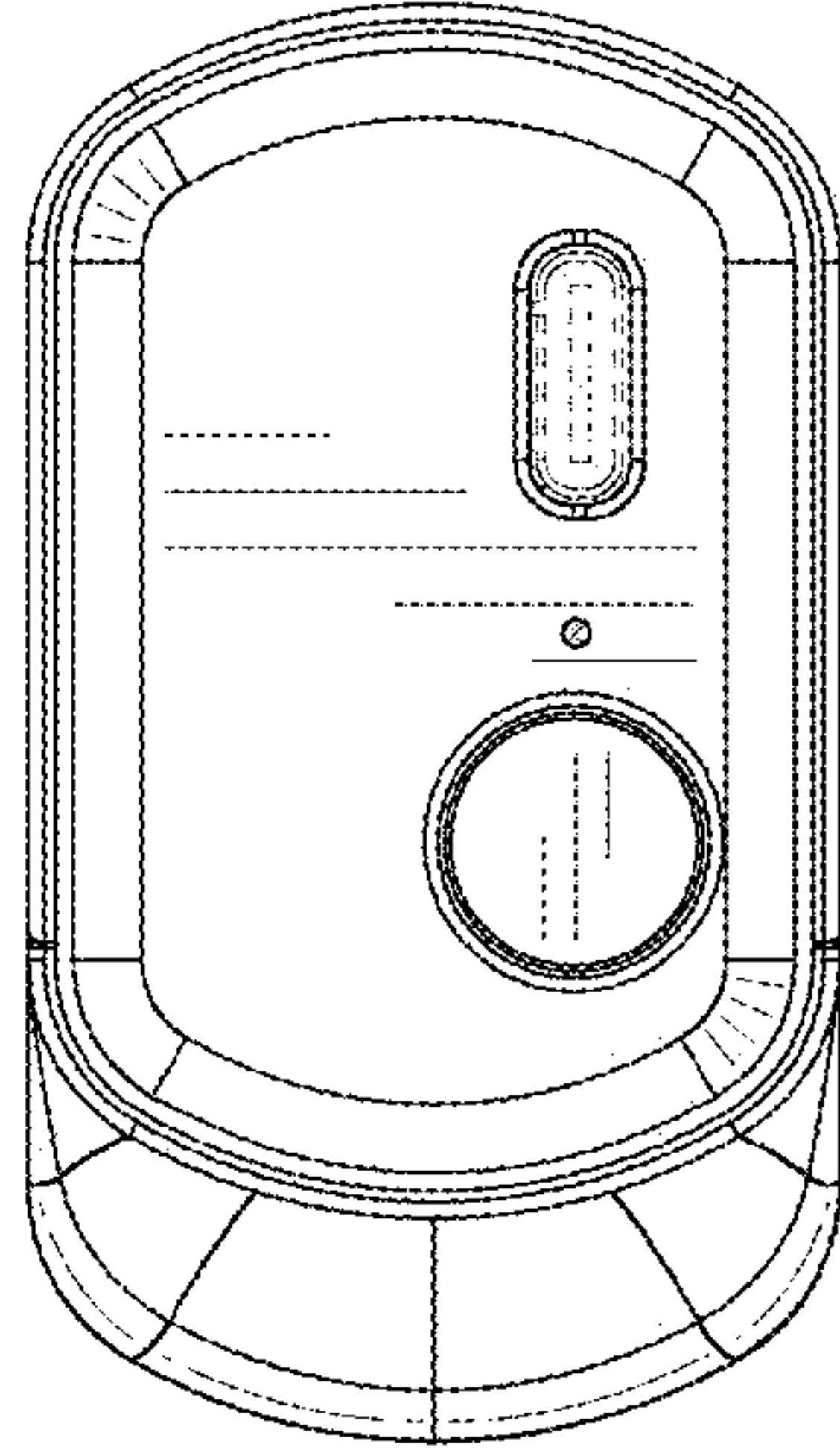


FIG. 6

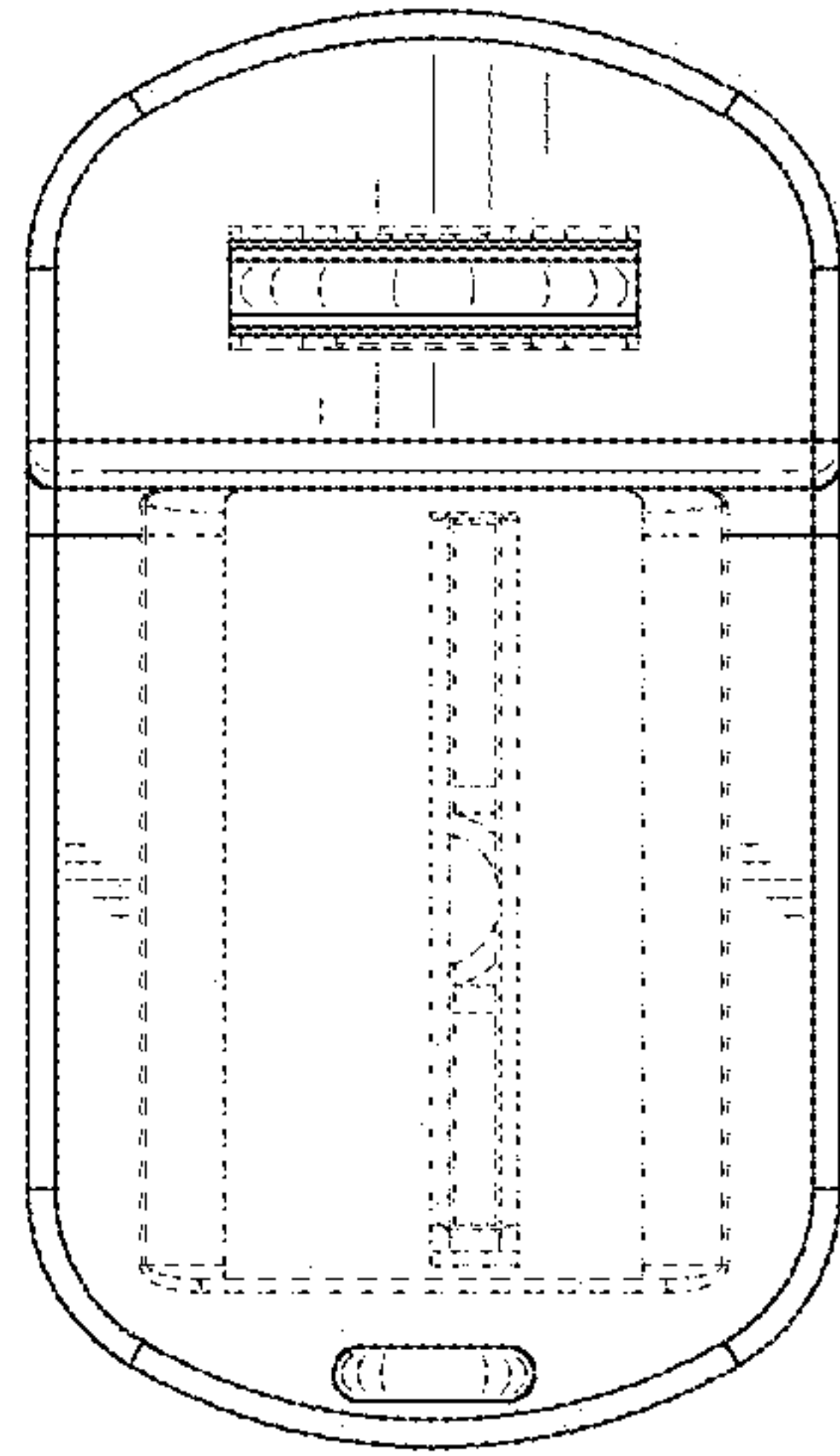


FIG. 7