



US00D894264S

(12) **United States Design Patent** (10) **Patent No.:** **US D894,264 S**
Sarro et al. (45) **Date of Patent:** **** Aug. 25, 2020**

(54) **LABEL PRINTER FOR SYSTEM FOR CUSTOMIZING HAIR DYE FORMULATIONS**

5,074,443 A 12/1991 Fujii et al.
D358,427 S 5/1995 Gobindram
D402,498 S 12/1998 Howard et al.
5,855,626 A 1/1999 Wiegner et al.

(71) Applicant: **Coty Inc.**, New York, NY (US)

(Continued)

(72) Inventors: **David Sarro**, Frankfurt am Main (DE);
Tiziana Monaco, Frankfurt am Main (DE); **Tim Whateley**, Leicester (GB);
Jonathan Ashbridge, Leicestershire (GB); **Liam Burns**, Leicester (GB)

FOREIGN PATENT DOCUMENTS

CN 305010703 * 1/2019
EP 2628601 A1 * 8/2013 B41J 15/02

(Continued)

(73) Assignee: **Coty Inc.**, New York, NY (US)

OTHER PUBLICATIONS

(**) Term: **15 Years**

Amazon. Link: https://www.amazon.com/dp/B07NYPRBV5/ref=cm_sw_em_r_mt_dp_U_jj6PCbT12YG8C. Feb. 19, 2019. Mini Label Printer. (Year: 2019).*

(Continued)

(21) Appl. No.: **29/639,707**

(22) Filed: **Mar. 8, 2018**

(51) **LOC (12) Cl.** **18-99**

(52) **U.S. Cl.**
USPC **D18/19**

(58) **Field of Classification Search**
USPC D18/19, 14, 53, 50, 54, 56, 59, 36, 38,
D18/39, 40, 41, 45, 34.4, 34.5, 34.6;
D14/314, 332, 348-349, 351, 352;
D19/68

CPC B41J 3/4075; B65C 11/00; B65C 11/02;
B65C 11/0205; B65C 11/021; B65C
11/0215; B65C 11/0221; B65C 11/0226;
B65C 11/0231; B65C 11/0236; B65C
11/0242; B65C 11/0252; B65C 11/0257;
B65C 11/0268; B65C 11/0273; B65C
11/0284; B65C 11/0289; B65C 11/0294;
B65C 11/04; B65C 11/046; B65C 11/06;
B65C 11/062; B65C 11/064; B65C
11/066; B65C 11/068

See application file for complete search history.

Primary Examiner — Lauren D McVey

(74) *Attorney, Agent, or Firm* — Schwegman Lundberg & Woessner, P.A.

(57) **CLAIM**

The ornamental design for a label printer for a system for customizing hair dye formulation, as shown and described.

DESCRIPTION

FIG. 1 is a perspective view of a label printer for a system for customizing hair dye formulations;
FIG. 2 is a front elevation view thereof;
FIG. 3 is a rear elevation view thereof;
FIG. 4 is a first side elevation view thereof;
FIG. 5 is a second side elevation view thereof;
FIG. 6 is a top plan view thereof; and,
FIG. 7 is a bottom plan view thereof.

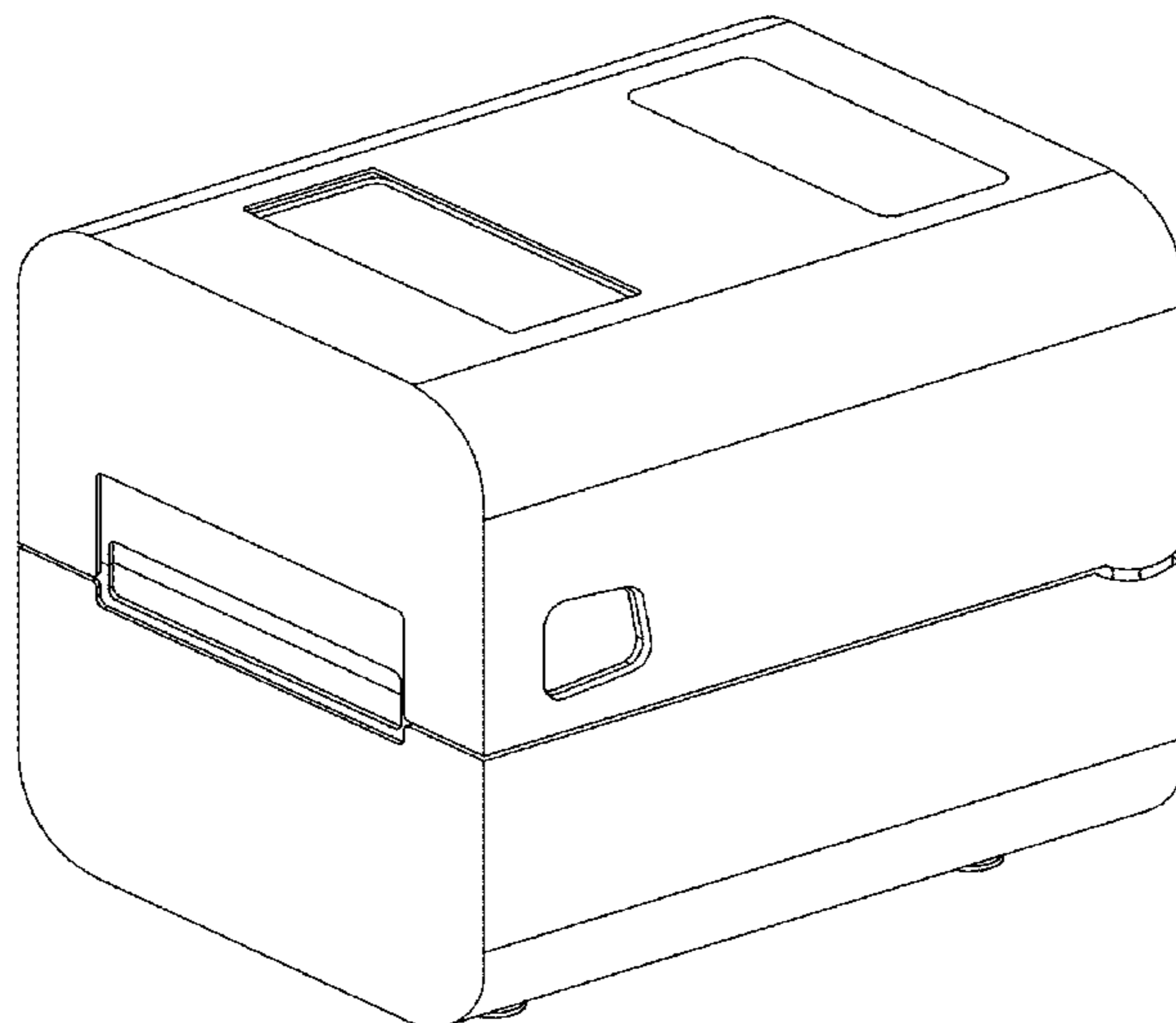
The broken lines depict portions of the label printer system for customizing hair dye formulations that form no part of the claimed design.

(56) **References Cited**

U.S. PATENT DOCUMENTS

D294,405 S 2/1988 Man
D310,003 S 8/1990 King

1 Claim, 7 Drawing Sheets



(56)

References Cited

U.S. PATENT DOCUMENTS

D561,391 S 2/2008 Takada
 7,563,045 B2* 7/2009 Nagata B41J 29/02
 400/692
 D710,642 S 8/2014 Broen et al.
 D736,552 S 8/2015 Shen et al.
 9,114,633 B2* 8/2015 Kuronuma B41J 3/4075
 D742,767 S 11/2015 Saga et al.
 D743,728 S 11/2015 Tomasson et al.
 D769,664 S 10/2016 Waldthausen
 D774,205 S 12/2016 Grace et al.
 D785,084 S* 4/2017 Azegami D18/19
 D799,588 S* 10/2017 Nanno D18/19
 D812,678 S* 3/2018 Ozawa D18/19
 D817,061 S 5/2018 Lissoni
 D821,601 S 6/2018 Henderson
 D829,277 S* 9/2018 Seki D18/50
 10,206,478 B1 2/2019 Macedo et al.
 D842,966 S 3/2019 Shin
 2005/0165705 A1 7/2005 Lauper et al.
 2010/0032466 A1* 2/2010 Nishimura B41J 3/4075
 226/1
 2010/0254854 A1 10/2010 Rich et al.
 2012/0048880 A1 3/2012 Damolaris
 2013/0123973 A1 5/2013 Saranow et al.
 2014/0002569 A1* 1/2014 Yuno B41J 3/4075
 347/218
 2014/0056632 A1* 2/2014 Murai B41J 11/66
 400/621
 2014/0060432 A1* 3/2014 Onodera B41J 11/008
 118/712
 2015/0231582 A1 8/2015 Schwartz
 2016/0011051 A1 1/2016 Conti et al.

2016/0289058 A1 10/2016 Foster et al.
 2016/0357196 A1 12/2016 Igarashi
 2017/0348983 A1* 12/2017 Suzuki B41J 3/4075
 2019/0009582 A1* 1/2019 Kanamura B41J 11/703
 2019/0039387 A1* 2/2019 Ogawa B41J 3/4075

FOREIGN PATENT DOCUMENTS

WO WO-2013180617 A1* 12/2013 B65C 9/1869
 WO WO-2018180124 A1* 10/2018 B41J 3/4075
 WO WO-2019161360 A1 8/2019

OTHER PUBLICATIONS

“European Application Serial No. 005631801, Office Action dated Sep. 17, 2018”, 7 pgs.
 “U.S. Appl. No. 29/639,744, Non Final Office Action dated May 23, 2019”, 10 pgs.
 “International Application Serial No. PCT/US2019/018488, International Search Report dated Jun. 20, 2019”, 4 pgs.
 “International Application Serial No. PCT/US2019/018488, Invitation to Pay Additional Fees and Partial Search Report dated Apr. 15, 2019”, 2 pgs.
 “International Application Serial No. PCT/US2019/018488, Written Opinion dated Jun. 20, 2019”, 9 pgs.
 “U.S. Appl. No. 29/639,744, Response filed Aug. 8, 2019 to Non-Final Office Action dated May 23, 2019”, 7 pgs.
 “U.S. Appl. No. 29/639,744, Final Office Action dated Dec. 10, 2019”, 7 pgs.
 “U.S. Appl. No. 29/639,744, Response filed Feb. 7, 2020 to Final Office Action dated Dec. 10, 2019”.

* cited by examiner

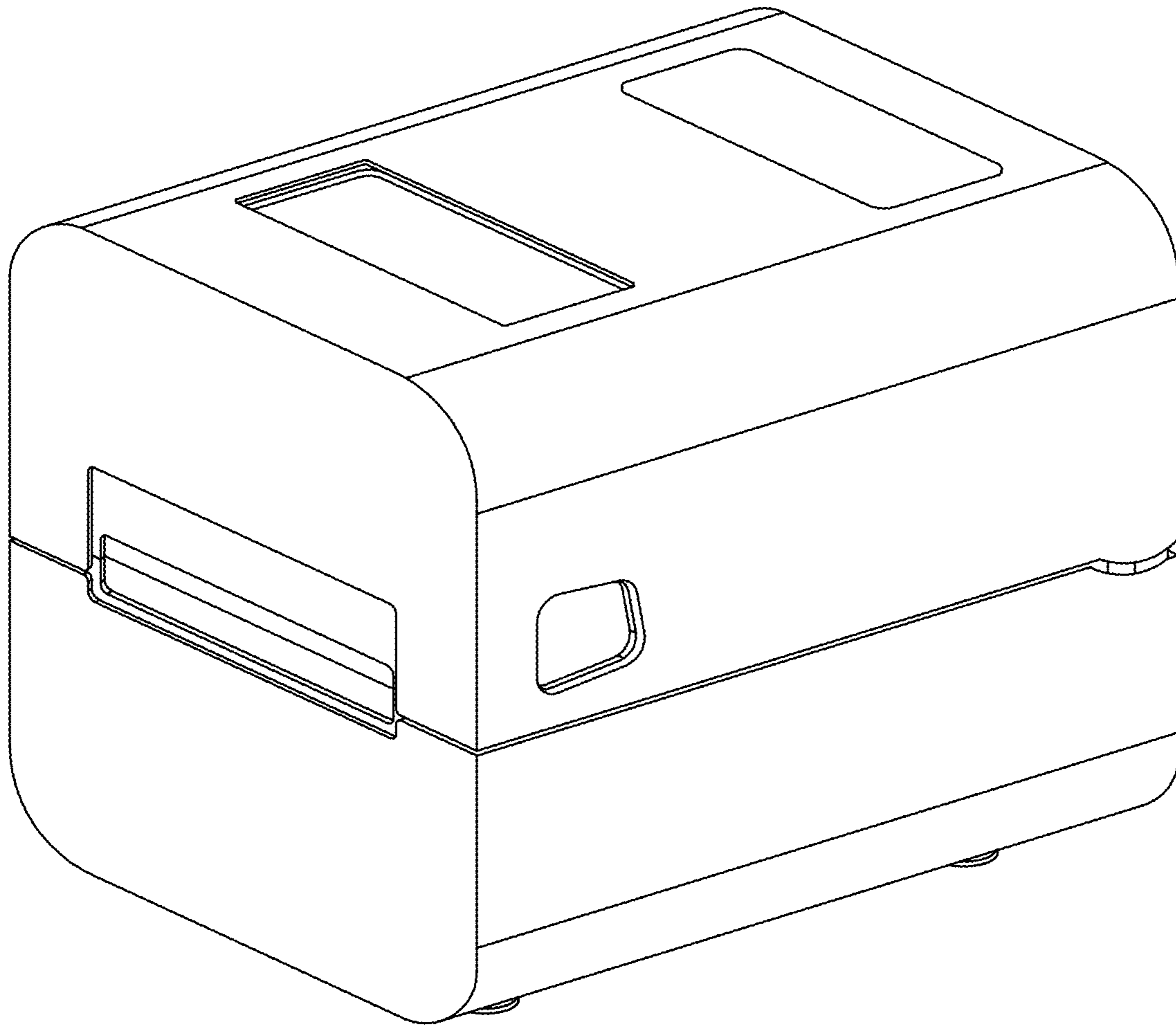


FIG. 1

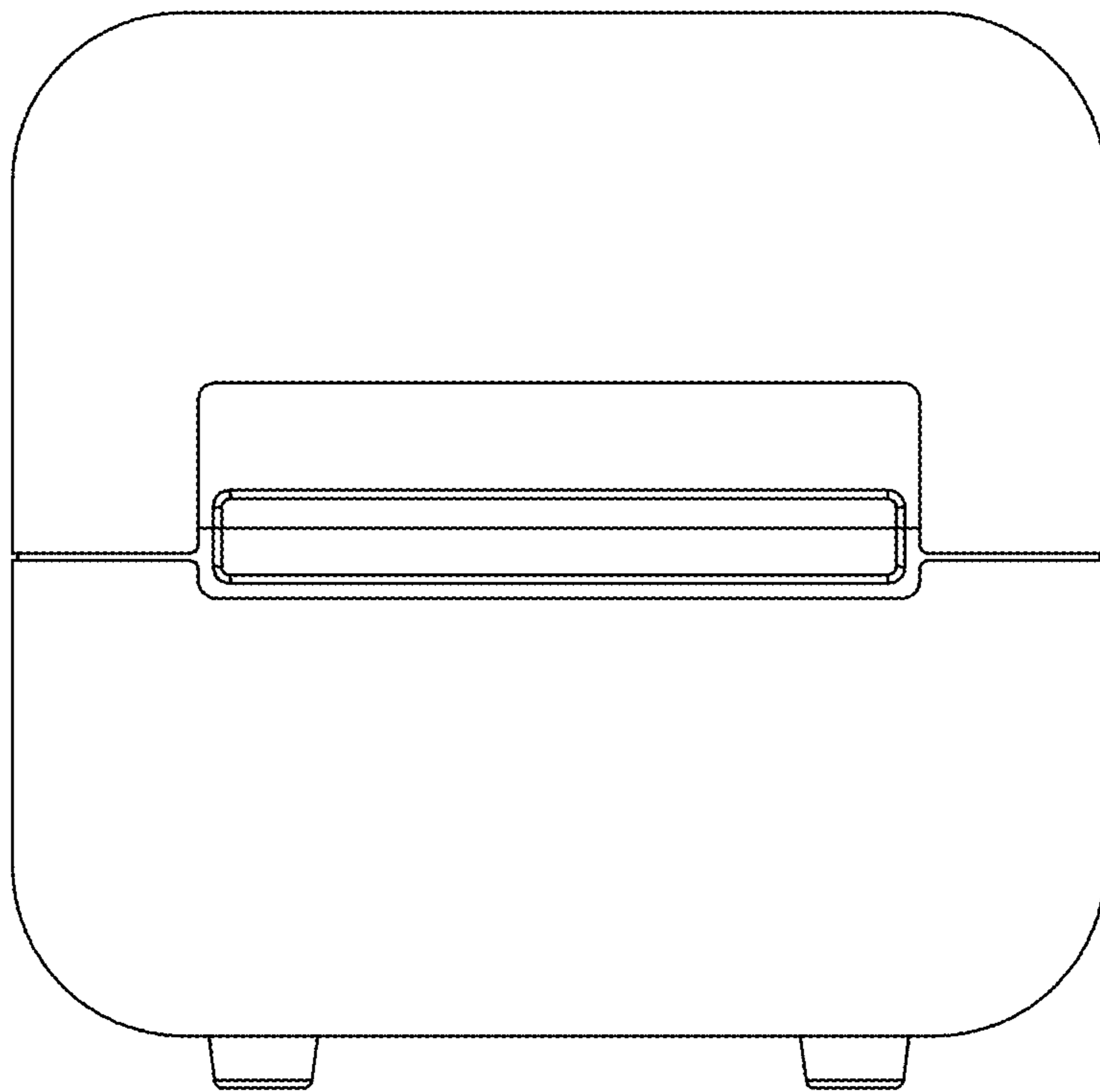


FIG. 2

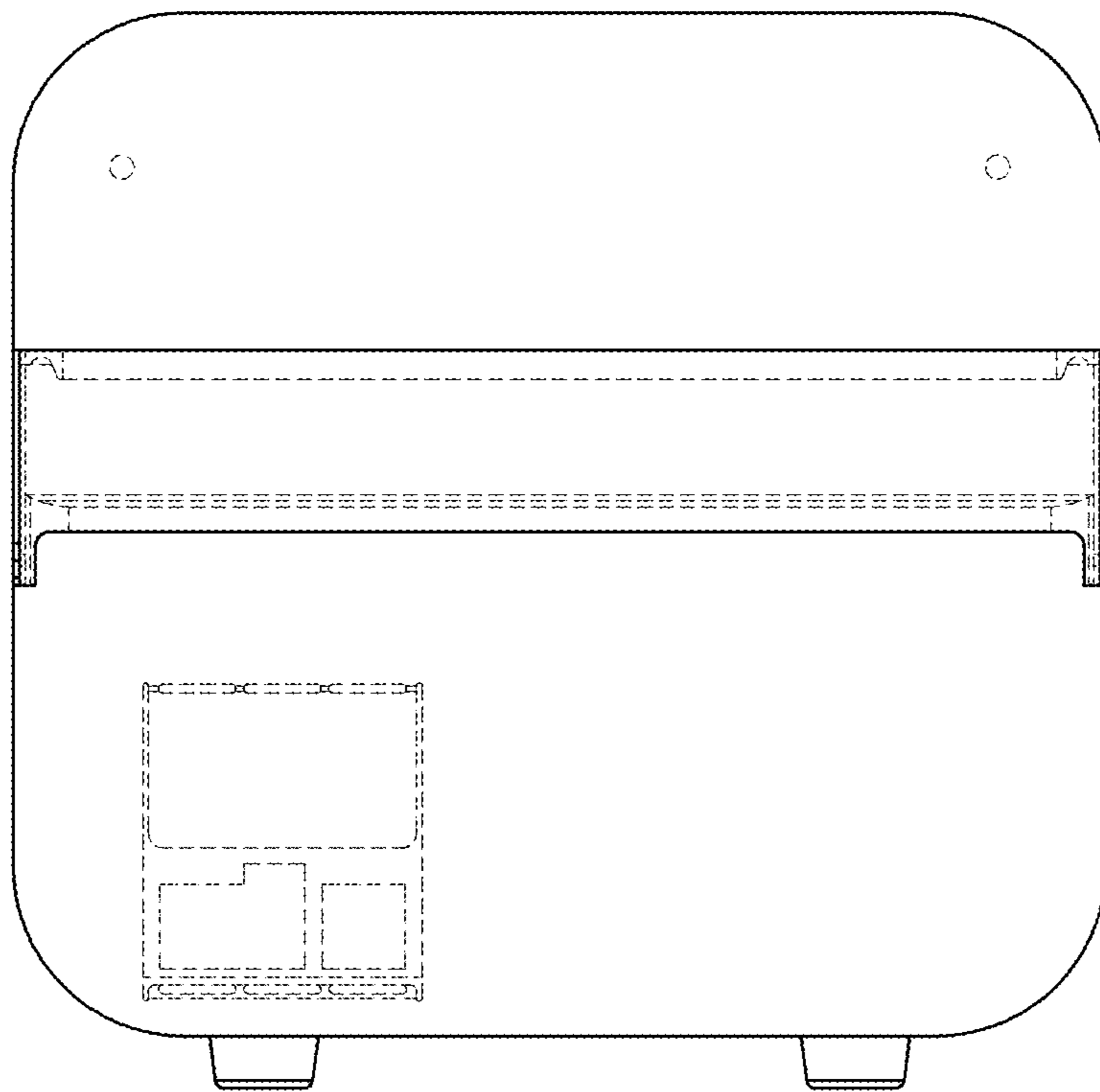


FIG. 3

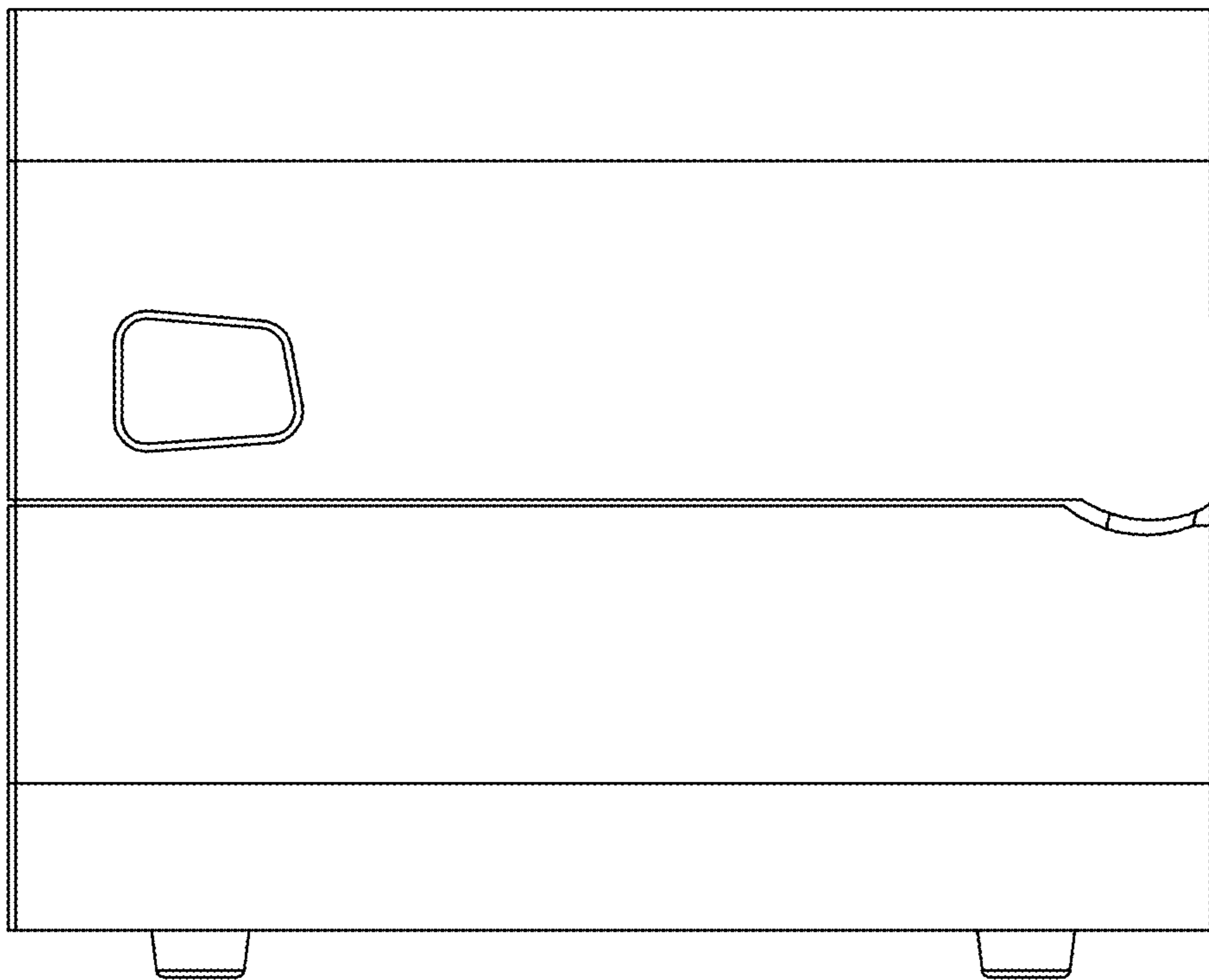


FIG. 4

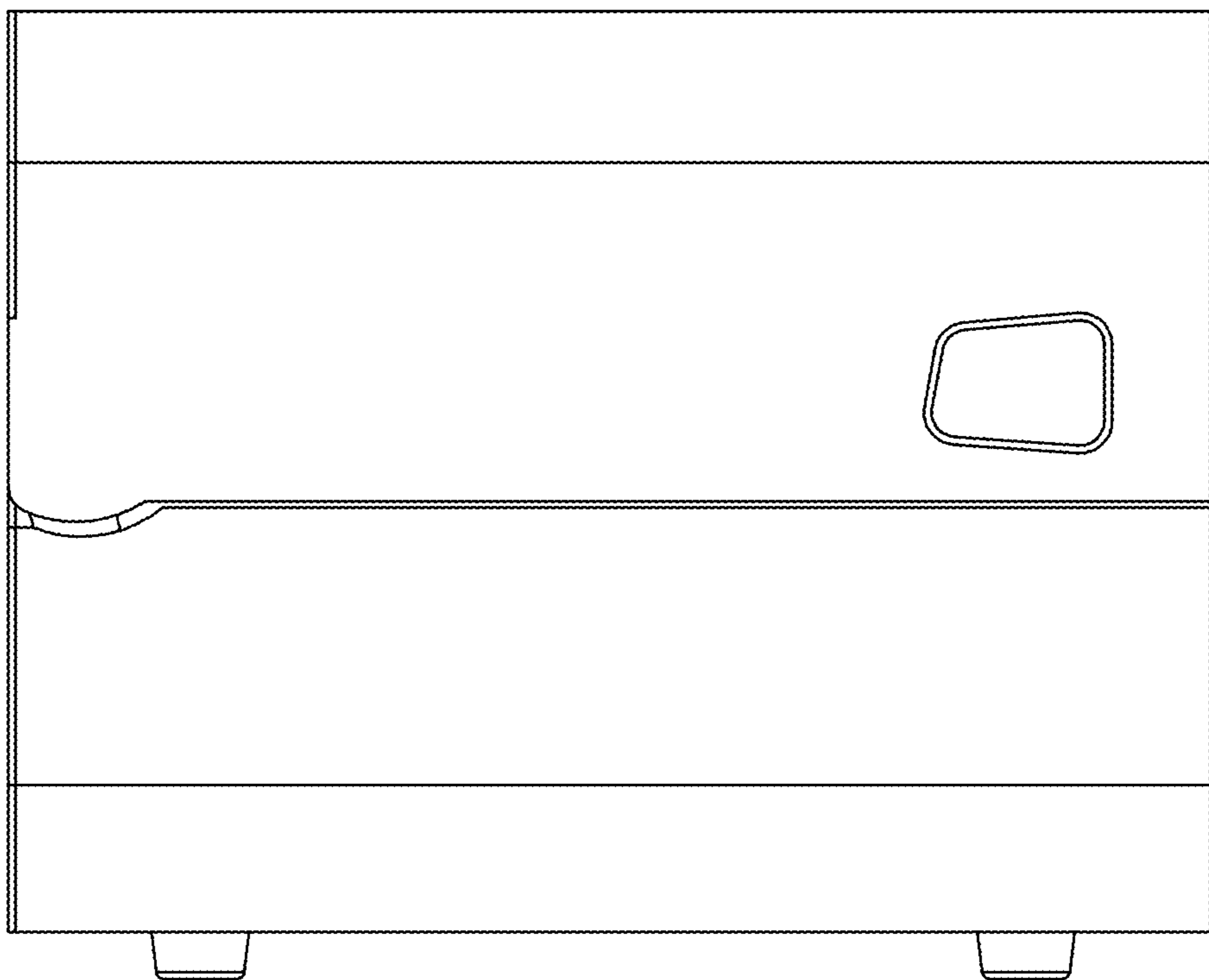


FIG. 5

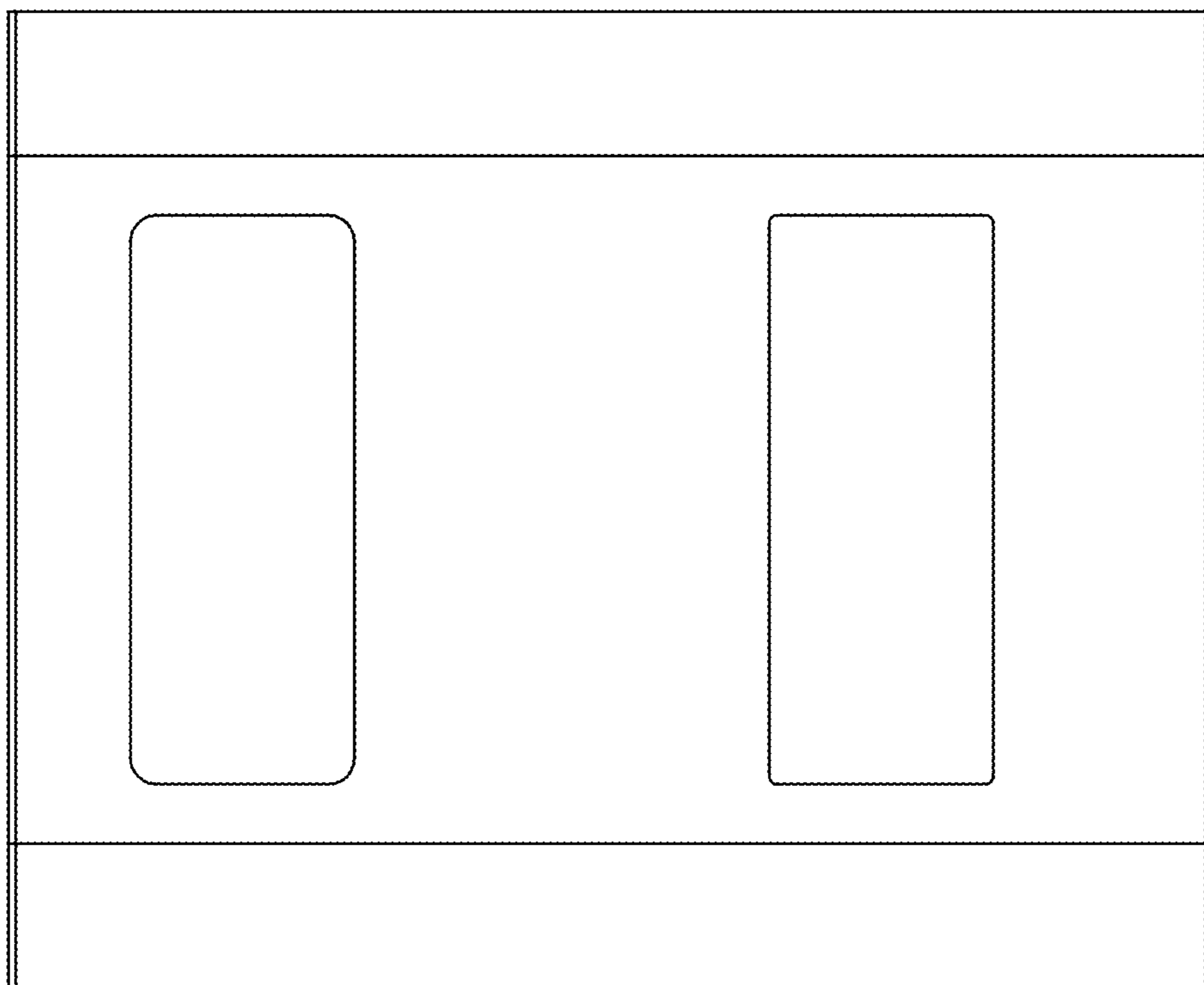


FIG. 6

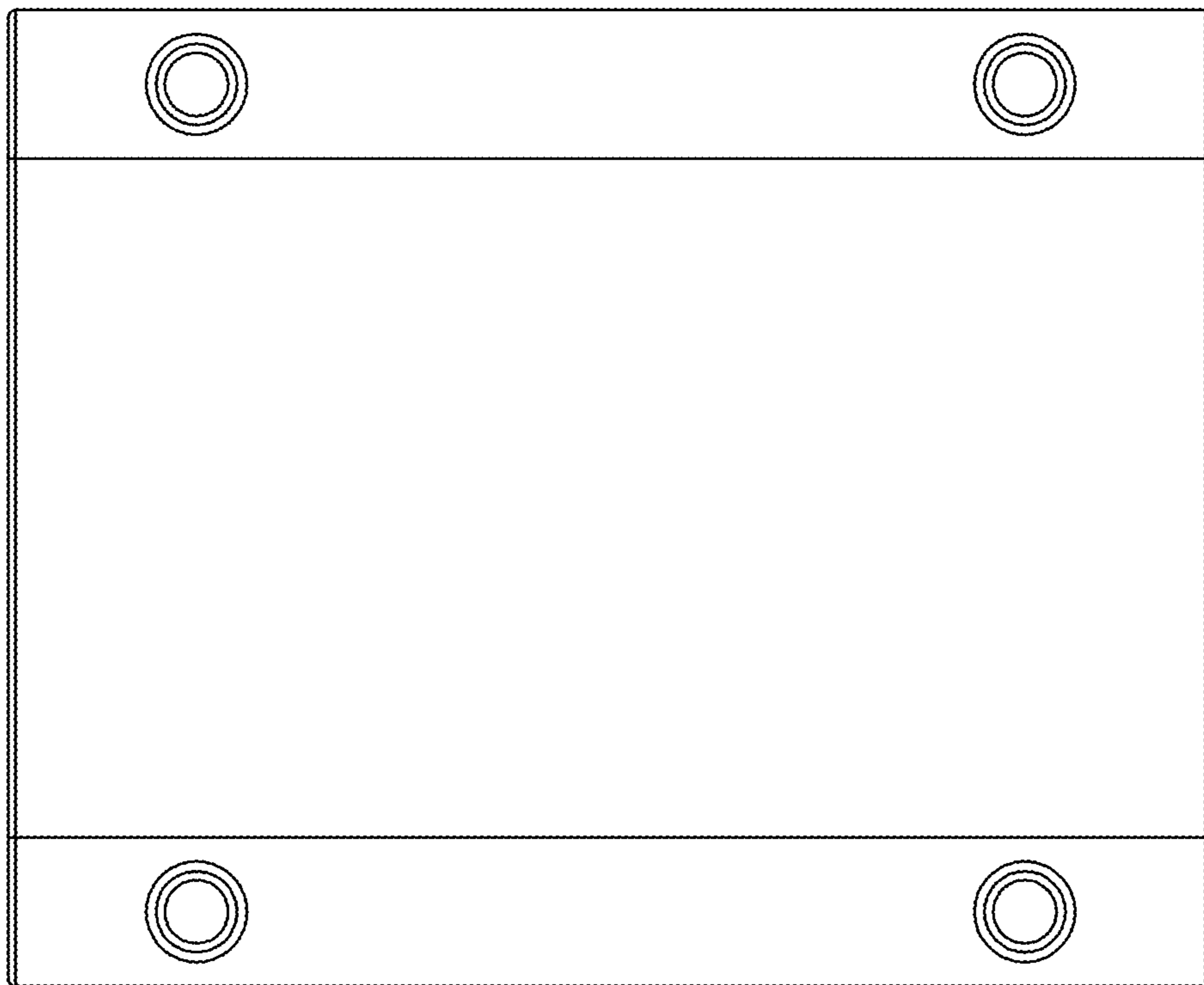


FIG. 7