



US00D894263S

(12) **United States Design Patent**  
**Midorikawa**

(10) **Patent No.:** **US D894,263 S**

(45) **Date of Patent:** **\*\* Aug. 25, 2020**

(54) **POINT-OF-SALE TERMINAL**

(71) Applicant: **NEC Platforms, Ltd.**, Kawasaki-shi,  
Kanagawa (JP)

(72) Inventor: **Kiyoshi Midorikawa**, Kawasaki (JP)

(73) Assignee: **NEC PLATFORMS, LTD.**,  
Kawasaki-Shi, Kanagawa (JP)

(\*\*) Term: **15 Years**

(21) Appl. No.: **29/685,503**

(22) Filed: **Mar. 28, 2019**

(30) **Foreign Application Priority Data**

Sep. 28, 2018 (JP) ..... 2018-021386  
Sep. 28, 2018 (JP) ..... 2018-021388

(51) **LOC (12) Cl.** ..... **18-01**

(52) **U.S. Cl.**  
USPC ..... **D18/4.5**

(58) **Field of Classification Search**

USPC .... D18/4.4, 4.5, 4.6, 2, 11, 12, 12.3, 50, 14,  
D18/19-21, 54, 99, 4.1, 4.3; D14/300,  
D14/307, 314, 328, 332-340, 356, 383,  
D14/385, 386, 434, 447, 451, 453, 457,  
D14/496, 507, 509, 510, 168, 299, 900,  
D14/902; D10/46, 61, 62, 70, 104.1,  
(Continued)

(56) **References Cited**

**U.S. PATENT DOCUMENTS**

D294,943 S \* 3/1988 Day ..... D14/447  
D360,196 S \* 7/1995 Cox ..... D18/4.5  
D389,813 S \* 1/1998 Itoh ..... D18/4.5  
(Continued)

(74) *Attorney, Agent, or Firm* — Buchanan Ingersoll &  
Rooney PC

(57) **CLAIM**

The ornamental design for a point-of-sale terminal, as  
shown and described.

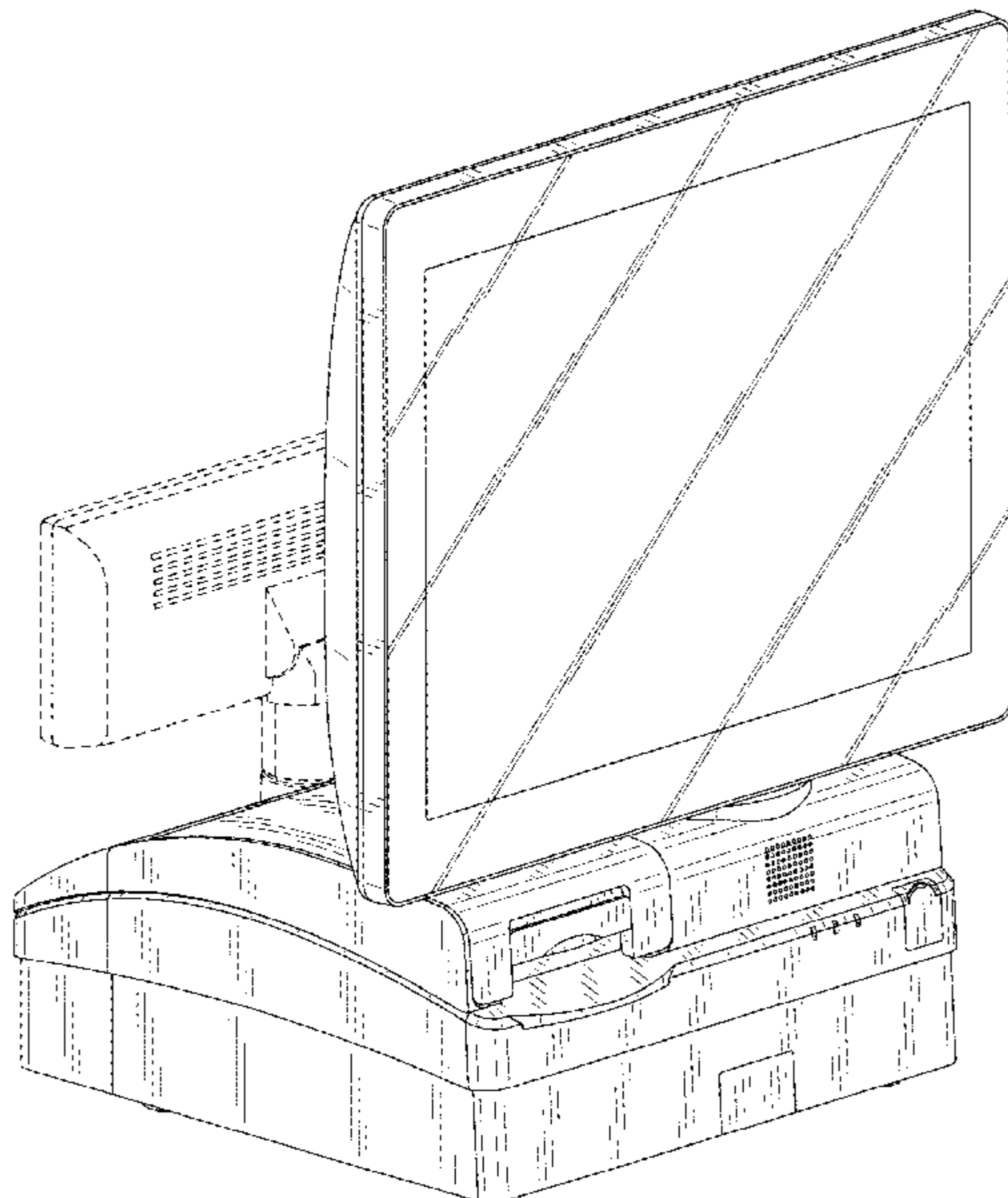
**DESCRIPTION**

FIG. 1 is a front, left side, top perspective view of the first  
embodiment of a point-of-sale terminal showing my new  
design;  
FIG. 2 is a front elevational view of the first embodiment  
thereof;  
FIG. 3 is a rear elevational view of the first embodiment  
thereof;  
FIG. 4 is a left side view of the first embodiment thereof;  
FIG. 5 is a right side view of the first embodiment thereof;  
FIG. 6 is a top plan view of the first embodiment thereof;  
FIG. 7 is a bottom plan view of the first embodiment thereof;  
FIG. 8 is a reduced-scale front, left side, top perspective  
view of the second embodiment of a point-of-sale terminal  
showing my new design;  
FIG. 9 is a front elevational view of the second embodiment  
thereof;  
FIG. 10 is a rear elevational view of the second embodiment  
thereof;  
FIG. 11 is a left side view of the second embodiment thereof;  
FIG. 12 is a right side view of the second embodiment  
thereof;  
FIG. 13 is a top plan view of the second embodiment  
thereof; and,  
FIG. 14 is a bottom plan view of the second embodiment  
thereof.

The broken lines depict portions of the point-of-sale termi-  
nal that form no part of the claimed design.  
The unshaded surface on the bottom of the point-of-sale  
terminal forms no part of the claimed design.

*Primary Examiner* — Marie D. Fast Horse

**1 Claim, 14 Drawing Sheets**





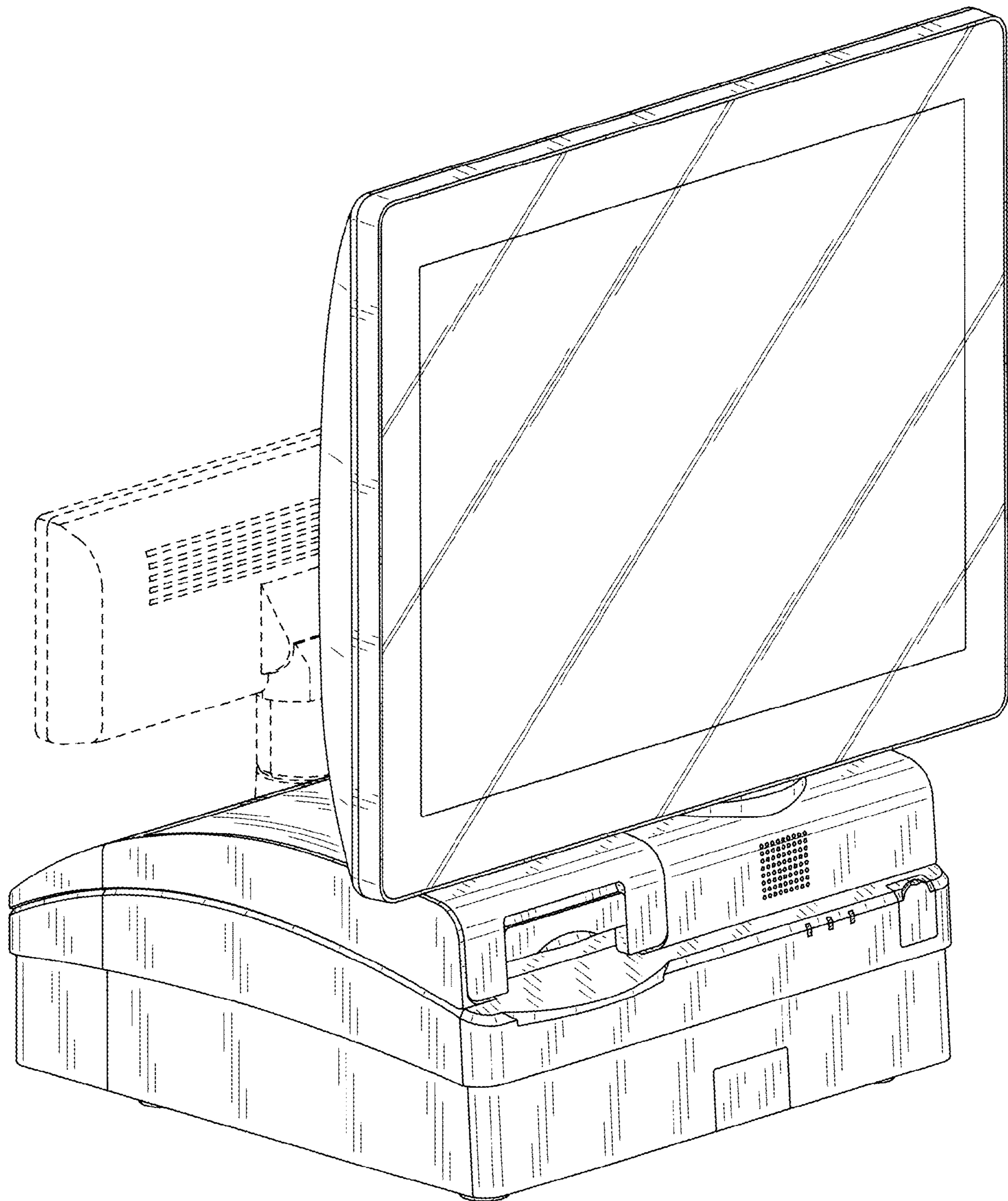


FIG. 1

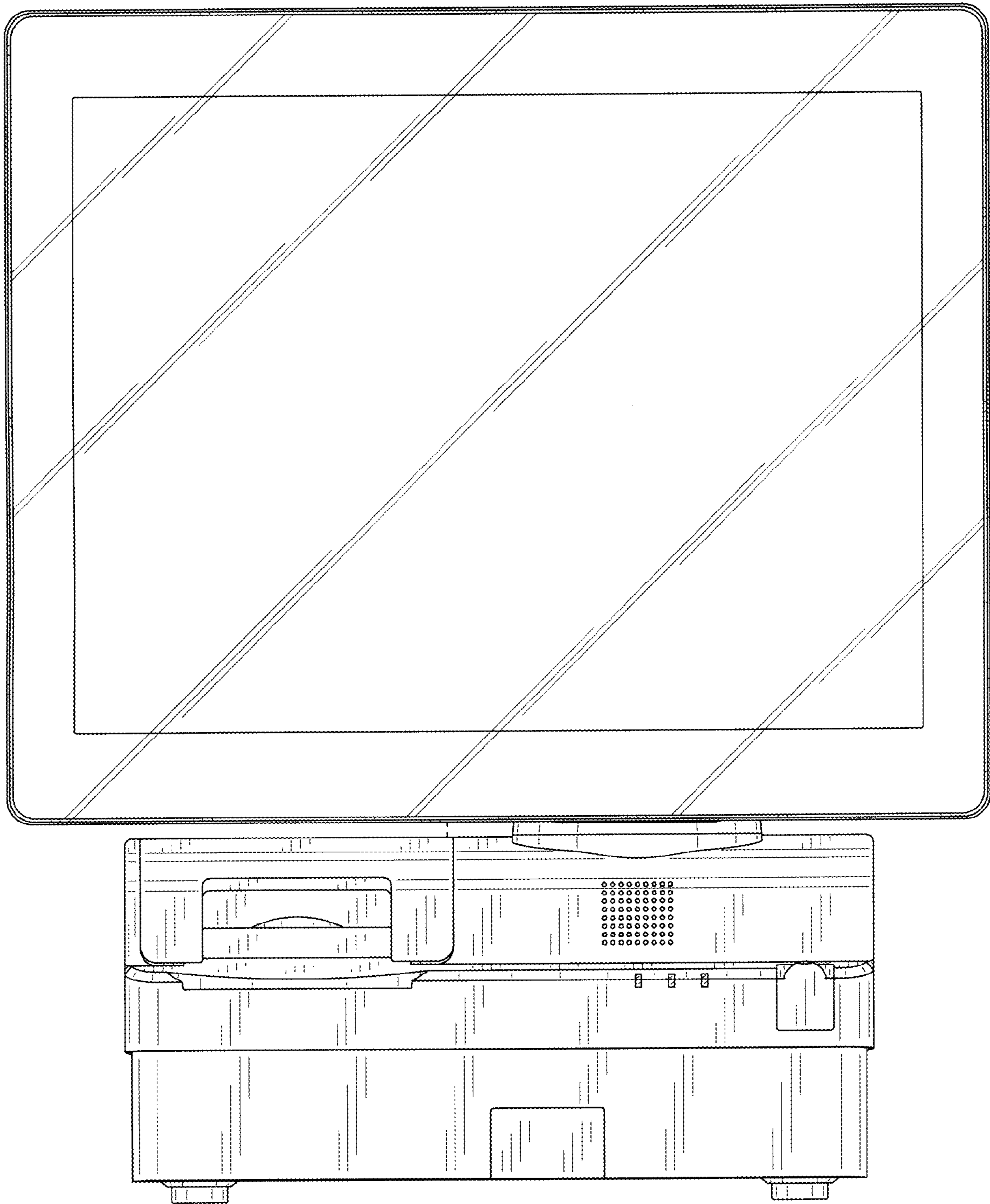


FIG. 2

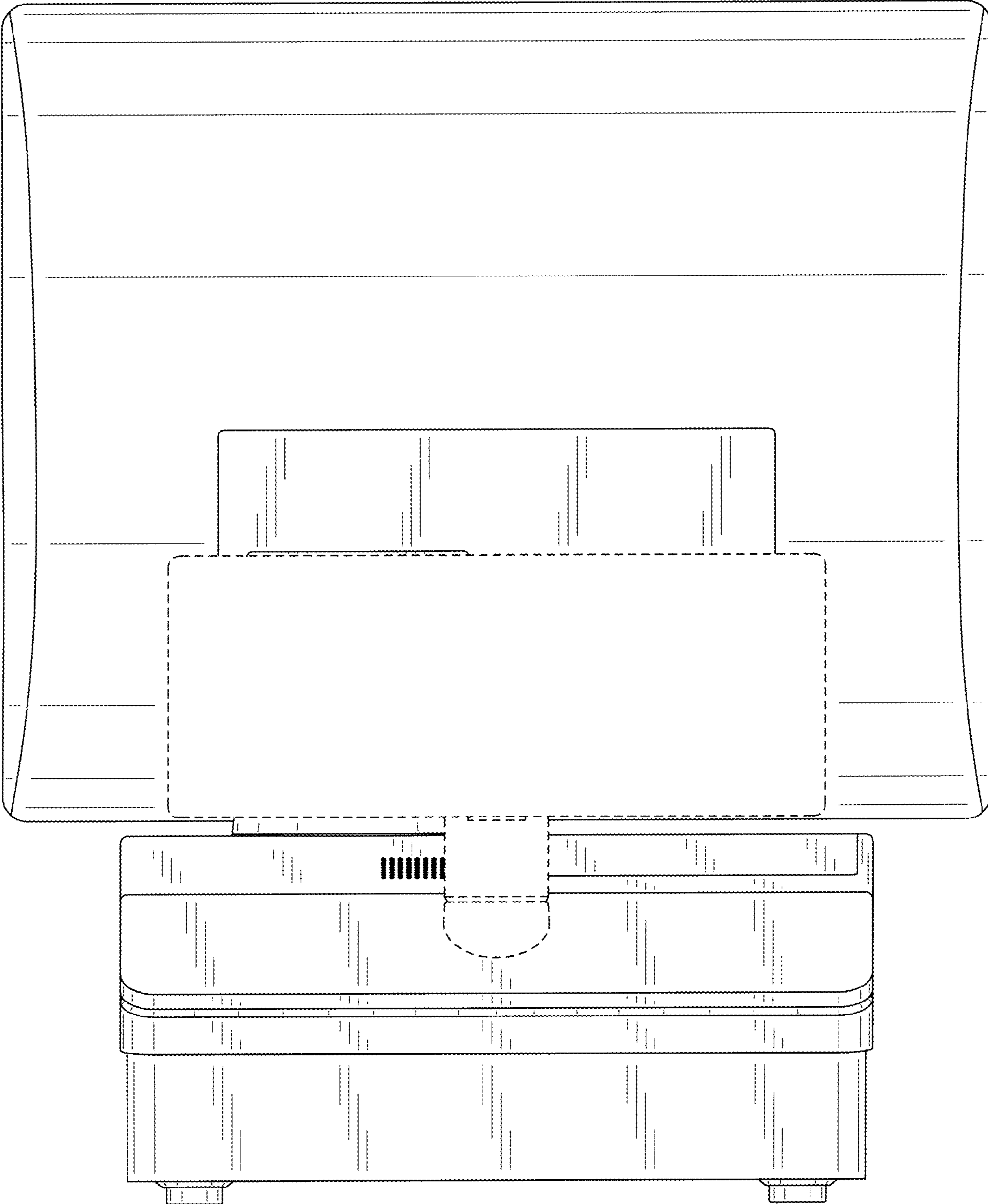


FIG. 3

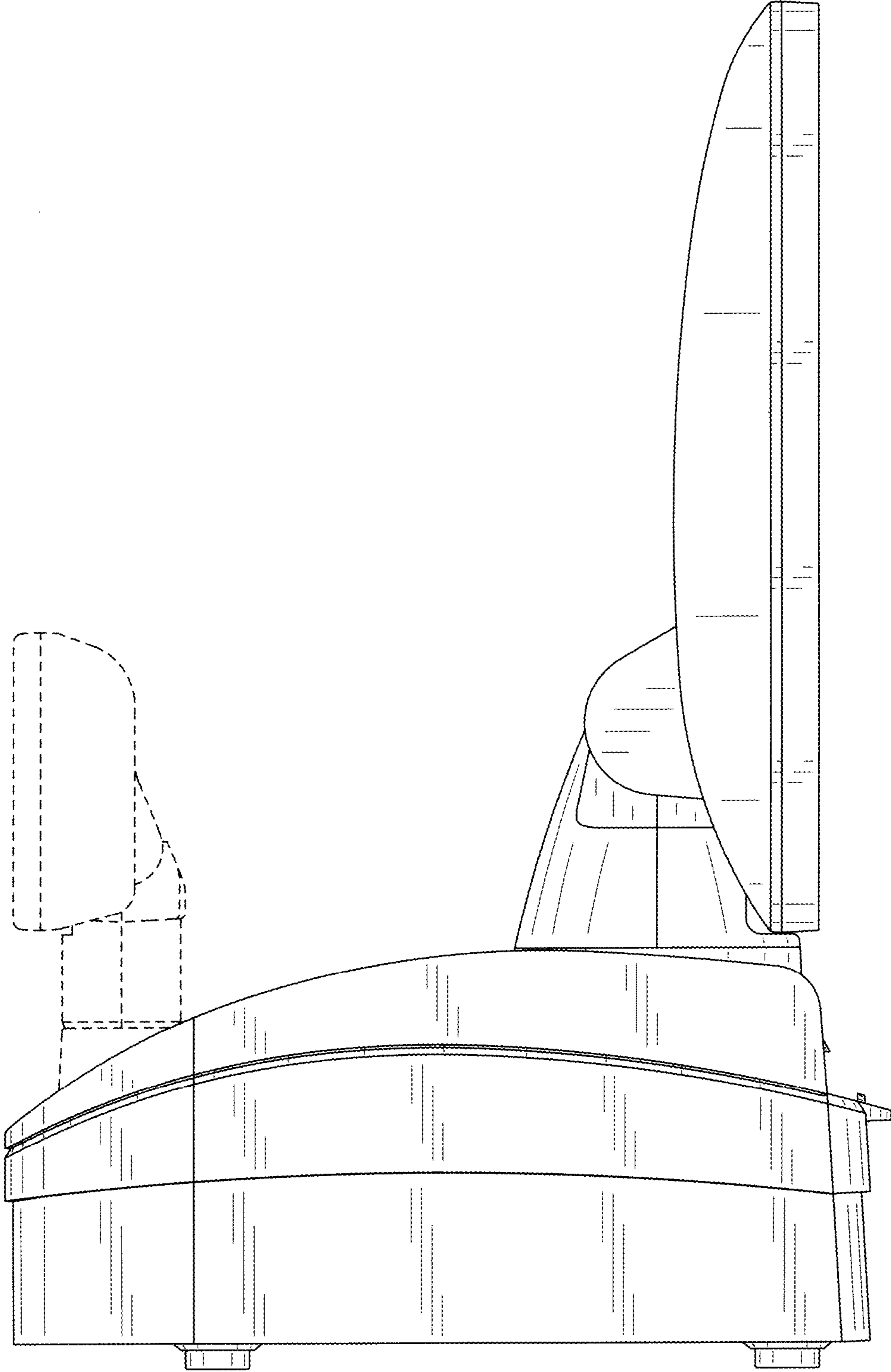


FIG. 4

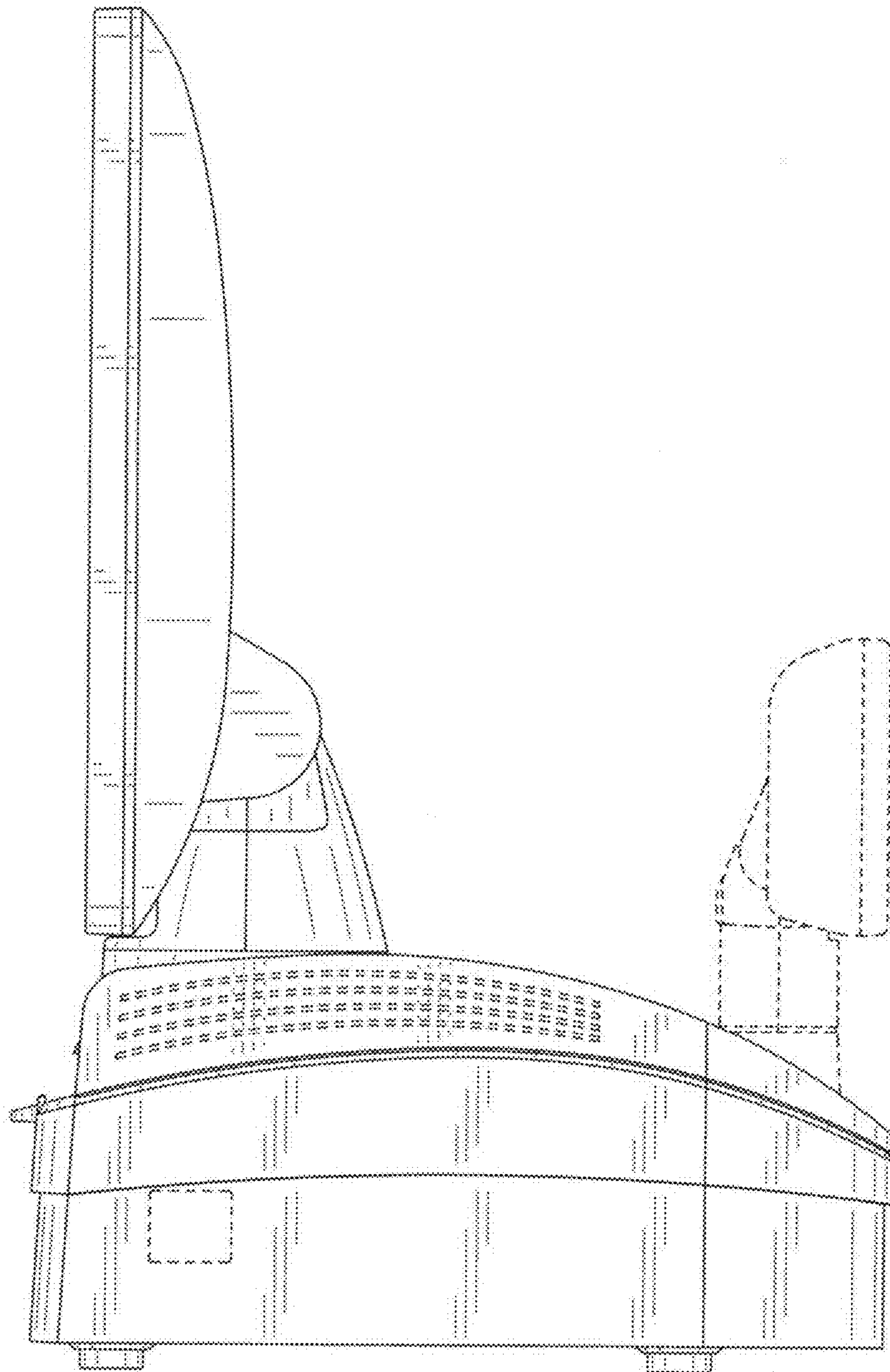


FIG. 5

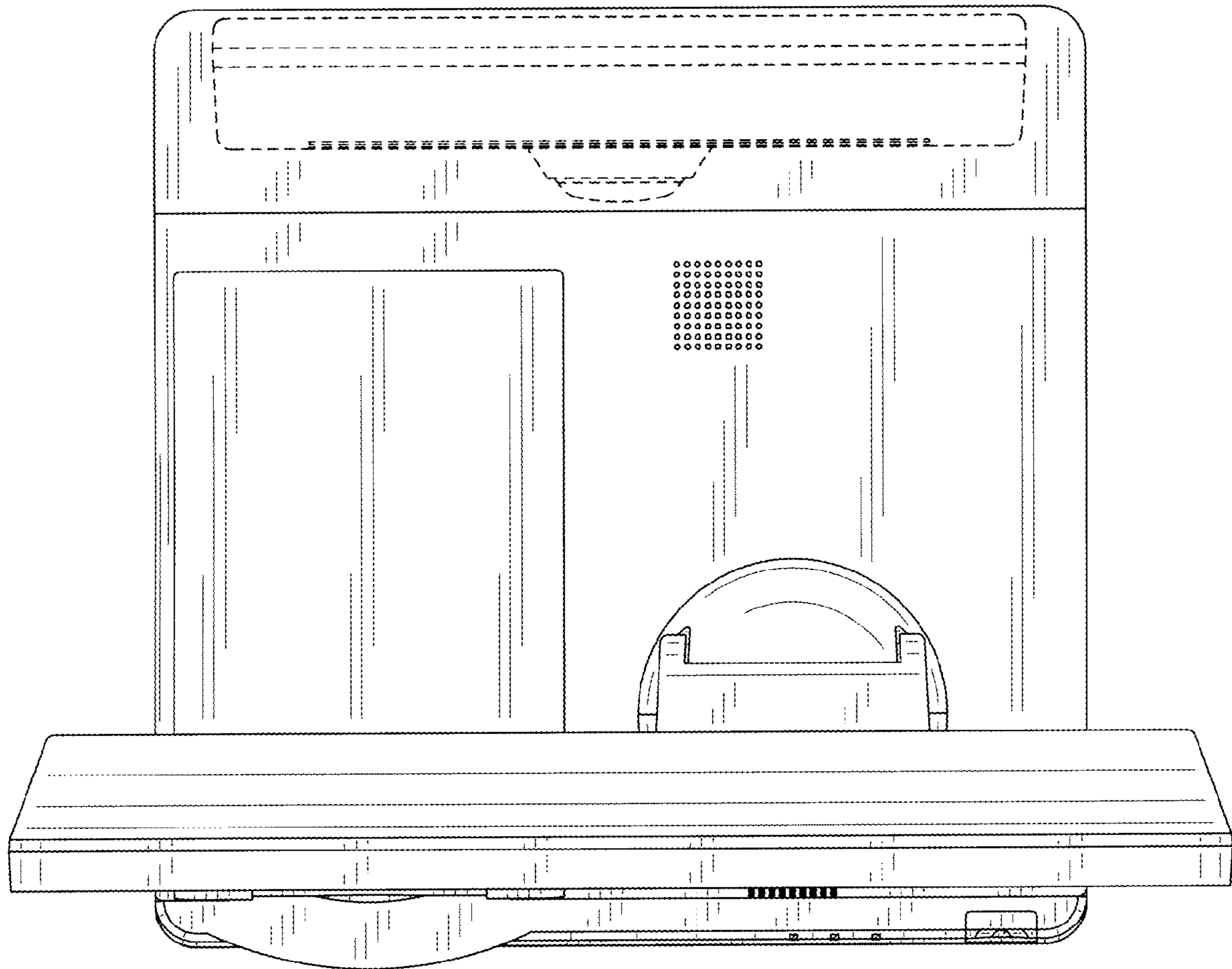


FIG. 6



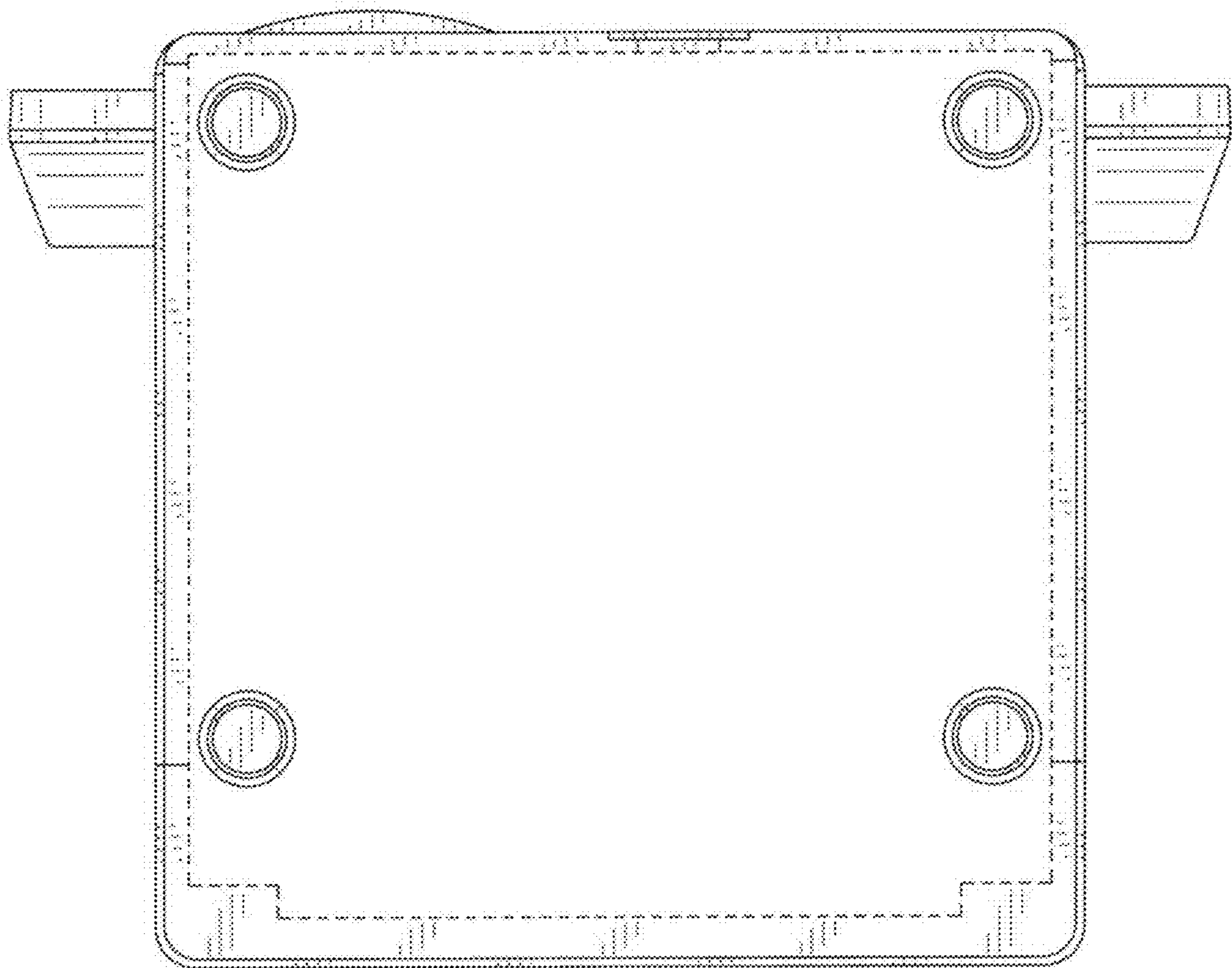


FIG. 7

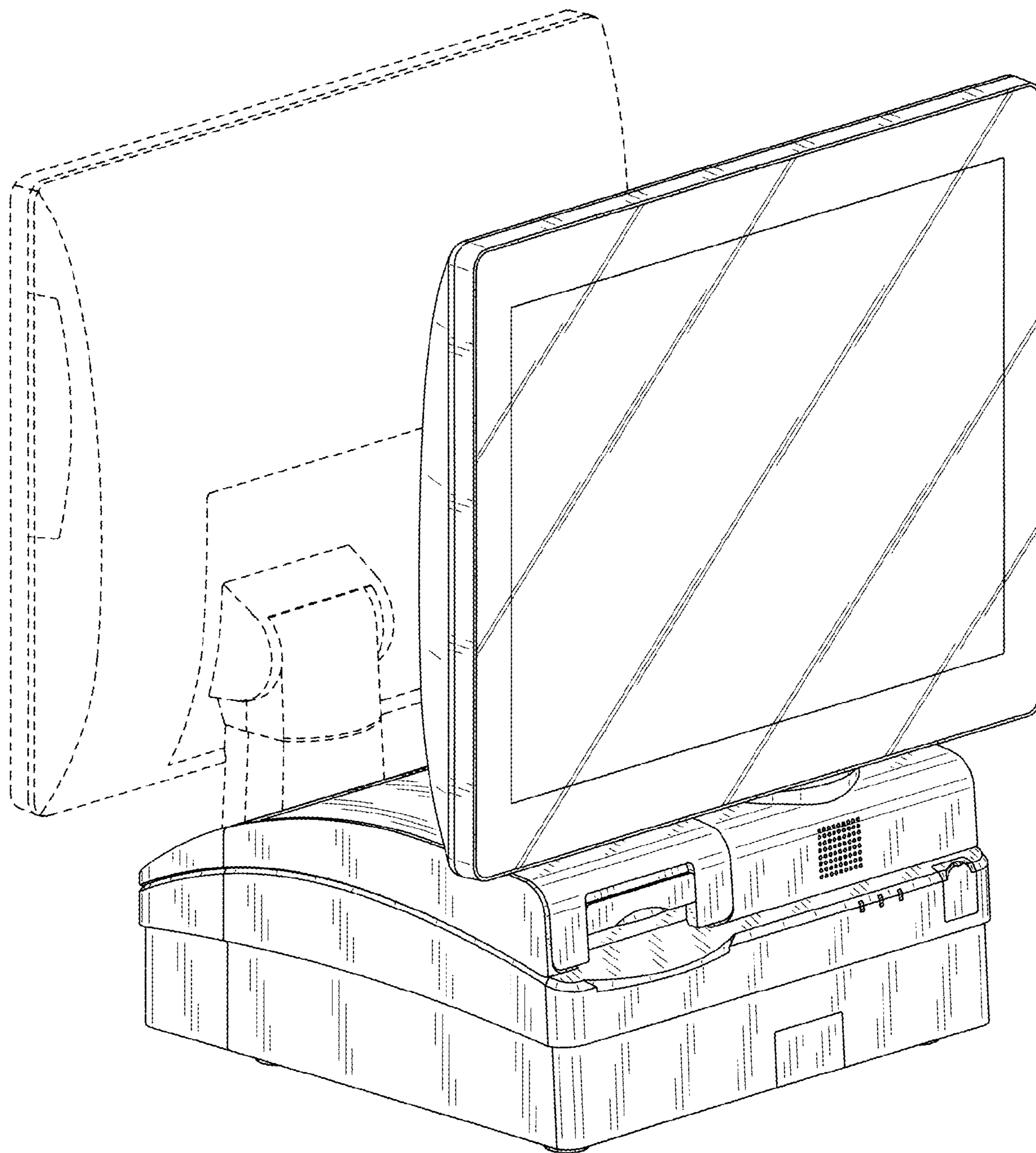


FIG. 8

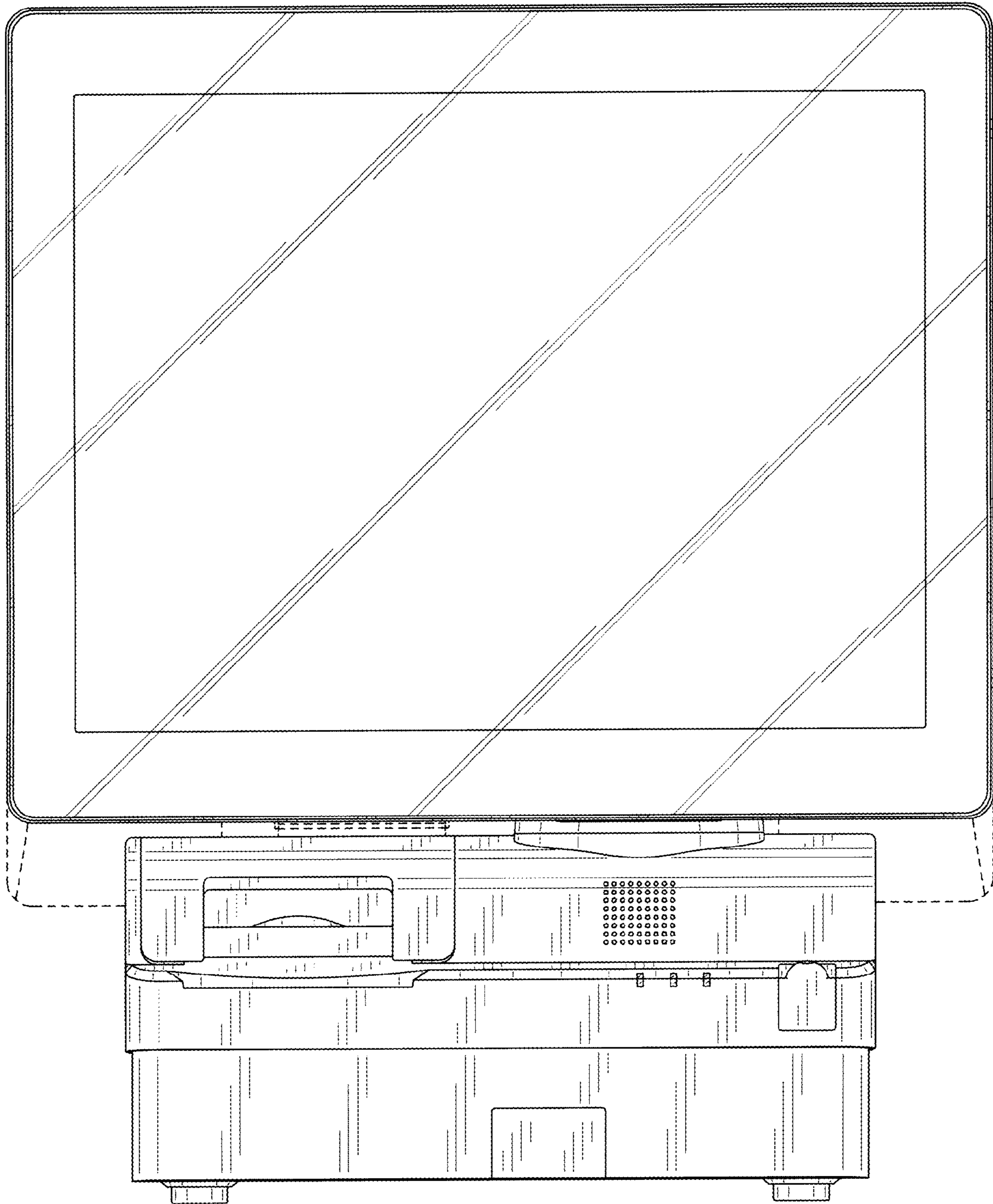


FIG. 9

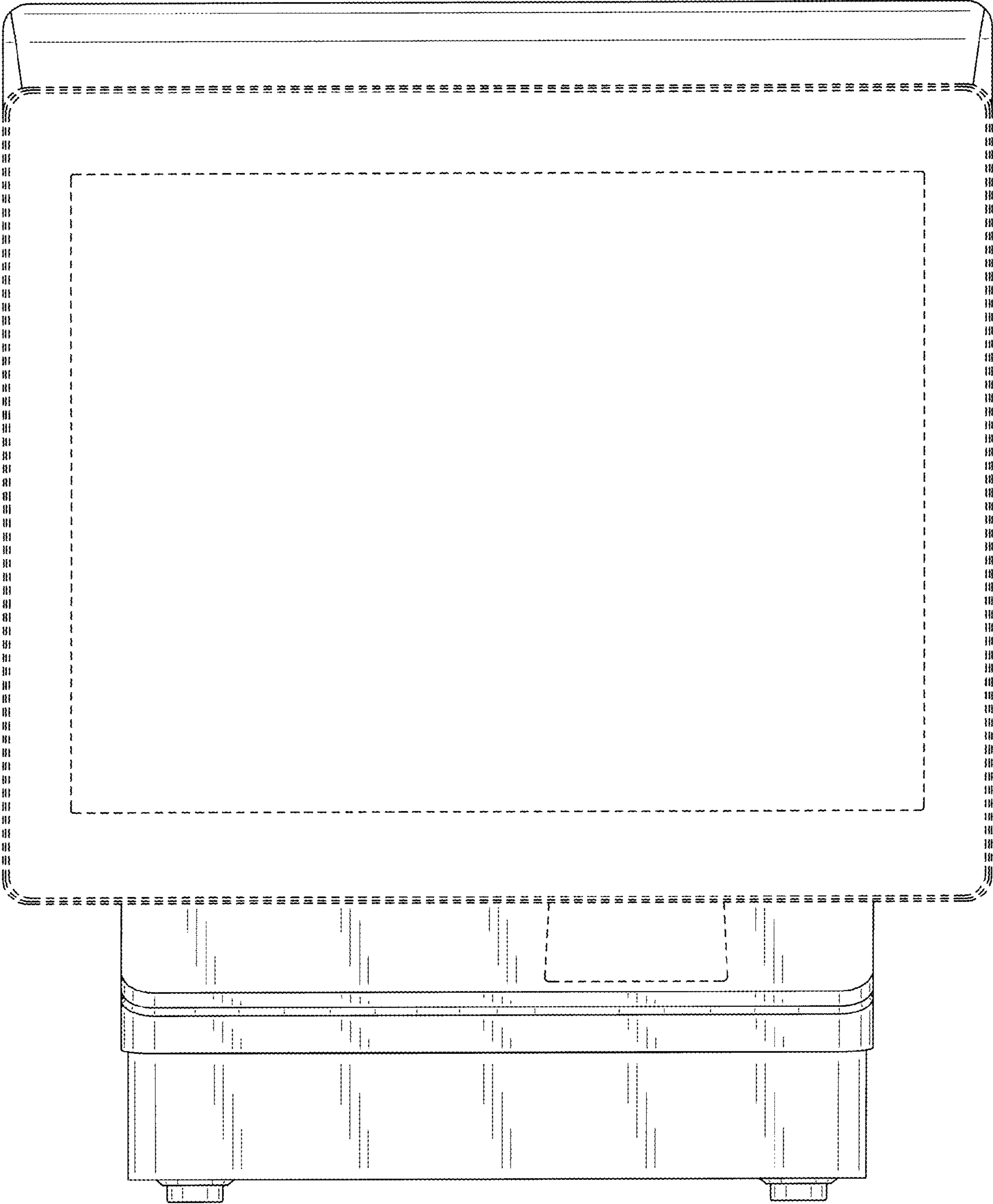


FIG. 10

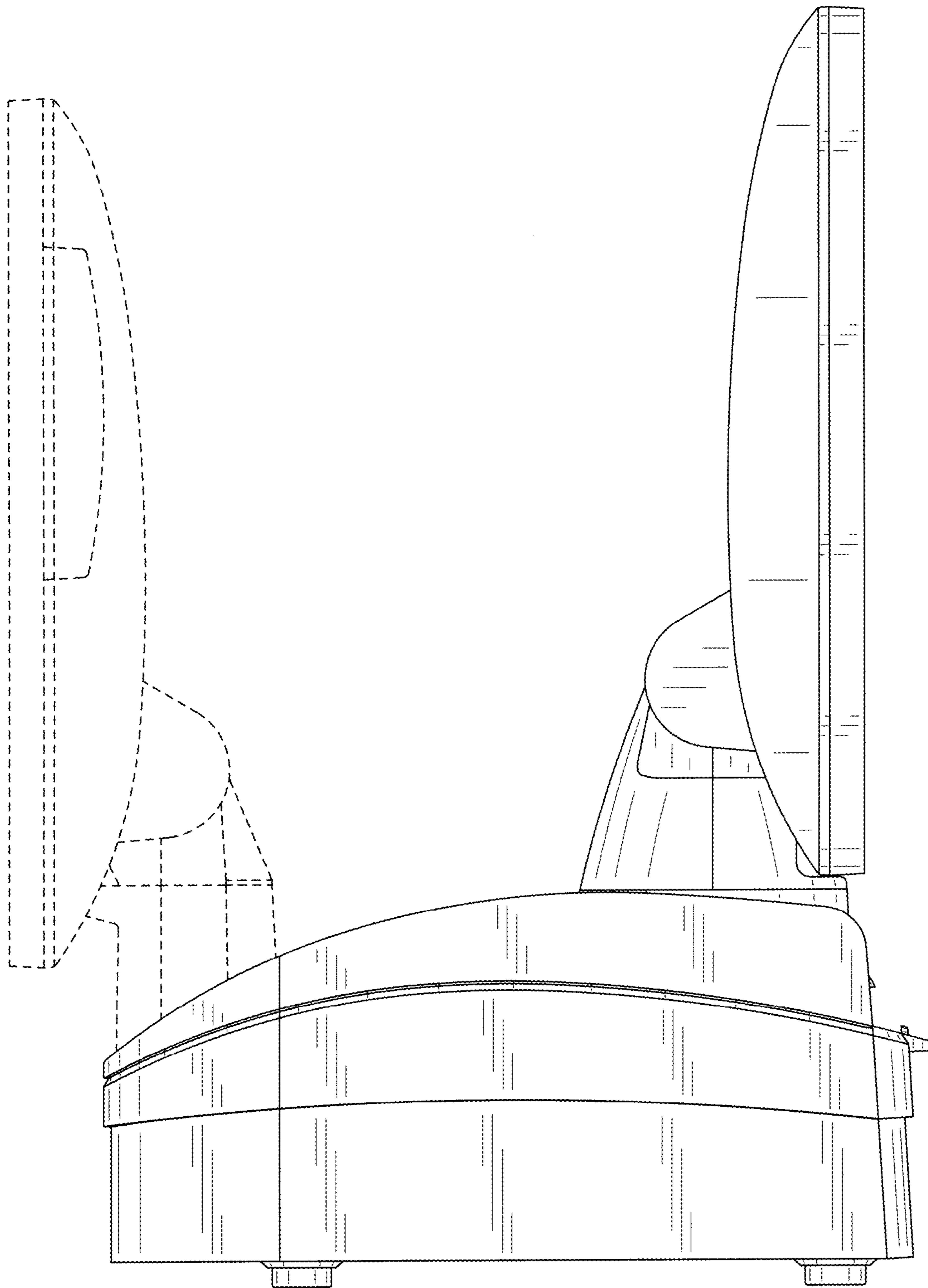


FIG. 11

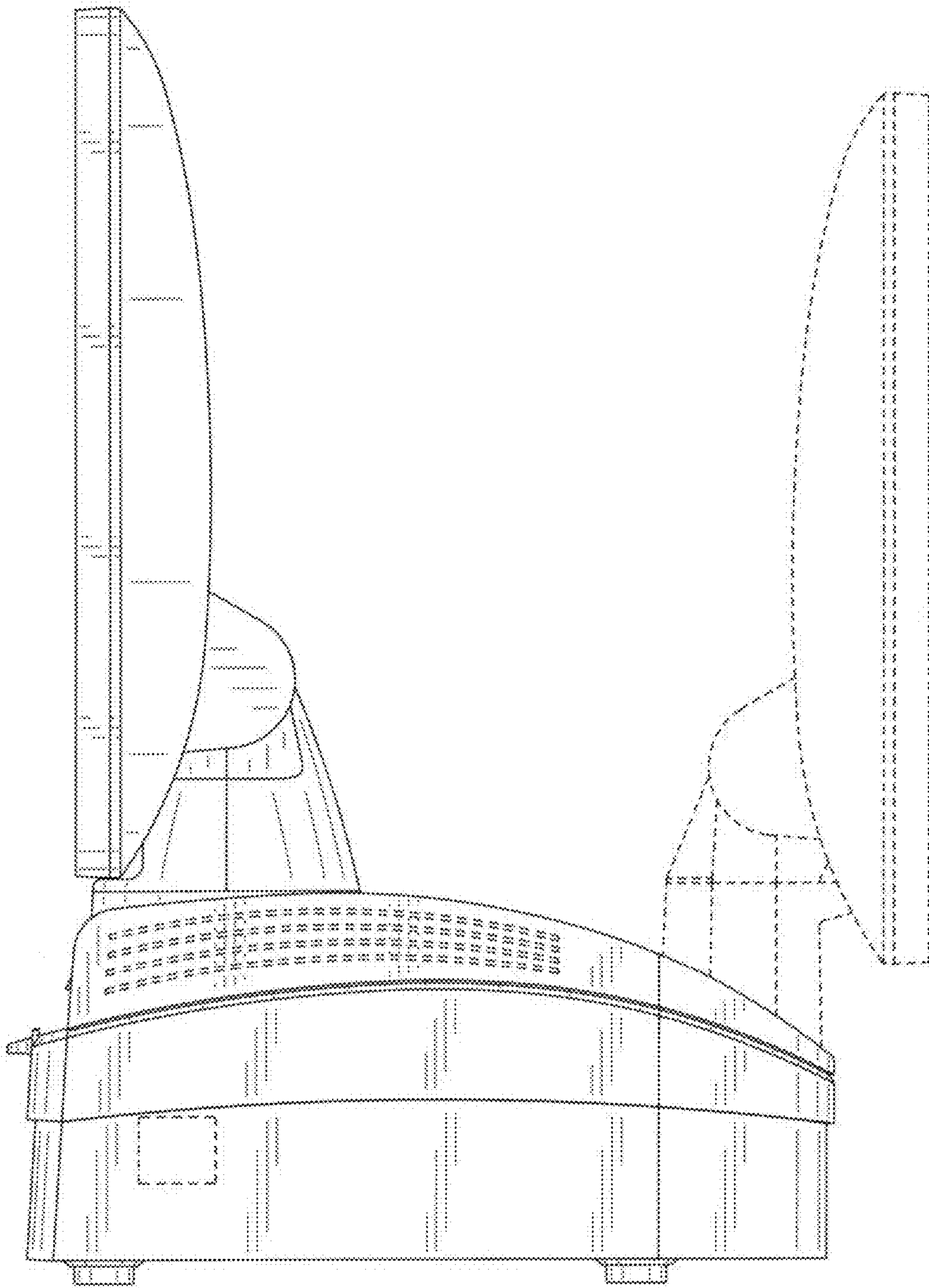


FIG. 12

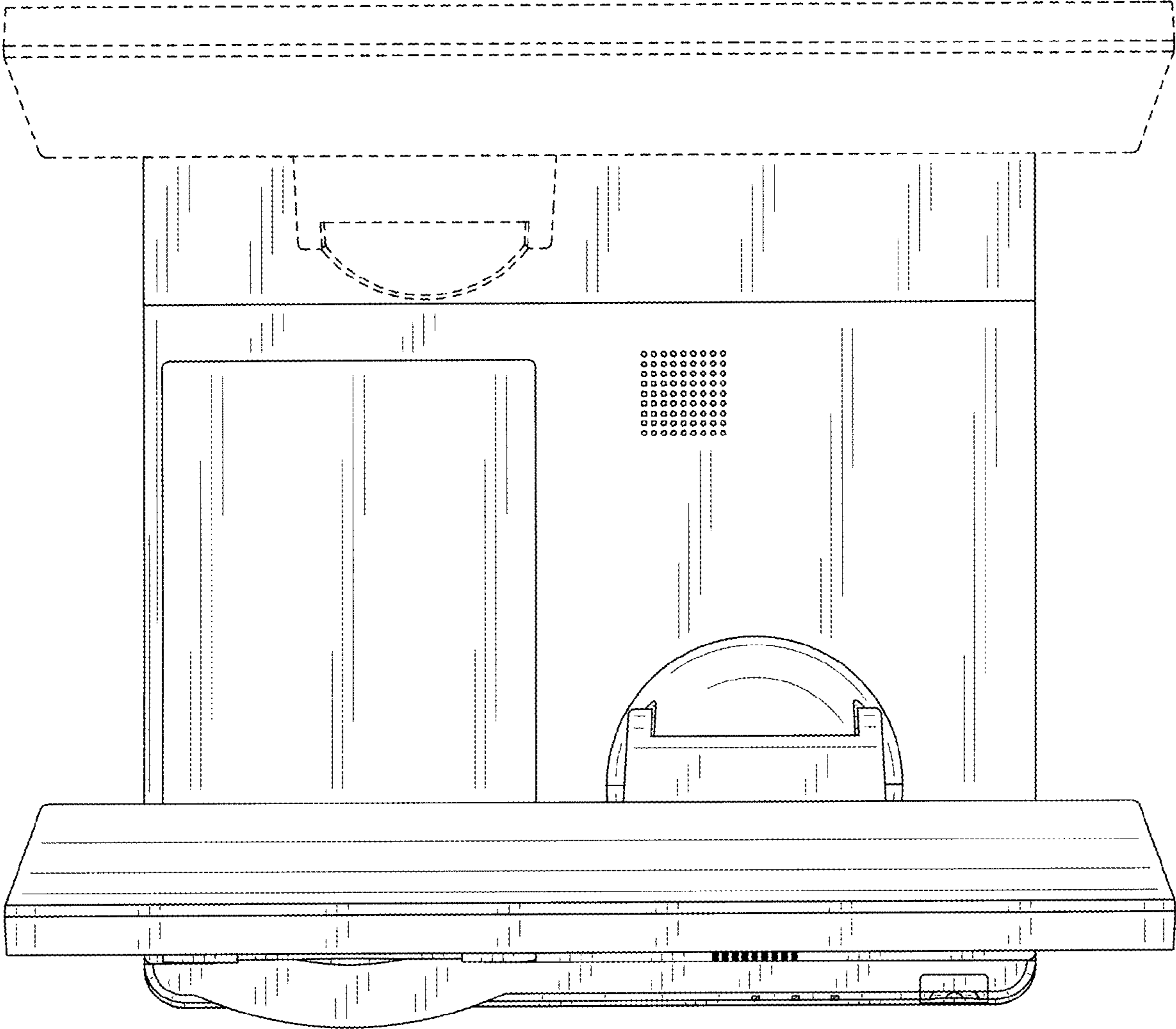


FIG. 13

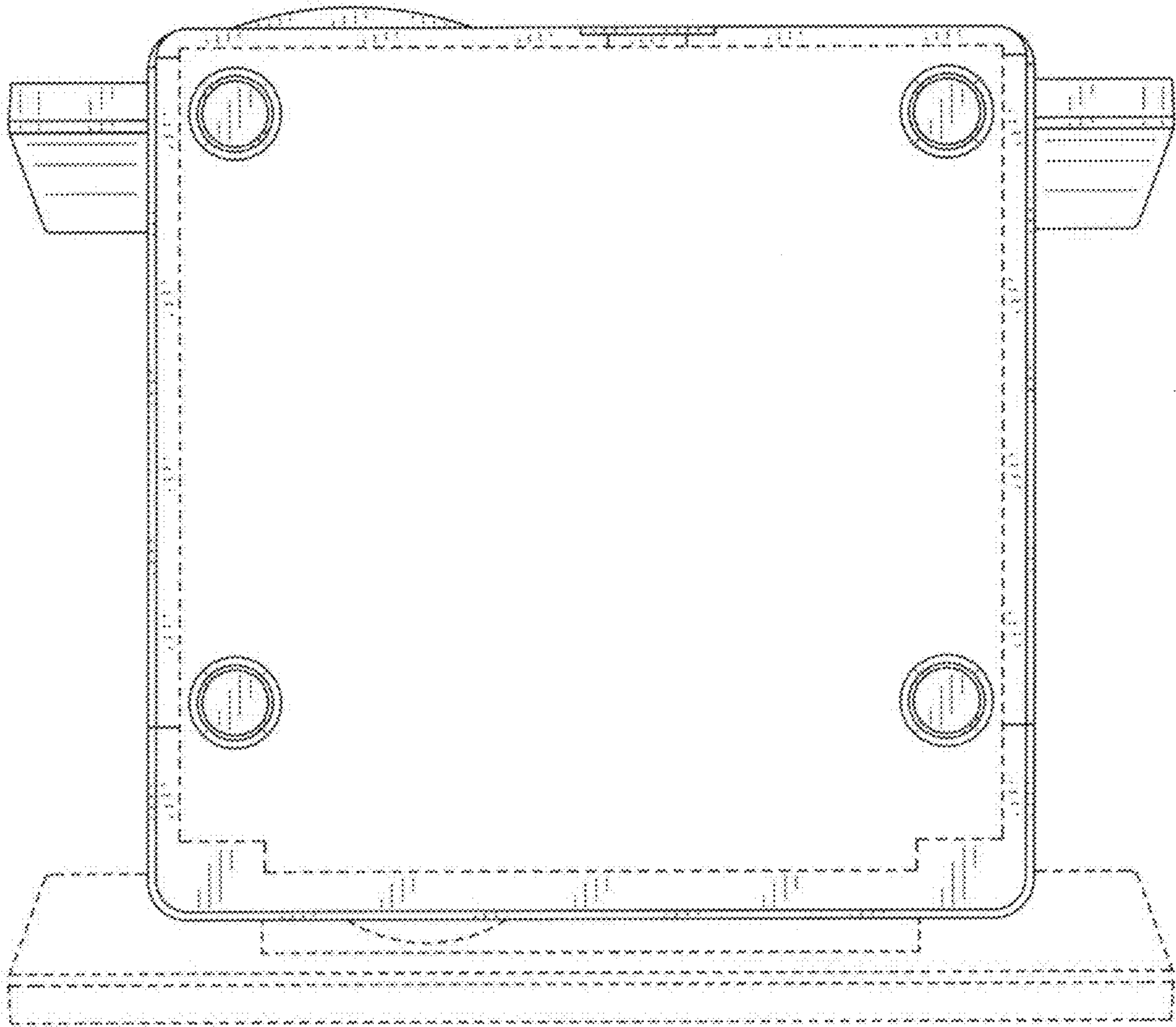


FIG. 14