



US00D894257S

(12) **United States Design Patent** (10) **Patent No.:** **US D894,257 S**
Kim et al. (45) **Date of Patent:** **** Aug. 25, 2020**

(54) **GIMBAL**

(71) Applicant: **SZ DJI TECHNOLOGY CO., LTD.**,
Shenzhen (CN)

(72) Inventors: **Min Kim**, Shenzhen (CN); **Zhi-Hui
Zhu**, Shenzhen (CN); **Xiao-Yu Tian**,
Shenzhen (CN)

(73) Assignee: **SZ DJI TECHNOLOGY CO., LTD.**,
Shenzhen (CN)

(**) Term: **15 Years**

(21) Appl. No.: **29/704,737**

(22) Filed: **Sep. 6, 2019**

Related U.S. Application Data

(63) Continuation of application No. 29/688,578, filed on
Apr. 23, 2019, now Pat. No. Des. 866,647, which is
a continuation of application No. 29/632,363, filed on
Jan. 8, 2018, now Pat. No. Des. 857,786.

(51) **LOC (12) Cl.** **16-05**

(52) **U.S. Cl.**
USPC **D16/243**

(58) **Field of Classification Search**
USPC D16/208–209, 219, 237–250; D8/354,
D8/355, 363, 373, 382–383, 394–396;
D14/224, 229, 238, 251, 253, 447, 451,
D14/457

CPC F16M 11/06–10; F16M 11/14; G02B
7/00–002; G03B 17/56; G03B
17/561–568; H04N 5/2253–2254

See application file for complete search history.

(56) **References Cited**

U.S. PATENT DOCUMENTS

8,267,361 B1 * 9/2012 Dordick F16M 11/14
248/178.1
D780,825 S * 3/2017 Kim D10/103

D784,997 S * 4/2017 Cheng D14/447
D794,606 S * 8/2017 Zheng D14/217
D796,482 S * 9/2017 Zheng D14/217
D799,448 S * 10/2017 Zheng D14/217
9,800,786 B1 * 10/2017 Wei G03B 17/563
D810,171 S * 2/2018 Kim D16/206
D814,545 S * 4/2018 Kim D16/206

(Continued)

FOREIGN PATENT DOCUMENTS

CN 303509504 S 12/2015
CN 303565161 S 1/2016

(Continued)

OTHER PUBLICATIONS

DJI Ronin-S Dare to Move DJI. [online] Published on Jan. 7, 2018.
Retrieved Jun. 24, 2019 from URL: <https://www.dji.com/ronin-s>.*

Primary Examiner — Vy N Koenig

(74) *Attorney, Agent, or Firm* — ScienBiziP, P.C.

(57) **CLAIM**

The ornamental design for a gimbal, as shown and
described.

DESCRIPTION

FIG. 1 is a front perspective view of a gimbal showing our
design.

FIG. 2 is a rear perspective view thereof.

FIG. 3 is a front elevation view thereof.

FIG. 4 is a rear elevation view thereof.

FIG. 5 is a left side elevation view thereof.

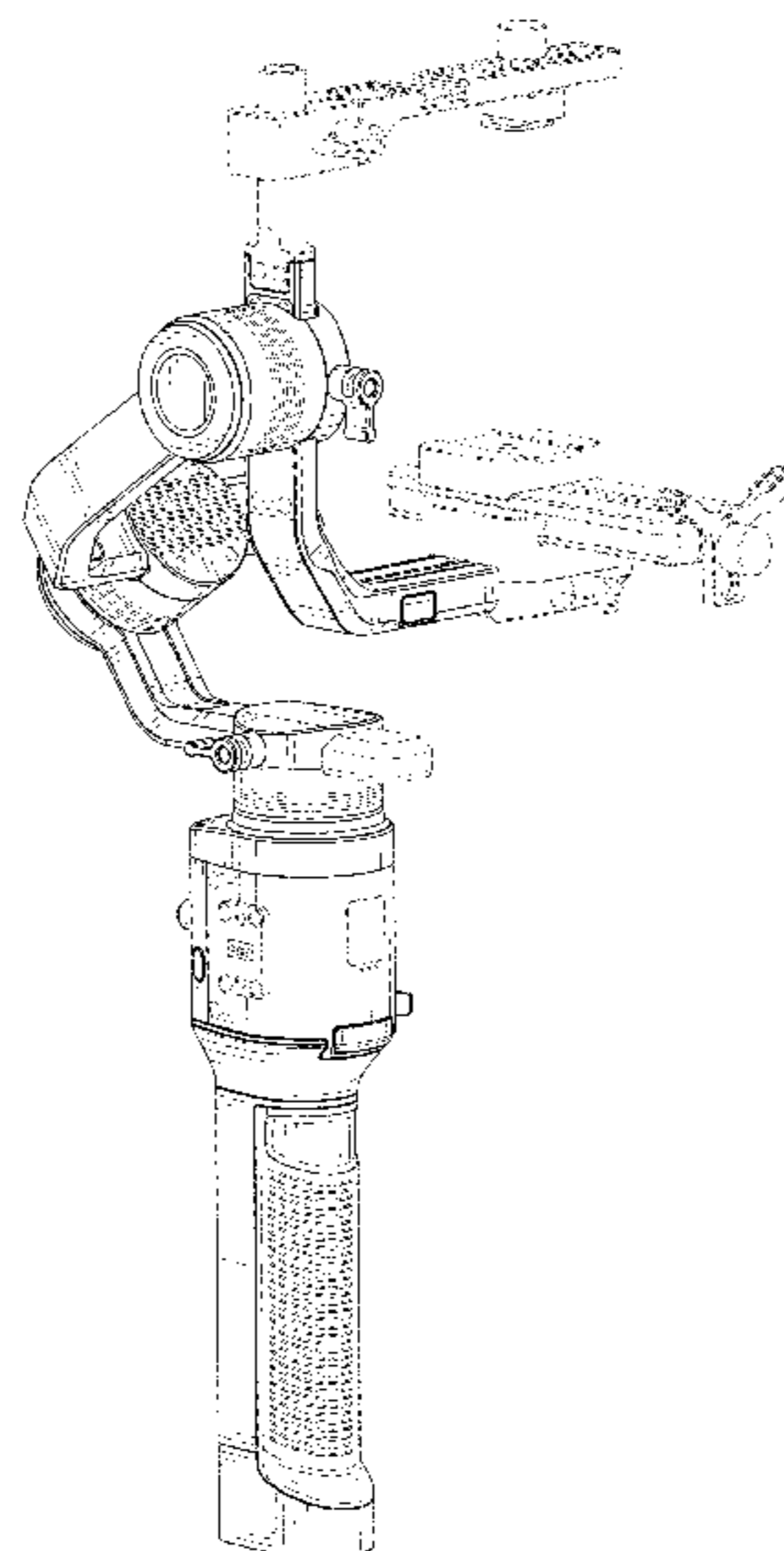
FIG. 6 is a right side elevation view thereof.

FIG. 7 is a top plan view thereof; and,

FIG. 8 is a bottom plan view thereof.

The broken lines in the drawings depict environmental
structure and boundaries only and form no part of the
claimed design to be patented.

1 Claim, 8 Drawing Sheets



(56)

References Cited

FOREIGN PATENT DOCUMENTS

U.S. PATENT DOCUMENTS

D815,180 S * 4/2018 Kim D16/206
 D824,882 S * 8/2018 Zheng D14/217
 D826,310 S * 8/2018 Wang D16/243
 D857,786 S * 8/2019 Kim D16/243
 D860,170 S * 9/2019 Ding D14/217
 D863,411 S * 10/2019 Liao D16/243
 10,432,863 B2 * 10/2019 Appel F16M 11/10
 D866,647 S * 11/2019 Kim D16/243
 10,465,840 B2 * 11/2019 Gubler B64C 39/024
 2016/0381271 A1 * 12/2016 Cheng F16M 11/041
 348/208.2
 2017/0037995 A1 * 2/2017 Pan G03B 17/561
 2017/0064176 A1 * 3/2017 Kim F16M 11/18
 2017/0146892 A1 * 5/2017 Wei F16M 11/045
 2017/0191613 A1 * 7/2017 Liu F16M 11/12
 2017/0241589 A1 * 8/2017 Wang F16M 11/18
 2017/0307136 A1 * 10/2017 Wei G03B 17/561
 2018/0031951 A1 * 2/2018 Wang G03B 17/561

CN 303572923 S 1/2016
 CN 303933788 S 11/2016
 CN 303933792 S 11/2016
 CN 303950098 S 11/2016
 CN 303959959 S 12/2016
 CN 303969930 S 12/2016
 CN 304006157 S 1/2017
 CN 304019018 S 1/2017
 CN 304057342 S 2/2017
 CN 304118256 S 4/2017
 CN 304322279 S 10/2017
 CN 304400849 S 12/2017
 CN 304432372 S 12/2017
 JP D1557793 9/2016
 JP D1559060 9/2016

* cited by examiner

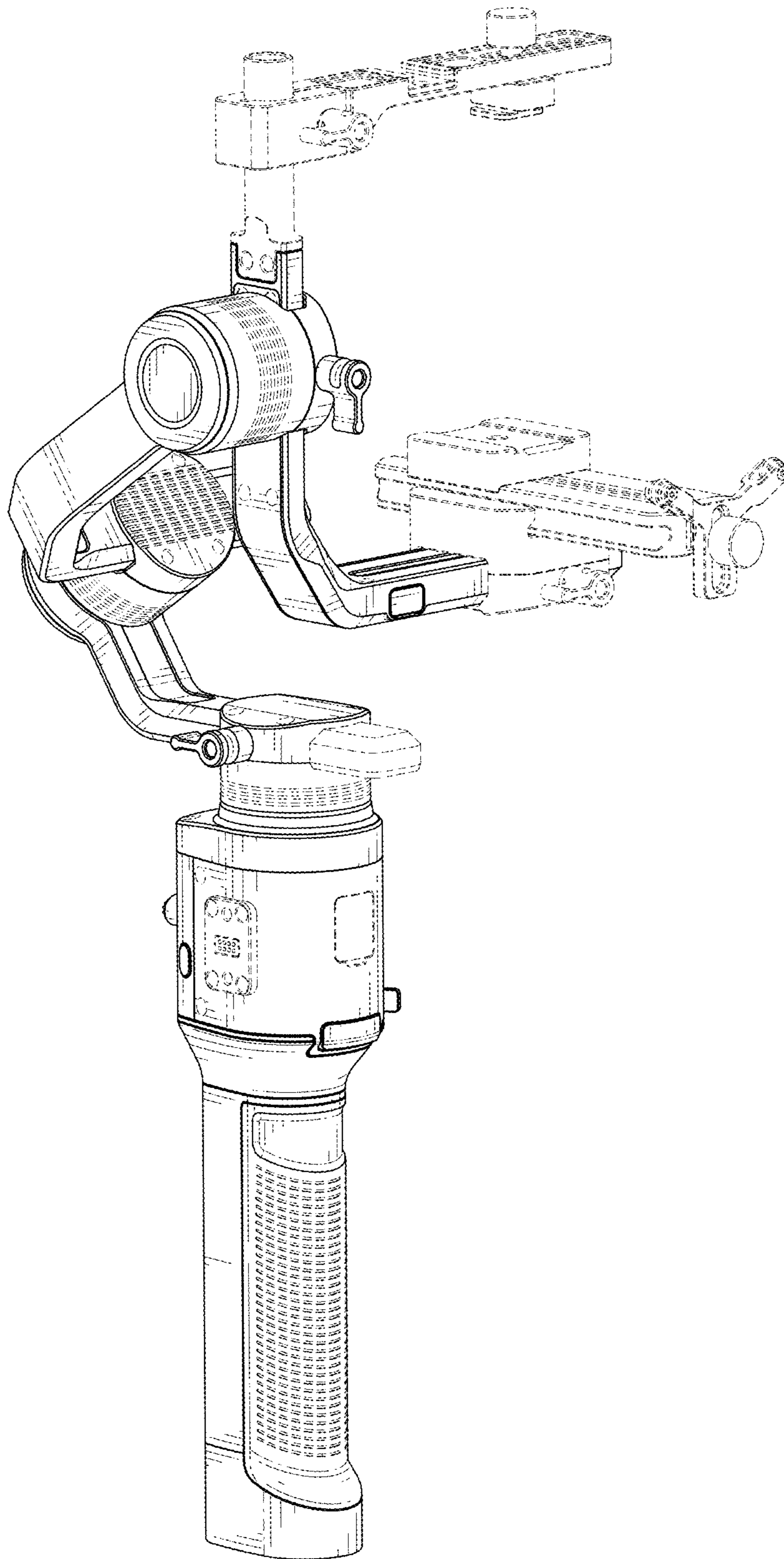


FIG. 1

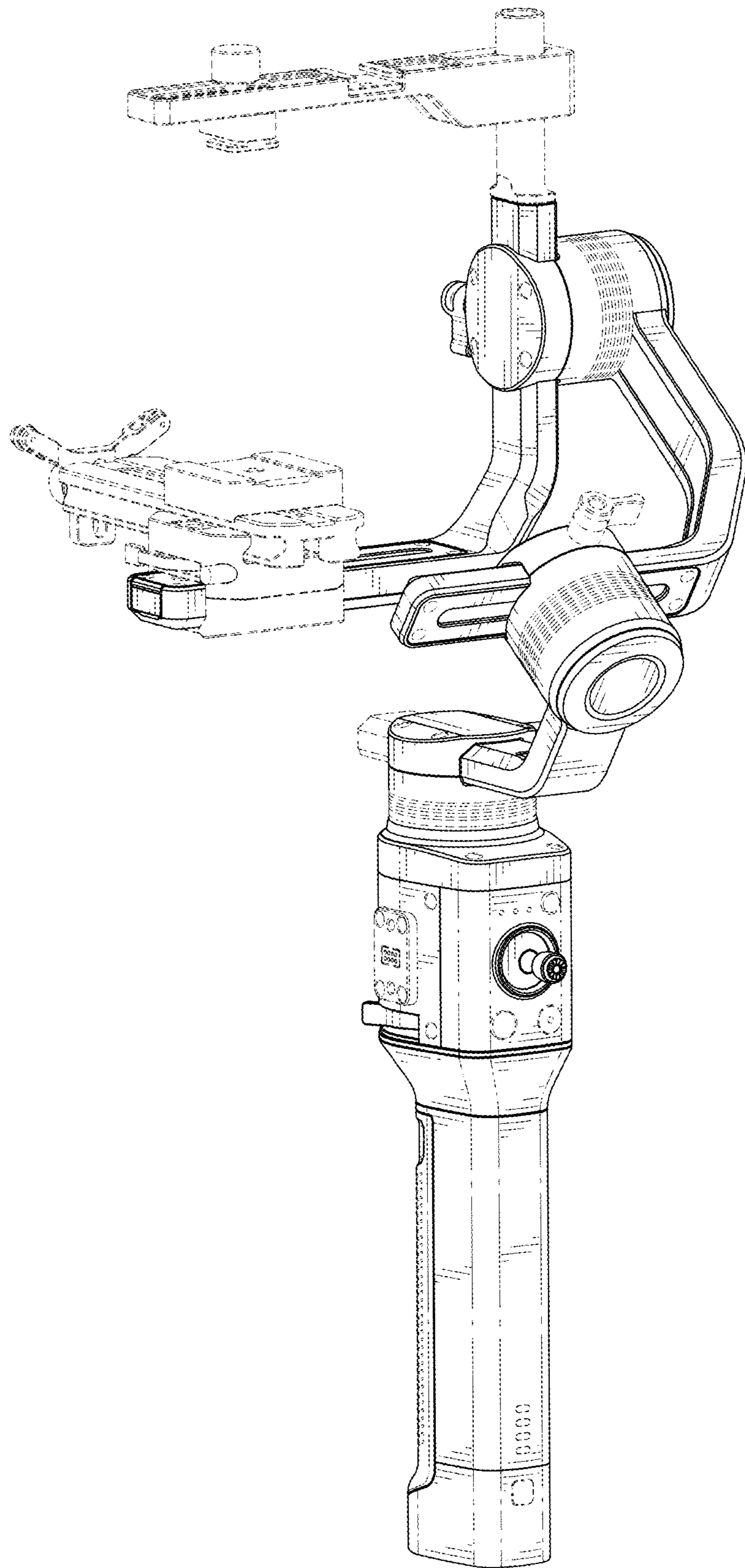


FIG. 2

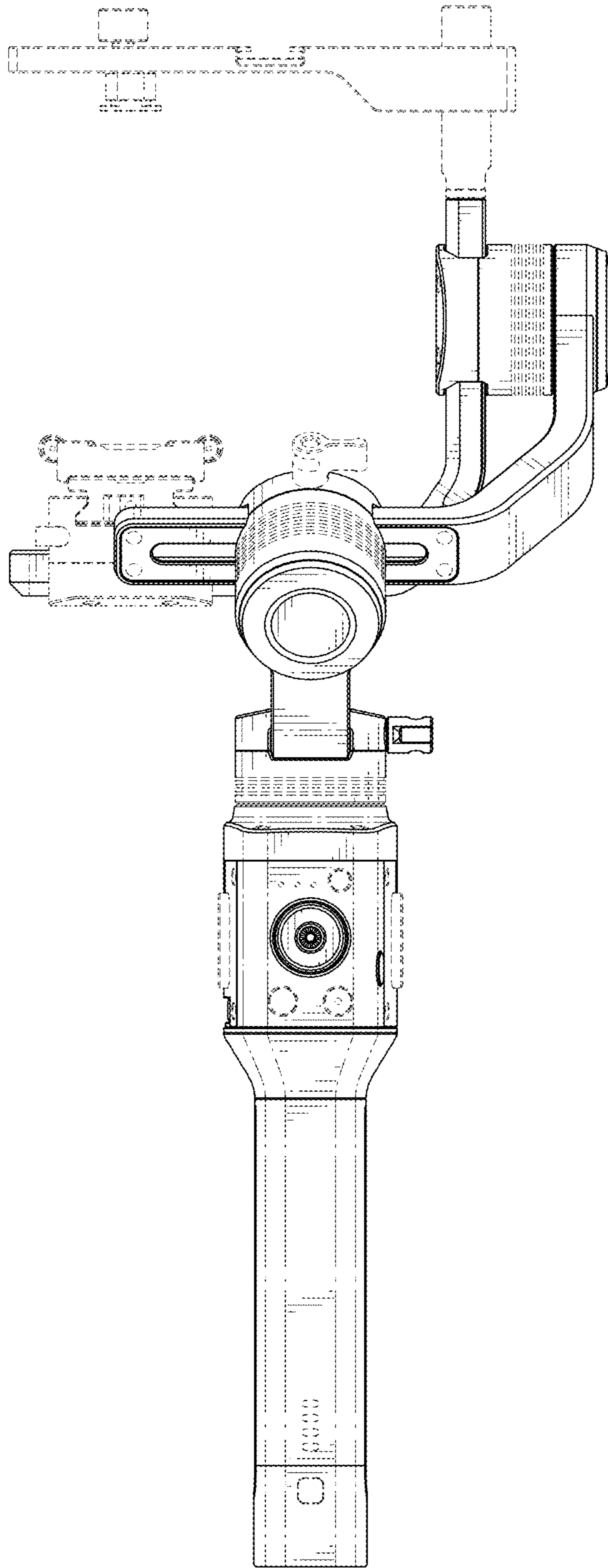


FIG. 3

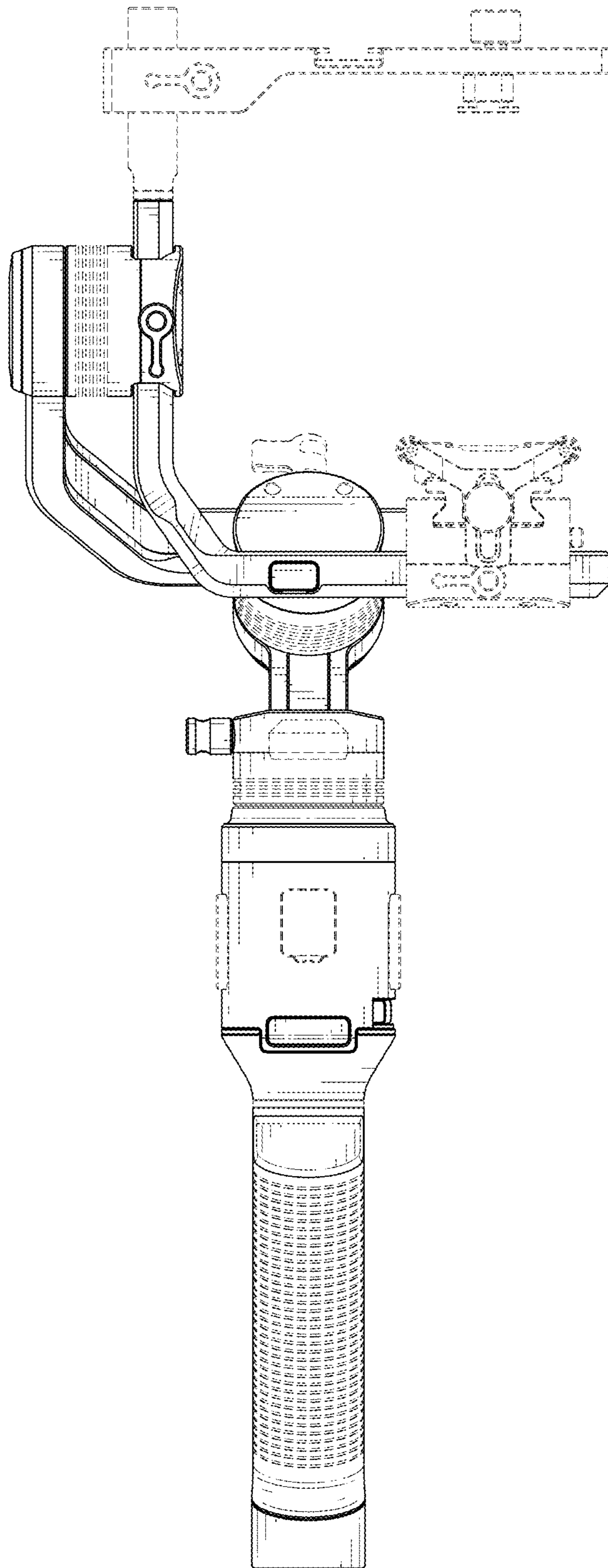


FIG. 4

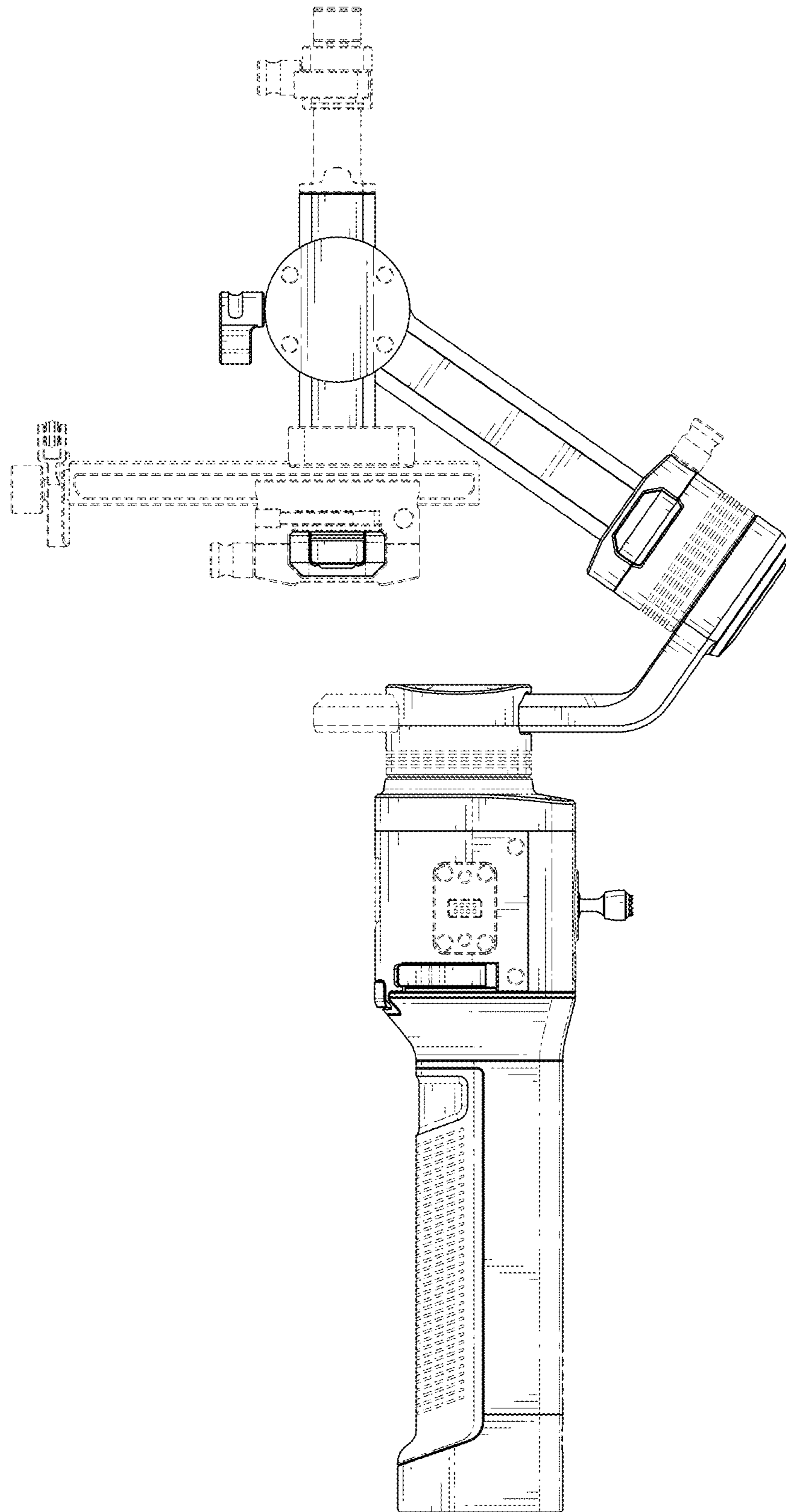


FIG. 5

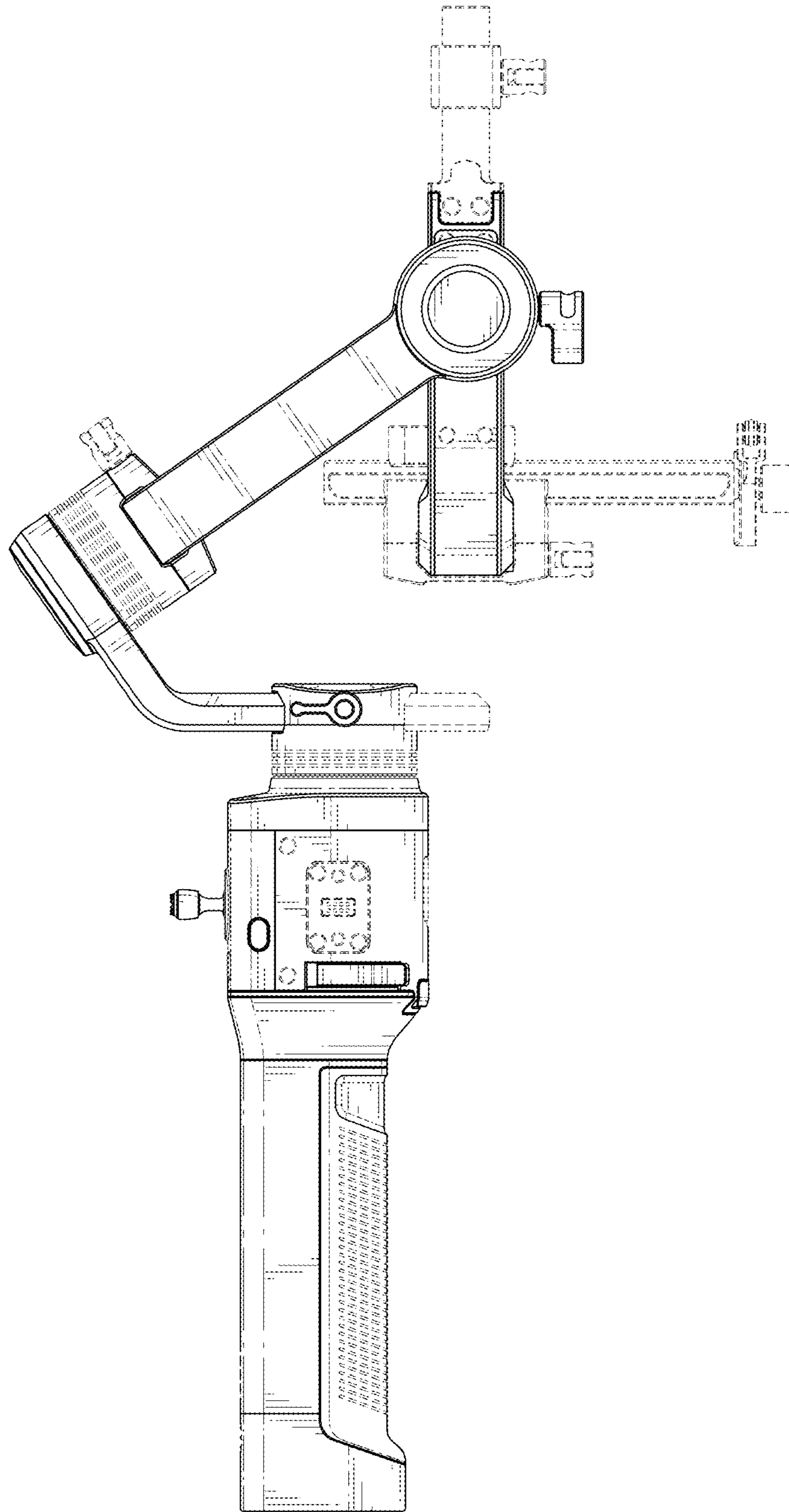


FIG. 6

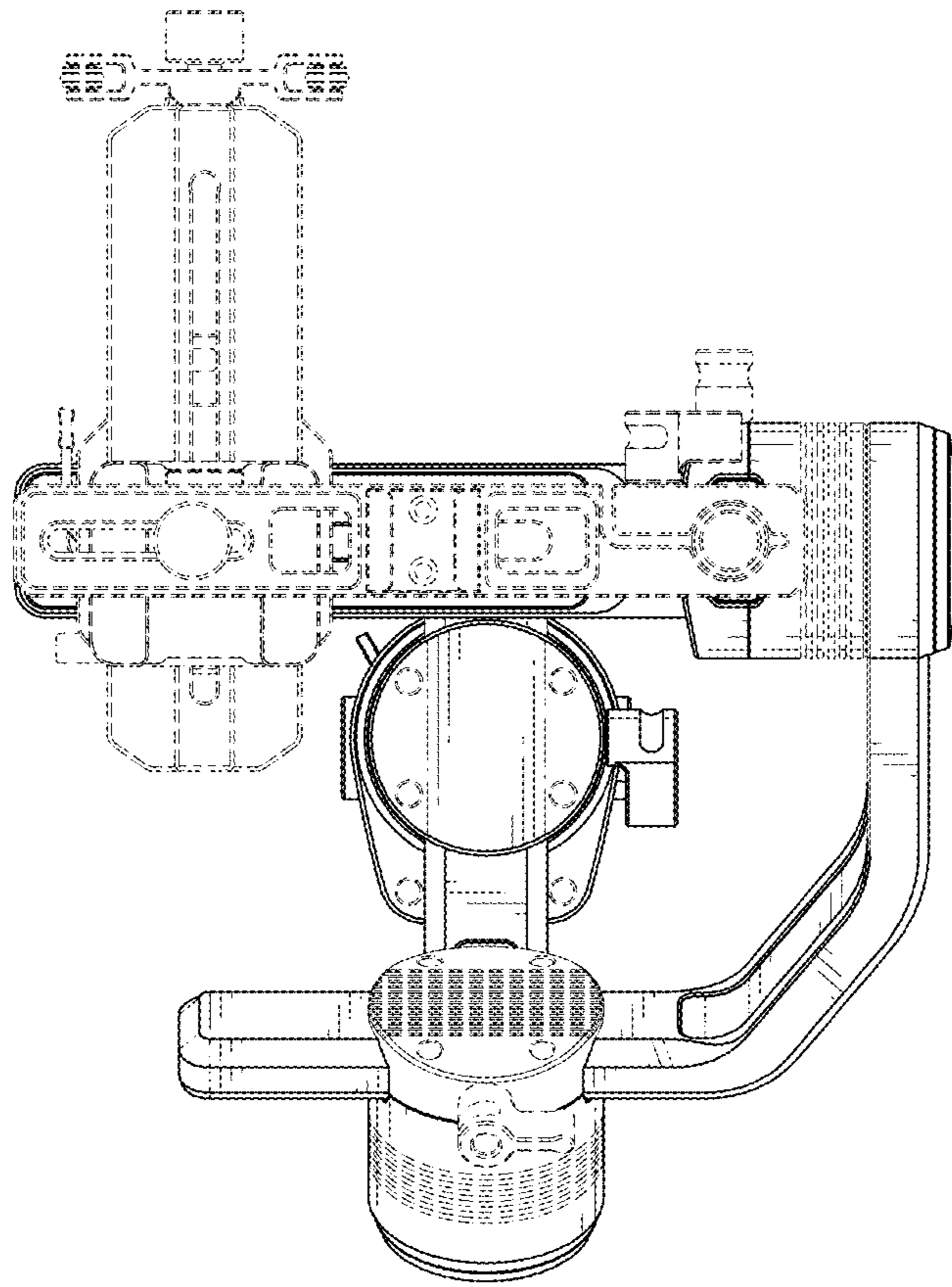


FIG. 7

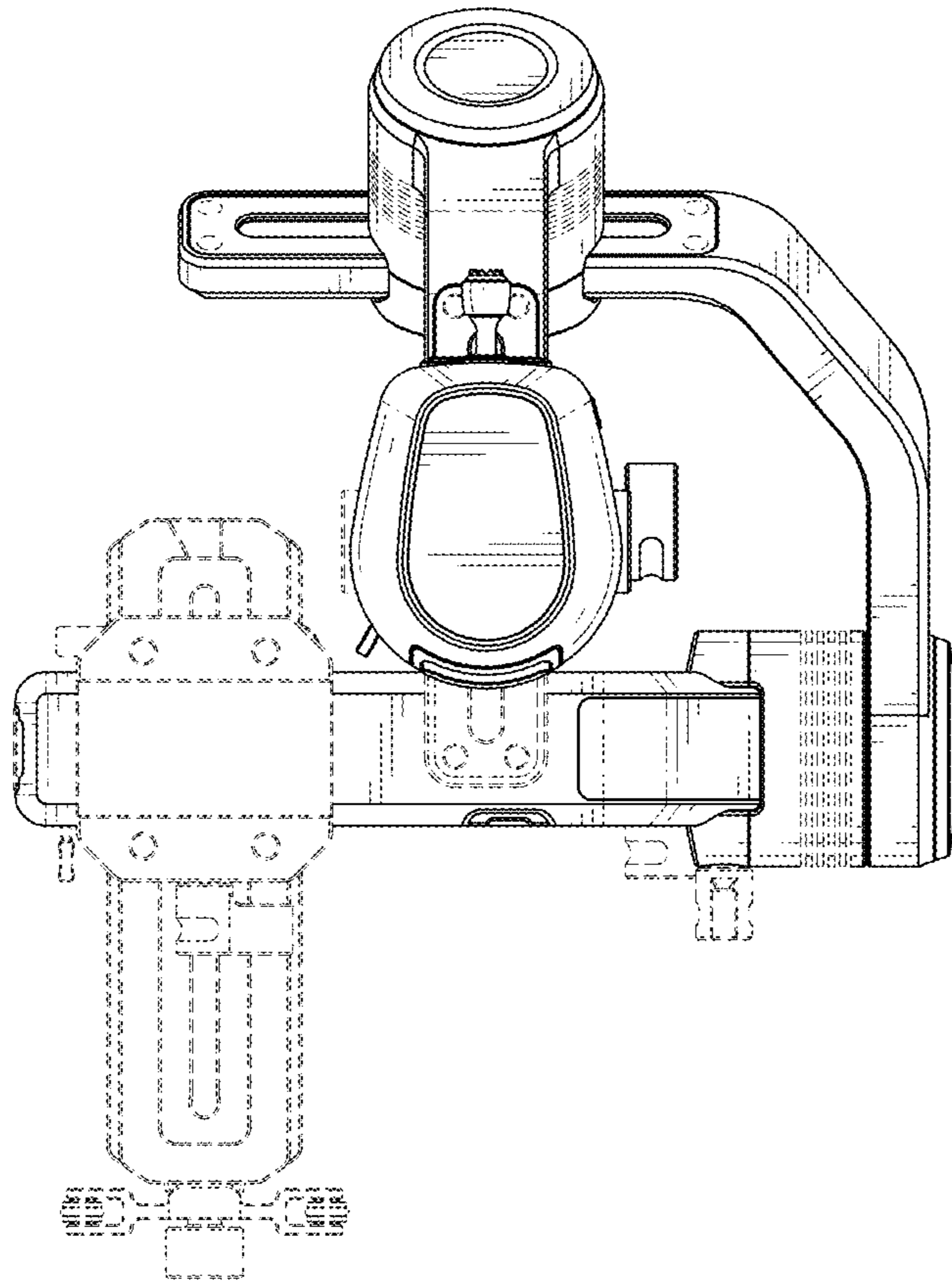


FIG. 8