



US00D894256S

(12) **United States Design Patent**
Vitale et al.

(10) **Patent No.:** **US D894,256 S**

(45) **Date of Patent:** **** Aug. 25, 2020**

(54) **CAMERA MOUNT**

(71) Applicant: **GoPro, Inc.**, San Mateo, CA (US)

(72) Inventors: **Nicholas Vitale**, Foster City, CA (US);
John George Muhlenkamp, IV,
Brisbane, CA (US); **Huy Phuong**
Nguyen, San Mateo, CA (US); **Marco**
Marroquin, San Mateo, CA (US);
Nicholas D. Woodman, Woodside, CA
(US)

(73) Assignee: **GoPro, Inc.**, San Mateo, CA (US)

(**) Term: **15 Years**

(21) Appl. No.: **29/661,819**

(22) Filed: **Aug. 31, 2018**

(51) **LOC (12) Cl.** **16-05**

(52) **U.S. Cl.**
USPC **D16/242**

(58) **Field of Classification Search**
USPC D16/219, 237-250; D8/354, 355, 363,
D8/373, 382-383, 394-396; D14/224,
D14/229, 238, 251, 447, 451, 457
(Continued)

(56) **References Cited**

U.S. PATENT DOCUMENTS

1,467,556 A 9/1923 Nagel
1,612,277 A 12/1926 Leo
(Continued)

FOREIGN PATENT DOCUMENTS

CN 1740899 A 3/2006
CN 100432830 11/2008
(Continued)

OTHER PUBLICATIONS

Double male GoPro bar by eliotg Thingiverse. [online] Published on
Jan. 16, 2016. Retrieved from URL:<https://www.thingiverse.com/thing:1273246>.*

(Continued)

Primary Examiner — Vy N Koenig

(74) *Attorney, Agent, or Firm* — Young Basile Hanlon &
MacFarlane, P.C.

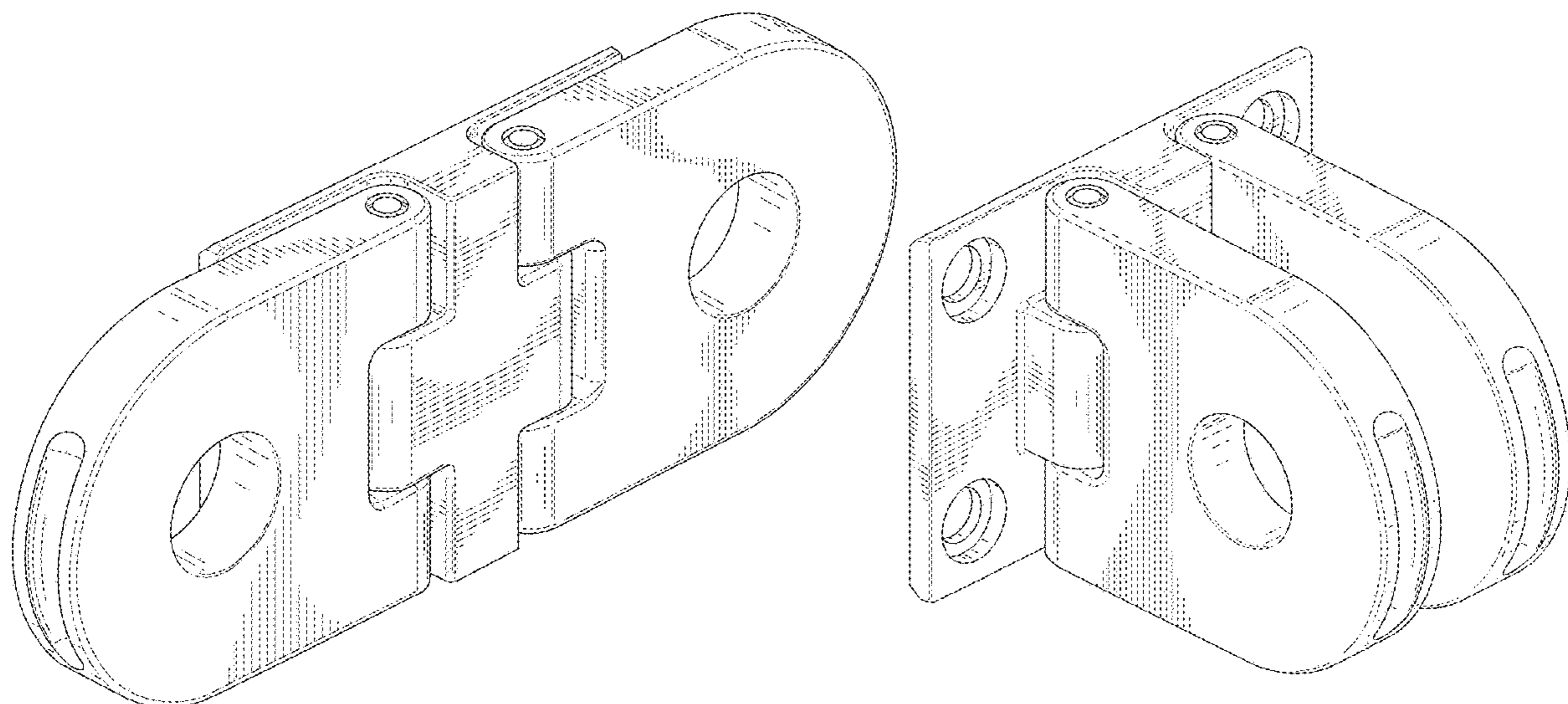
(57) **CLAIM**

The ornamental design for a camera mount, as shown and
described.

DESCRIPTION

FIG. 1 is a lower, front, left perspective view of a camera
mount in a first state.
FIG. 2 is a bottom plan view of the camera mount of FIG.
1.
FIG. 3 is an upper plan view of the camera mount of FIG.
1.
FIG. 4 is a front elevation view of the camera mount of FIG.
1.
FIG. 5 is a rear elevation view of the camera mount of FIG.
1.
FIG. 6 is a left elevation view of the camera mount of FIG.
1.
FIG. 7 is right elevation view of the camera mount of FIG.
1.
FIG. 8 is a lower, front, left perspective view of the camera
mount of FIG. 1 in a second state.
FIG. 9 is a bottom plan view of the camera mount of FIG.
8.
FIG. 10 is an upper plan view of the camera mount of FIG.
8.
FIG. 11 is a front elevation view of the camera mount of
FIG. 8.
FIG. 12 is a rear elevation view of the camera mount of FIG.
8.
FIG. 13 is a left elevation view of the camera mount of FIG.
8; and,
FIG. 14 is right elevation view of the camera mount of FIG.
8.

1 Claim, 14 Drawing Sheets



(58) **Field of Classification Search**
 CPC A45F 2200/0508-0533; A45F 5/00; A45F
 5/10; F16M 11/06-10; F16M 11/14;
 G02B 7/00-002; G03B 17/56; G03B
 17/561-568; H04N 5/2253-2254
 See application file for complete search history.

(56) **References Cited**
 U.S. PATENT DOCUMENTS

D118,296 S 12/1939 Tuomey
 2,651,981 A 9/1953 Calhoun
 2,890,067 A 6/1959 Morin
 2,962,251 A 11/1960 Nikolaus
 3,073,227 A 1/1963 Richard
 3,508,482 A 4/1970 Taylor
 D219,768 S 1/1971 Conwill
 3,762,797 A 10/1973 Heller
 3,776,649 A 12/1973 Kemezys
 3,860,937 A 1/1975 Wolfe
 D243,655 S 3/1977 Matousek
 4,025,930 A 5/1977 Wolff
 4,091,402 A 5/1978 Siegel
 4,208,028 A 6/1980 Brown
 D272,392 S 1/1984 Bigelow
 4,646,141 A 2/1987 Timmermans
 4,733,259 A 3/1988 Ng
 4,763,151 A 8/1988 Klinger
 4,837,817 A 6/1989 Maemori
 4,864,335 A 9/1989 Corrales
 4,887,161 A 12/1989 Watanabe
 4,888,795 A 12/1989 Ando
 5,021,813 A 6/1991 Corrales
 5,092,458 A 3/1992 Yokoyama
 5,244,326 A 9/1993 Henriksen
 5,294,988 A 3/1994 Wakabayashi
 5,327,265 A 7/1994 McDonald
 5,336,086 A 8/1994 Simmen
 5,400,234 A 3/1995 Yu
 5,429,466 A 7/1995 Nagayama
 D363,562 S 10/1995 Schildt
 5,485,357 A 1/1996 Zolninger
 5,486,852 A 1/1996 Arai
 5,505,424 A 4/1996 Niemann
 D373,947 S * 9/1996 Parduhn D8/373
 5,563,661 A 10/1996 Takahashi
 5,627,587 A 5/1997 Murata
 5,657,081 A 8/1997 Kurahashi
 5,661,823 A 8/1997 Yamauchi
 5,729,289 A 3/1998 Etoh
 5,769,370 A 6/1998 Ashjaee
 5,775,558 A 7/1998 Montalbano
 5,805,219 A 9/1998 Ejima
 5,808,663 A 9/1998 Okaya
 5,842,069 A 11/1998 Konno
 5,887,375 A 3/1999 Watson
 5,926,218 A 7/1999 Smith
 5,938,492 A 8/1999 Carlini
 5,946,501 A 8/1999 Hayakawa
 5,969,750 A 10/1999 Hsieh
 D418,044 S 12/1999 Schoeneweis
 6,034,728 A 3/2000 Arena
 6,035,147 A 3/2000 Kurosawa
 6,104,887 A 8/2000 Hamasaki
 6,118,929 A 9/2000 Kawamura
 6,128,441 A 10/2000 Kamata
 6,138,826 A 10/2000 Kanamori
 D437,772 S 2/2001 Erwin
 D441,386 S 5/2001 Yamazaki
 D442,982 S 5/2001 Adachi
 6,315,180 B1 11/2001 Watkins
 6,332,146 B1 12/2001 Jebens
 6,360,928 B1 3/2002 Russo
 D460,474 S 7/2002 Gotham, Sr.
 D462,893 S 9/2002 Sung
 6,480,671 B2 11/2002 Takahashi
 6,483,542 B1 11/2002 Morinaga

D467,605 S 12/2002 Dordick
 6,583,809 B1 6/2003 Fujiwara
 6,654,235 B2 11/2003 Imsand
 D483,789 S 12/2003 Dordick
 6,727,954 B1 4/2004 Okada
 6,741,287 B1 5/2004 Fuchimukai
 D491,968 S 6/2004 Isshiki
 D492,893 S * 7/2004 Oddsen, Jr. D8/354
 D494,450 S * 8/2004 Schultz D8/356
 6,809,759 B1 10/2004 Chiang
 D504,904 S 5/2005 Nagai
 6,955,484 B2 10/2005 Woodman
 D511,960 S 11/2005 Ogino
 D515,121 S 2/2006 Bleau
 D515,613 S 2/2006 Holmes
 D515,910 S 2/2006 Gates
 7,011,460 B1 3/2006 Todd
 7,060,921 B2 6/2006 Kubo
 7,077,582 B2 7/2006 Johnson
 7,129,981 B2 10/2006 Berstis
 7,185,862 B1 3/2007 Yang
 7,196,722 B2 3/2007 White
 7,226,261 B1 6/2007 Bristol
 D551,969 S 10/2007 Aurilio
 7,285,879 B2 10/2007 Osaka
 7,295,388 B2 11/2007 Shyu
 D559,083 S 1/2008 Brassard
 7,327,396 B2 2/2008 Schultz
 7,337,403 B2 2/2008 Pavley
 7,362,352 B2 4/2008 Ueyama
 7,379,664 B2 5/2008 Marcus
 D571,188 S 6/2008 Brassard
 D576,486 S 9/2008 Koza
 D577,729 S 9/2008 Derry
 D577,731 S 9/2008 Altonji
 7,440,693 B2 10/2008 Kouchi
 D581,255 S * 11/2008 Calvin D8/356
 D582,955 S 12/2008 Sekine
 7,463,304 B2 12/2008 Murray
 7,464,215 B2 12/2008 Kawai
 7,496,293 B2 2/2009 Shamir
 7,508,420 B2 3/2009 Kitajima
 D591,325 S 4/2009 Dordick
 7,537,399 B2 5/2009 Mayumi
 7,543,327 B1 6/2009 Kaplinsky
 D596,217 S 7/2009 Kim
 D596,658 S 7/2009 Dordick
 7,612,821 B1 11/2009 Hsia
 7,613,386 B2 11/2009 Shimamura
 7,643,056 B2 1/2010 Silsby
 7,656,294 B2 2/2010 Boss
 7,663,666 B2 2/2010 Kawai
 7,671,886 B2 3/2010 Sawada
 7,674,081 B2 3/2010 Selle
 D616,286 S 5/2010 Foresman
 D616,480 S 5/2010 Ookawa
 D616,742 S 6/2010 Lymn
 7,728,905 B2 6/2010 Tanaka
 7,752,732 B2 7/2010 Brown
 7,801,425 B2 9/2010 Fantone
 D625,750 S 10/2010 Dittmer
 7,823,771 B2 11/2010 Sawachi
 D635,445 S 4/2011 Foresman
 D640,304 S 6/2011 Green
 8,013,932 B2 9/2011 Chan
 8,014,656 B2 9/2011 Woodman
 8,026,945 B2 9/2011 Garoutte
 D646,313 S 10/2011 Woodman
 8,031,222 B2 10/2011 Crinon
 D657,808 S 4/2012 Woodman
 8,150,248 B1 4/2012 Woodman
 8,194,145 B2 6/2012 Lee
 8,194,174 B2 6/2012 Roskowski
 8,199,251 B2 6/2012 Woodman
 8,218,025 B2 7/2012 Yonaha
 8,235,635 B1 8/2012 Brown
 8,267,361 B1 9/2012 Dordick
 8,300,107 B2 10/2012 Strandwitz
 D671,394 S 11/2012 Derry

(56)

References Cited

OTHER PUBLICATIONS

https://www.amazon.com/Tripod-Pistol-Cameras-Weighing-2-5lbs/dp/B0739YGN9M/ref=s_r_1_1?keywords=Handheld+Grip+Mini+Tripod+Stand+for+DC+Digital+Camera+Camcorder&qid=1582047442&sr=8-1, Retrieved Feb. 22, 2020, 9 pages.

<https://www.youtube.com/watch?v=sOfMcPM5Xg4> (@ 7:08 mark), retrieved Feb. 22, 2020.

Huang, J., “Part 19—Oct. 21: Interbike Bits and Baubles,” Interbike Show, Las Vegas, Nevada, USA, Sep. 22-26, 2008, Cyclingnews.com, [Online] [Retrieved on Oct. 21, 2008] Retrieved from the Internet <URL:<http://www.cyclingnews.com/tech/2008/shows/interbike08/?i-d=result...>>. 3 pages.

Instagram Account for “mygomount”, First post uploaded on Mar. 19, 2017, 3 Pages, [online] Retrieved on Jul. 25, 2017] Retrieved from the internet <URL:<https://www.instagram.com/mygomount/?h1=en>>.

International Search Report and Written Opinion for International Application No. PCT/US2014/046552, dated Aug. 18, 2014, 7 pages.

Ion USA, ‘Wi-Fi PODZ,’ Date Unknown, 2 pages. [Online] [Retrieved Oct. 11, 2016] Retrieved from the internet <<https://usa.ioncamera.com/shop/wi-fi-podz/>>.

JP-05304625 A, 1993, 5 pages, (Machine Translation available from JPO website), [Online]. [Retrieved Dec. 14, 2014], Retrieved from the Internet <http://dossier1.ipdl.inpit.go.jp/cgi-bin/tran_web.cgi-e-jje?u=http%3A%2F%2Fdossier1%...>.

JP5-304625 English Machine Translation available from JPO website. 7 pages.

Non-Final Rejection for U.S. Appl. No. 13/665,594 dated Mar. 29, 2013, 25 Pages.

Non-Final Rejection for U.S. Appl. No. 12/498,890 dated Aug. 30, 2011, 31 Pages.

Norouznezhad, E. et al. “A High Resolution Smart Camera with GigE Vision Extension for Surveillance Applications,” Second ACM/IEEE International Conference on Distributed Smart Cameras, 2008, 8 pages.

Office Action for U.S. Appl. No. 14/521,458, dated Feb. 25, 2016, 13 Pages.

Office Action for U.S. Appl. No. 14/521,458, dated Jul. 28, 2015, 12 Pages.

PCT International Search Report and Written Opinion for PCT/US15/43958, dated Nov. 9, 2015, 14 Pages.

PCT International Search Report and Written Opinion for PCT/US15/45403, dated Nov. 19, 2015, 12 Pages.

PCT International Search Report and Written Opinion for PCT/US15/56478, dated Jan. 15, 2016, 9 Pages.

PCT International Search Report and Written Opinion for PCT/US2014/058465, dated Dec. 23, 2014, 17 pages.

PCT International Search Report and Written Opinion for PCT/US2014/070655, dated Apr. 29, 2015, 13 Pages.

PCT International Search Report and Written Opinion for PCT/US2015/028377, dated Jul. 24, 2015, 16 Pages.

PCT International Search Report and Written Opinion, PCT Application No. PCT/US2009/049821, dated Sep. 3, 2009, 8 pages.

PCT International Search Report and Written Opinion, PCT/US2012/063304, dated Jan. 22, 2013, 7 Pages.

PCT International Search Report for Written Opinion for PCT/US2013/062061, dated Mar. 3, 2014, 15 Pages.

Pro Camera Bracket Integrated Mount. Online, published date unknown. Retrieved on May 23, 2018 from URL: <https://www.annaincycling.com/pro-camera-bracket-integrated-mount-black-17-pro-saddle-c-onnpatible-prac0129/p612468> (1 page).

Pro Standard, “The Grill Mount Multi-Function Mouth Mount,” Date unknown, 8 Pages, [online] Retrieved on Jul. 25, 2017] Retrieved from the internet <URL:<https://www.prostandard.com/collections/pro-standard/products/the-grill-mount?variant=7683423299>>.

Re-Fuel, ‘24hr Action Pack Battery for GoPro Hero4, Hero3+ & Hero3,’ Date Unknown, 5 pages. [Online] [Retrieved Oct. 11, 2016] Retrieved from the internet <<https://re-fuel.com/action-packs/24hr-action-battery-pack.html>>.

Sun, X. et al. “Region of Interest Extraction and Virtual Camera Control Based on Panoramic Video Capturing,” IEEE Transactions on Multimedia, 2005, pp. 981-990, vol. 7, issue 5.

Supplementary European Search Report for European Patent Application No. EP 14829354, dated Aug. 16, 2016, 6 Pages.

United States Advisory Action, U.S. Appl. No. 14/521,458, dated Aug. 12, 2016, two pages.

United States Advisory Action, U.S. Appl. No. 14/521,458, dated Jun. 20, 2016, four pages.

United States Advisory Action, U.S. Appl. No. 14/947,766, dated Aug. 29, 2016, three pages.

United States Office Action for U.S. Appl. No. 14/148,536, dated Jul. 9, 2014, 9 pages.

United States Office Action for U.S. Appl. No. 14/536,683, dated Dec. 18, 2014, 14 Pages.

United States Office Action for U.S. Appl. No. 14/536,683, dated Jun. 9, 2015, 16 pages.

United States Office Action for U.S. Appl. No. 14/536,683, dated Sep. 21, 2015, 15 Pages.

United States Office Action for U.S. Appl. No. 13/666,807, dated Oct. 6, 2014, 11 pages.

United States Office Action for U.S. Appl. No. 14/149,502, dated Jul. 9, 2014, 8 pages.

United States Office Action for U.S. Appl. No. 14/495,673, dated Jan. 28, 2015, 16 pages.

United States Office Action for U.S. Appl. No. 14/495,673, dated Mar. 24, 2015, 15 pages.

United States Office Action for U.S. Appl. No. 14/495,673, dated Nov. 7, 2014, 16 pages.

United States Office Action for U.S. Appl. No. 14/604,118, dated Apr. 14, 2015, 11 pages.

United States Office Action, U.S. Appl. No. 14/459,650, dated Jun. 10, 2015, 7 pages.

United States Office Action, U.S. Appl. No. 14/132,554, dated Apr. 24, 2015, 13 pages.

United States Office Action, U.S. Appl. No. 14/132,554, dated Dec. 3, 2015, 28 pages.

United States Office Action, U.S. Appl. No. 14/132,554, dated Feb. 26, 2016, 31 pages.

United States Office Action, U.S. Appl. No. 14/854,040, dated Feb. 4, 2016, 7 pages.

United States Office Action, U.S. Appl. No. 14/521,458, dated Feb. 25, 2016, 13 pages.

United States Office Action, U.S. Appl. No. 14/521,458, dated Jul. 28, 2015, 12 pages.

United States Office Action, U.S. Appl. No. 14/521,458, dated Sep. 20, 2016, 16 pages.

United States Office Action, U.S. Appl. No. 14/606,018, dated Dec. 2, 2016, 19 pages.

United States Office Action, U.S. Appl. No. 14/606,018, dated Jan. 13, 2016, 16 pages.

United States Office Action, U.S. Appl. No. 14/606,018, dated Jul. 15, 2016, 21 pages.

United States Office Action, U.S. Appl. No. 14/606,018, dated Jun. 2, 2016, 19 pages.

United States Office Action, U.S. Appl. No. 14/947,766, dated Apr. 21, 2016, 13 pages.

United States Office Action, U.S. Appl. No. 14/947,766, dated Aug. 16, 2016, six pages.

United States Office Action, U.S. Appl. No. 14/947,766, dated Nov. 9, 2016, 11 pages.

United States Office Action, U.S. Appl. No. 15/180,535, dated Jan. 17, 2017, 12 pages.

United States Office Action, U.S. Appl. No. 15/187,708, dated Oct. 7, 2016, 13 pages.

URL:<http://www.fvshare.com/en/vitag>, retrieved on Feb. 22, 2020, 8 pages.

Design U.S. Appl. No. 29/661,818, filed Aug. 31, 2018, 75 pages.

Design U.S. Appl. No. 29/694,559, filed Jun. 11, 2019, 25 pages.

(56)

References Cited

OTHER PUBLICATIONS

Design U.S. Appl. No. 29/706,013, filed Sep. 17, 2019, 93 pages.

U.S. Appl. No. 16/697,947, filed Nov. 27, 2019, 73 pages.

Vixen Polaris Star Tracker Review. [online] Published date Mar. 22, 2013. Retrieved on Oct. 25, 2016 from <URL: <https://www.ephotozine.com/article/vixen-polaris-star-tracker-review-21516>> 6 pages.

Volk, W., 'Go Pro's Digital Hero Camera,' Divester, Posted Dec. 5, 2008, [Online] [Retrieved on Sep. 16, 2009] Retrieved from the Internet <URL: <http://www.divester.com/2006/12/05/go-pro-digital-hero-camera/>>. 3 pages.

YourDealer, 'Aputure Gigtube Digital Screen Remote Viewfinder gives you more remote control with most DSLRs,' 2009 Deals-World.com, Apr. 11, 2010, 3 pages, [Online] [Retrieved on Feb. 11, 2015] Retrieved from the Internet <URL: <http://www.deals-world.com/deals/2010/04/11/aputure-gigtube-digital-screen-remote-viewfinder-gives-you-more-remote-control-with-most-dslrs/>>, Apr. 11, 2010.

youtube.com, Video for 'The Air Pro Wi-Fi Podz,' Aug. 18, 2014, one page, [Online] [Retrieved Oct. 11, 2016] Can be retrieved from the internet <URL: <https://www.youtube.com/watch?v=YpWZ44aCdGA>>.

youtube.com, Video for 'The WiFi PODZ Tutorial,' Jun. 15, 2012, two pages. [Online] [Retrieved Oct. 11, 2016] Can be retrieved from the internet <URL: <https://www.youtube.com/watch?v=kG-GwGobzQBg>>.

* cited by examiner

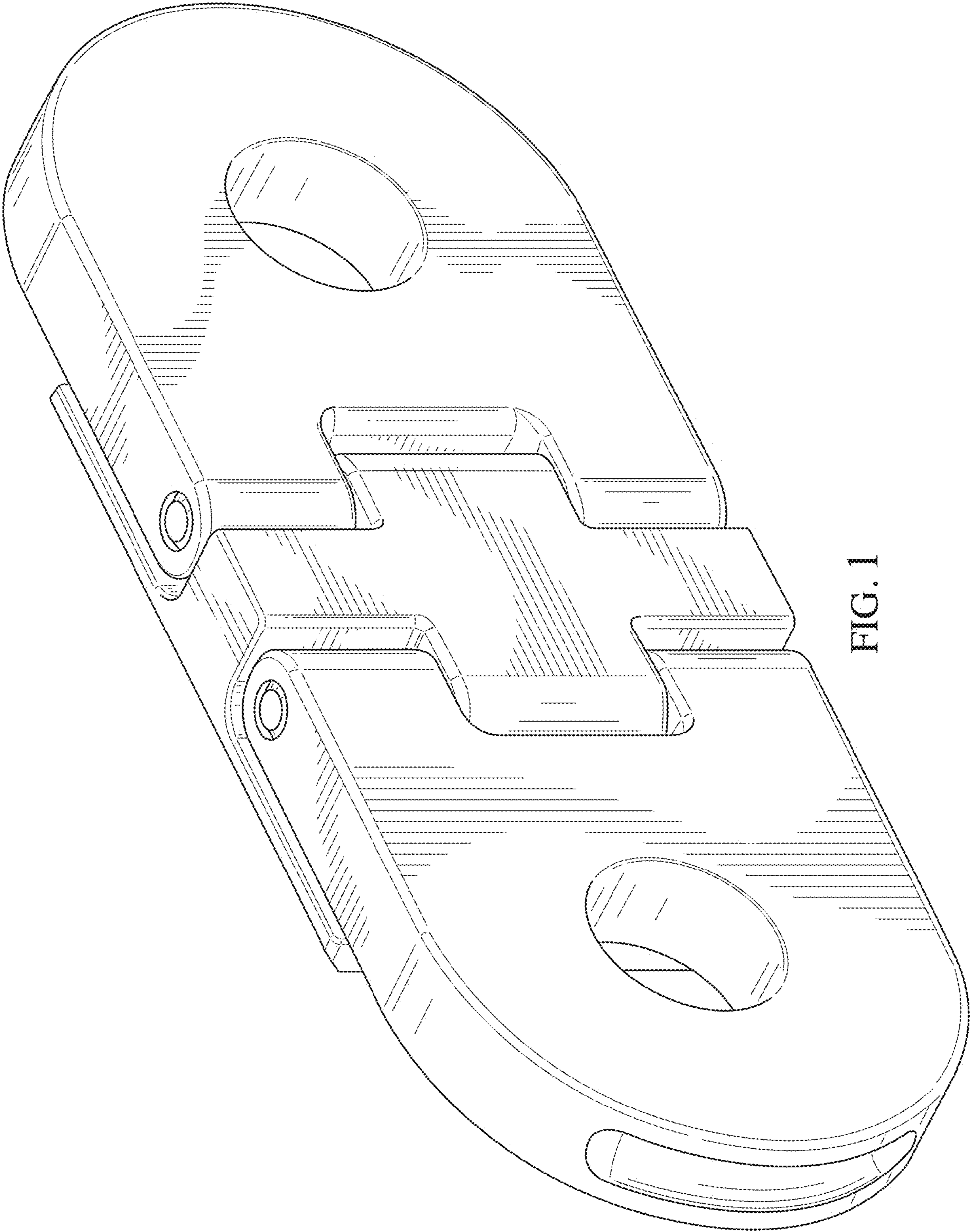


FIG. 1

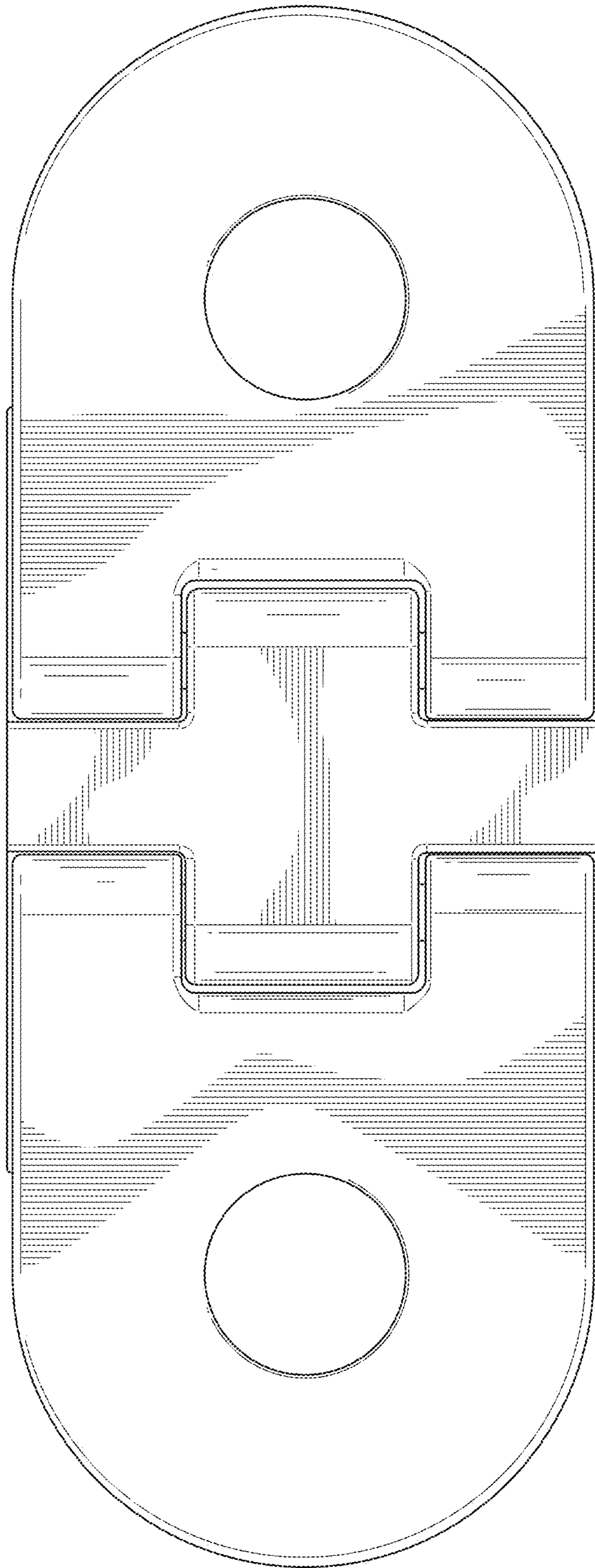


FIG. 2

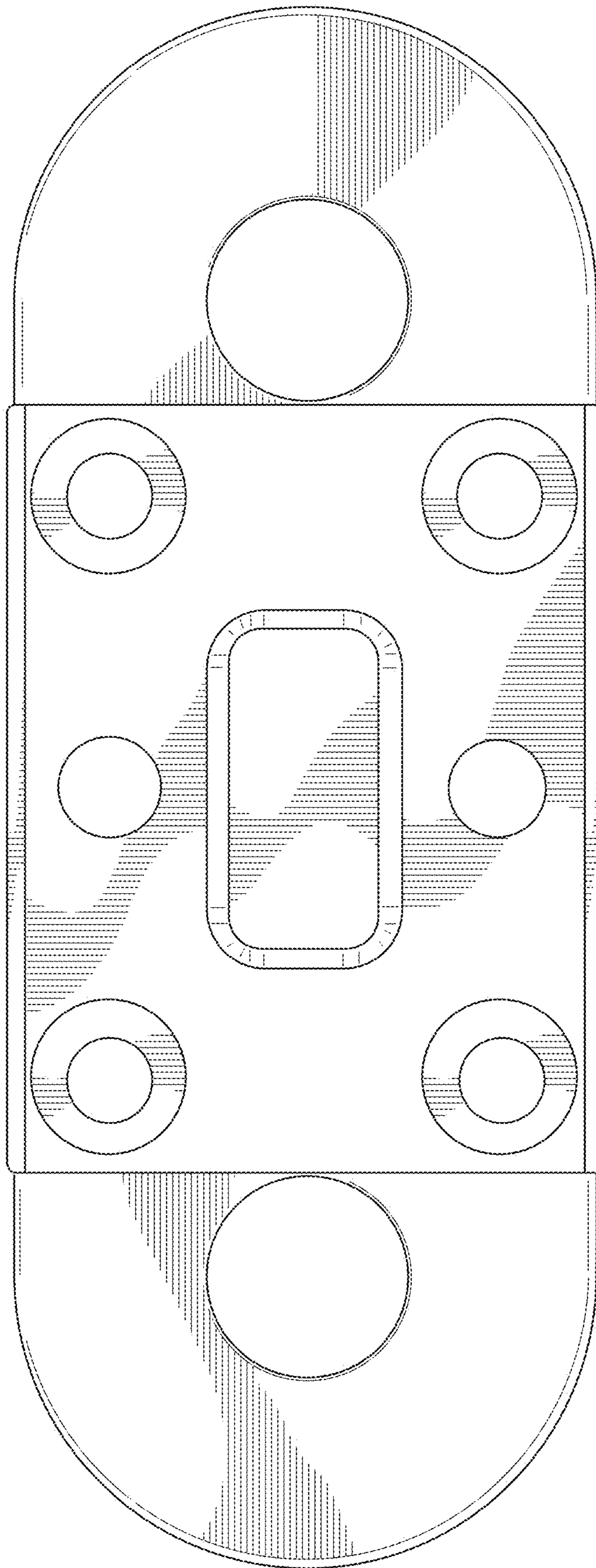


FIG. 3

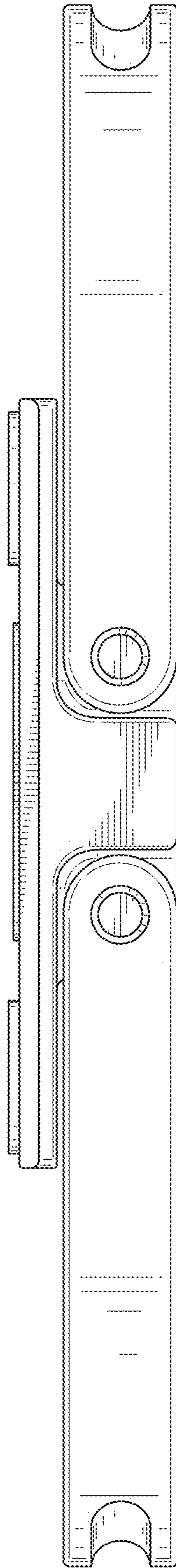


FIG. 4

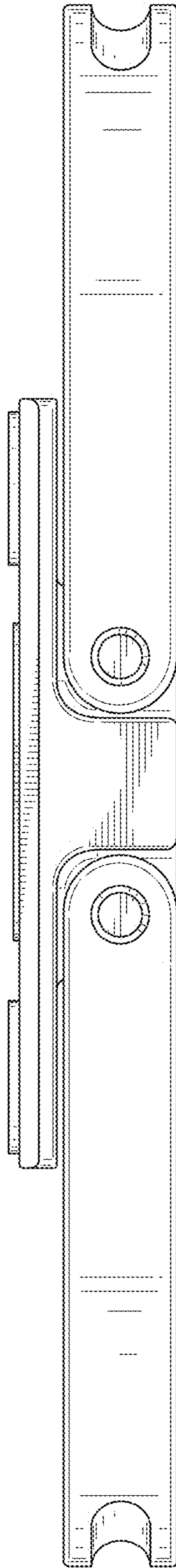


FIG. 5

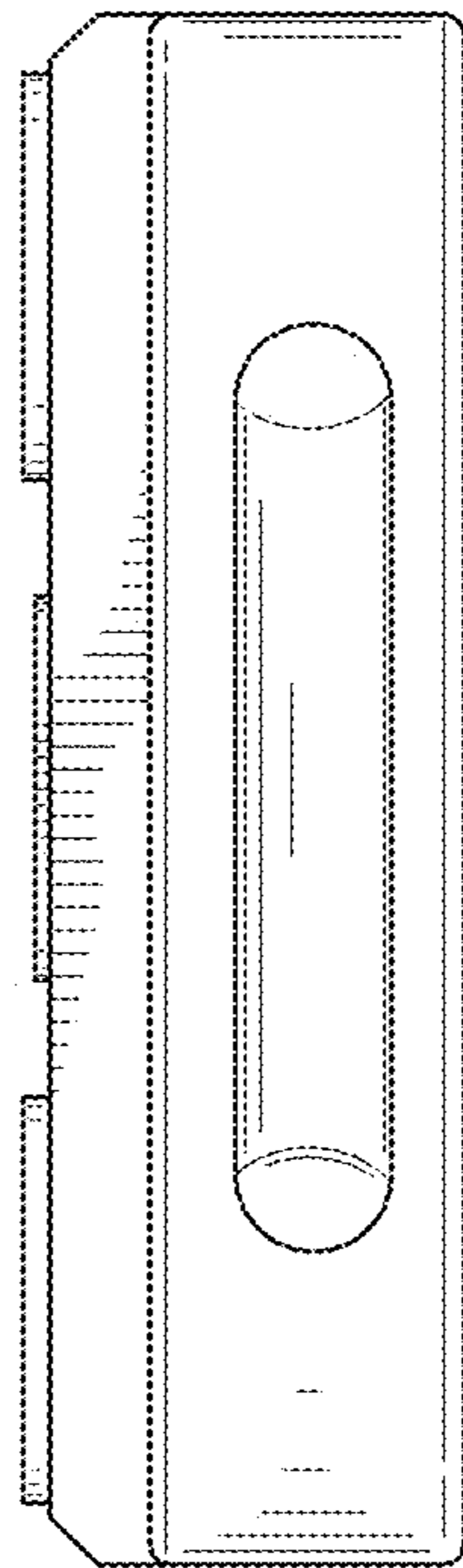


FIG. 6

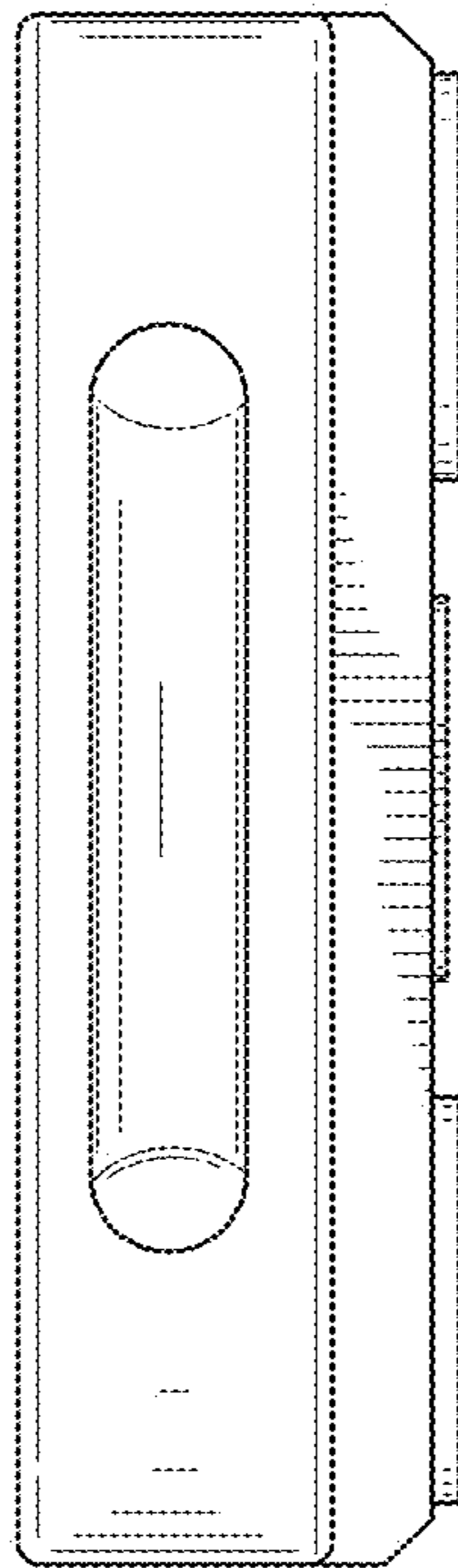


FIG. 7

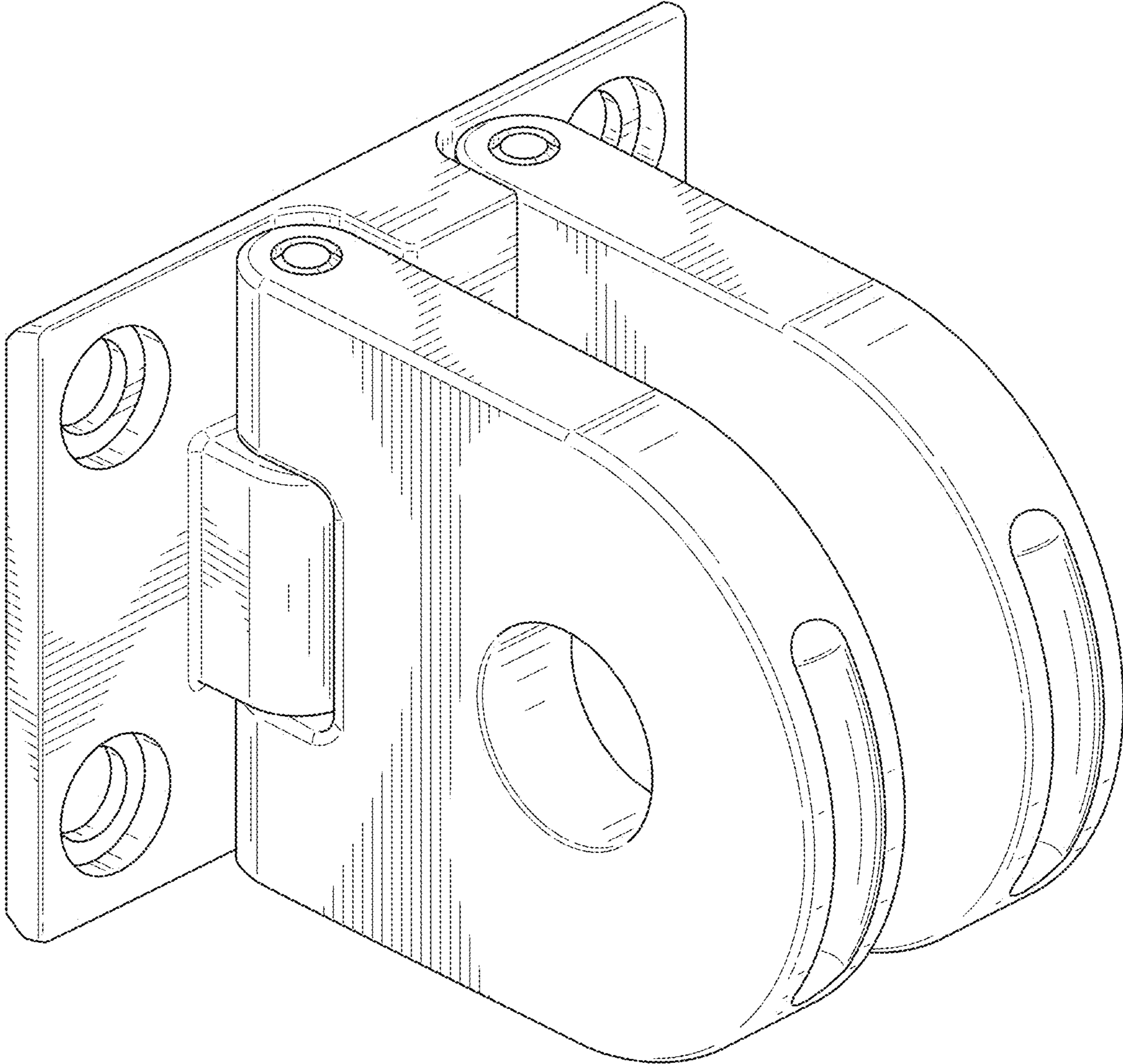


FIG. 8

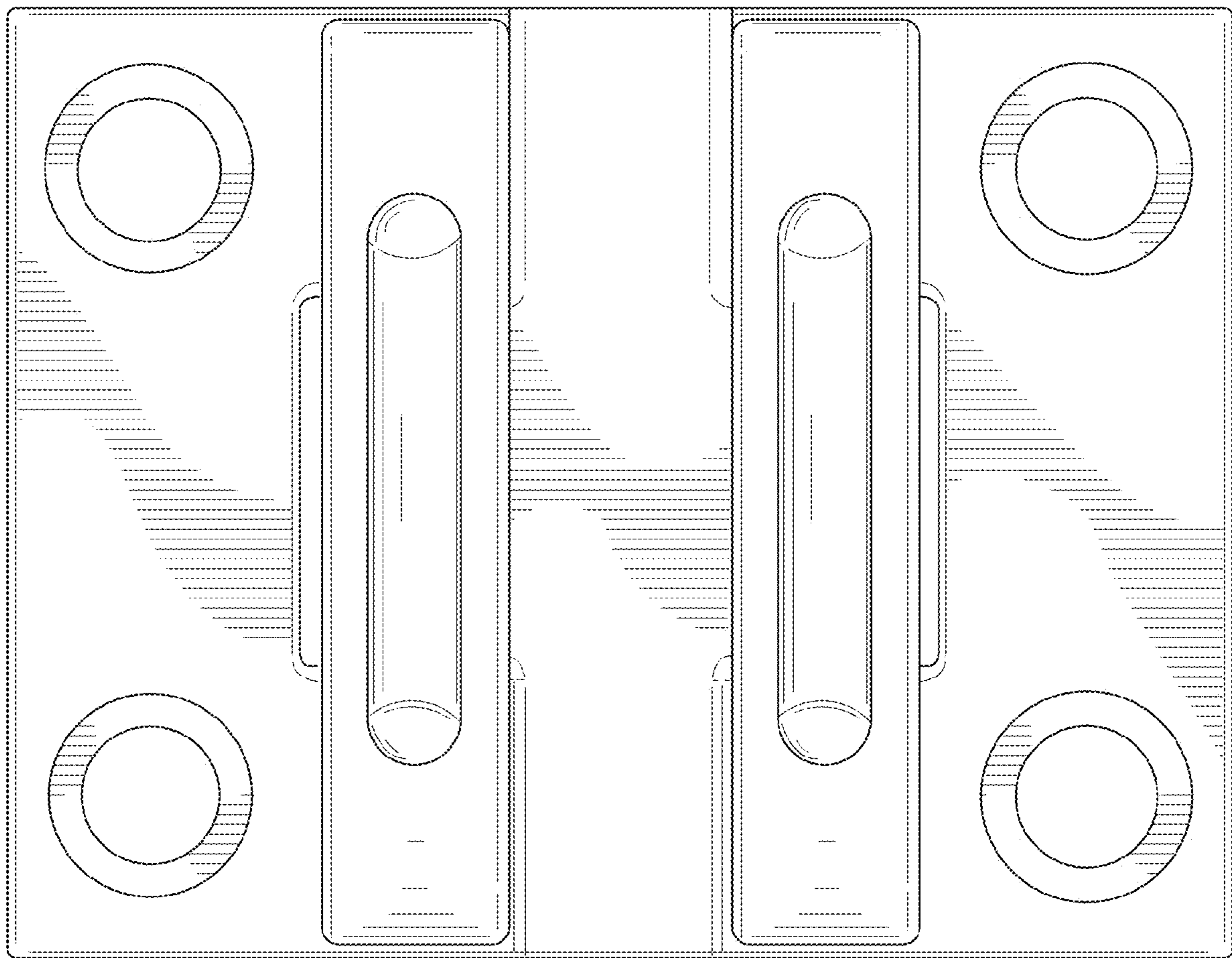


FIG. 9

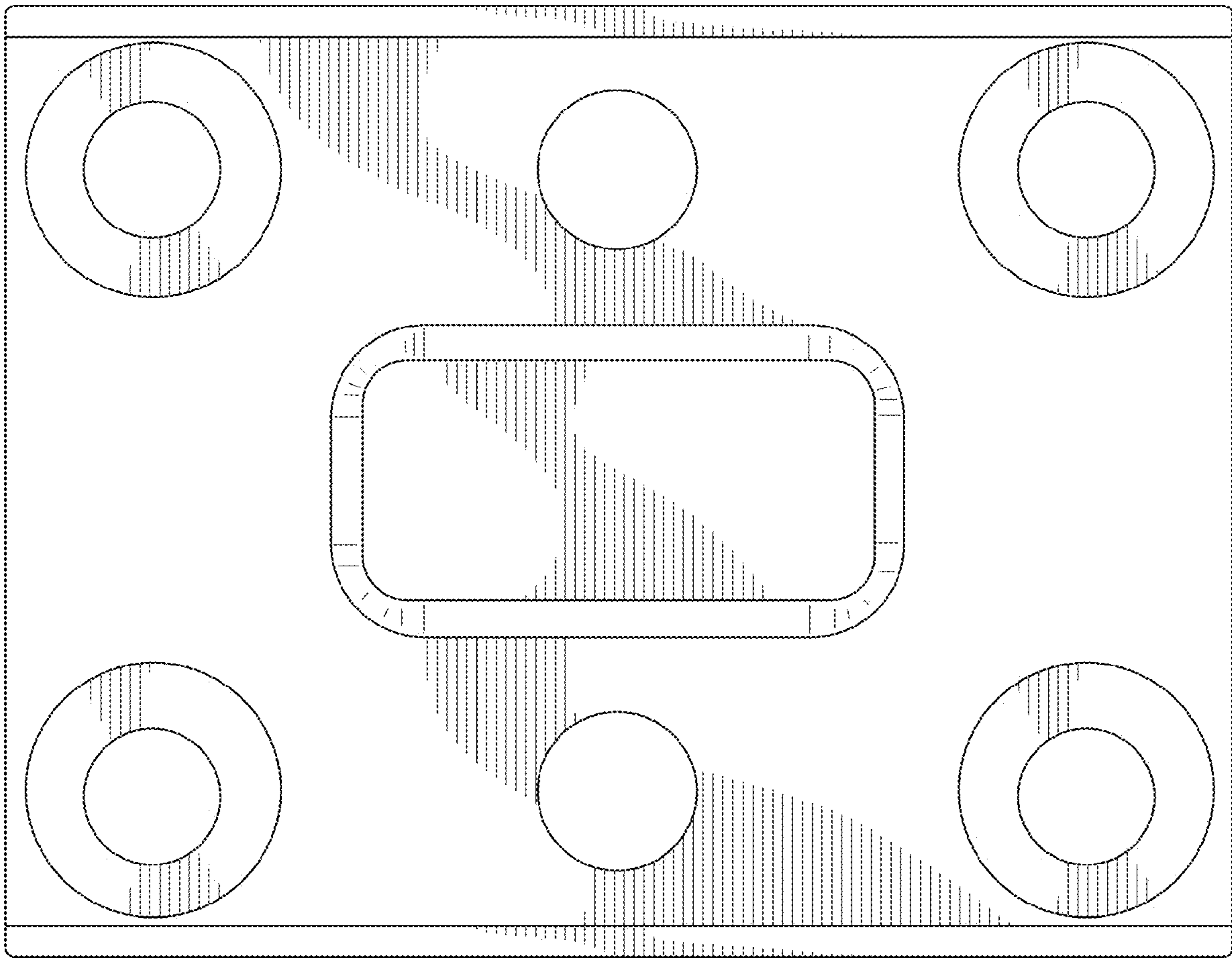


FIG. 10

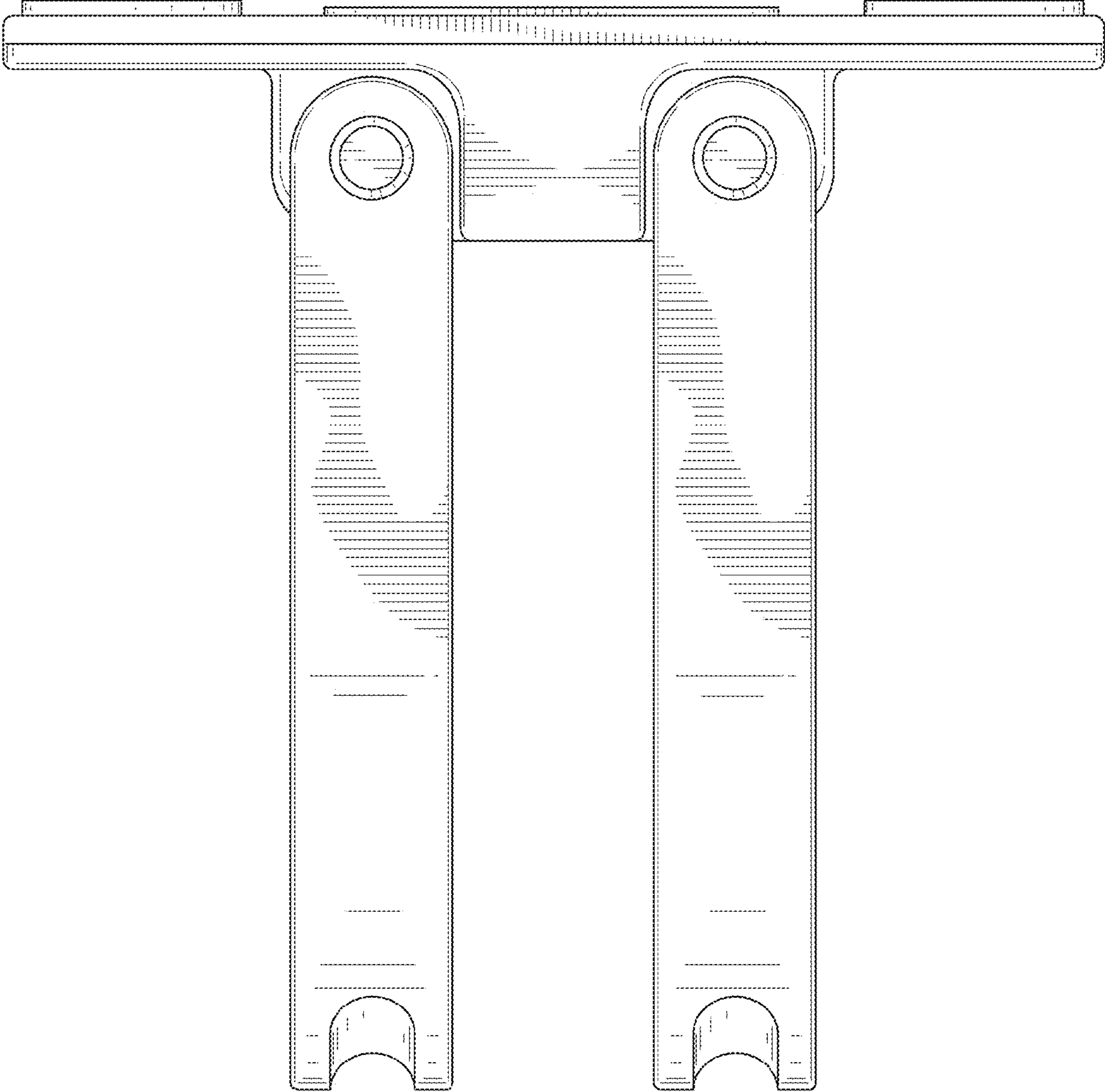


FIG. 11

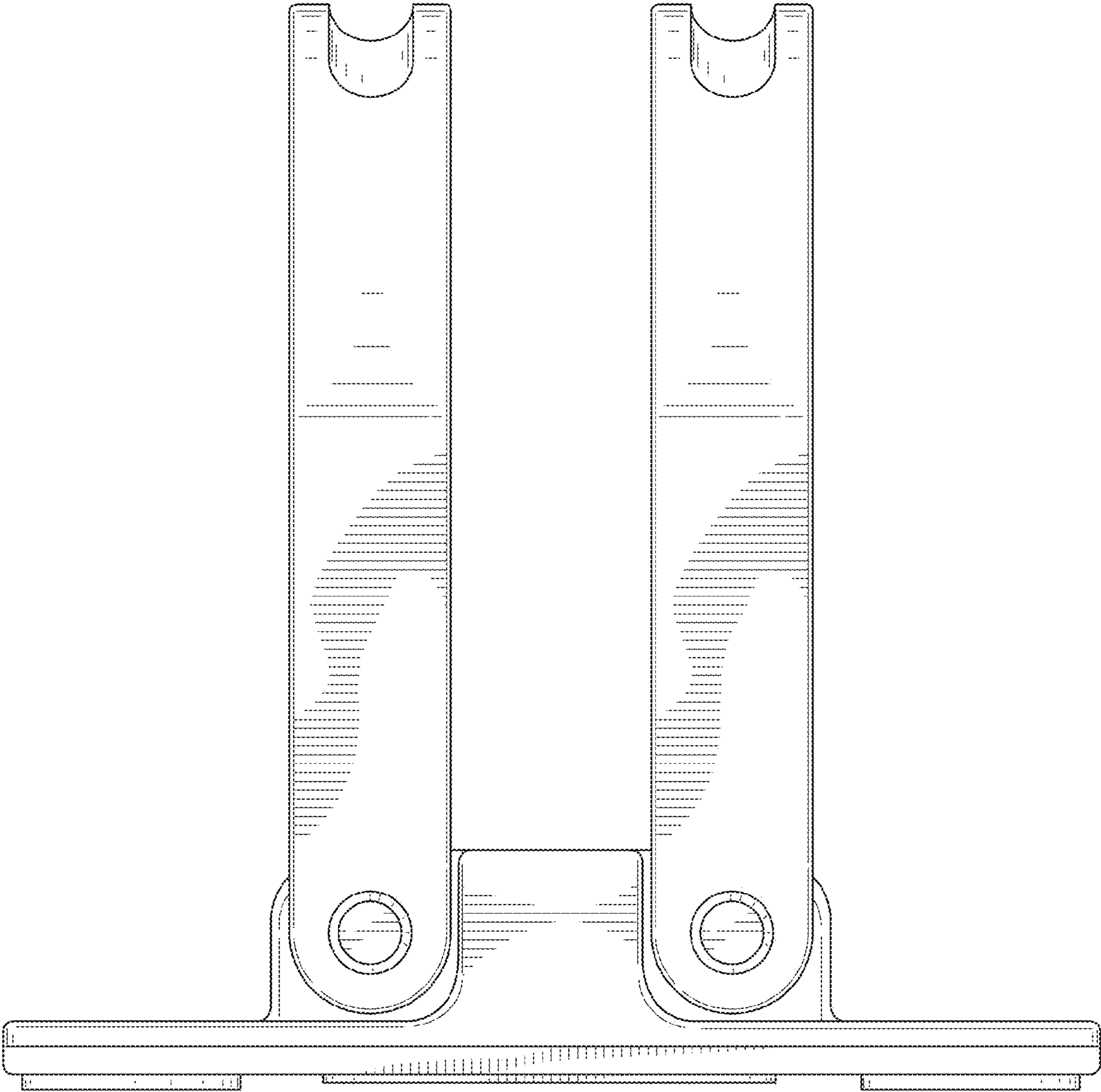


FIG. 12

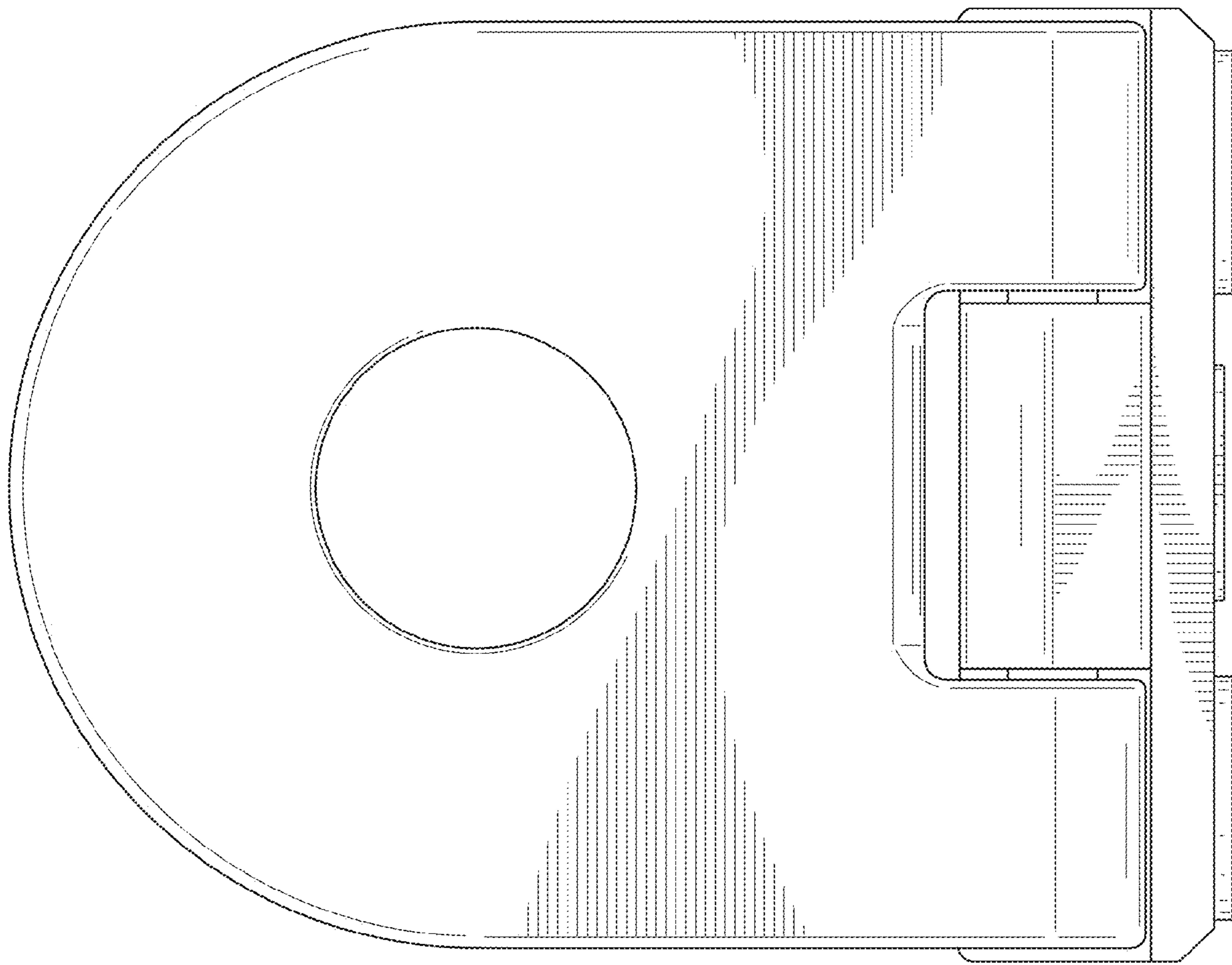


FIG. 13

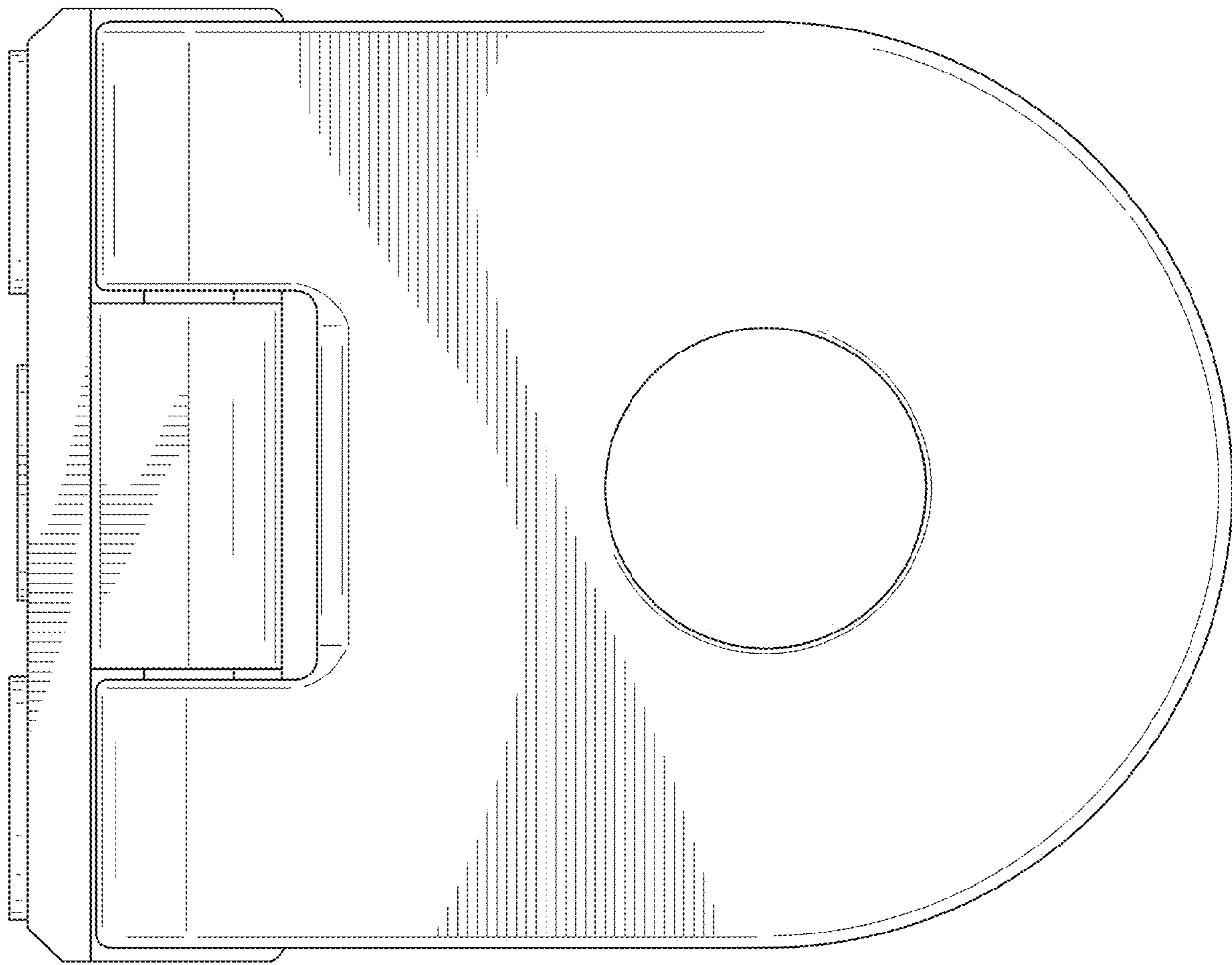


FIG. 14