



US00D894254S

(12) **United States Design Patent** (10) **Patent No.:** **US D894,254 S**  
**Tanaka et al.** (45) **Date of Patent:** **\*\* Aug. 25, 2020**

(54) **PROJECTOR**

(71) Applicant: **FUJIFILM Corporation**, Tokyo (JP)

(72) Inventors: **Kunihiko Tanaka**, Saitama (JP); **Koji Yoshida**, Saitama (JP)

(73) Assignee: **FUJIFILM Corporation**, Tokyo (JP)

(\*\*) Term: **15 Years**

(21) Appl. No.: **29/675,491**

(22) Filed: **Jan. 2, 2019**

(30) **Foreign Application Priority Data**

Jul. 13, 2018 (JP) ..... 2018-015538

(51) **LOC (12) Cl.** ..... **16-02**

(52) **U.S. Cl.**  
USPC ..... **D16/235**

(58) **Field of Classification Search**  
USPC ..... D16/221, 225, 229-231, 234-235, 217,  
D16/219, 203, 208; D21/514; 353/101,  
353/119, 122

CPC .... G03B 21/00; G03B 21/001; G03B 21/003;  
G03B 21/12; G03B 21/14; G03B 21/142;  
G03B 21/145; G03B 21/16; G03B 21/54;  
G03B 21/58; G02B 13/0025

See application file for complete search history.

(56) **References Cited**

**U.S. PATENT DOCUMENTS**

6,604,831 B1 \* 8/2003 Prestigomo ..... G03B 21/145  
353/119  
D629,032 S \* 12/2010 Miyashita ..... D16/219  
D881,978 S \* 4/2020 Tanaka ..... D16/235

**FOREIGN PATENT DOCUMENTS**

JP 1611407 S 11/2018

**OTHER PUBLICATIONS**

An Office Action; "Notification," mailed by the Japanese Patent Office on Jun. 3, 2019, which corresponds to Japanese Design Application No. 2018-015538 and is related to Design U.S. Appl. No. 29/675,491; with English language translation.

FormZeitschriftfurGestaltung, vol. 152, p. 66, (Japan Patent Office, Design Division Official Gazette No. HB08003450), Publication date: Apr. 1995.

Liquid-Crystal Color Projector LCP5000, (Feb. 2, 1993), p. 4, LCP5000, (Japan Patent Office, Design Division Official Gazette No. HC05014352), Publication date: Feb. 28, 1993.

\* cited by examiner

*Primary Examiner* — Wan Laymon

(74) *Attorney, Agent, or Firm* — Studebaker & Brackett PC

(57) **CLAIM**

The ornamental design for a projector, as shown and described.

**DESCRIPTION**

FIG. 1 is a top left perspective view of a projector showing our new design;

FIG. 2 is a front view thereof;

FIG. 3 is a rear view thereof;

FIG. 4 is a top plan view thereof;

FIG. 5 is a bottom plan view thereof;

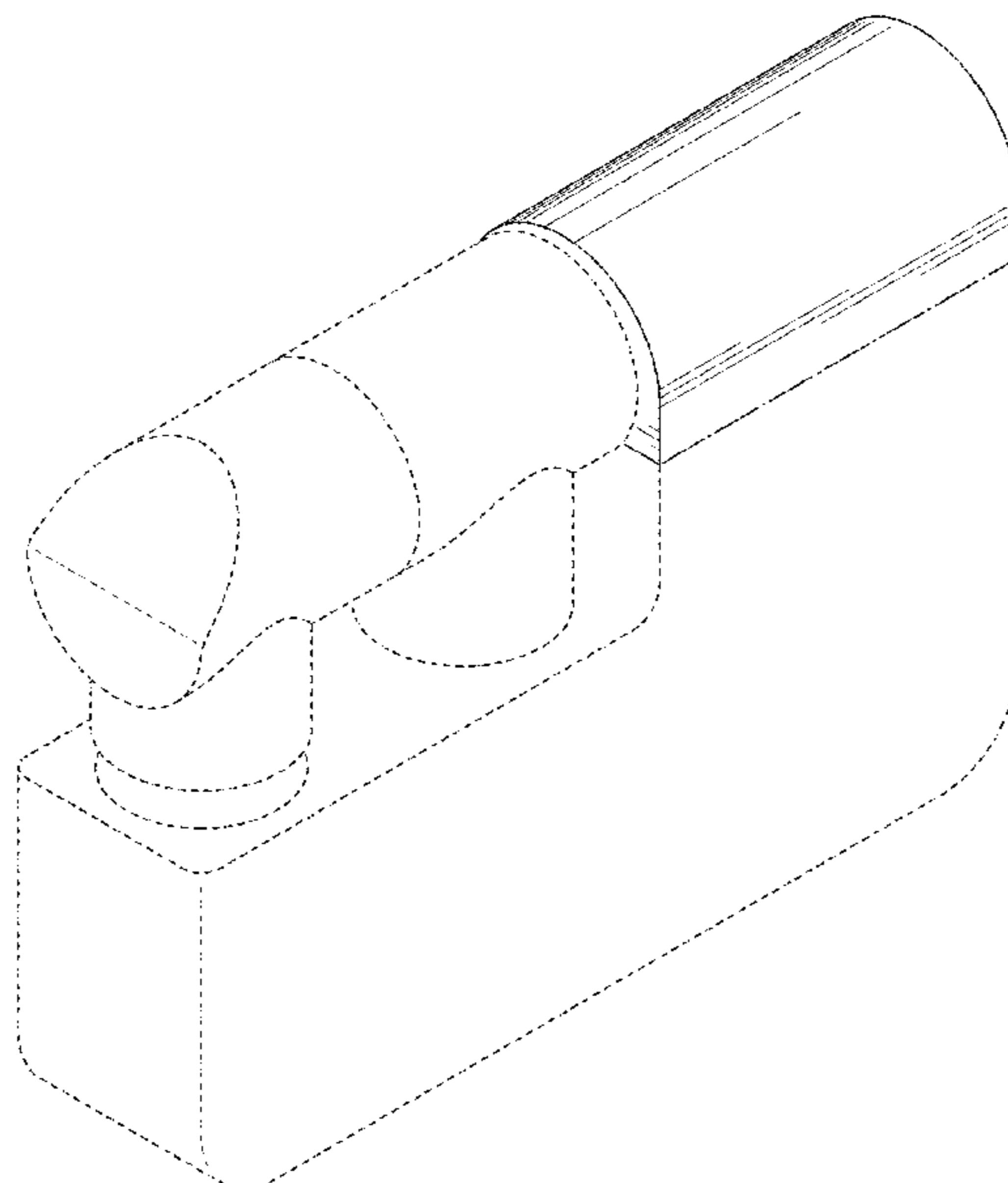
FIG. 6 is a right side view thereof; and,

FIG. 7 is a left side view thereof.

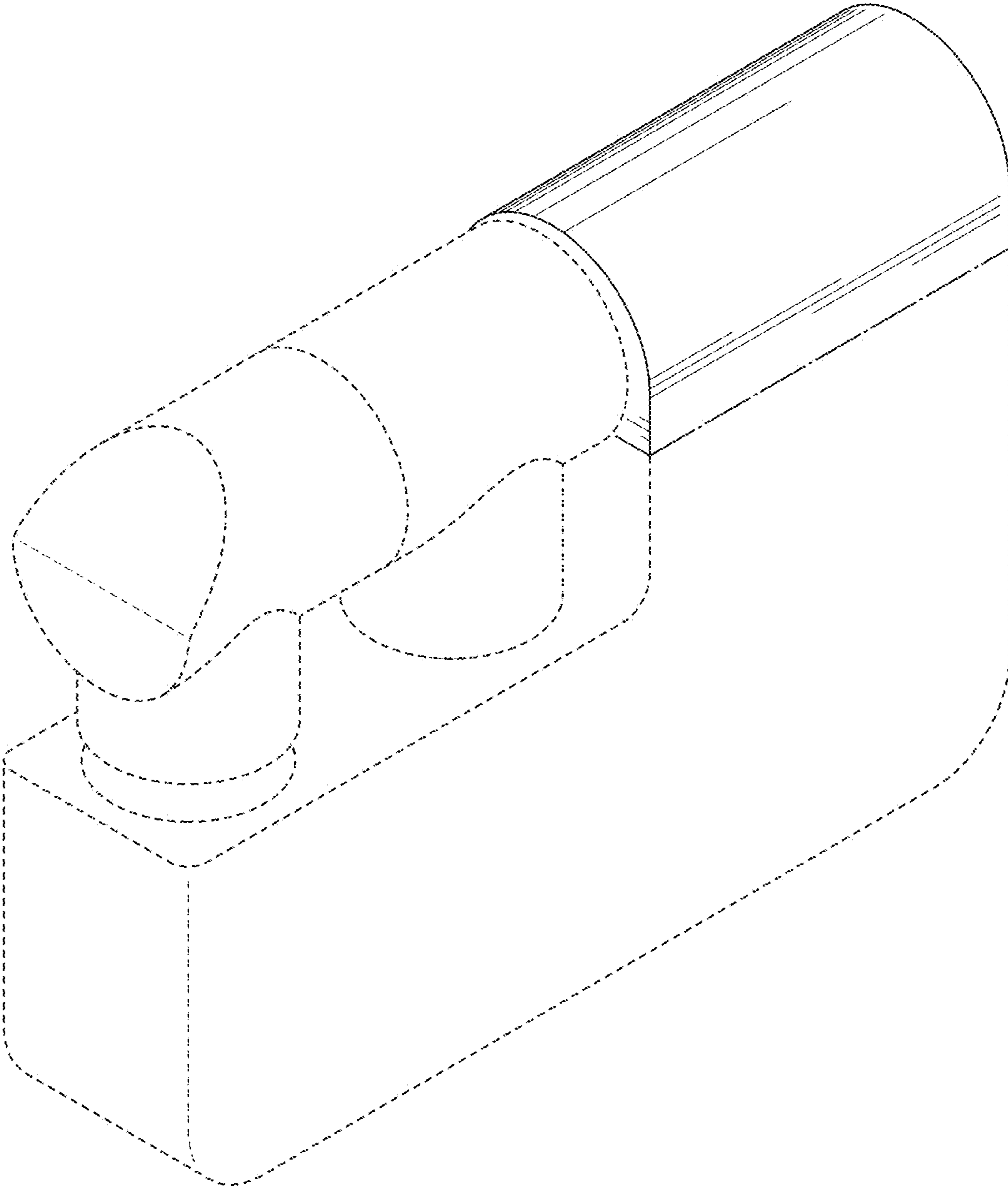
The broken lines illustrate portions of the projector and form no part of the claimed design.

The dotted-dashed lines illustrate only the boundaries between the part for which design registration is sought as a partial design and the other part.

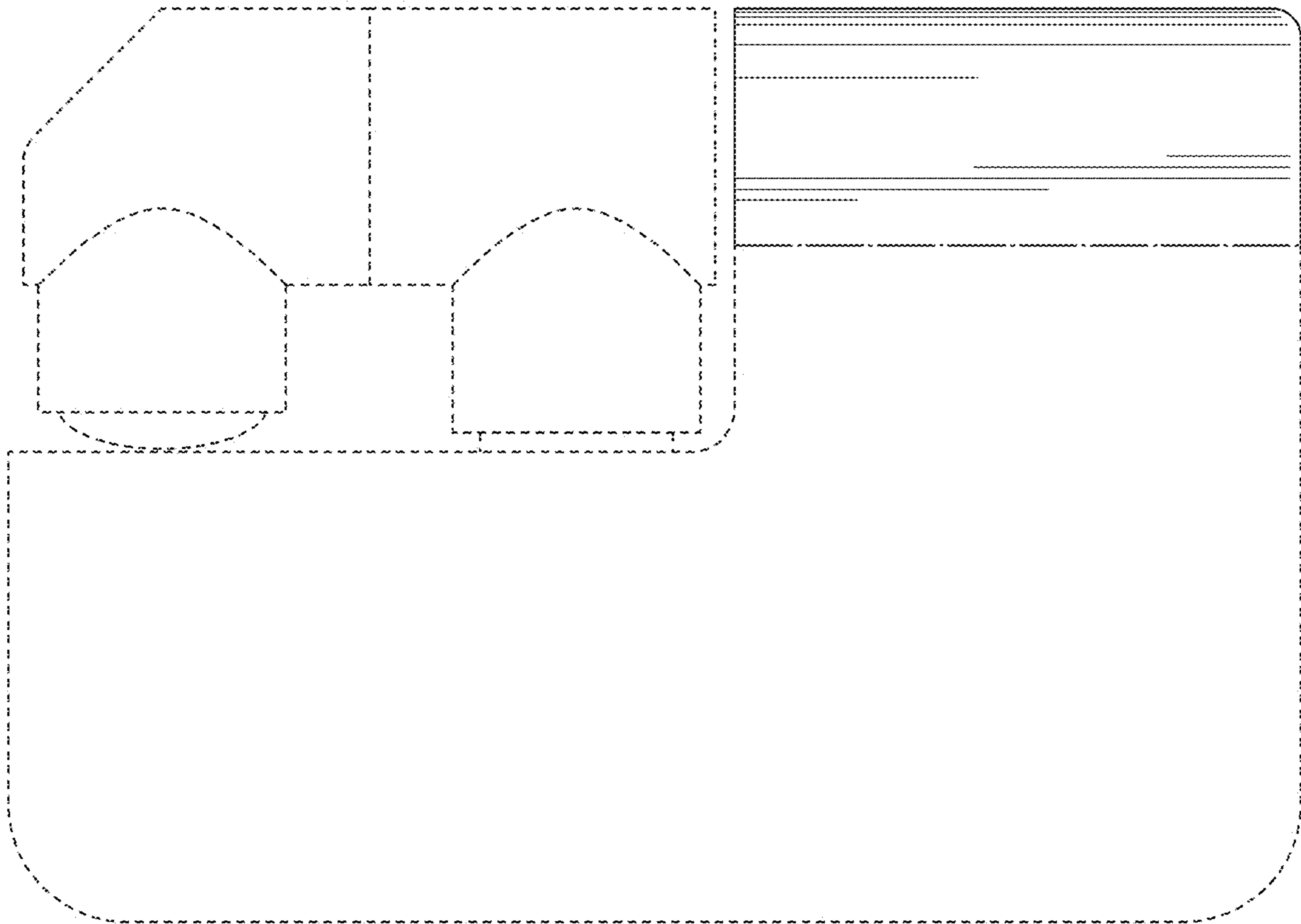
**1 Claim, 6 Drawing Sheets**



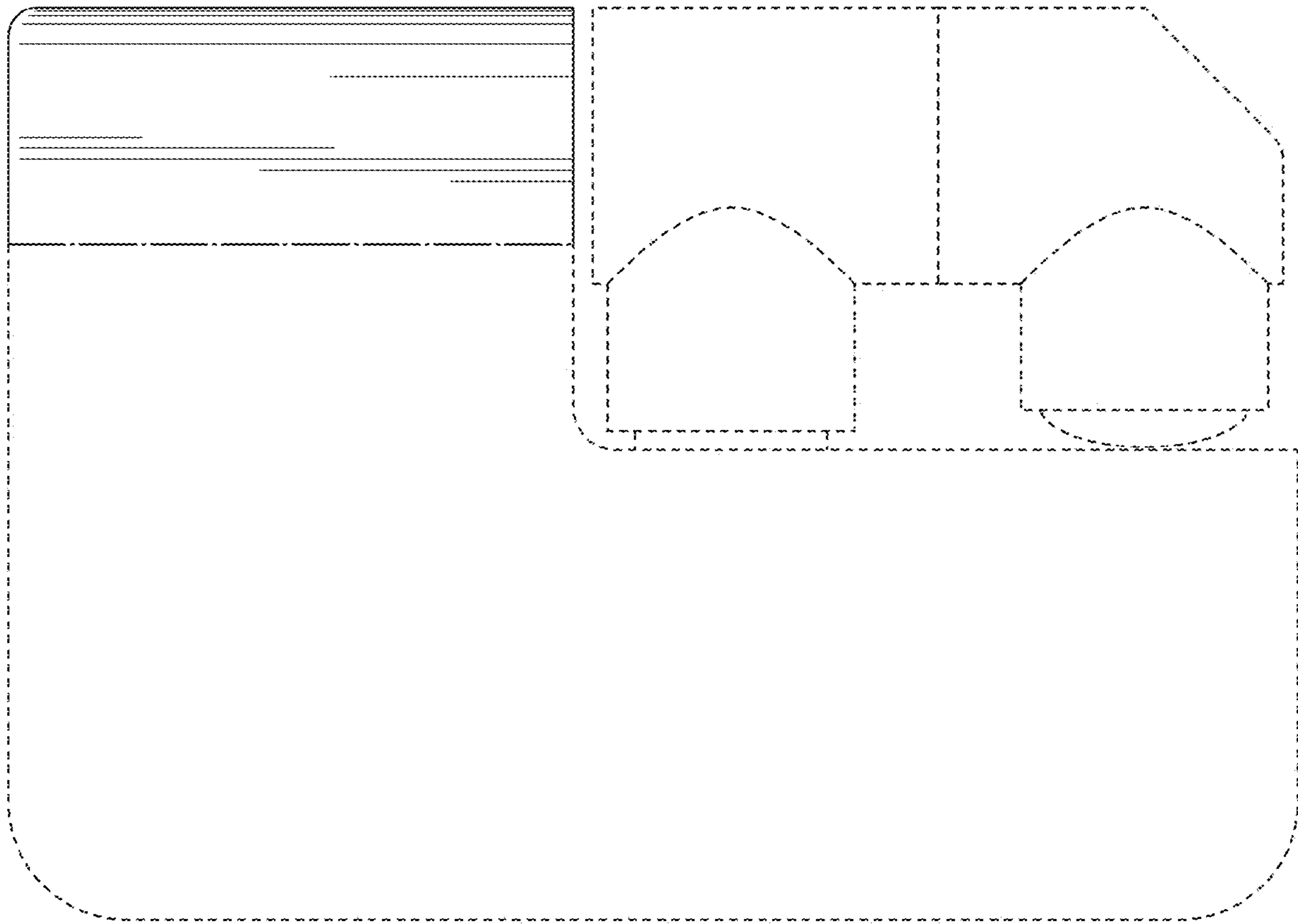
**FIG. 1**



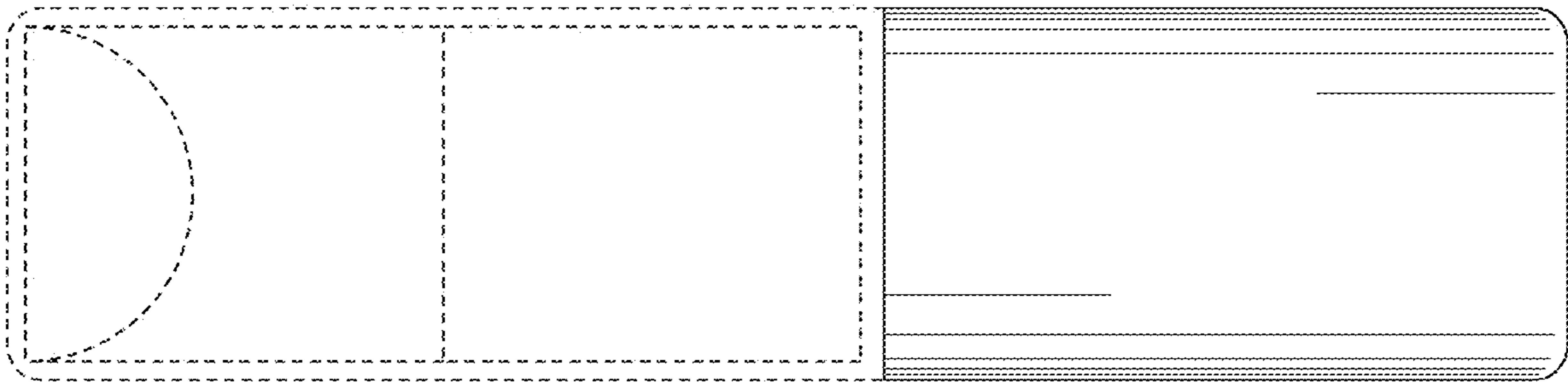
**FIG. 2**



**FIG. 3**



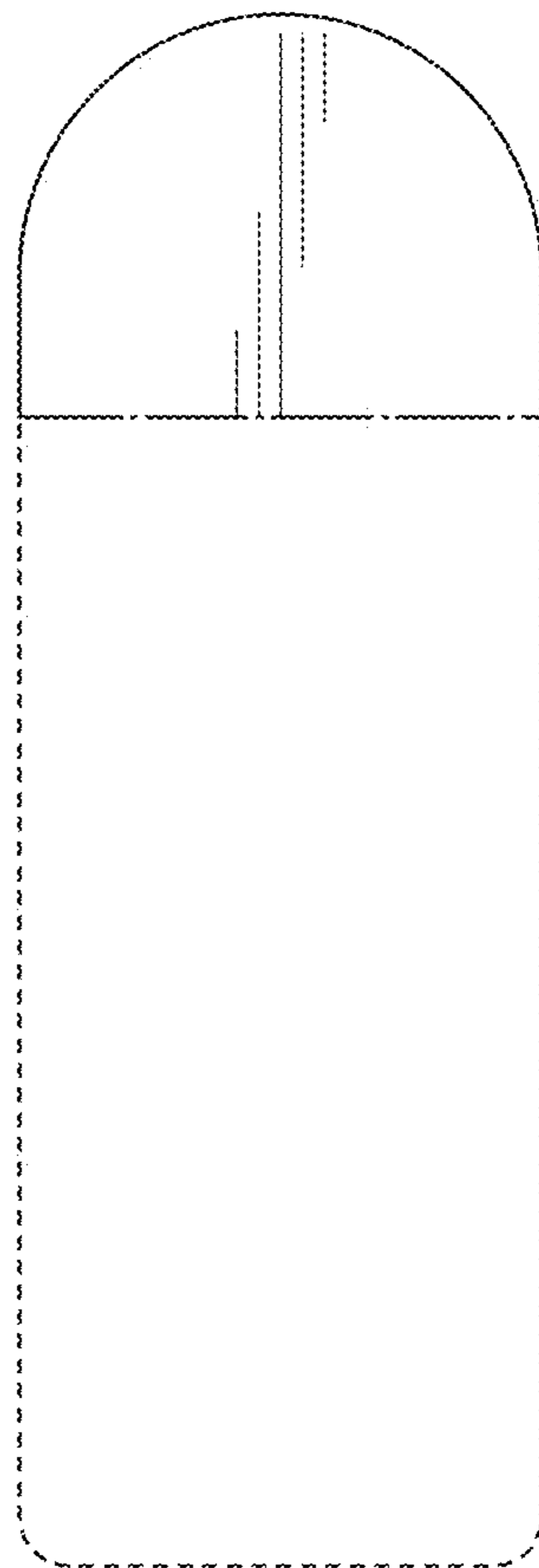
**FIG. 4**



**FIG. 5**



**FIG. 6**



**FIG. 7**

