

US00D894253S

(12) **United States Design Patent**
Hale

(10) **Patent No.:** **US D894,253 S**

(45) **Date of Patent:** **** Aug. 25, 2020**

- (54) **WIRELESS SPOOL CAMERA**
- (71) Applicant: **David Hale**, Somerset, WI (US)
- (72) Inventor: **David Hale**, Somerset, WI (US)
- (**) Term: **15 Years**
- (21) Appl. No.: **29/649,241**
- (22) Filed: **May 29, 2018**
- (51) **LOC (12) Cl.** **16-01**
- (52) **U.S. Cl.**
USPC **D16/208**; D16/200; D14/484
- (58) **Field of Classification Search**
USPC D16/200, 202, 208, 216, 217, 218, 219;
D22/137; D8/358, 359; D3/24;
D23/499; D14/484
CPC G03B 15/03; G03B 15/05; G03B 17/00;
G03B 17/02; G03B 17/08; G03B 17/16;
G03B 19/00; G03B 19/02; G03B 19/20;
G03B 19/22; H04N 5/2251; H04N
5/2252; H04N 5/2253; H04N 5/332;
H04N 5/33; H04N 7/18; H04N 7/183;
H04N 2005/2255; H02G 11/006; H02G
11/00; H02G 11/003; H02G 11/02; G02B
23/24; G02B 23/2407; G02B 23/2469;
G02B 23/2476; G02B 23/2484
See application file for complete search history.

- D292,669 S * 11/1987 Fomby D8/359
- 4,901,142 A * 2/1990 Ikuno A61B 1/05
348/69
- D320,926 S * 10/1991 Fanning D8/359
- D351,521 S * 10/1994 Knight, III D6/541
- D353,643 S * 12/1994 Shipley D22/137
- D355,111 S * 2/1995 Janssen D8/359
- D362,797 S * 10/1995 Caracciolo D8/359
- D387,062 S * 12/1997 Heine D10/72
- D390,624 S * 2/1998 Yamaguchi D22/137

(Continued)

Primary Examiner — Sandra S Snapp
Assistant Examiner — Ieisha N Price
 (74) *Attorney, Agent, or Firm* — Skinner and Associates;
 Joel D. Skinner, Jr.

(57) **CLAIM**

The ornamental design for a wireless spool camera, as shown and described.

DESCRIPTION

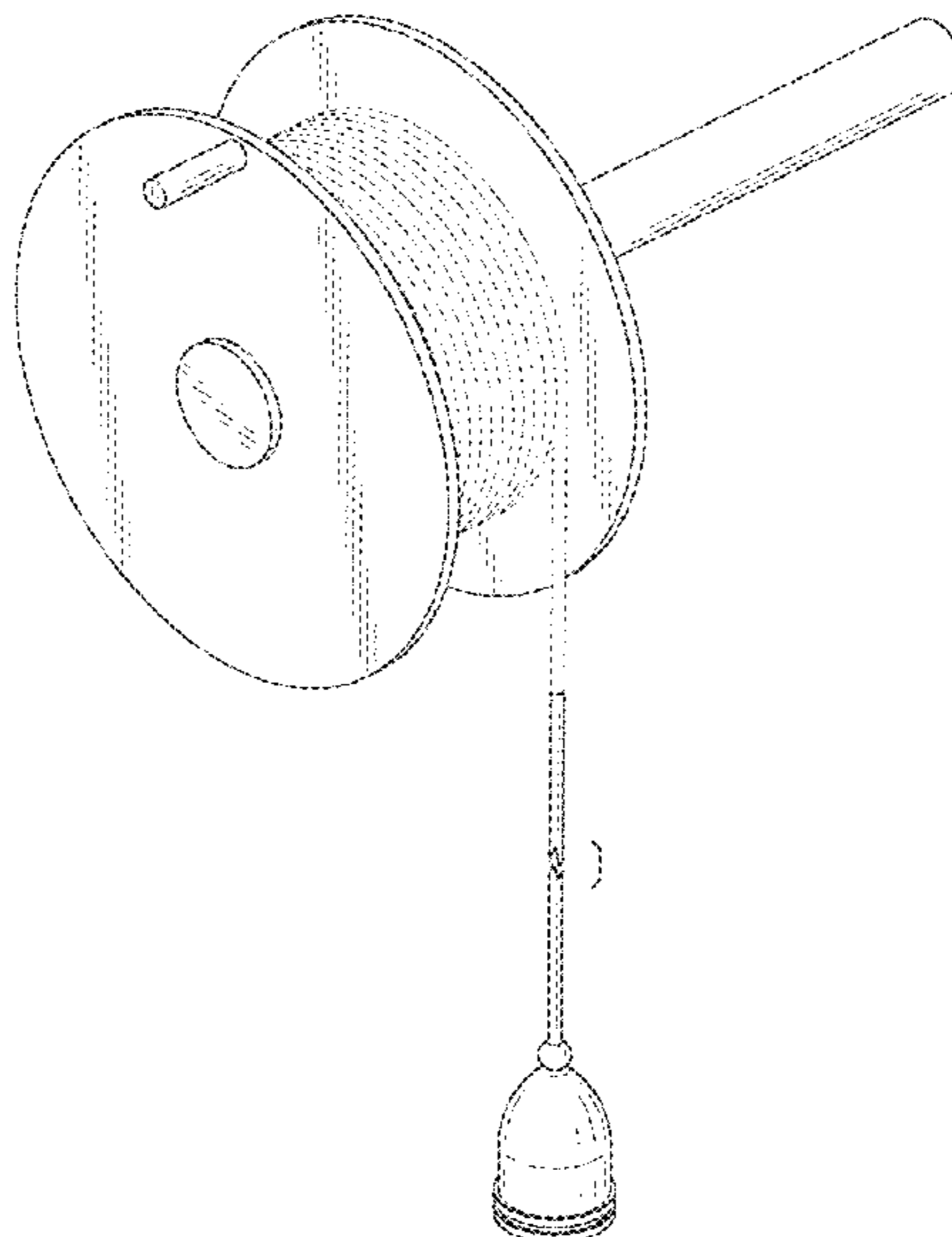
FIG. 1 is a perspective view of a wireless spool camera showing the design of the invention.
 FIG. 2 is a side view thereof.
 FIG. 3 is an opposite side view thereof.
 FIG. 4 is a front view thereof.
 FIG. 5 is a rear view thereof.
 FIG. 6 is a top view thereof.
 FIG. 7 is a bottom view thereof; and,
 FIG. 8 is another perspective view thereof, showing the wireless spool camera in use.
 The broken line showing of a person in FIG. 8 illustrates the environment of the claimed design and forms no part thereof. The remaining broken lines in the drawings illustrate portions of the wireless spool camera and form no part of the claimed design.
 The wireless spool camera is shown with a symbolic break in its length. The appearance of any portion of the article between the break lines forms no part of the claimed design.

1 Claim, 7 Drawing Sheets

(56) **References Cited**

U.S. PATENT DOCUMENTS

- 823,931 A * 6/1906 Connell B65H 75/406
242/407
- D194,753 S * 3/1963 Haller D8/359
- 3,357,654 A * 12/1967 Elliott A63H 27/002
242/405.3
- 3,731,887 A * 5/1973 Wheeler B63B 35/816
242/405.3
- 4,685,243 A * 8/1987 Pugh A01K 91/18
43/57.3



(56)

References Cited

U.S. PATENT DOCUMENTS

D393,409 S * 4/1998 Azzarello D8/356
 D434,970 S * 12/2000 Wang D8/359
 D458,113 S * 6/2002 Yang D8/358
 6,847,394 B1 * 1/2005 Hansen H04N 7/18
 348/82
 D538,631 S * 3/2007 Tabor D8/359
 D579,887 S * 11/2008 Yamane D14/127
 D583,846 S * 12/2008 Yamane D14/125
 7,551,197 B2 * 6/2009 Penza F16K 7/10
 348/84
 D650,038 S * 12/2011 Combrowski D22/137
 D741,378 S * 10/2015 Yokoyama D15/72
 9,222,809 B1 * 12/2015 Olsson B65H 75/00
 D781,996 S * 3/2017 Niitsuma D22/137
 9,924,139 B2 * 3/2018 Olsson H04N 7/183
 D868,132 S * 11/2019 Lee D16/218
 2011/0273556 A1 * 11/2011 Lyons G02B 23/2484
 348/85
 2013/0284844 A1 * 10/2013 Holmberg B65H 75/38
 242/407

2014/0167766 A1 * 6/2014 Olsson G01V 3/165
 324/329
 2014/0204197 A1 * 7/2014 Olsson G03B 37/005
 348/84
 2014/0210989 A1 * 7/2014 Olsson H04N 5/232
 348/84
 2014/0320133 A1 * 10/2014 Olsson G01V 3/10
 324/329
 2014/0320631 A1 * 10/2014 Olsson G01N 21/954
 348/84
 2014/0346264 A1 * 11/2014 Yokoyama B65H 75/28
 242/118
 2015/0263469 A1 * 9/2015 Olsson H01R 39/08
 348/82
 2016/0173829 A1 * 6/2016 Olsson H01B 3/306
 348/84
 2017/0024872 A1 * 1/2017 Olsson G02B 23/2484
 2017/0318199 A1 * 11/2017 Fontana G03B 17/04
 2018/0015512 A1 * 1/2018 Lendi H04N 5/2253
 2018/0287362 A1 * 10/2018 Wells H02G 11/02

* cited by examiner

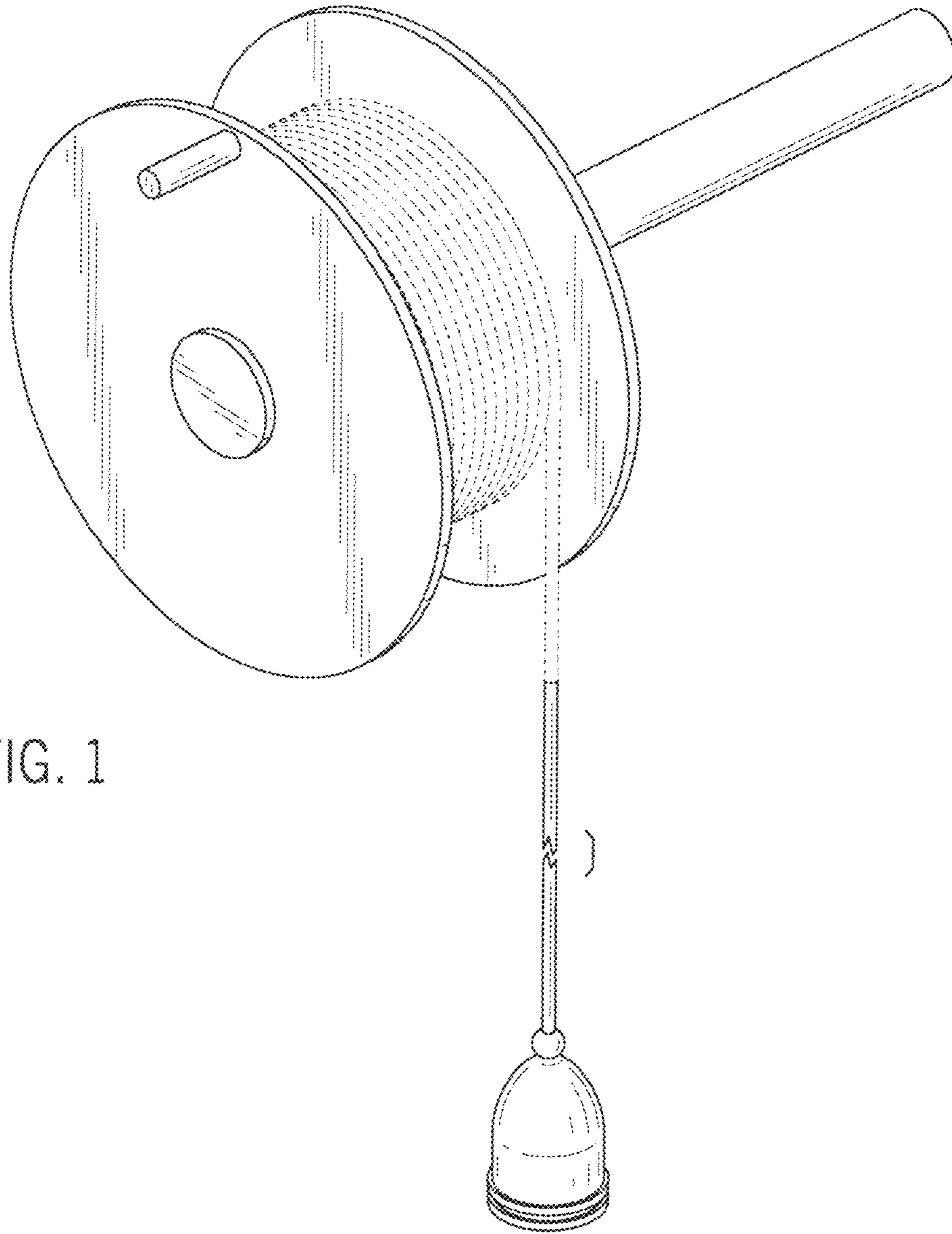


FIG. 1

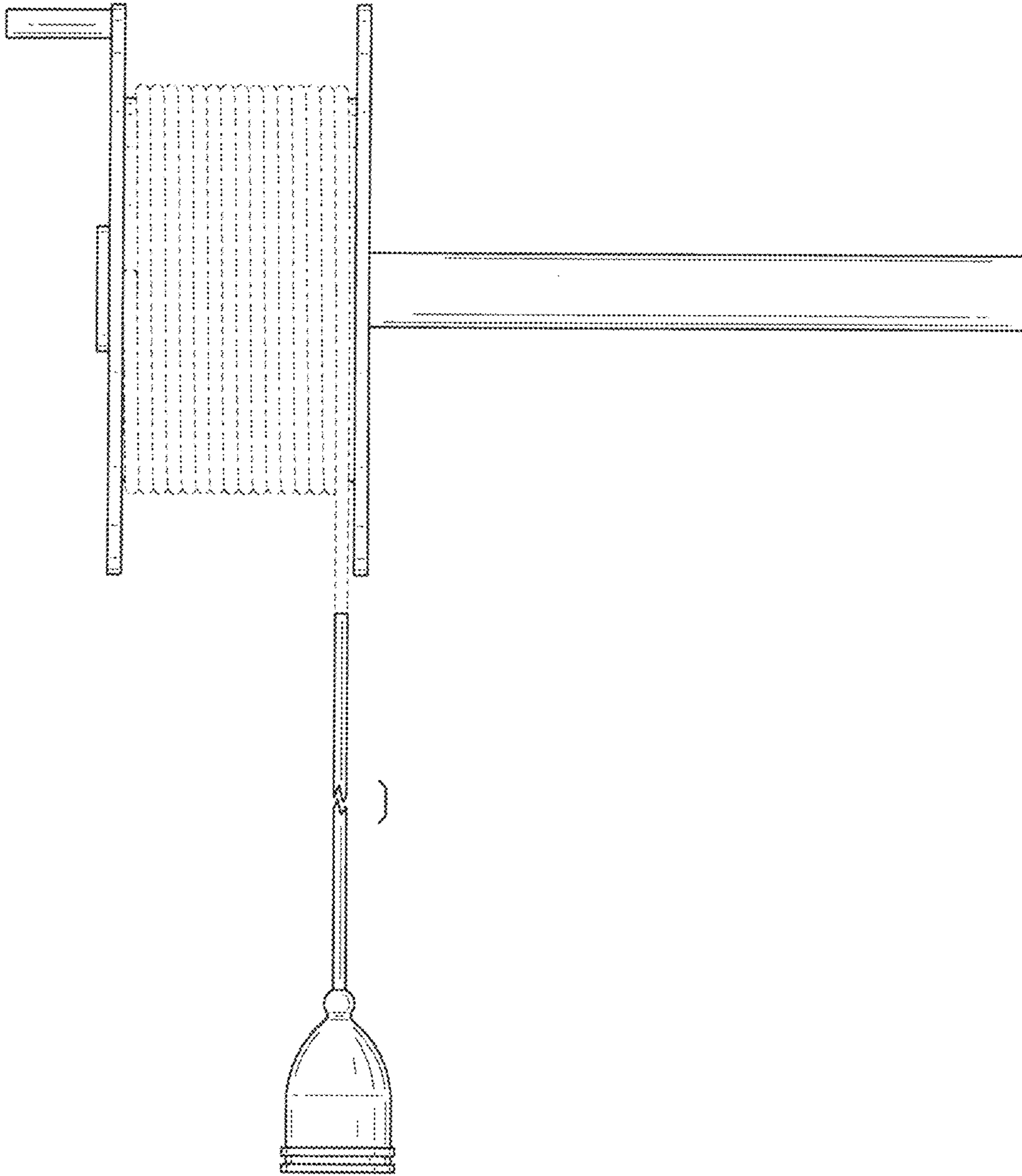


FIG. 2

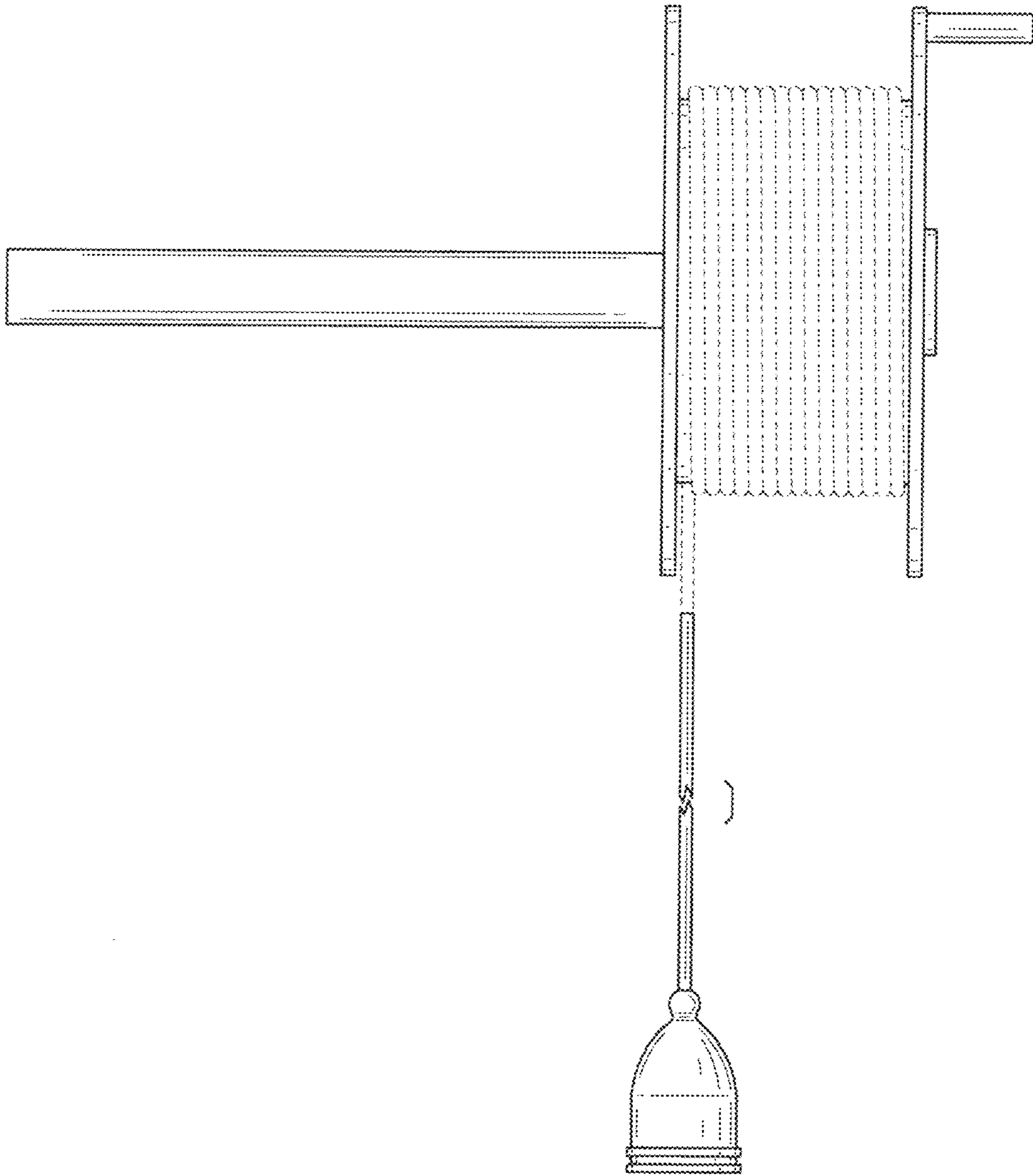


FIG. 3

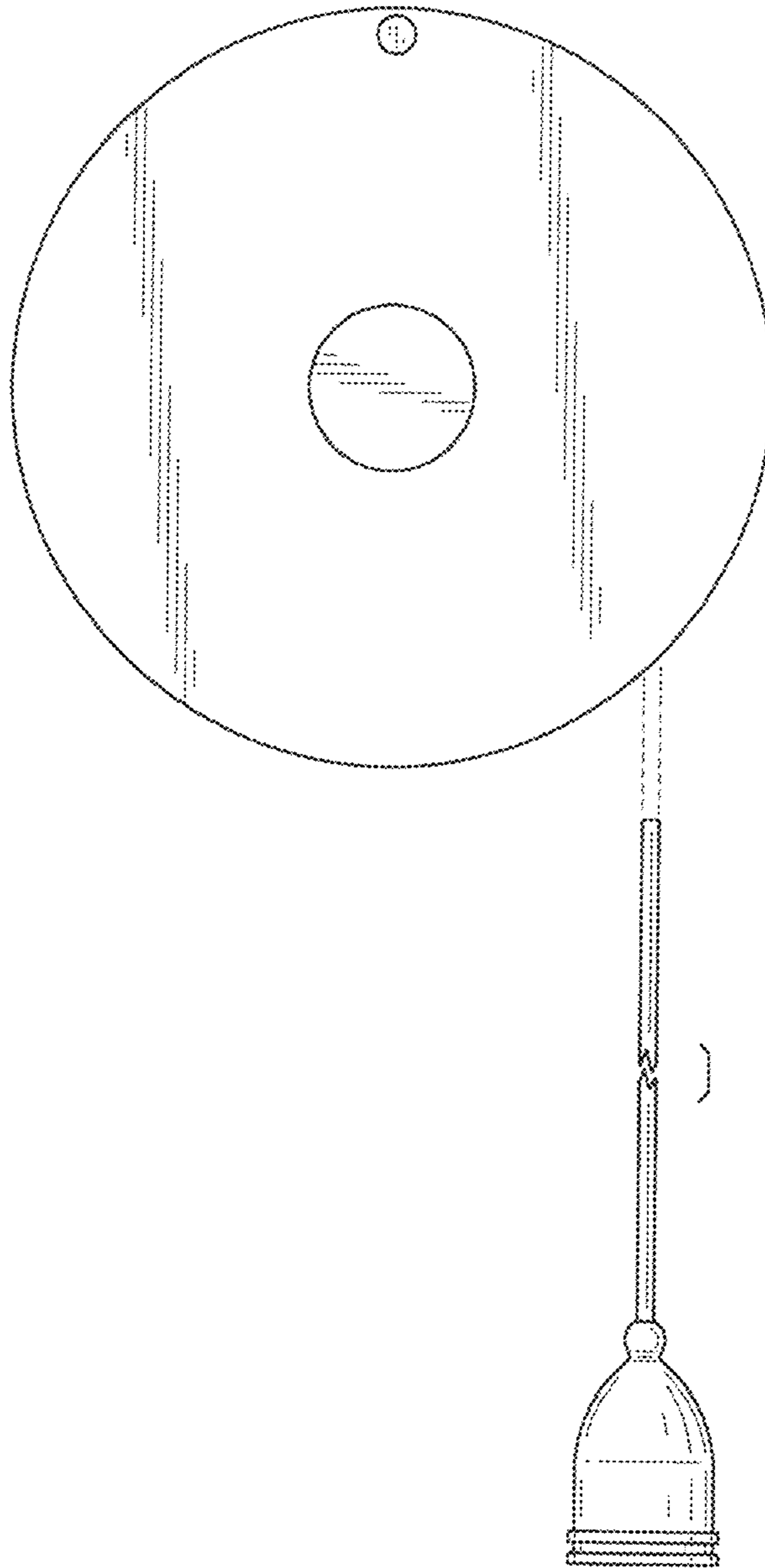


FIG. 4

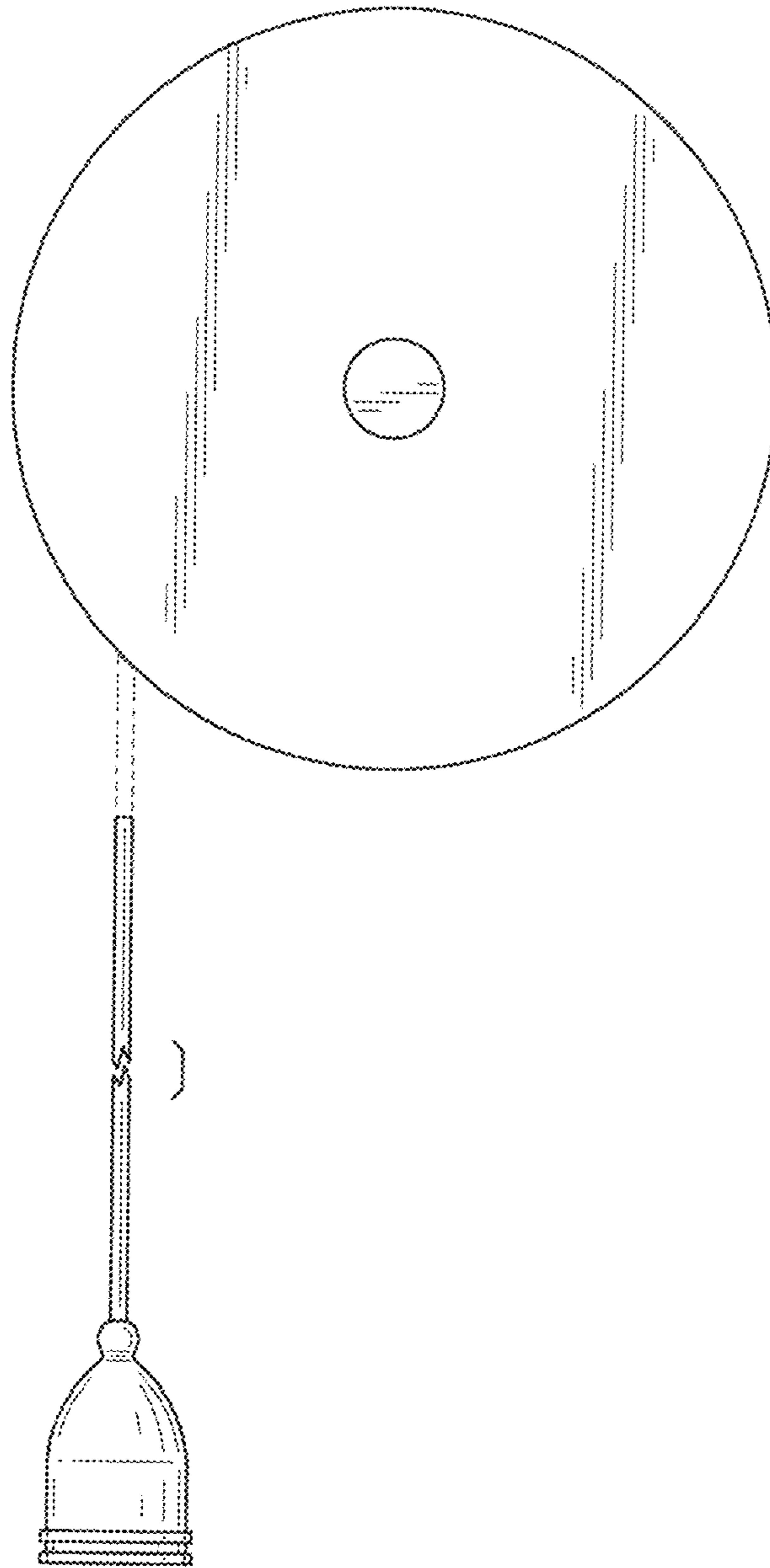


FIG. 5

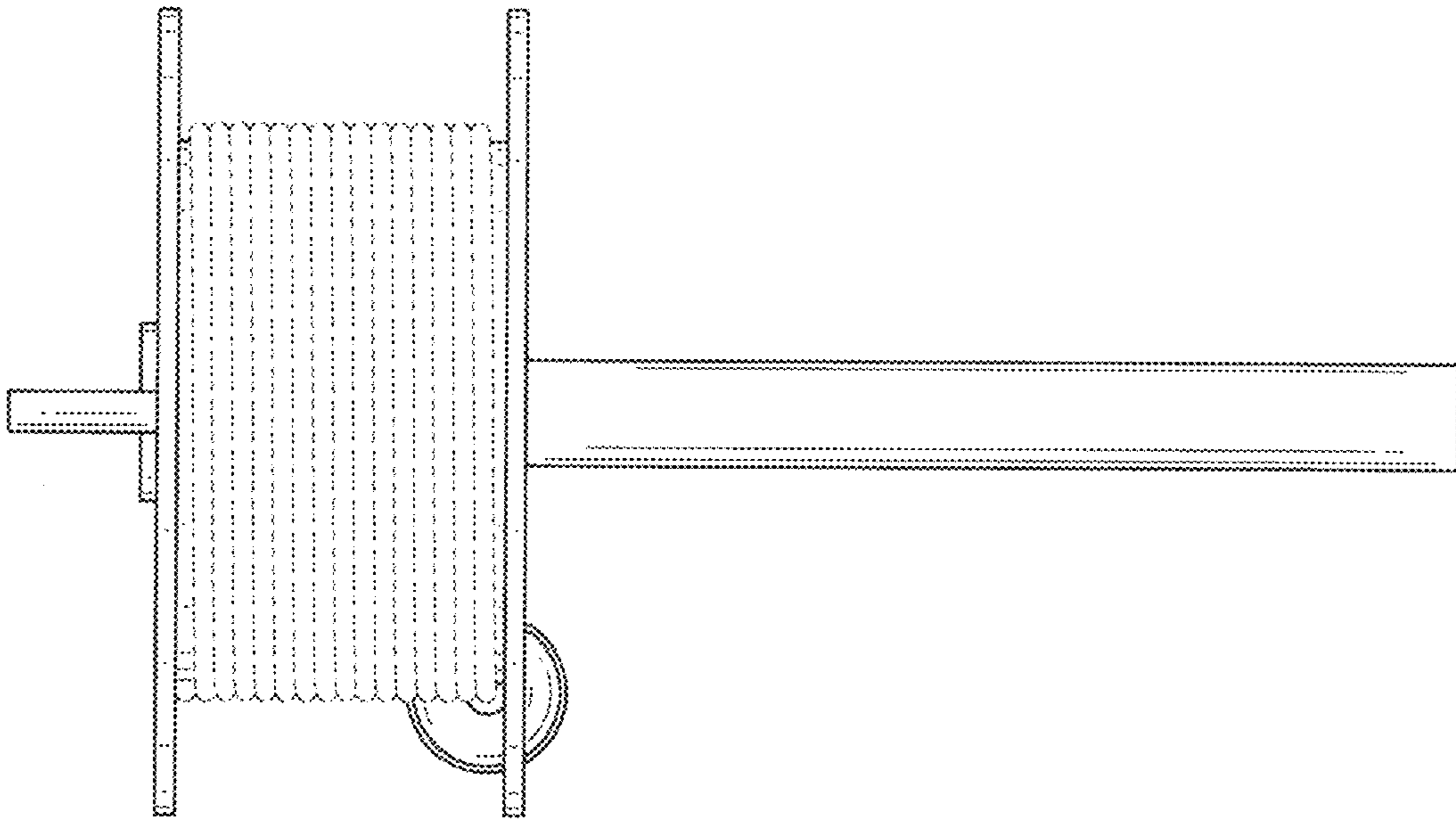


FIG. 6

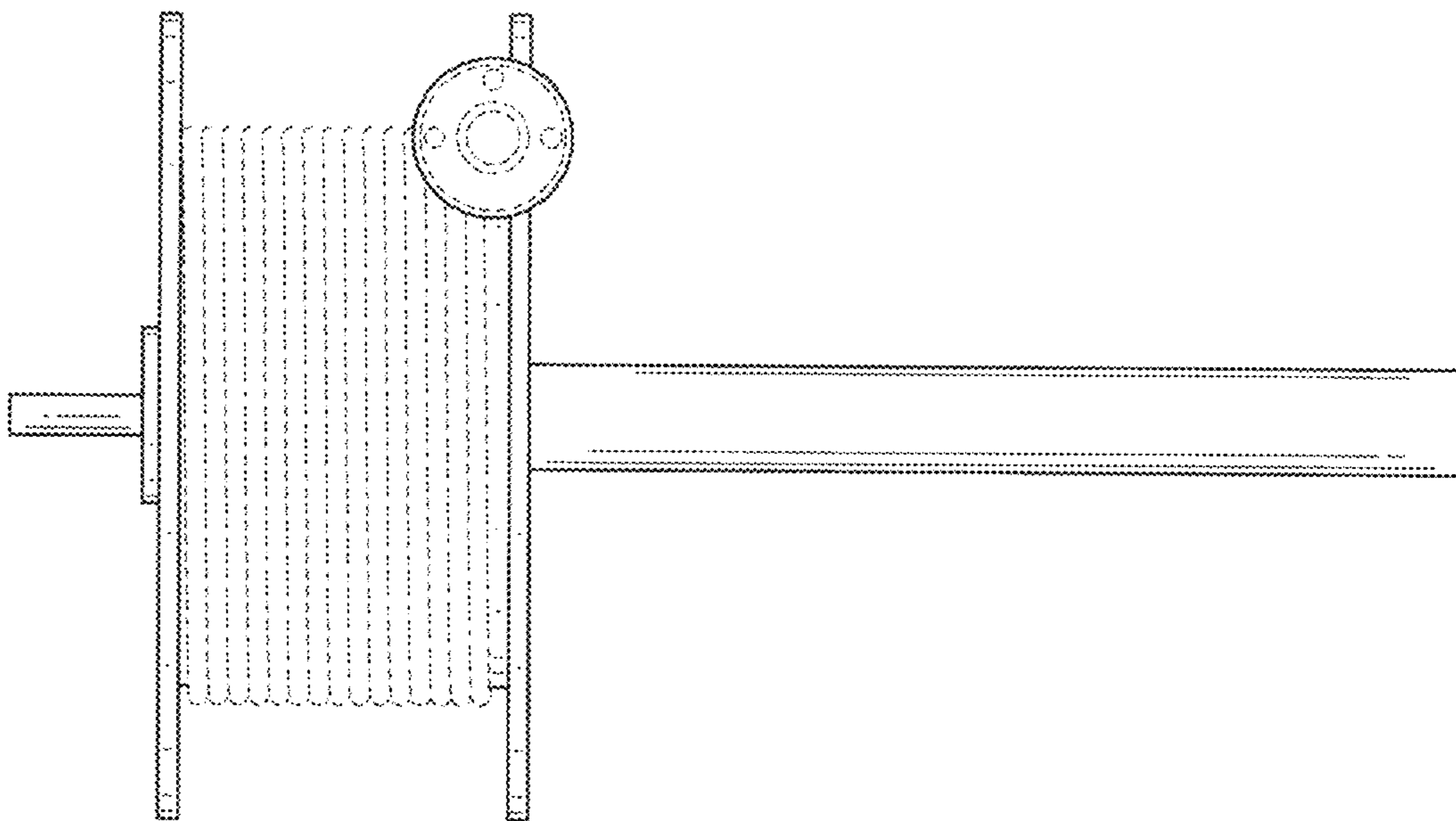


FIG. 7

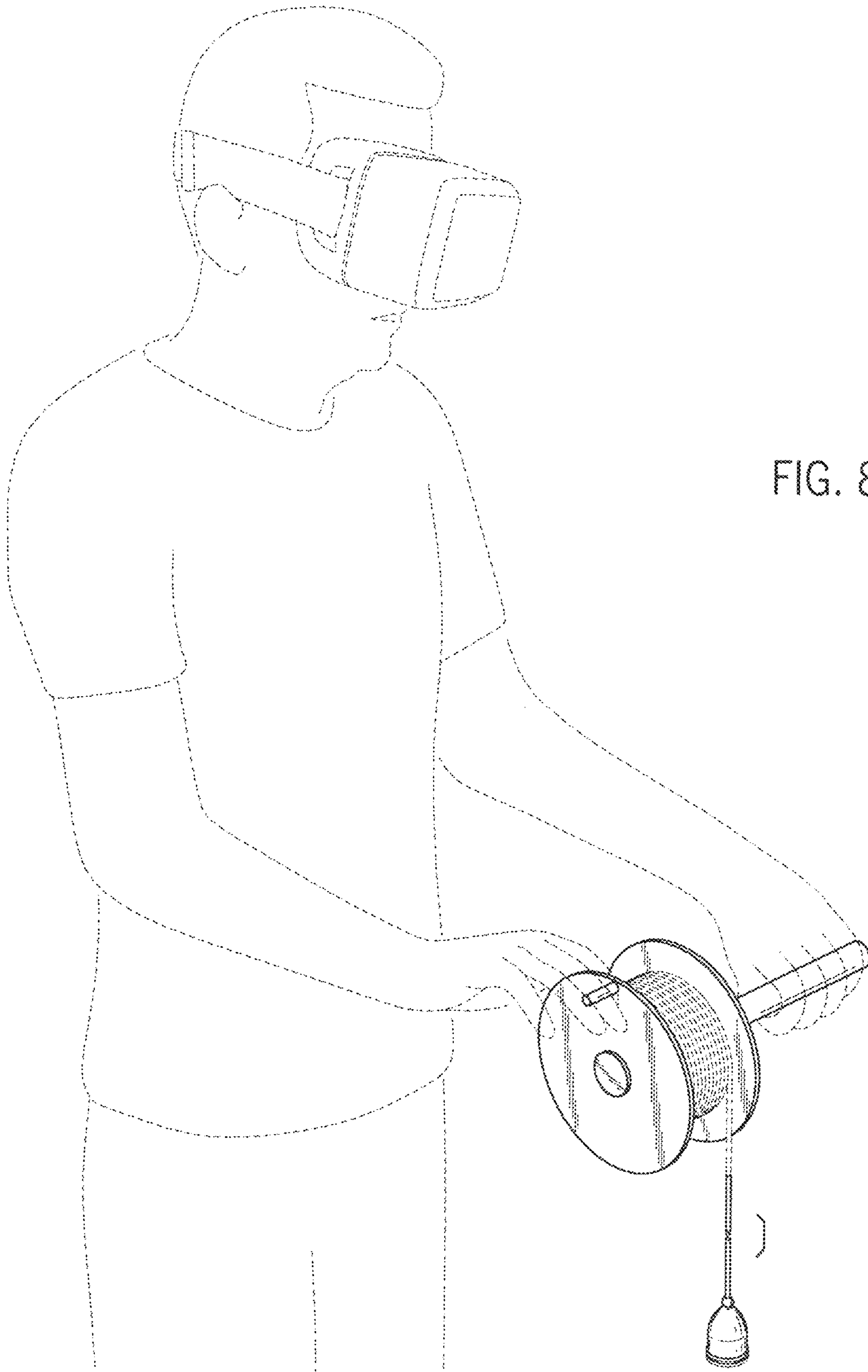


FIG. 8