



US00D894250S

(12) **United States Design Patent** (10) **Patent No.:** **US D894,250 S**
Hur (45) **Date of Patent:** **** Aug. 25, 2020**

(54) **VEHICLE DASHBOARD CAMERA**
(71) Applicant: **Pittasoft Co., Ltd.**, Seoul (KR)
(72) Inventor: **Hyun Min Hur**, Seoul (KR)
(73) Assignee: **PITTASOFT CO., LTD.**, Seoul (KR)
(**) Term: **15 Years**

D495,352 S * 8/2004 Sakaguchi D16/202
D495,353 S * 8/2004 Komatsu D16/219
D502,479 S * 3/2005 Nishizawa D16/202
D502,480 S * 3/2005 Nagayama D16/202
D502,484 S * 3/2005 Nagayama D16/202
D506,215 S * 6/2005 Lin D16/218
D559,882 S * 1/2008 Nakamura D16/218

(Continued)

(21) Appl. No.: **29/671,273**
(22) Filed: **Nov. 26, 2018**
(51) **LOC (12) Cl.** **16-01**
(52) **U.S. Cl.**
USPC **D16/202**; D16/203
(58) **Field of Classification Search**
USPC D16/200–220, 131, 132, 237, 242, 239,
D16/250, 235, 130, 134, 136, 238;
D14/417, 138 C, 240, 248, 203.1, 203.3,
D14/203.7, 218, 207, 440, 402, 454, 407,
D14/408; D10/104.1, 50, 65, 74, 70,
D10/118.2, 66; D18/43; D29/102, 122,
D29/103
CPC G03B 17/00; G03B 17/02; G03B 17/56;
G03B 17/04; G03B 17/14; G03B 17/08;
G03B 15/03; G03B 15/06; H04N
1/00981; H04N 5/2251; H04N 5/2252;
H04N 5/2253; H04N 5/2254; H04N
5/23238; H04N 7/00; H04N 13/239;
H04N 2101/00; F16M 13/00
See application file for complete search history.

FOREIGN PATENT DOCUMENTS

CN 303635205 * 4/2016
CN 303863432 * 9/2016
EM 005757036-0001 * 10/2018

OTHER PUBLICATIONS

Blackvue DR750S-2CH dash cam, published Nov. 16, 2017 [online],
[retrieved Dec. 9, 2019], Available from Internet, URL: <https://www.pcworld.com/article/3232084/blackvue-dr750s-2ch-dash-cam-review.html>.*

Primary Examiner — T. Chase Nelson
Assistant Examiner — Mary Claire Ramirez
(74) *Attorney, Agent, or Firm* — Nixon & Vanderhye P.C.

(57) **CLAIM**

The ornamental design for a vehicle dashboard camera, as shown and described.

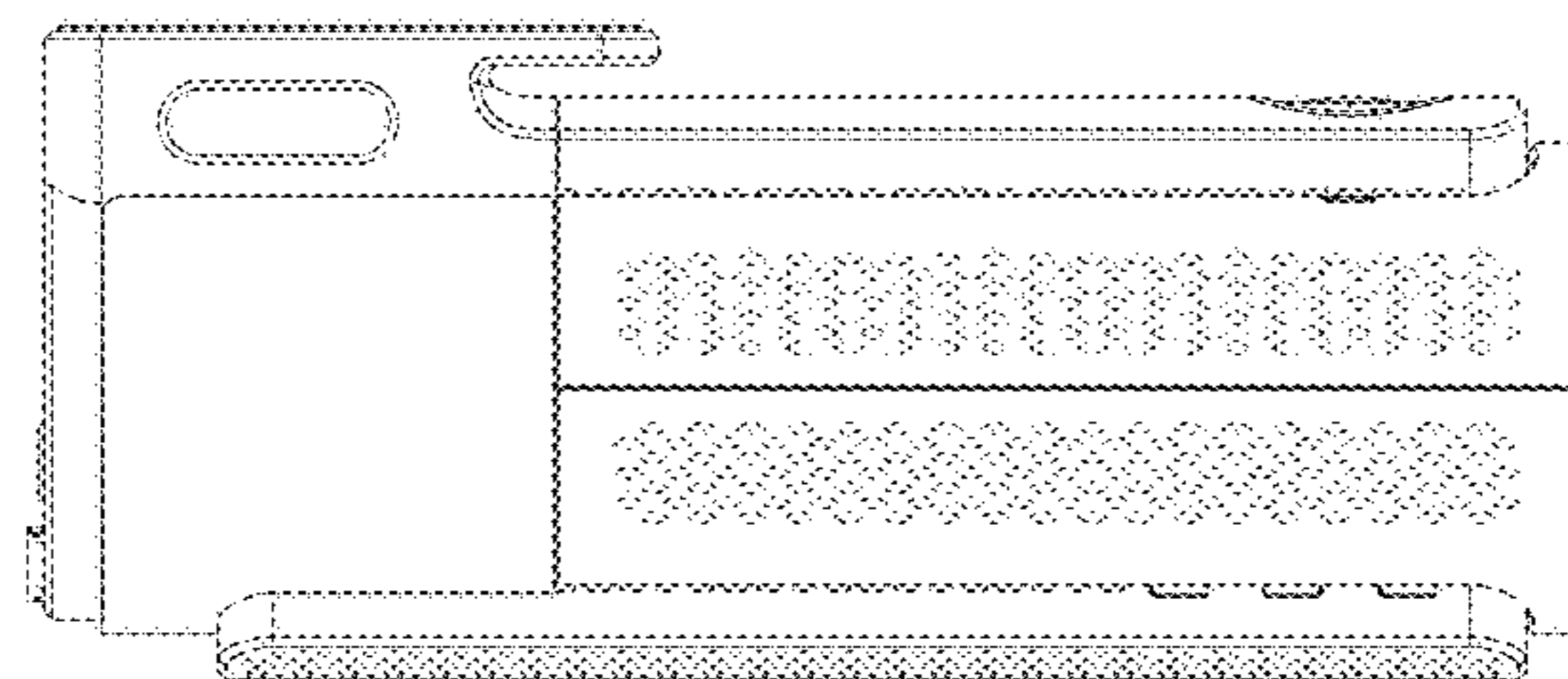
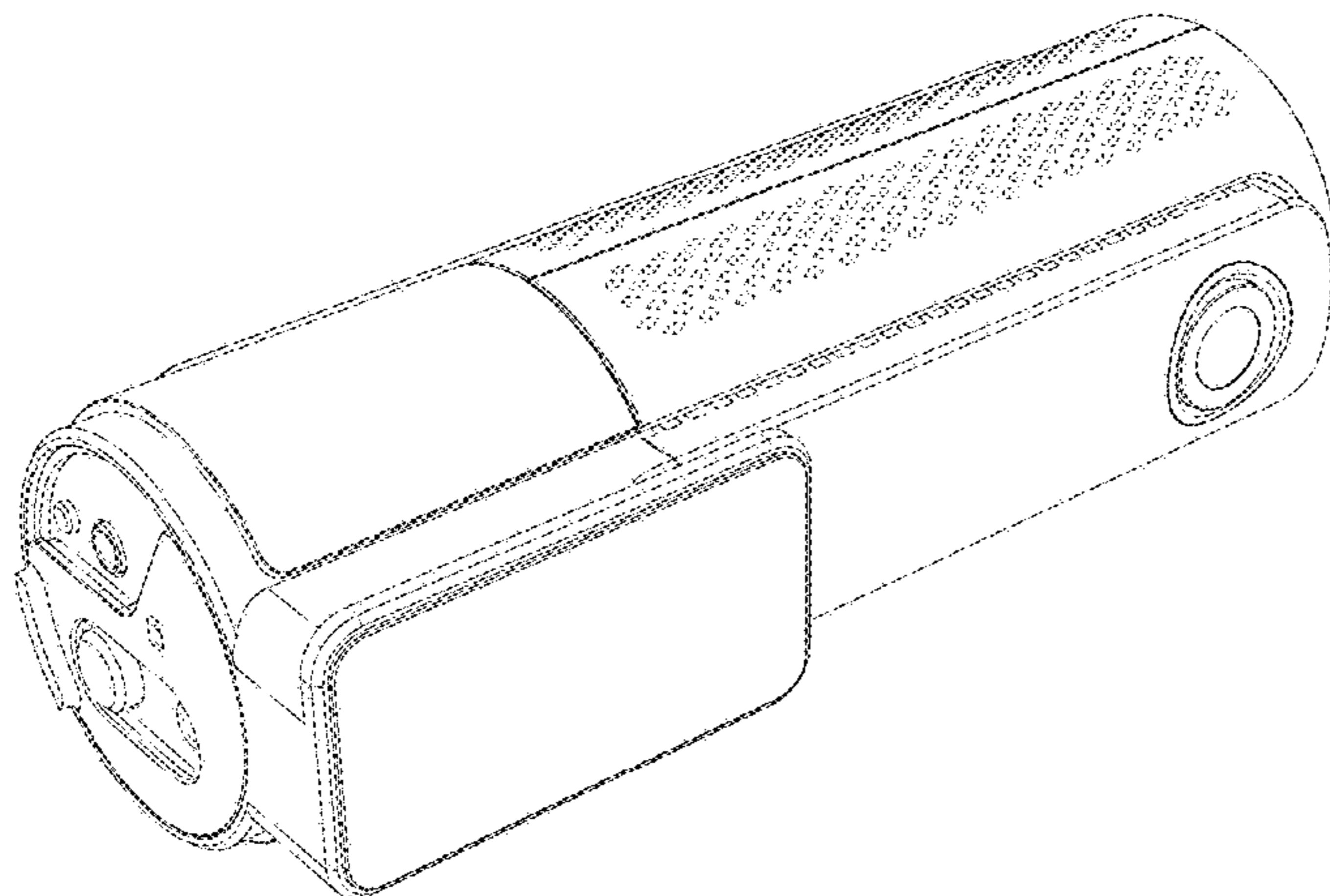
DESCRIPTION

FIG. 1 is a perspective view of a vehicle dashboard camera showing my new design;
FIG. 2 is a front elevation view thereof;
FIG. 3 is a rear elevation view thereof;
FIG. 4 is a top plan view thereof;
FIG. 5 is a bottom plan view thereof;
FIG. 6 is a left elevation view thereof; and,
FIG. 7 is a right elevation view thereof.
The broken lines in the drawing Figures denote features of the vehicle dashboard camera that form no part of the claimed design.

1 Claim, 5 Drawing Sheets

(56) **References Cited**
U.S. PATENT DOCUMENTS

D228,027 S * 7/1973 Heckel D16/132
D411,219 S * 6/1999 Sumita D16/202
D423,032 S * 4/2000 Eto D16/134
D440,587 S * 4/2001 Morooka D16/202
D482,710 S * 11/2003 Ho D16/132
D484,903 S * 1/2004 Cheng D16/203
D486,843 S * 2/2004 Takahashi D16/202
D487,476 S * 3/2004 Komatsu D16/219



(56)

References Cited

U.S. PATENT DOCUMENTS

| | | | | | |
|--------------|------|---------|----------|-------|-------------------------|
| D559,883 | S * | 1/2008 | Nakamura | | D16/218 |
| D560,246 | S * | 1/2008 | Nakamura | | D16/218 |
| D566,148 | S * | 4/2008 | Akita | | D16/202 |
| D636,422 | S * | 4/2011 | Hou | | D16/202 |
| D655,326 | S * | 3/2012 | Nojima | | D16/131 |
| D719,140 | S * | 12/2014 | Sanhui | | D14/225 |
| D727,388 | S * | 4/2015 | Huang | | D16/214 |
| D728,655 | S * | 5/2015 | Daniel | | D16/203 |
| D738,230 | S * | 9/2015 | Hamann | | D10/50 |
| D738,231 | S * | 9/2015 | Hamann | | D10/50 |
| D776,740 | S * | 1/2017 | Okawa | | D16/203 |
| D779,460 | S * | 2/2017 | Turksu | | D14/218 |
| D785,066 | S * | 4/2017 | Liu | | D16/202 |
| D811,465 | S * | 2/2018 | Nokuo | | D16/218 |
| D858,610 | S * | 9/2019 | Fang | | D16/218 |
| D866,639 | S * | 11/2019 | Fang | | D16/203 |
| D875,812 | S * | 2/2020 | Zhang | | D16/218 |
| 2009/0103913 | A1 * | 4/2009 | Huang | | G03B 17/00 396/428 |
| 2013/0062228 | A1 * | 3/2013 | Danilov | | G02B 27/0006 206/216 |
| 2018/0017204 | A1 * | 1/2018 | Nokuo | | F16M 11/041 |

* cited by examiner

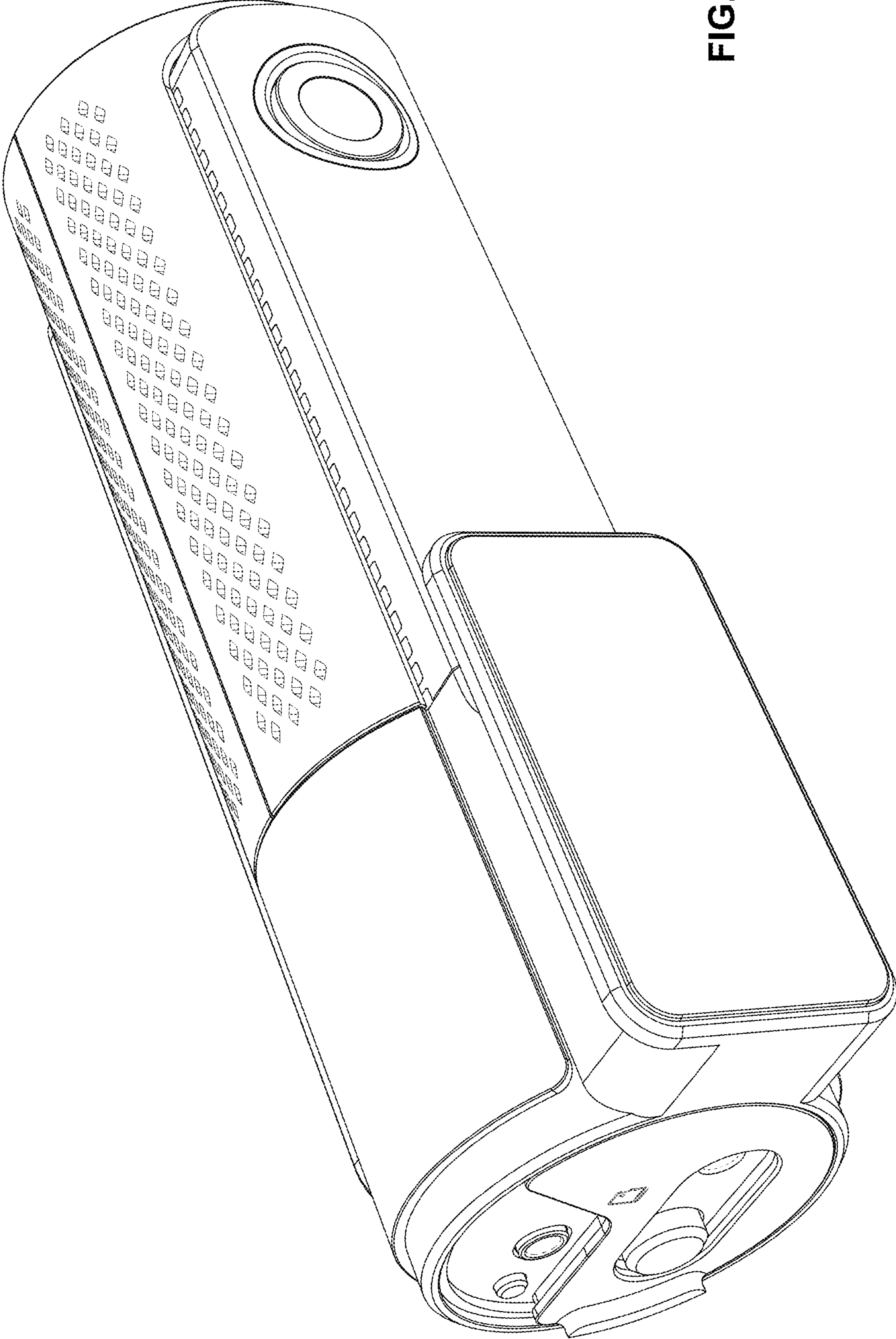


FIG. 1

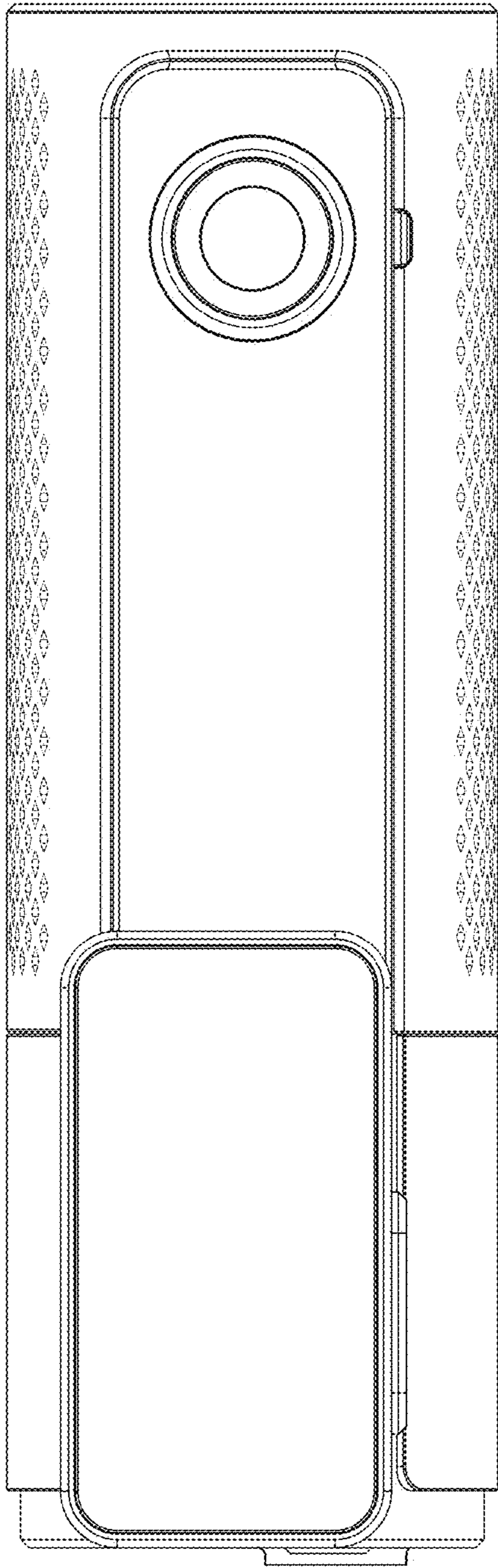


FIG. 2

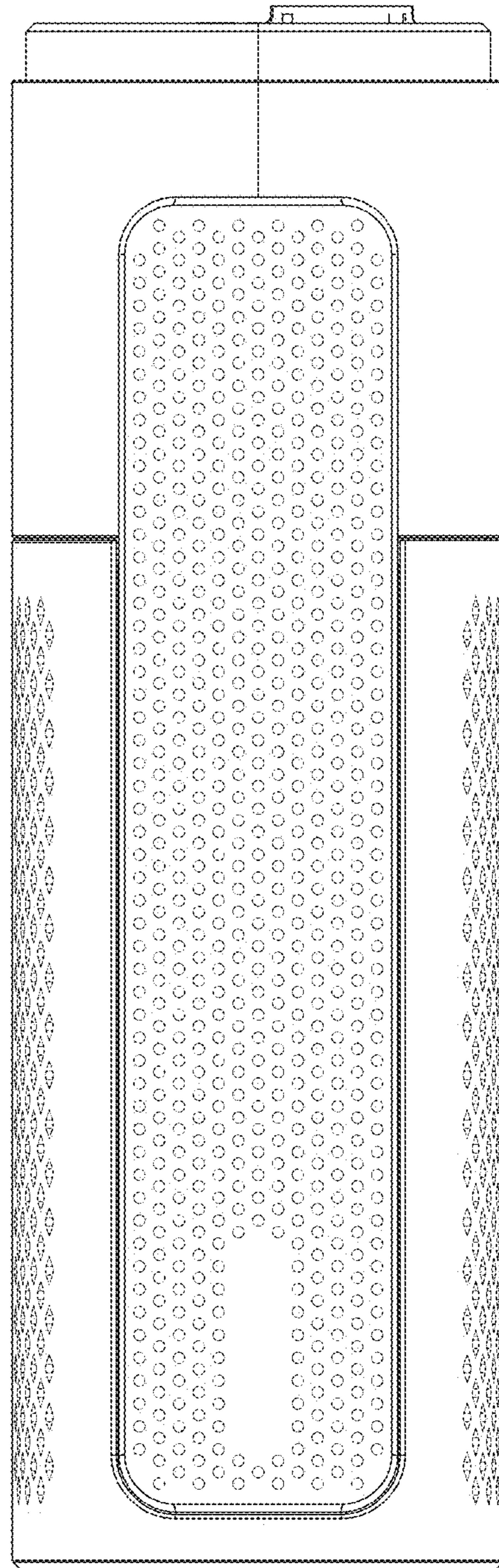


FIG. 3

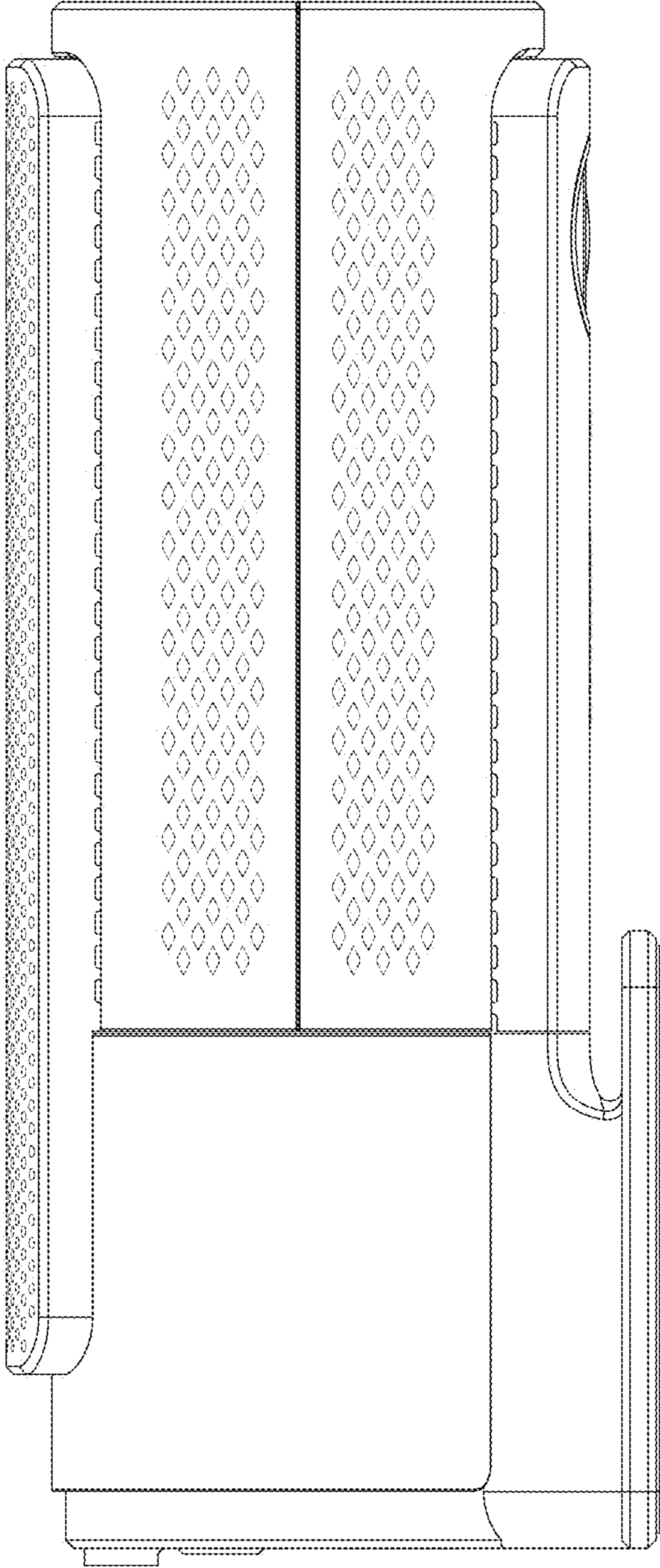


FIG. 4

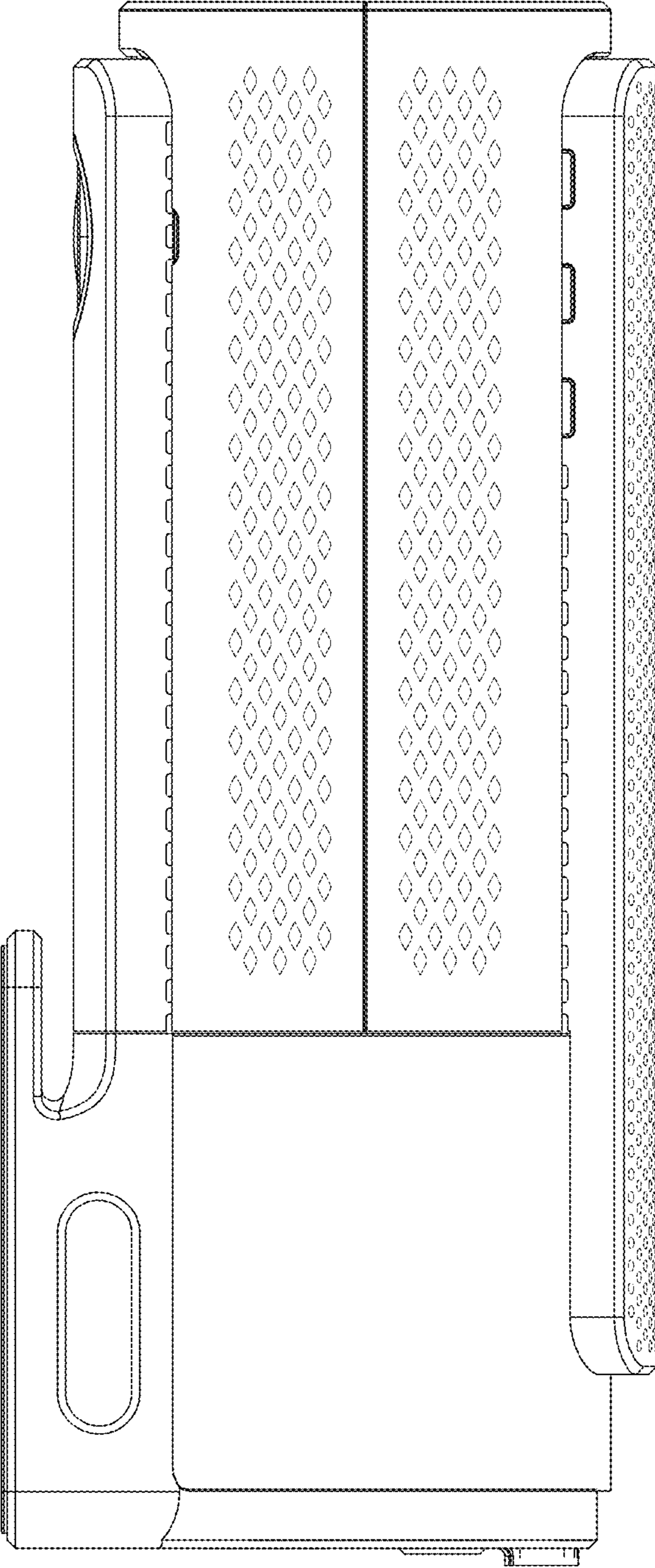


FIG. 5

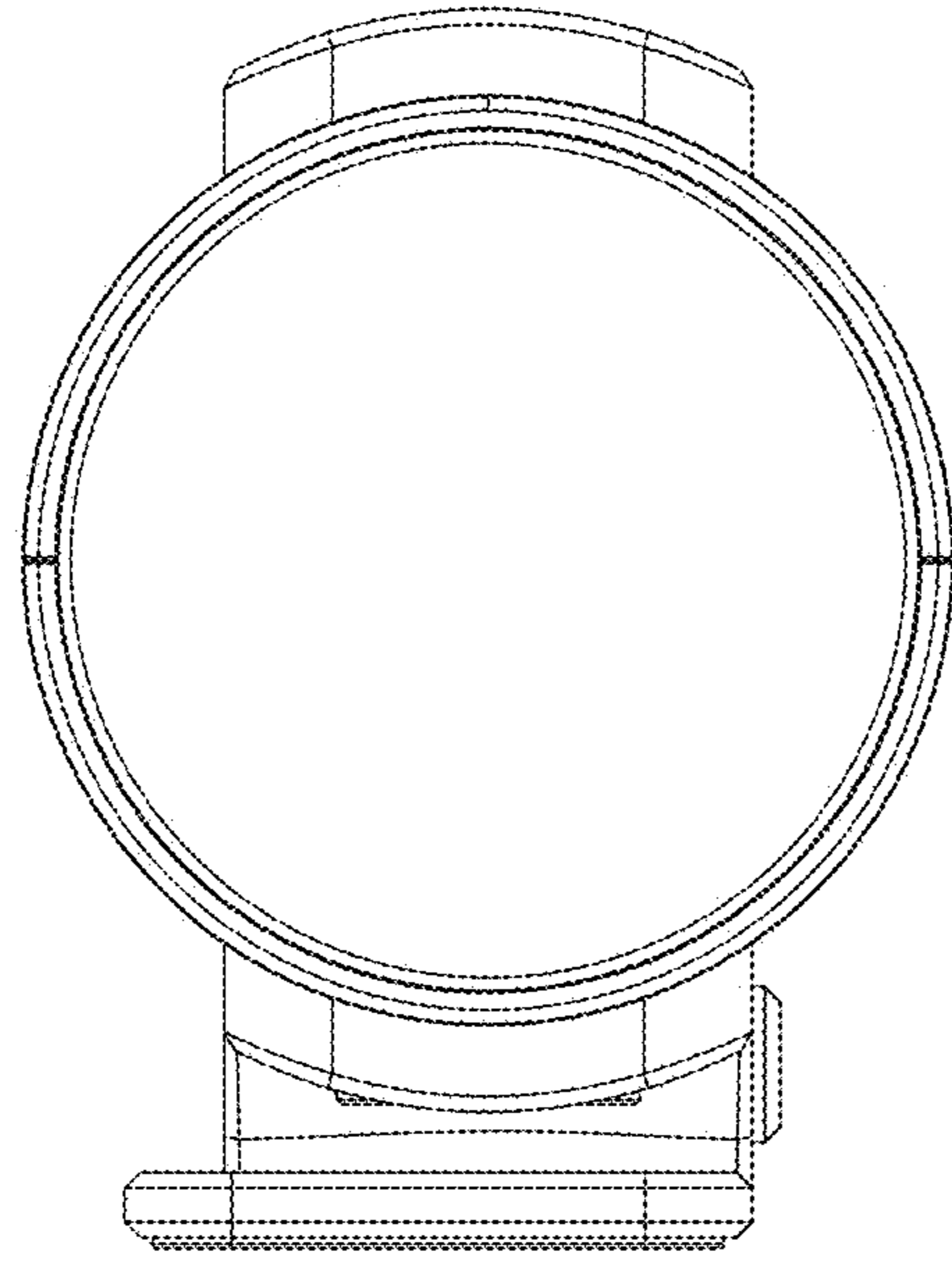


FIG. 7

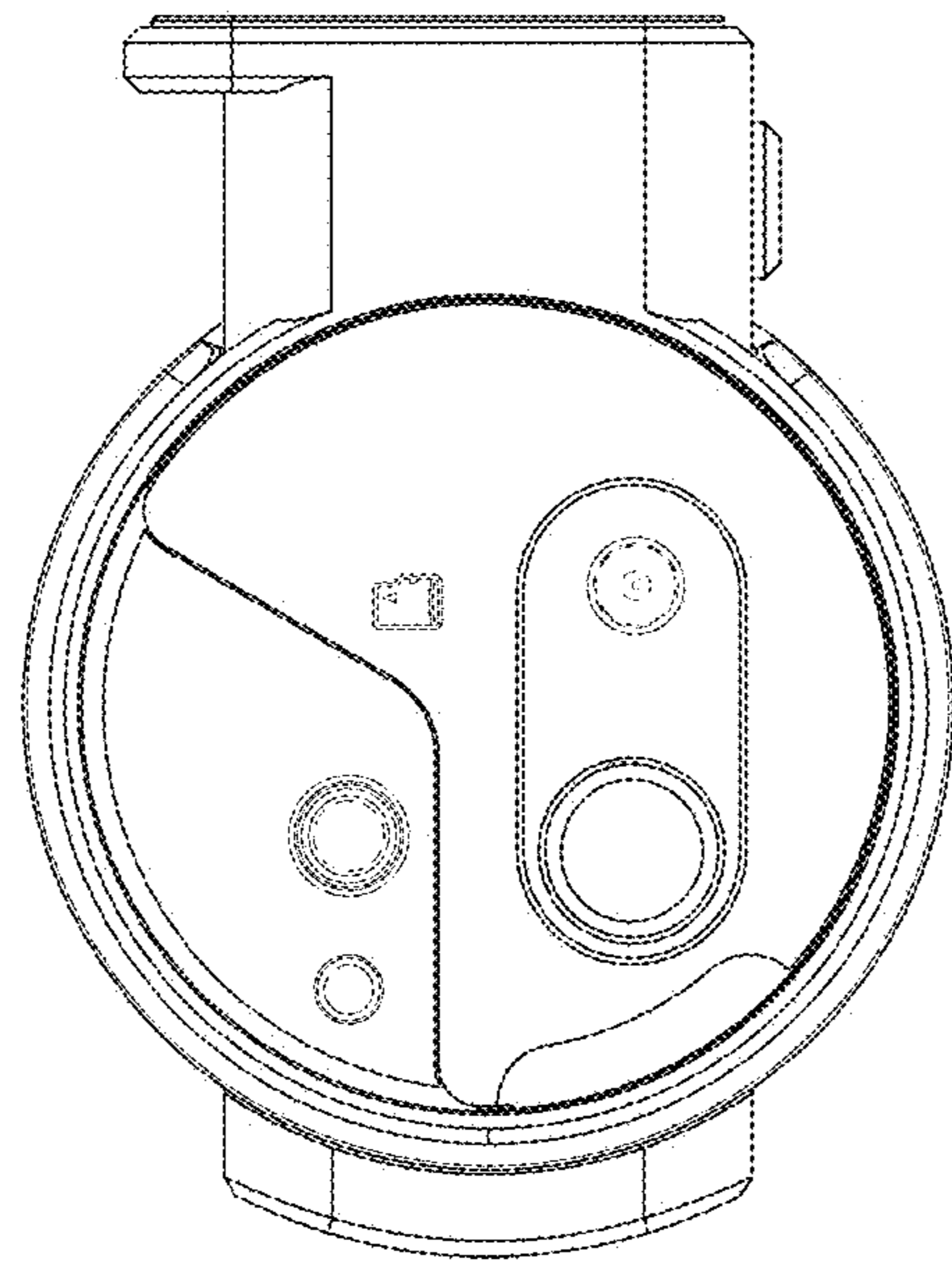


FIG. 6