



US00D894249S

(12) **United States Design Patent**
Kamei

(10) **Patent No.:** **US D894,249 S**

(45) **Date of Patent:** **** Aug. 25, 2020**

(54) **DIGITAL CAMERA**

(71) Applicant: **FUJIFILM Corporation**, Tokyo (JP)

(72) Inventor: **Keita Kamei**, Saitama (JP)

(73) Assignee: **FUJIFILM Corporation**, Tokyo (JP)

(**) Term: **15 Years**

(21) Appl. No.: **29/669,584**

(22) Filed: **Nov. 9, 2018**

(30) **Foreign Application Priority Data**

May 10, 2018 (JP) 2018-010137

(51) **LOC (12) Cl.** **16-01**

(52) **U.S. Cl.**
USPC **D16/202**

(58) **Field of Classification Search**

USPC D16/200–220, 131, 132, 237, 242, 239,
D16/250, 235, 130, 134, 136, 238, 243;
D14/417, 138 C, 240, 248, 203.1, 203.3,
D14/203.7, 218, 207, 440, 402, 454, 407,
D14/408, 252, 253; D10/104.1, 50, 65,
D10/74, 70, 118.2, 66; D12/187;
D29/102, 122, 103; D3/269, 267;
D30/199

CPC G03B 17/00; G03B 17/02; G03B 17/56;
G03B 17/04; G03B 17/14; G03B 17/08;
G03B 15/03; G03B 15/06; H04N
1/00981; H04N 5/2251; H04N 5/2252;
H04N 5/2253; H04N 5/2254; H04N
5/23238; H04N 7/00; H04N 13/239;
H04N 2101/00; F16M 13/00

See application file for complete search history.

(56) **References Cited**

U.S. PATENT DOCUMENTS

D304,729 S * 11/1989 Sugiyama D16/217
7,599,617 B2 * 10/2009 Tokiwa G03B 17/14
396/529

D639,326 S * 6/2011 Baba D16/202
D649,997 S * 12/2011 Imai D16/202
D654,943 S * 2/2012 Ogasawara D16/202
D681,710 S * 5/2013 Sato D16/200
D695,807 S * 12/2013 Tainaka D16/202
D697,960 S * 1/2014 Sato D16/200
D698,839 S * 2/2014 Sato D16/200
D710,425 S * 8/2014 Sato D16/200

(Continued)

FOREIGN PATENT DOCUMENTS

JP 1600357 S 3/2018

OTHER PUBLICATIONS

Communication dated Jan. 31, 2019, from Japanese Patent Office in counterpart application No. 2018-010137.

Primary Examiner — T Chase Nelson

Assistant Examiner — Mary Claire Ramirez

(74) *Attorney, Agent, or Firm* — Sughrue Mion, PLLC

(57) **CLAIM**

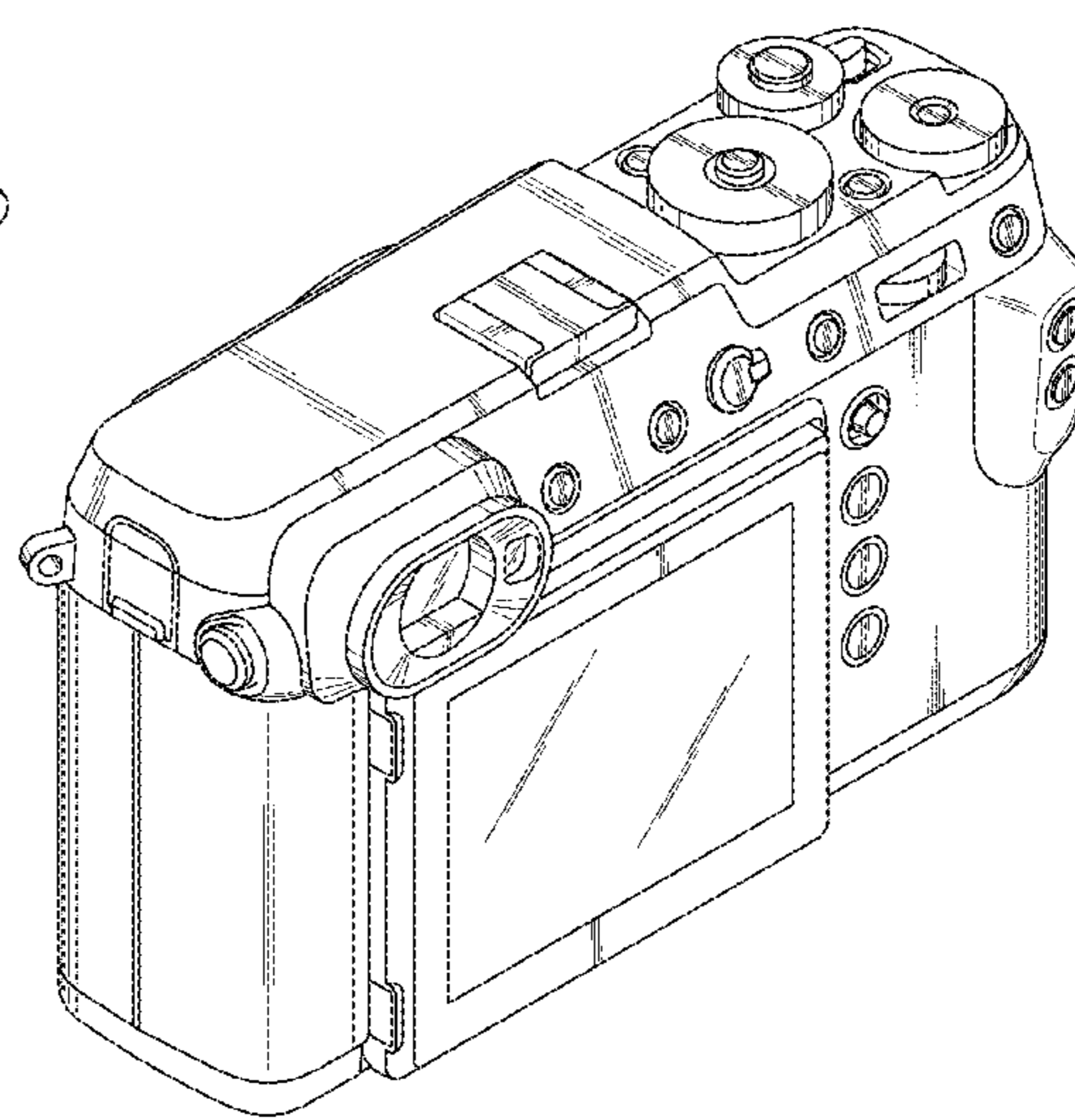
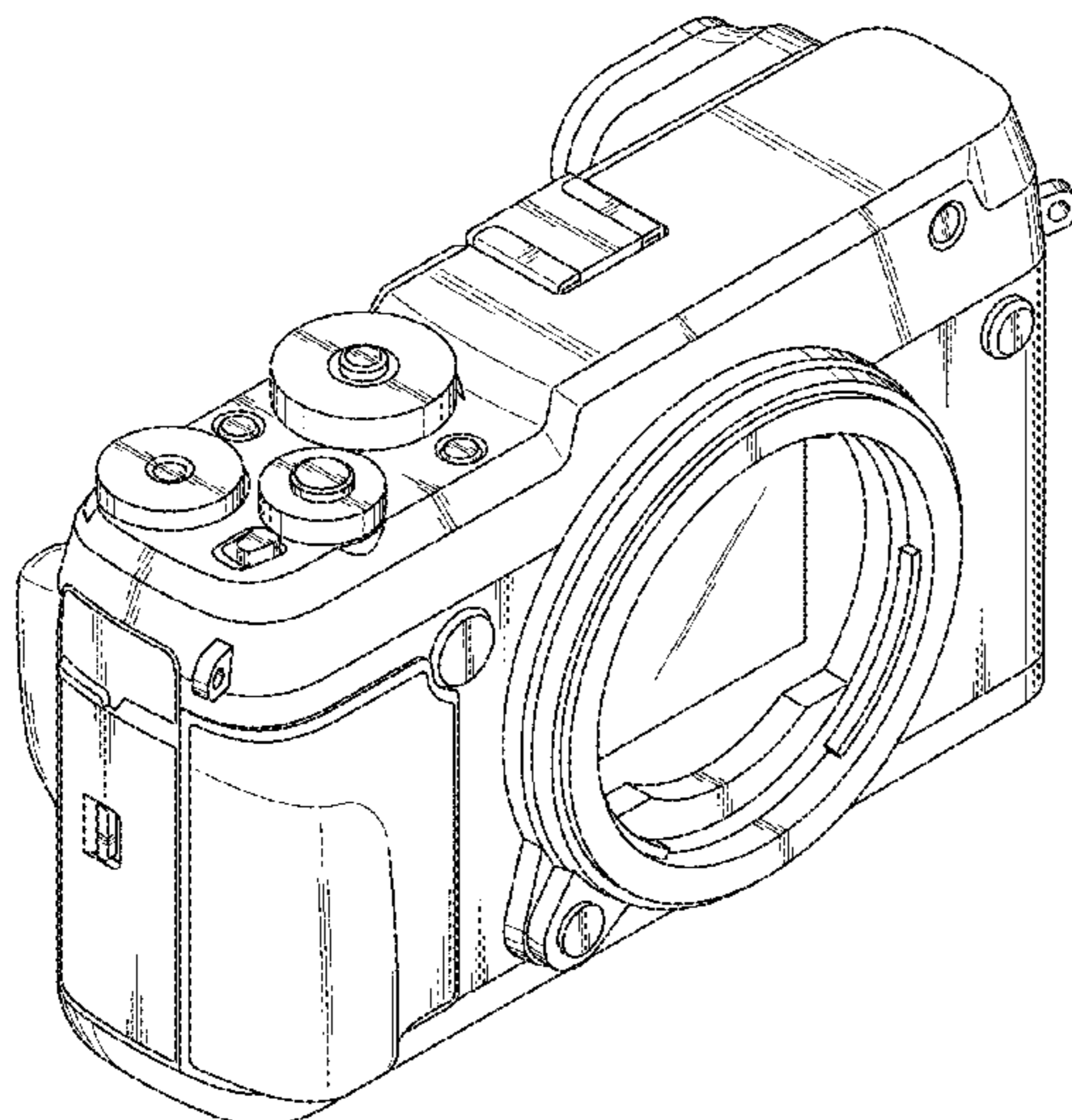
The ornamental design for a digital camera, as shown and described.

DESCRIPTION

FIG. 1 is a front-left perspective view of a digital camera showing my new design;
FIG. 2 is a front-right perspective view thereof;
FIG. 3 is a rear-right perspective view thereof;
FIG. 4 is a rear-left perspective view thereof;
FIG. 5 is a front view thereof;
FIG. 6 is a rear view thereof;
FIG. 7 is a top plan view thereof;
FIG. 8 is a bottom plan view thereof;
FIG. 9 is a right side view thereof; and,
FIG. 10 is a left side view thereof.

The broken lines depict portions of the digital camera that form no part of the claimed design.

1 Claim, 9 Drawing Sheets



(56)

References Cited

U.S. PATENT DOCUMENTS

D719,993 S * 12/2014 Soejima D16/202
 D720,786 S * 1/2015 Imamizu D16/202
 D723,084 S * 2/2015 Awazu D16/219
 D727,990 S * 4/2015 Sakai D16/202
 D738,418 S * 9/2015 Imai D16/202
 D749,659 S * 2/2016 Kamei D16/202
 D749,664 S * 2/2016 Kamei D16/219
 D776,185 S * 1/2017 Nohara D16/219
 D777,233 S * 1/2017 Sakai D16/202
 D779,574 S * 2/2017 Nakajima D16/202
 D779,575 S * 2/2017 Kobayashi D16/202
 D794,693 S * 8/2017 Sato D16/202
 D795,324 S * 8/2017 Sato D16/202
 D800,200 S * 10/2017 Abe D16/202
 D807,941 S * 1/2018 Kamei D16/202
 D810,173 S * 2/2018 Sato D16/219
 D813,922 S * 3/2018 Kamei D16/202
 D816,754 S * 5/2018 Osada D16/202
 D821,475 S * 6/2018 Ikegame D16/200
 D832,908 S * 11/2018 Sakai D16/219
 D852,254 S * 6/2019 Saito D16/202
 D865,031 S * 10/2019 Saito D16/219

2006/0193621 A1* 8/2006 Miyake G03B 17/14
 396/88
 2015/0022694 A1* 1/2015 Jogetsu H04N 5/23209
 348/240.1
 2016/0006923 A1* 1/2016 Imamura H04N 5/23209
 348/208.11
 2016/0227084 A1* 8/2016 Imamura G03B 17/14
 2017/0126948 A1* 5/2017 Uchida G03B 7/097
 2017/0126957 A1* 5/2017 Uchida G02B 7/28
 2017/0199347 A1* 7/2017 Takeshita G03B 3/10
 2017/0235090 A1* 8/2017 Takeshita G02B 7/02
 348/345
 2018/0224722 A1* 8/2018 Pan G03B 17/14
 2019/0146308 A1* 5/2019 Fujimura H04N 5/22525
 396/373
 2019/0146310 A1* 5/2019 Misawa H04N 5/225
 396/296
 2019/0191070 A1* 6/2019 Irie G03B 9/36
 2019/0199936 A1* 6/2019 Tokiwa G03B 7/00
 2019/0212522 A1* 7/2019 Imanishi G02B 7/021
 2019/0212634 A1* 7/2019 Kondo G02B 7/14
 2019/0222730 A1* 7/2019 Kondo H04N 5/2254
 2019/0271826 A1* 9/2019 Kondo G02B 7/14
 2019/0281212 A1* 9/2019 Nishiyama H04N 5/2355

* cited by examiner

FIG. 1

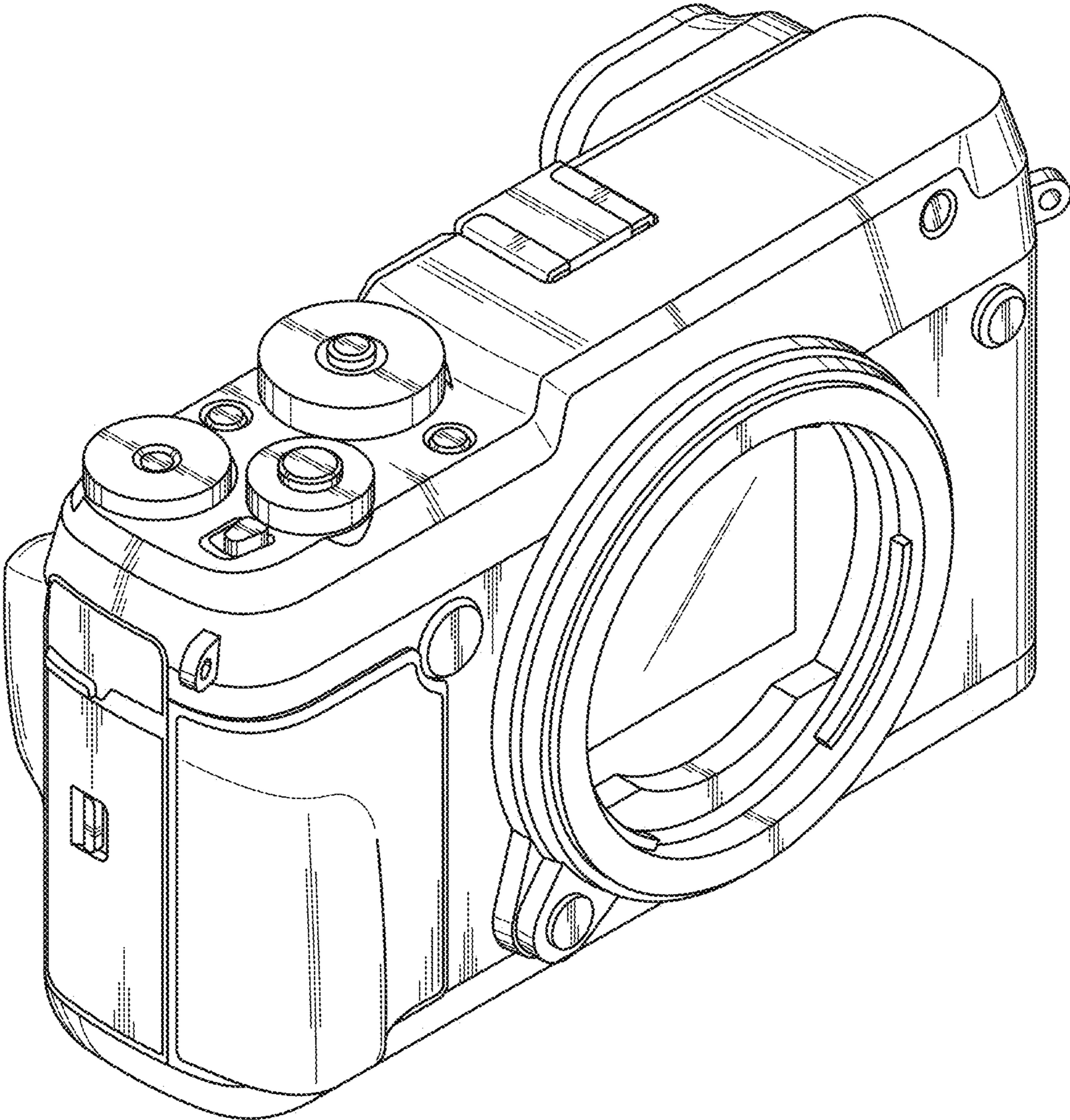


FIG. 2

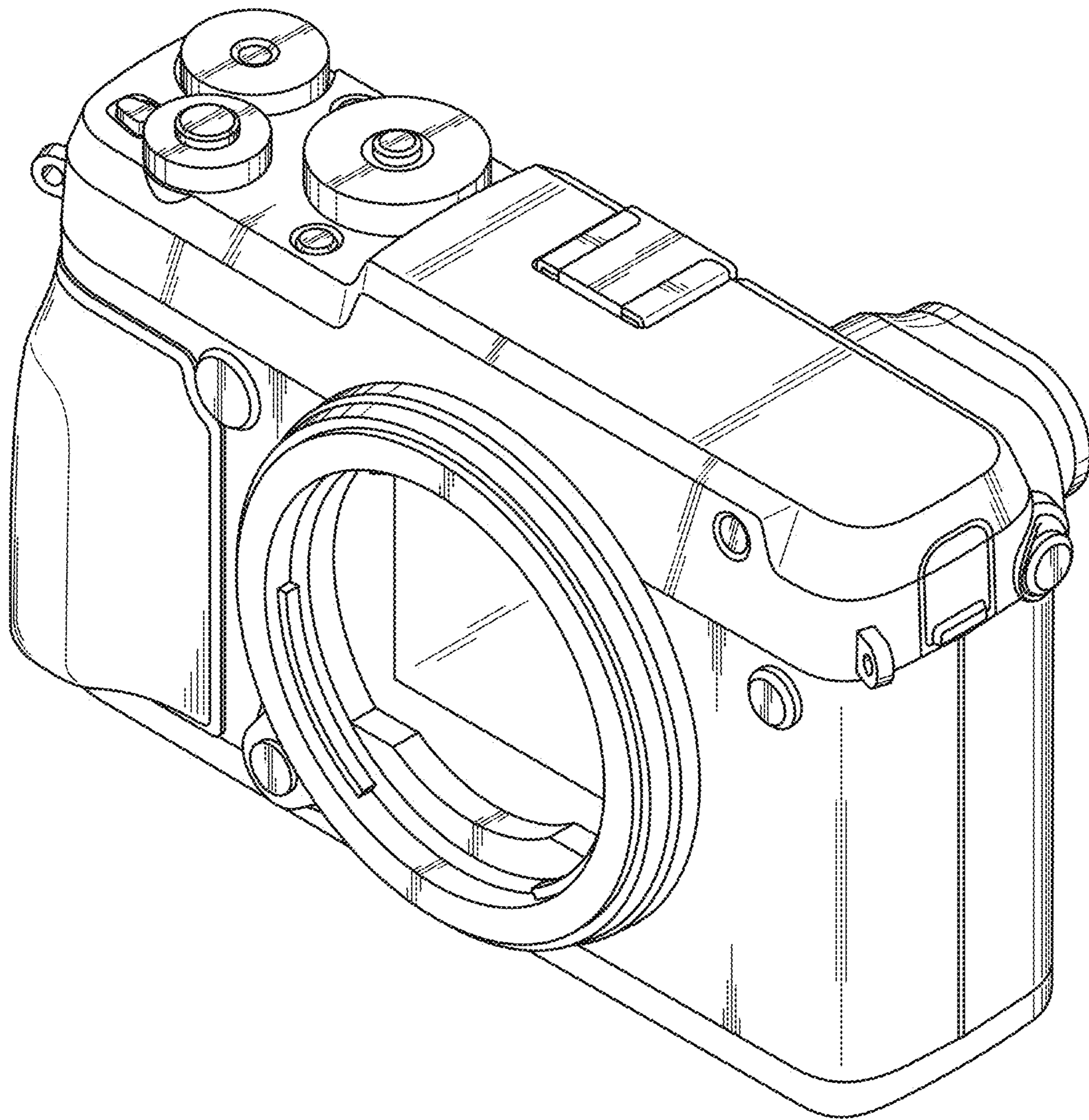


FIG. 3

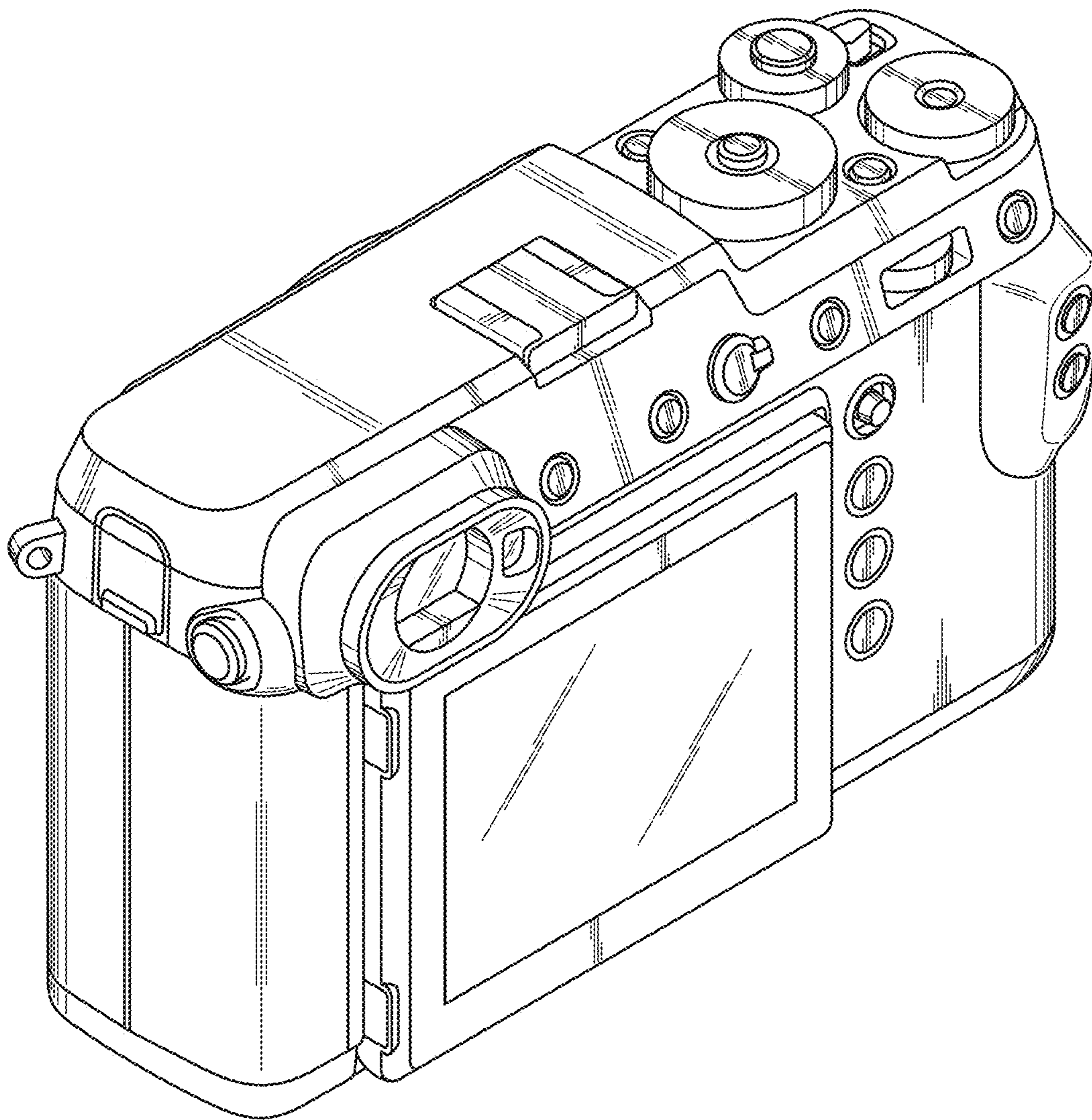


FIG. 4

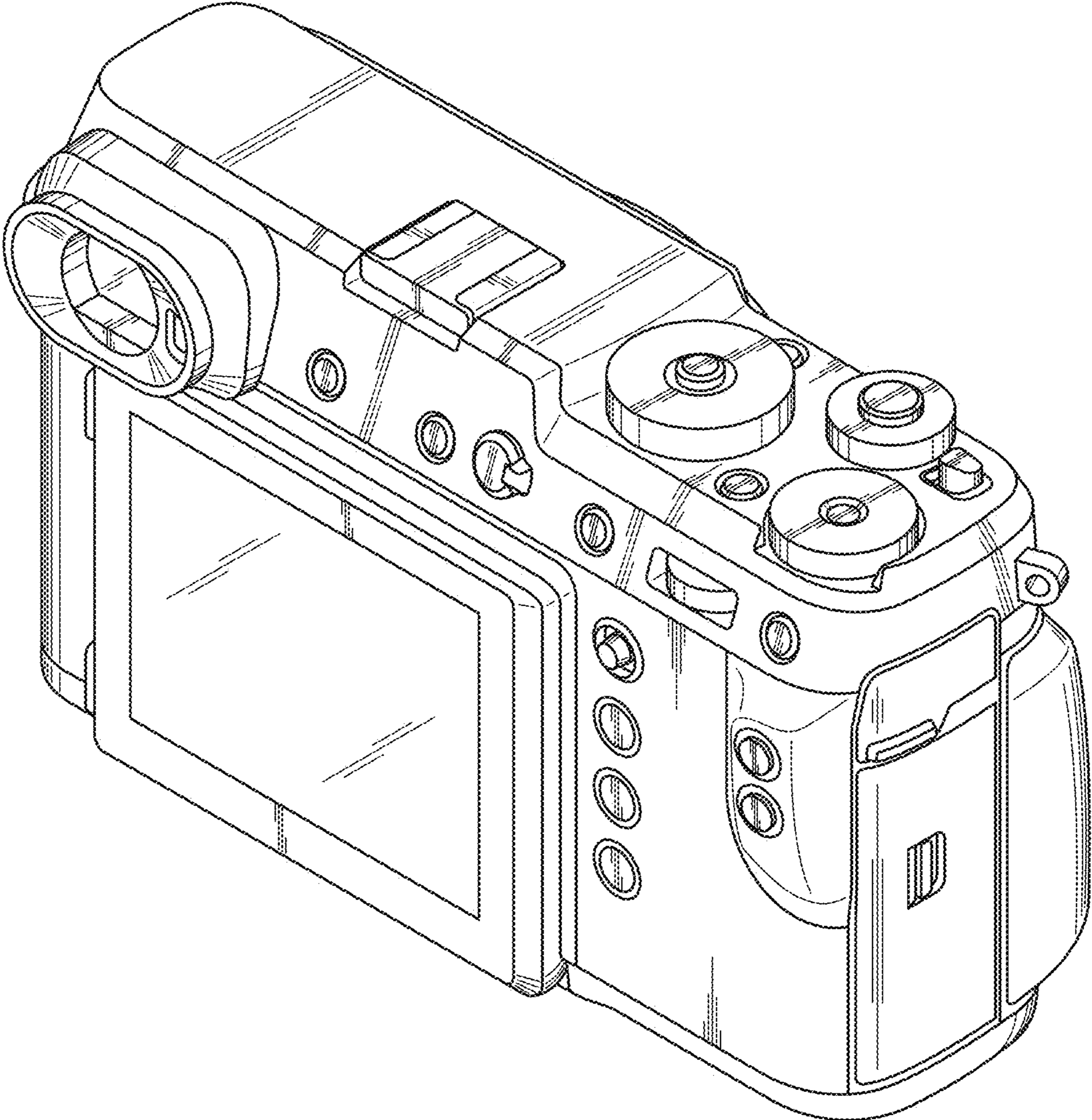


FIG. 5

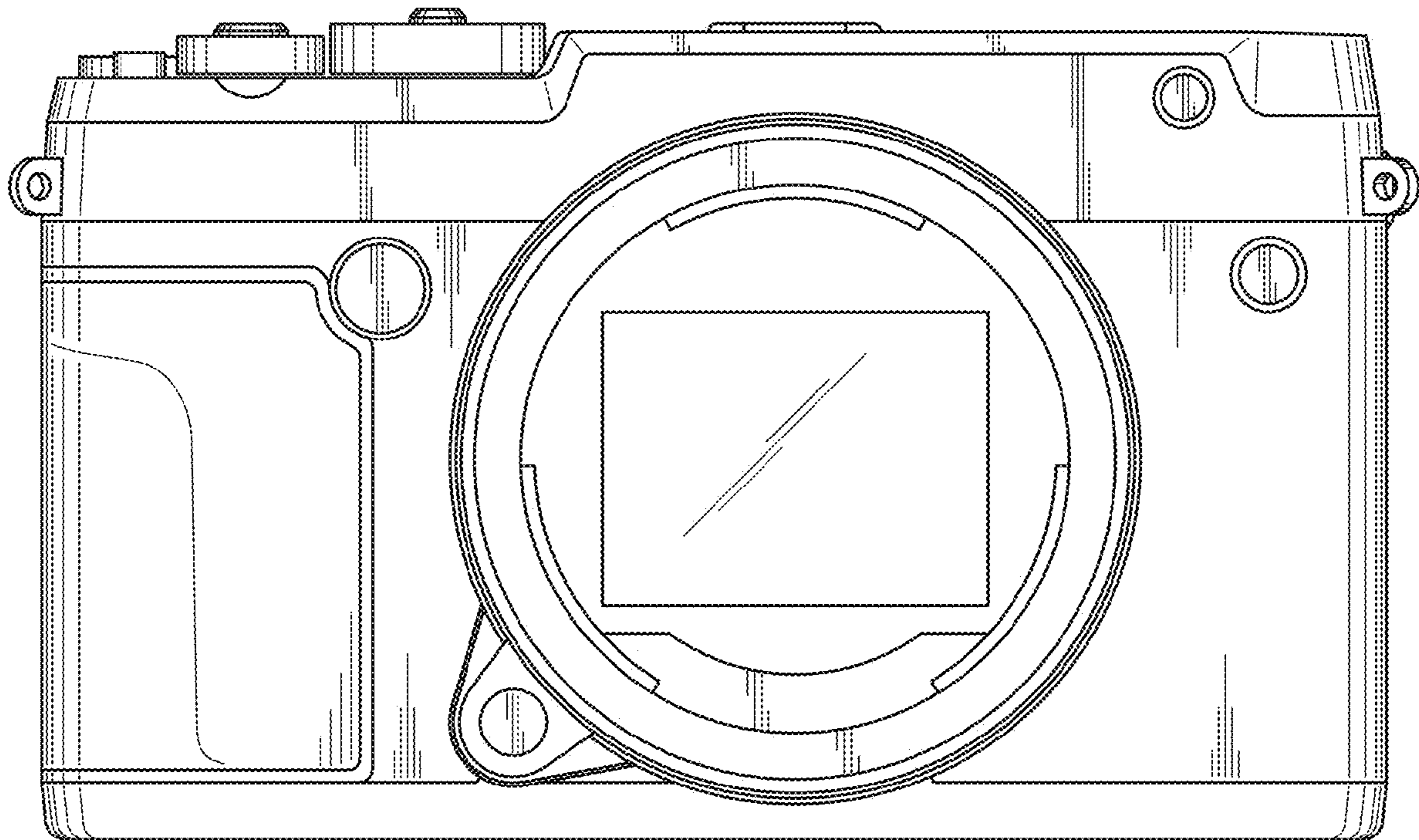


FIG. 6

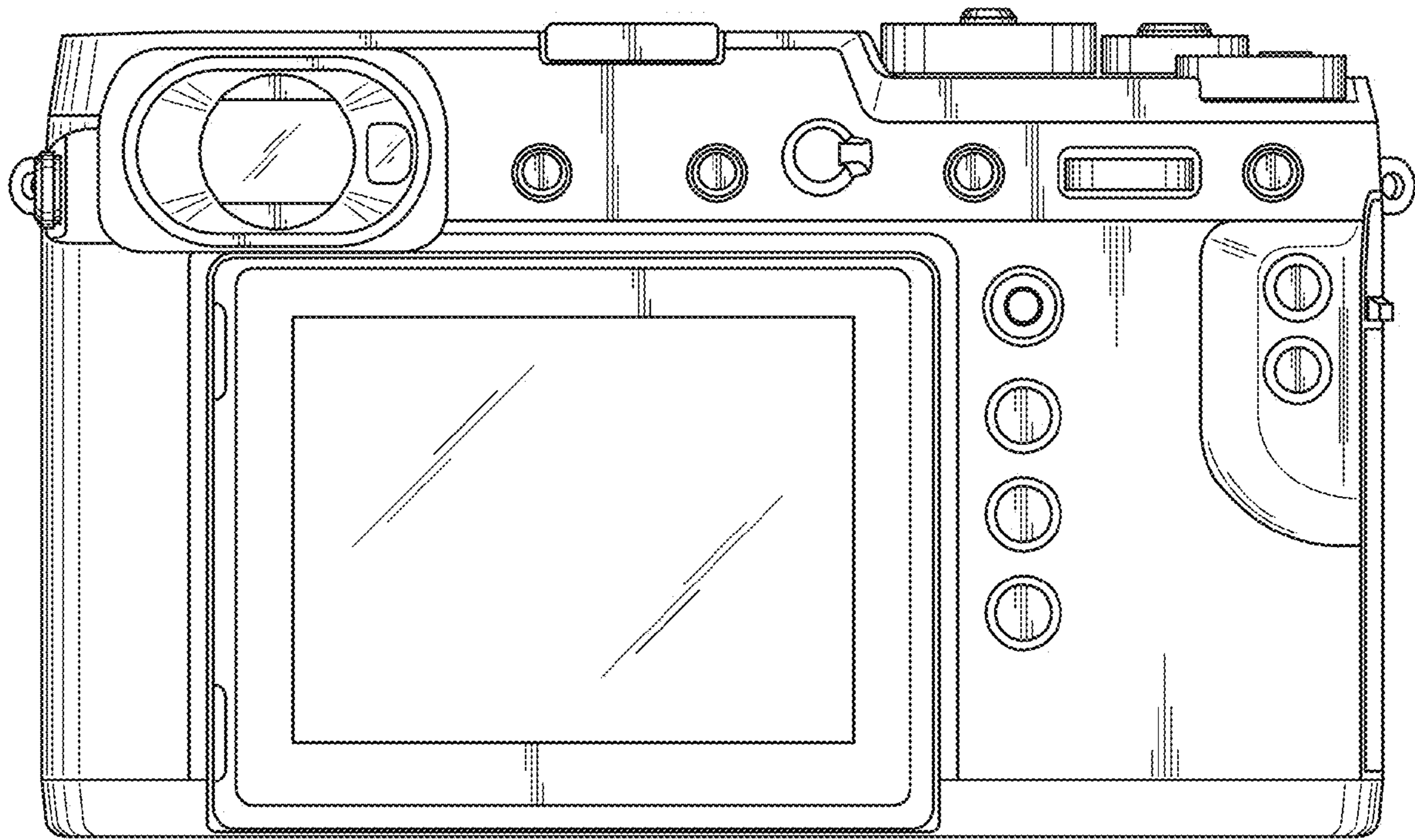


FIG. 7

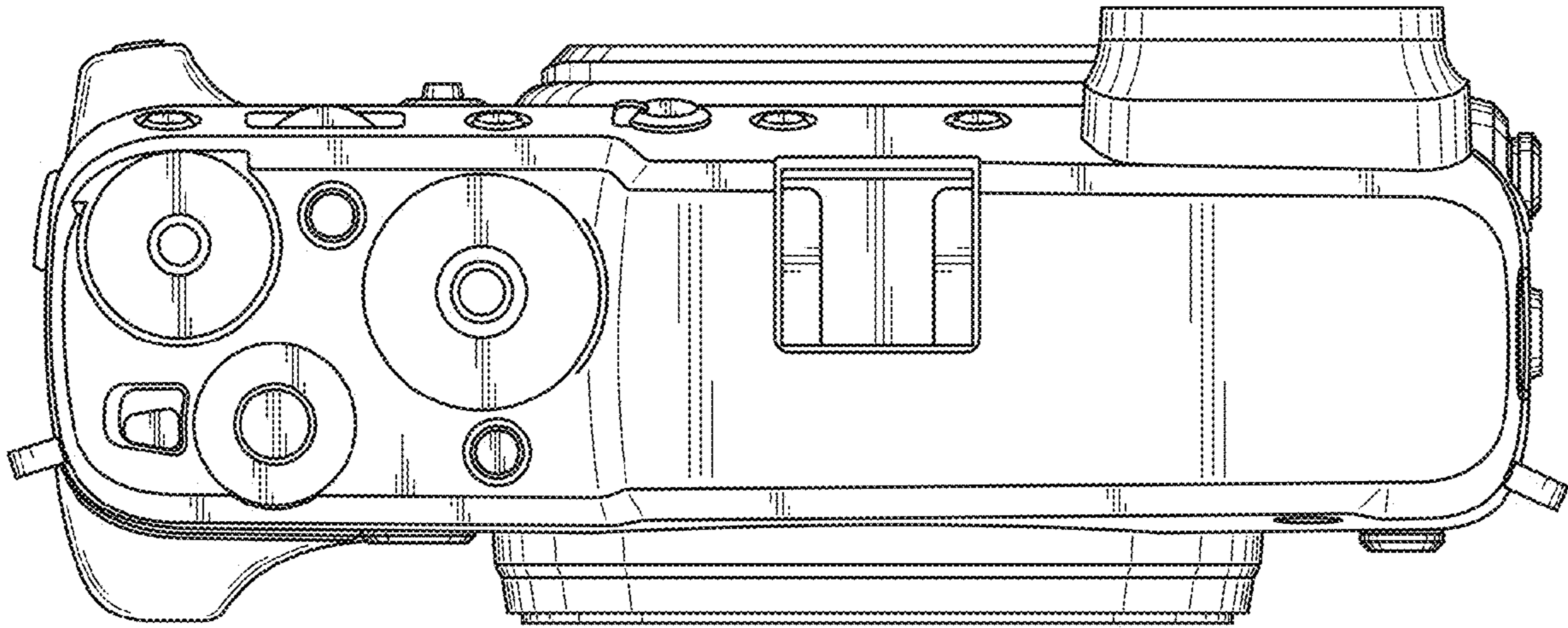


FIG. 8

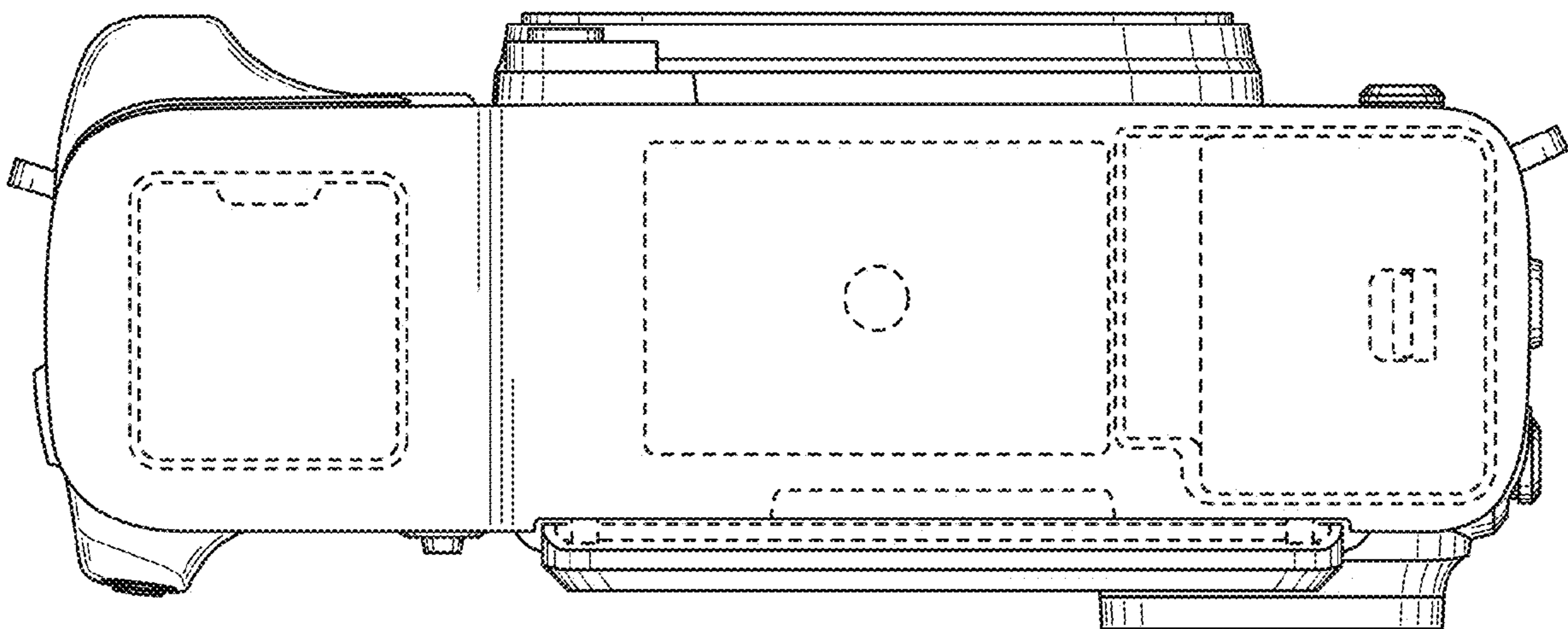


FIG. 9

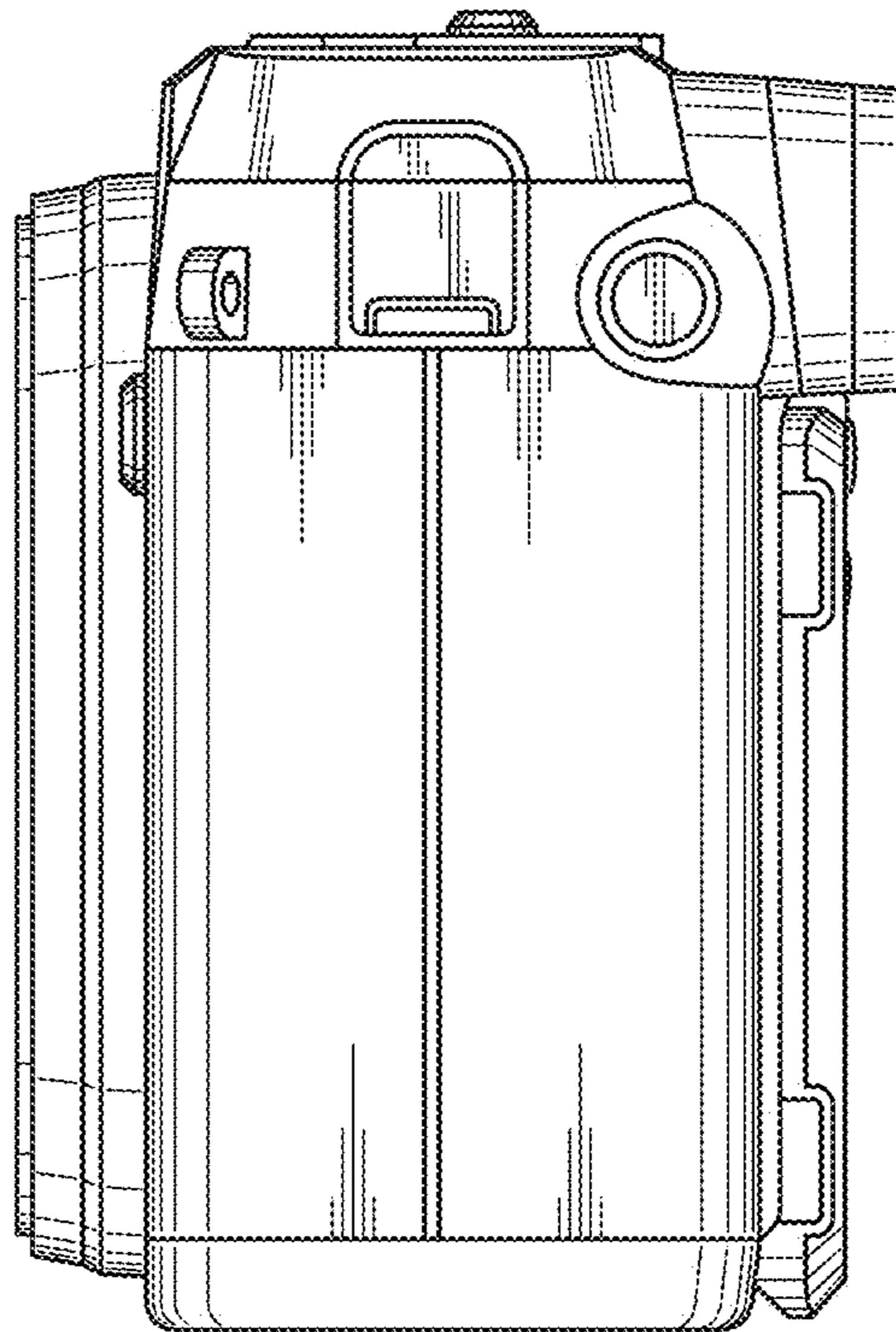


FIG. 10

