



US00D894248S

(12) **United States Design Patent**  
**Kim et al.**

(10) **Patent No.:** **US D894,248 S**

(45) **Date of Patent:** **\*\* Aug. 25, 2020**

(54) **ROBOT**  
(71) Applicant: **ROBORUS Co., Ltd.**, Seoul (KR)  
(72) Inventors: **Dae Hoon Kim**, Seoul (KR); **Sang Ki Lee**, Yongin-si (KR)  
(73) Assignee: **ROBORUS CO., LTD.**, Seoul (KR)  
(\*\*) Term: **15 Years**  
(21) Appl. No.: **29/662,173**  
(22) Filed: **Sep. 4, 2018**

6,250,448 B1 \* 6/2001 Salecker ..... B60K 28/165  
192/103 F  
D450,788 S \* 11/2001 Kawasaki ..... D21/578  
D453,361 S \* 2/2002 Tsai ..... D21/578  
D460,131 S \* 7/2002 Koshiishi ..... D21/578  
D460,503 S \* 7/2002 Koshiishi ..... D21/578  
D536,010 S \* 1/2007 Takahashi ..... D15/199  
D541,353 S \* 4/2007 Takahashi ..... D21/578  
D563,443 S \* 3/2008 Ahn ..... D15/199  
7,404,491 B2 \* 7/2008 Hakola ..... B01D 45/12  
209/715  
D635,603 S \* 4/2011 Paz Rodriguez ..... D15/199  
D639,353 S \* 6/2011 Stibolt ..... D21/578  
D677,743 S \* 3/2013 Koshiishi ..... D15/199

(Continued)

(30) **Foreign Application Priority Data**

Aug. 31, 2018 (KR) ..... 30-2018-0040641

(51) **LOC (12) Cl.** ..... **15-99**

(52) **U.S. Cl.**  
USPC ..... **D15/199**

(58) **Field of Classification Search**  
USPC ..... D15/199; D21/578-583, 621, 622;  
D32/21  
CPC ..... B25J 5/007; B60B 19/006; B62D 57/024;  
H01F 7/0221; Y10S 901/01  
See application file for complete search history.

(56) **References Cited**

**U.S. PATENT DOCUMENTS**

4,137,984 A \* 2/1979 Jennings ..... B62D 1/28  
180/168  
4,571,203 A \* 2/1986 Murakami ..... A63H 33/003  
446/376  
4,926,994 A \* 5/1990 Koshizawa ..... B60K 23/02  
192/110 R  
5,896,963 A \* 4/1999 Schwientek ..... B60W 30/18  
192/3.62  
5,982,280 A \* 11/1999 Fahrbach ..... F16D 48/066  
340/453

**OTHER PUBLICATIONS**

CES 2018 Exhibitor Directory, Jan. 9, 2018, Las Vegas, NV,  
CES.tech, Consumer Technology Association, Roborus Co., Ltd.,  
52731 (see the red box part).

(Continued)

*Primary Examiner* — Patricia A Palasik

(74) *Attorney, Agent, or Firm* — Lex IP Meister, PLLC

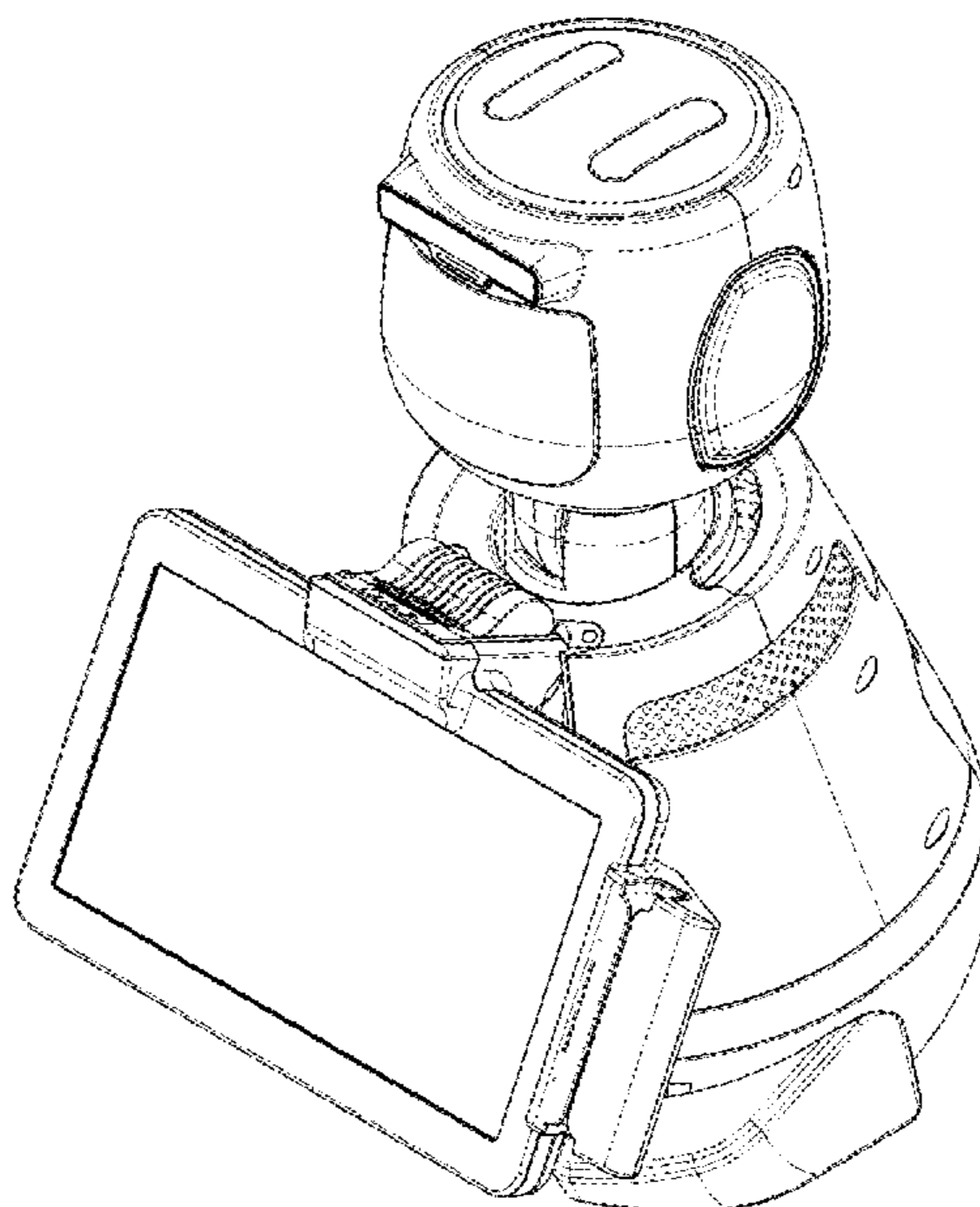
(57) **CLAIM**

The ornamental design for a robot, as shown and described.

**DESCRIPTION**

FIG. 1 is a perspective view of the robot showing my design;  
FIG. 2 is a front elevation view thereof;  
FIG. 3 is a back elevation view thereof;  
FIG. 4 is a left side elevation view thereof;  
FIG. 5 is a right side elevation view thereof;  
FIG. 6 is a top plan view thereof; and,  
FIG. 7 is a bottom plan view thereof.  
The broken lines in the drawings depict portions of the robot  
that form no part of the claimed design.

**1 Claim, 7 Drawing Sheets**



(56)

References Cited

U.S. PATENT DOCUMENTS

8,701,896 B2 \* 4/2014 Levitt ..... B01D 21/0003  
210/512.1  
8,814,629 B2 \* 8/2014 Johnston ..... A63H 33/003  
273/359  
D719,620 S \* 12/2014 Clerc ..... B25J 5/007  
D15/199  
D725,166 S \* 3/2015 Paik ..... D15/199  
D806,805 S \* 1/2018 Takahashi ..... D21/578  
9,878,445 B2 \* 1/2018 Angle ..... B25J 5/007  
D823,367 S \* 7/2018 Tsai ..... D15/199  
D830,437 S \* 10/2018 Metta ..... D15/199  
D830,438 S \* 10/2018 Haddadin ..... D15/199  
D838,758 S \* 1/2019 Kymm ..... D15/199  
10,179,406 B2 \* 1/2019 Dalibard ..... G05D 1/0214  
D842,353 S \* 3/2019 Lee ..... D15/199  
D868,907 S \* 12/2019 Liu ..... D21/578  
D872,152 S \* 1/2020 Xiong ..... D15/199  
2002/0060118 A1 \* 5/2002 Beneton ..... F16D 21/06  
192/48.8  
2003/0136627 A1 \* 7/2003 Jung ..... F16D 48/066  
192/84.6  
2004/0157704 A1 \* 8/2004 Stork ..... B60W 10/02  
477/166  
2006/0245694 A1 \* 11/2006 Chen ..... G02B 6/32  
385/71  
2007/0172175 A1 \* 7/2007 Imanbayev ..... G02B 6/3839  
385/78  
2009/0071880 A1 \* 3/2009 Castro Soto ..... B04C 5/04  
209/606  
2010/0155159 A1 \* 6/2010 Burchett ..... B60K 6/387  
180/65.21  
2010/0155160 A1 \* 6/2010 Burchett ..... B60K 6/387  
180/65.21

2011/0048770 A1 \* 3/2011 Reiterer ..... A61N 1/3754  
174/152 GM  
2011/0135189 A1 \* 6/2011 Lee ..... B25J 9/1682  
382/153  
2011/0263383 A1 \* 10/2011 Ostberg ..... F16H 61/688  
477/174  
2012/0014650 A1 \* 1/2012 Duis ..... G02B 6/3839  
385/65  
2012/0145307 A1 \* 6/2012 Margolin ..... G02B 6/3885  
156/72  
2014/0010499 A1 \* 1/2014 Suematsu ..... G02B 6/3885  
385/65  
2015/0170509 A1 \* 6/2015 Artes ..... G05D 1/0274  
340/501  
2015/0202706 A1 \* 7/2015 Brosnan ..... B23K 37/0426  
439/78  
2016/0000282 A1 \* 1/2016 Vanderstegen-Drake .....  
A47L 9/009  
280/6.157  
2016/0361813 A1 \* 12/2016 Fei ..... B25J 9/08  
2017/0080816 A1 \* 3/2017 Clerc ..... B25J 19/005  
2017/0144875 A1 \* 5/2017 Clerc ..... B66F 15/00  
2017/0154431 A1 \* 6/2017 Kim ..... G06K 9/00664  
2017/0166399 A1 \* 6/2017 Stubbs ..... B25J 9/0096  
2017/0336796 A1 \* 11/2017 Jun ..... G05D 1/0246  
2018/0103812 A1 \* 4/2018 Lee ..... A47L 9/066  
2018/0120512 A1 \* 5/2018 Nakama ..... G02B 6/36

OTHER PUBLICATIONS

Woong Rae No, "Roborus, introducing the overall manageable concierge robot in the store", Internet News and its English Translation, <http://kr.aving.net/news/view.php?articleId=1383327>, Jan. 16, 2018.

\* cited by examiner

FIG. 1

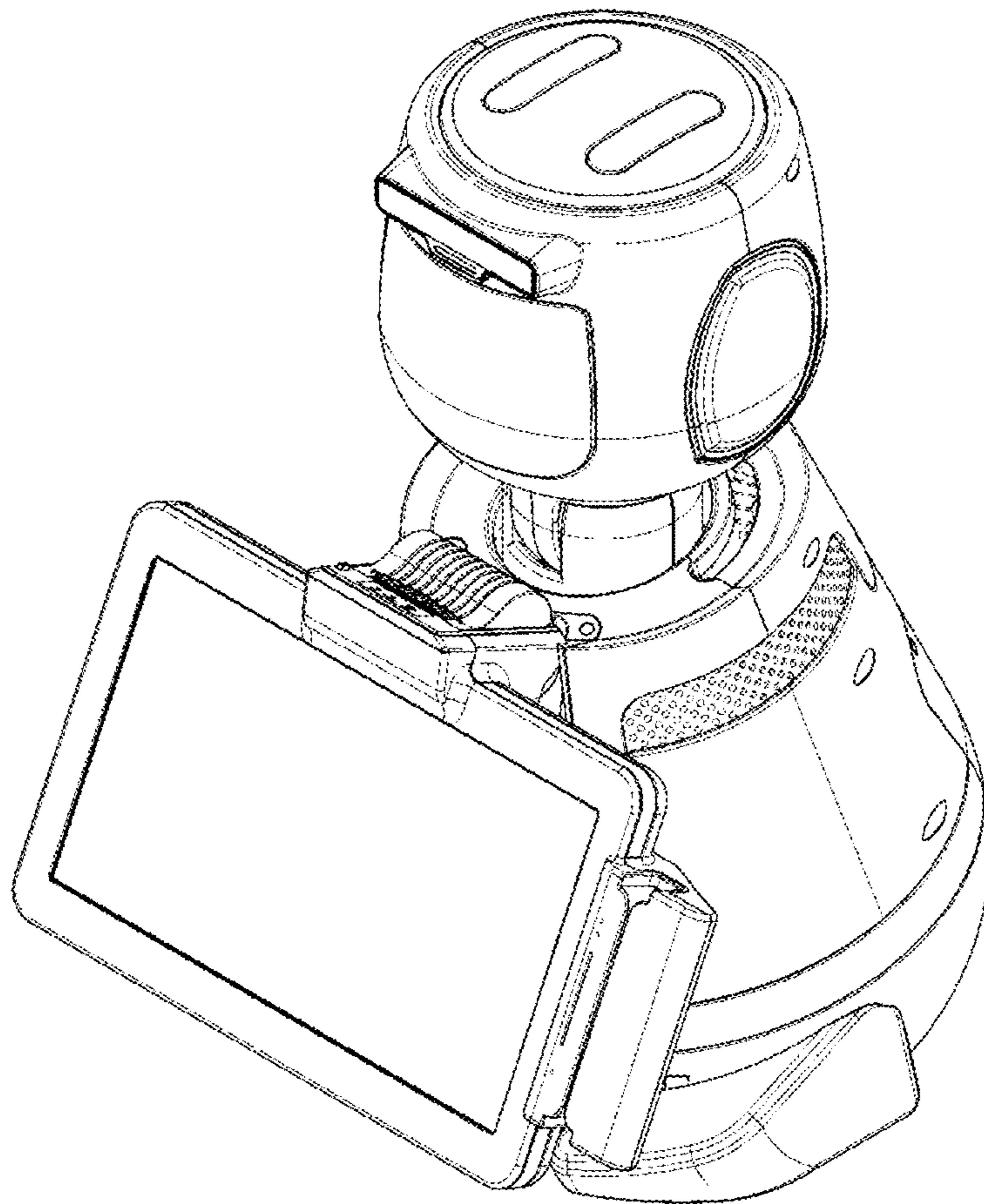


FIG. 2

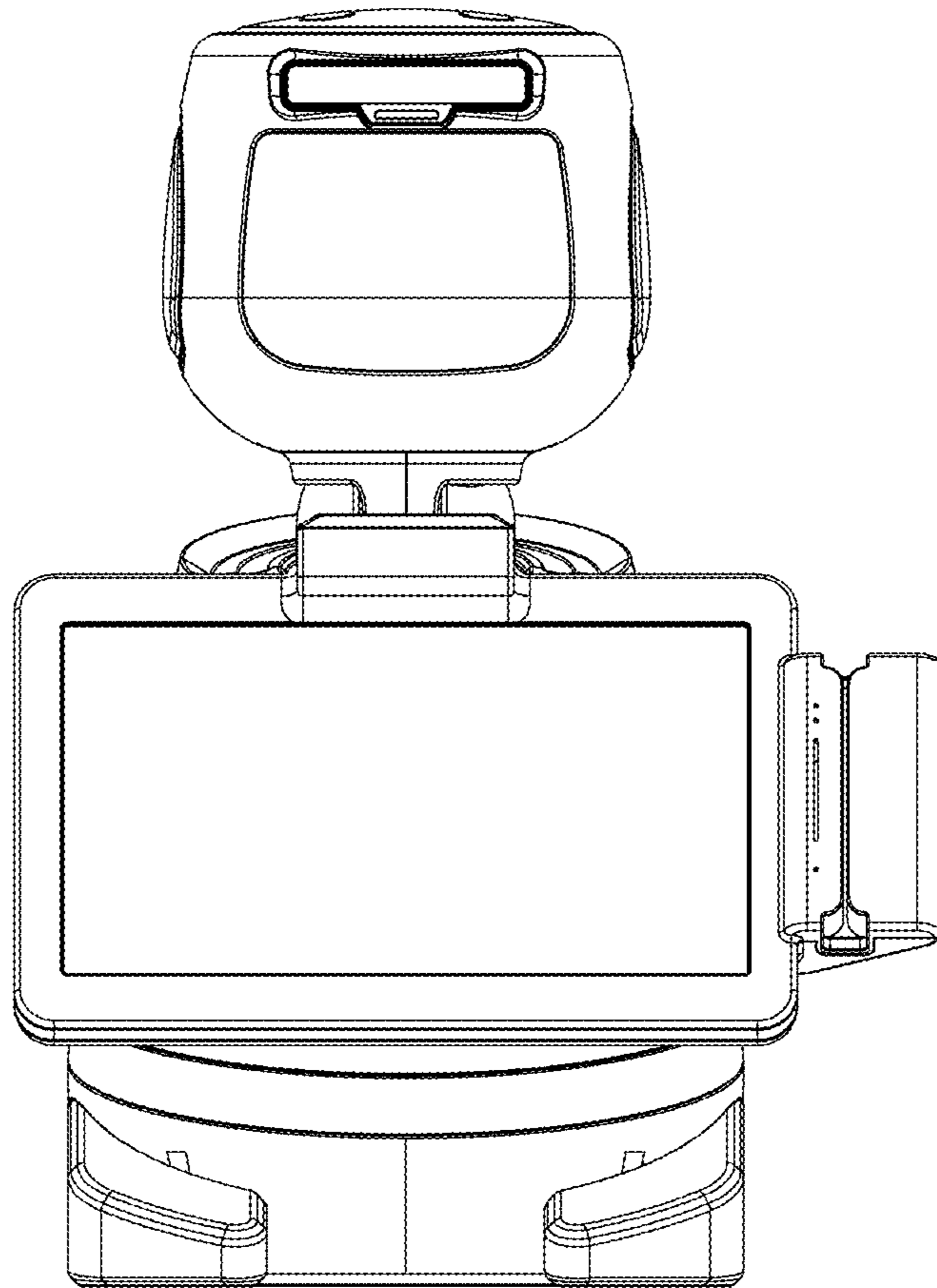


FIG. 3

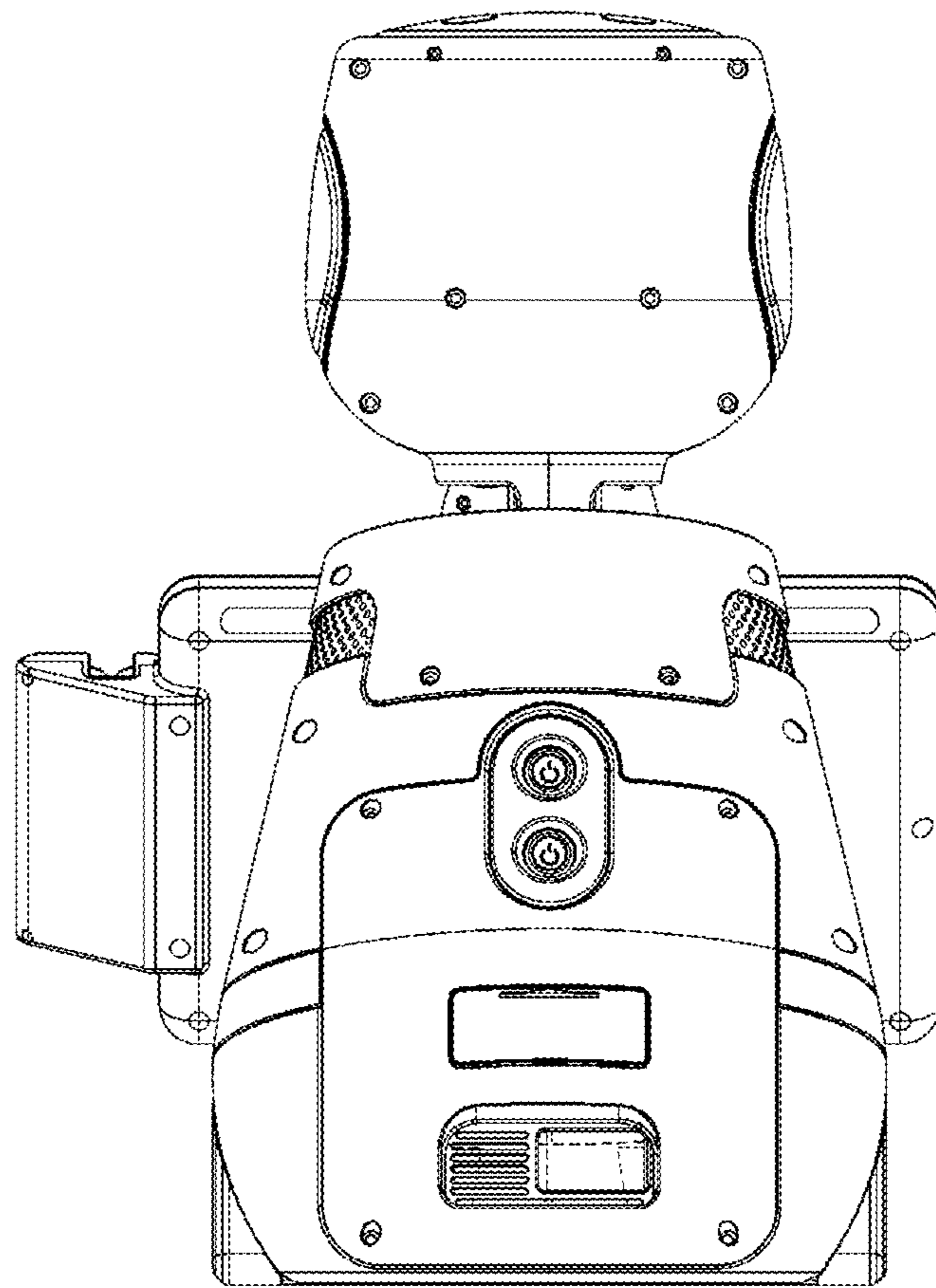


FIG. 4

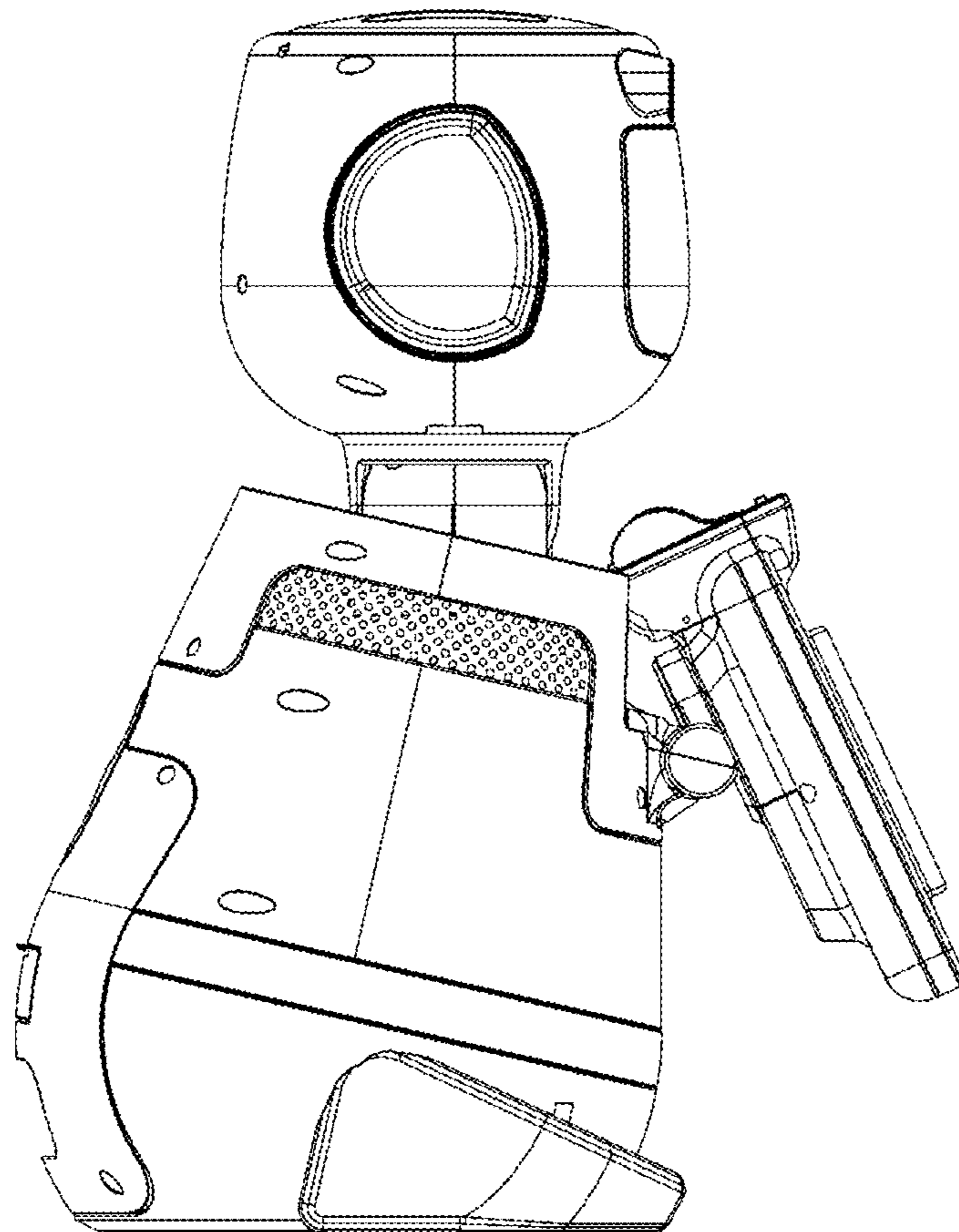


FIG. 5

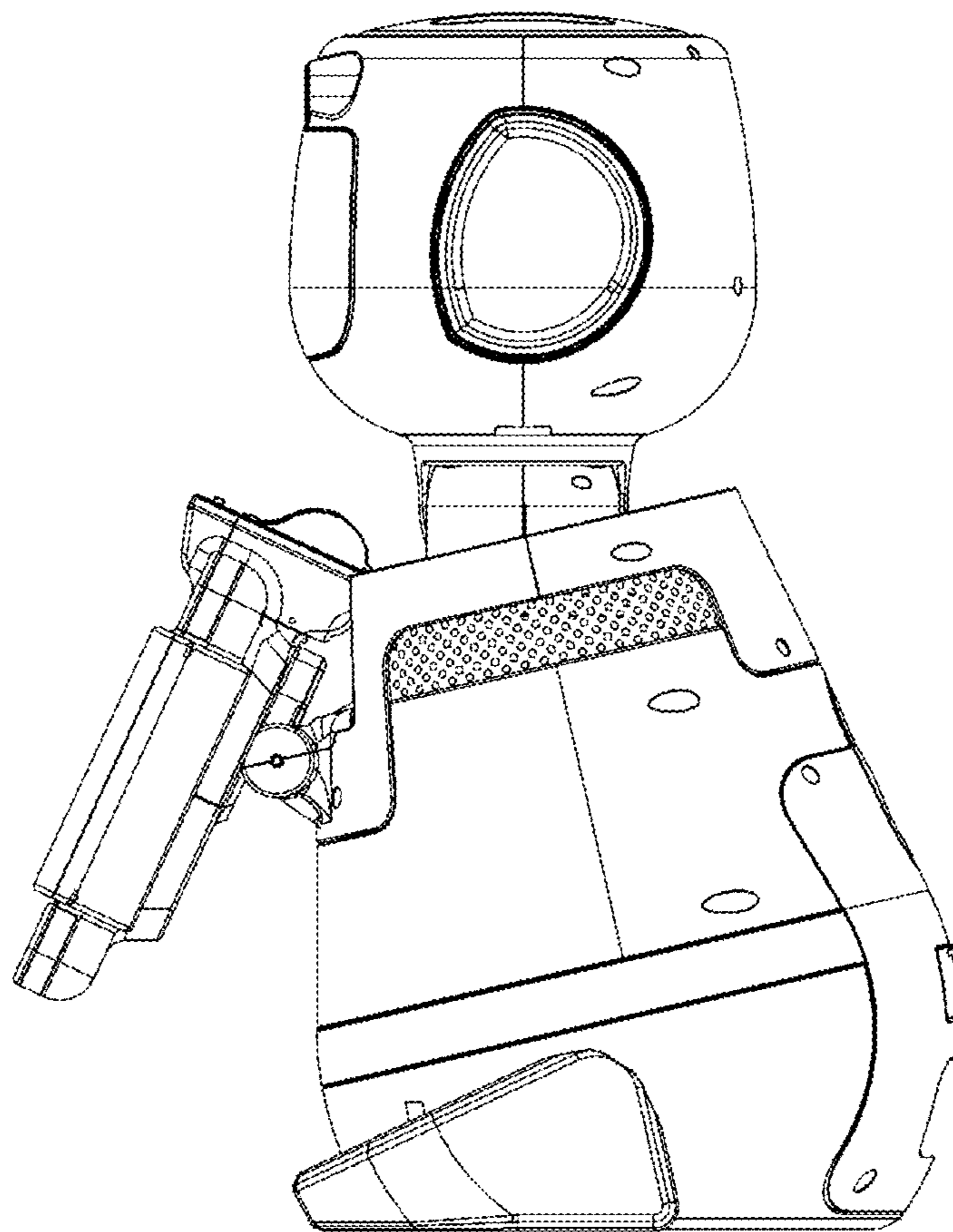


FIG. 6

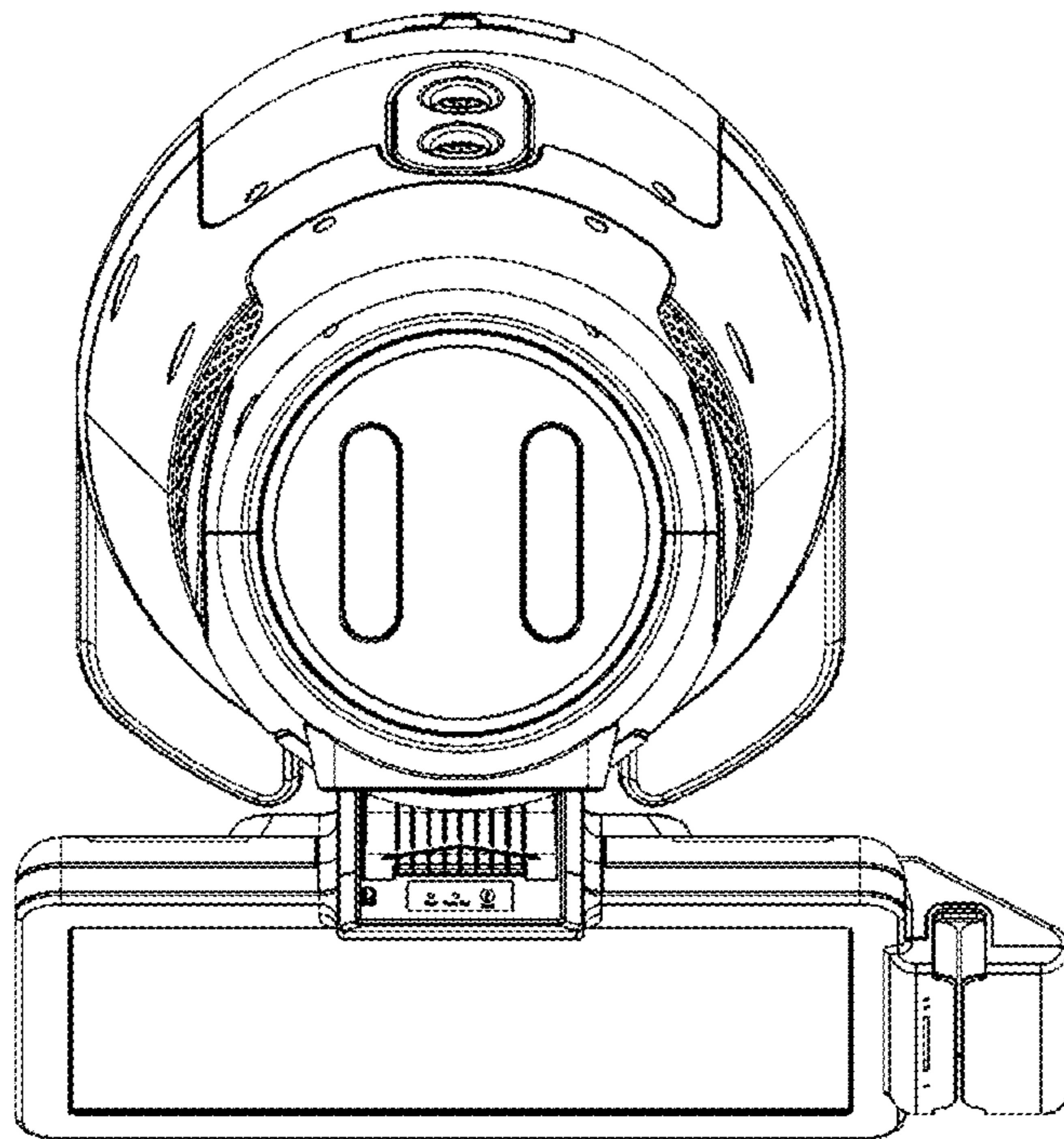




FIG. 7

