



US00D894247S

(12) **United States Design Patent**
Ishibashi et al.

(10) **Patent No.:** **US D894,247 S**
(45) **Date of Patent:** **** Aug. 25, 2020**

(54) **GRIPPER**
(71) Applicant: **SMC CORPORATION**, Tokyo (JP)
(72) Inventors: **Koichiro Ishibashi**, Tsukubamirai (JP);
Koji Hara, Tsukubamirai (JP);
Tsuyoshi Sasaki, Tsukubamirai (JP)
(73) Assignee: **SMC CORPORATION**, Tokyo (JP)
(**) Term: **15 Years**
(21) Appl. No.: **29/639,917**
(22) Filed: **Mar. 9, 2018**

4,725,087 A * 2/1988 Kato B25J 15/00
294/86.4
D459,806 S * 7/2002 Webb D24/133
6,938,938 B2 * 9/2005 Risle B25J 15/0253
294/119.1
D588,431 S * 3/2009 Fukano D8/72
8,474,893 B2 * 7/2013 Kawanami B25J 15/0213
294/106
8,833,823 B2 * 9/2014 Price B66C 1/44
294/198
D811,188 S * 2/2018 Zimmerman D8/72
D811,189 S * 2/2018 Zimmerman D8/72
9,912,130 B1 * 3/2018 Burns B25B 9/04
9,956,691 B1 * 5/2018 Pentzer B25J 15/12
D827,677 S * 9/2018 Zimmerman D15/28
(Continued)

(30) **Foreign Application Priority Data**
Sep. 11, 2017 (JP) 2017-019707
(51) **LOC (12) Cl.** **15-09**
(52) **U.S. Cl.**
USPC **D15/199**
(58) **Field of Classification Search**
USPC D8/71-74; D15/199
CPC B25J 11/0045; B25J 13/086; B25J 15/08;
B25J 15/024; B25J 15/026; B25J 15/028;
B25J 15/0042; B25J 15/0475; B25J
15/02262; B65G 47/90; H05K 13/02;
Y10S 294/902; Y10S 294/907
See application file for complete search history.

FOREIGN PATENT DOCUMENTS

JP 1065742 S 4/2000
JP 1065742-001 S 10/2000
(Continued)

Primary Examiner — Patricia A Palasik
(74) *Attorney, Agent, or Firm* — Birch, Stewart, Kolasch
& Birch, LLP

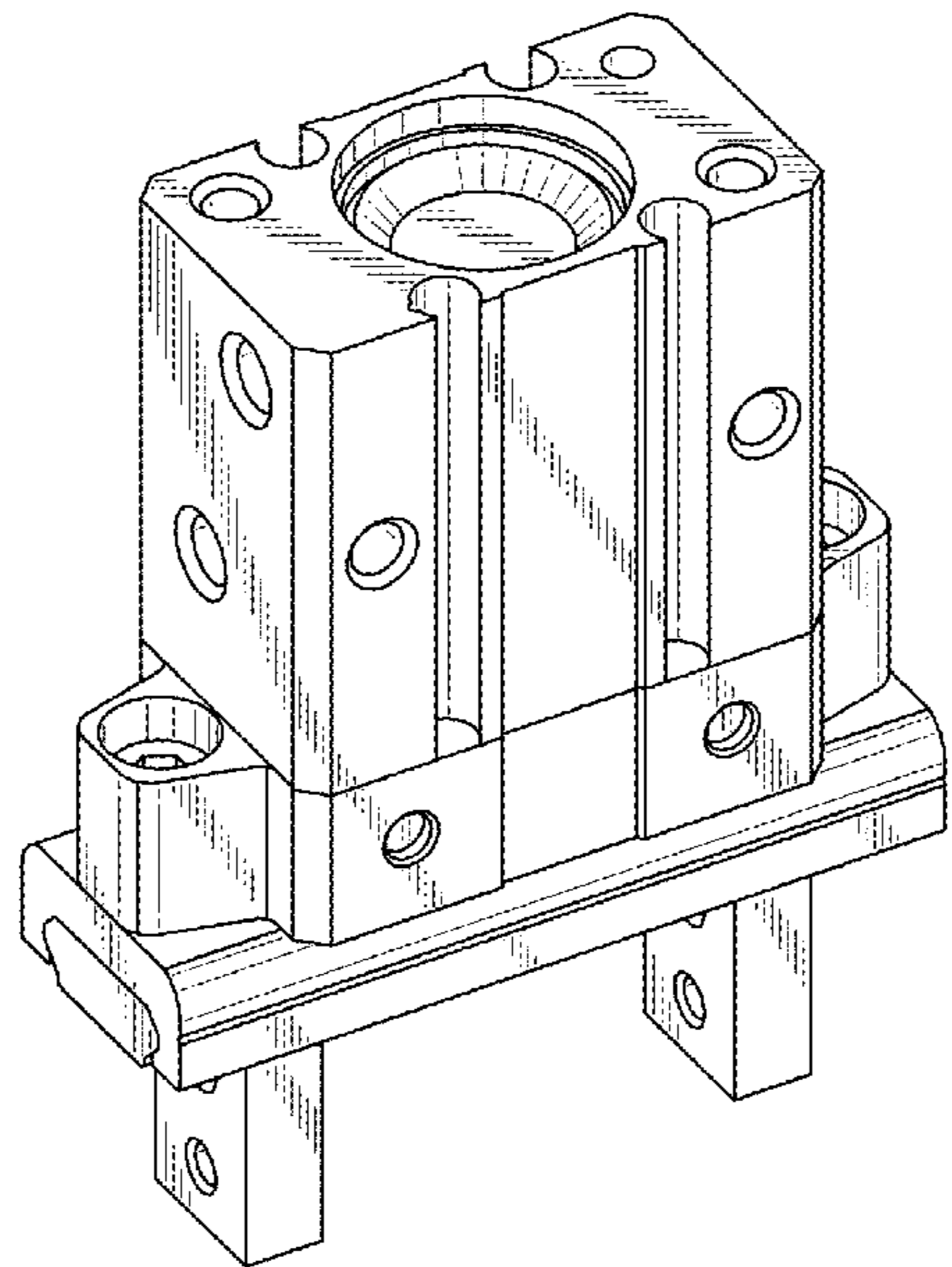
(57) **CLAIM**
The ornamental design for a gripper, as shown.

DESCRIPTION

FIG. 1 is a front, top and left side perspective view of a gripper showing our new design;
FIG. 2 is a rear, bottom and right side perspective view thereof;
FIG. 3 is a front view thereof;
FIG. 4 is a rear view thereof;
FIG. 5 is a top plan view thereof;
FIG. 6 is a bottom plan view thereof;
FIG. 7 is a left side view thereof; and,
FIG. 8 is a right side view thereof.

(56) **References Cited**
U.S. PATENT DOCUMENTS
4,461,608 A * 7/1984 Boda B65F 3/041
294/106
4,607,873 A * 8/1986 Nusbaumer B25J 13/086
294/106
4,699,414 A * 10/1987 Jones B25J 15/026
294/119.1

1 Claim, 8 Drawing Sheets



(56)

References Cited

U.S. PATENT DOCUMENTS

2004/0070225 A1* 4/2004 Meinicke G01N 35/0099
294/86.4
2004/0113343 A1* 6/2004 McIntosh B25B 5/087
269/32
2015/0028609 A1* 1/2015 Hansen B66C 1/108
294/81.55
2018/0318984 A1* 11/2018 Tarbell B25B 9/04
2018/0354130 A1* 12/2018 Preisinger B25J 9/1694

FOREIGN PATENT DOCUMENTS

JP 1107401 S 4/2001
JP 1124386 S 10/2001
JP 1333460 S 6/2008

* cited by examiner

FIG. 1

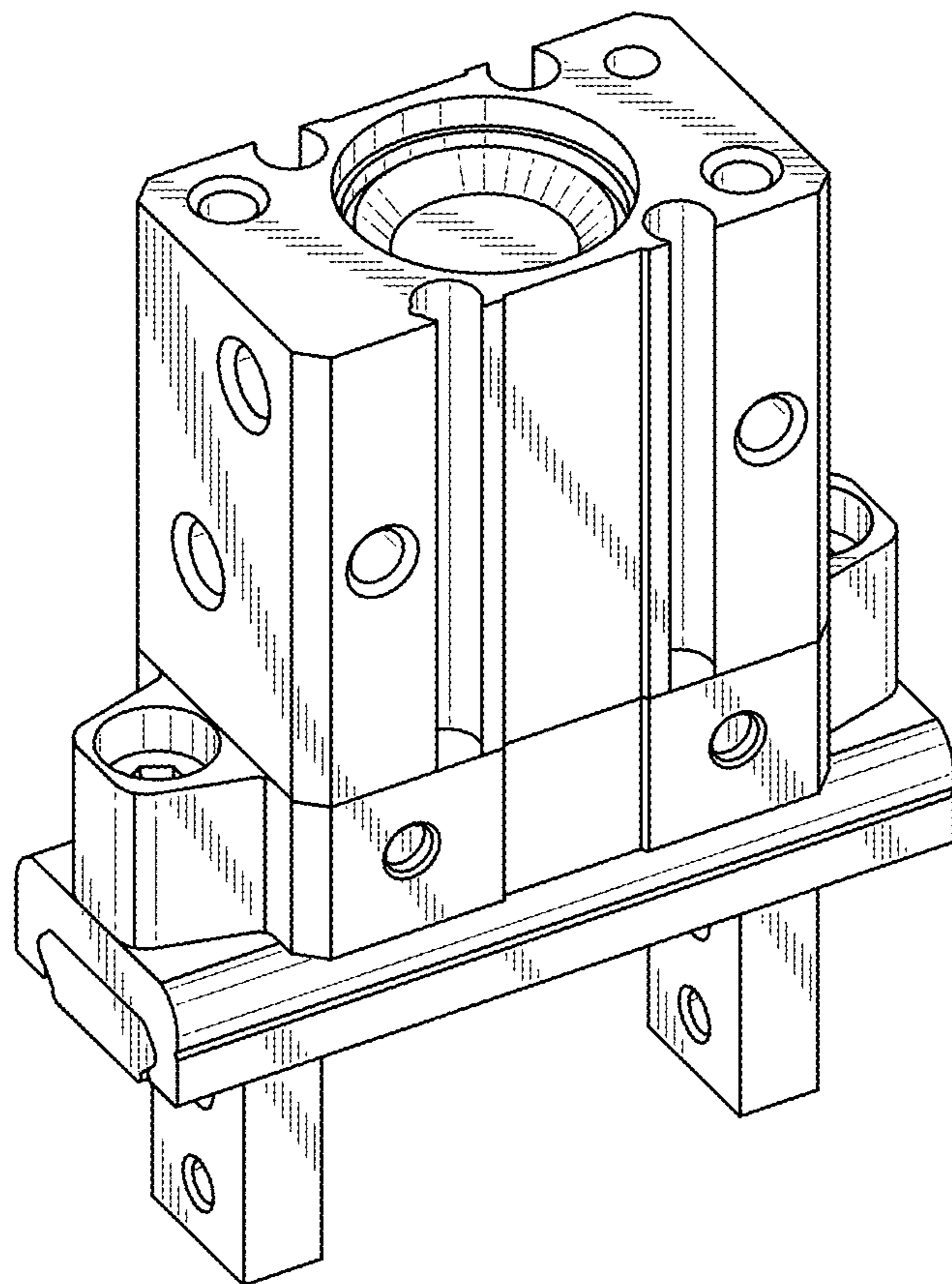


FIG. 2

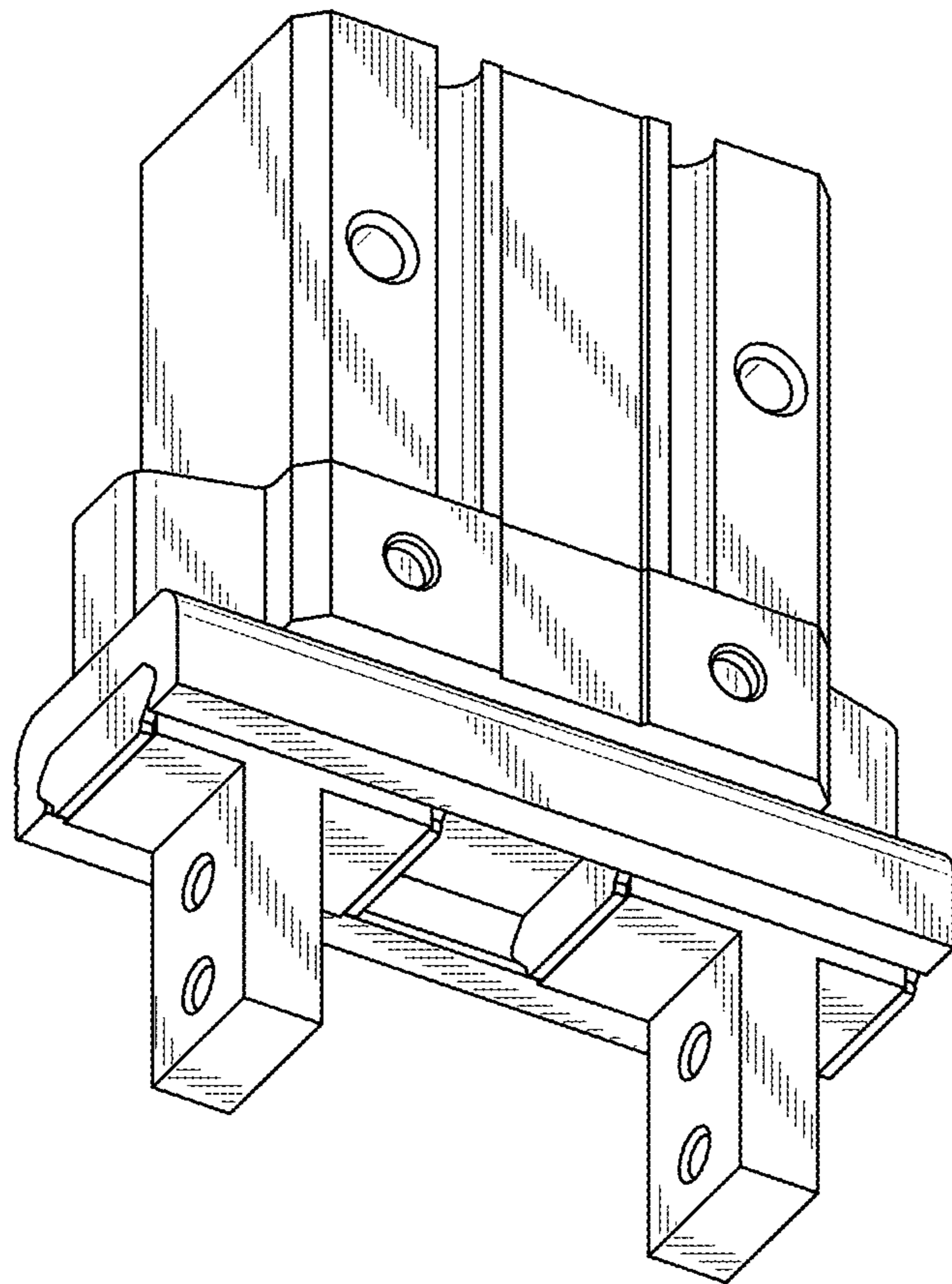


FIG. 3

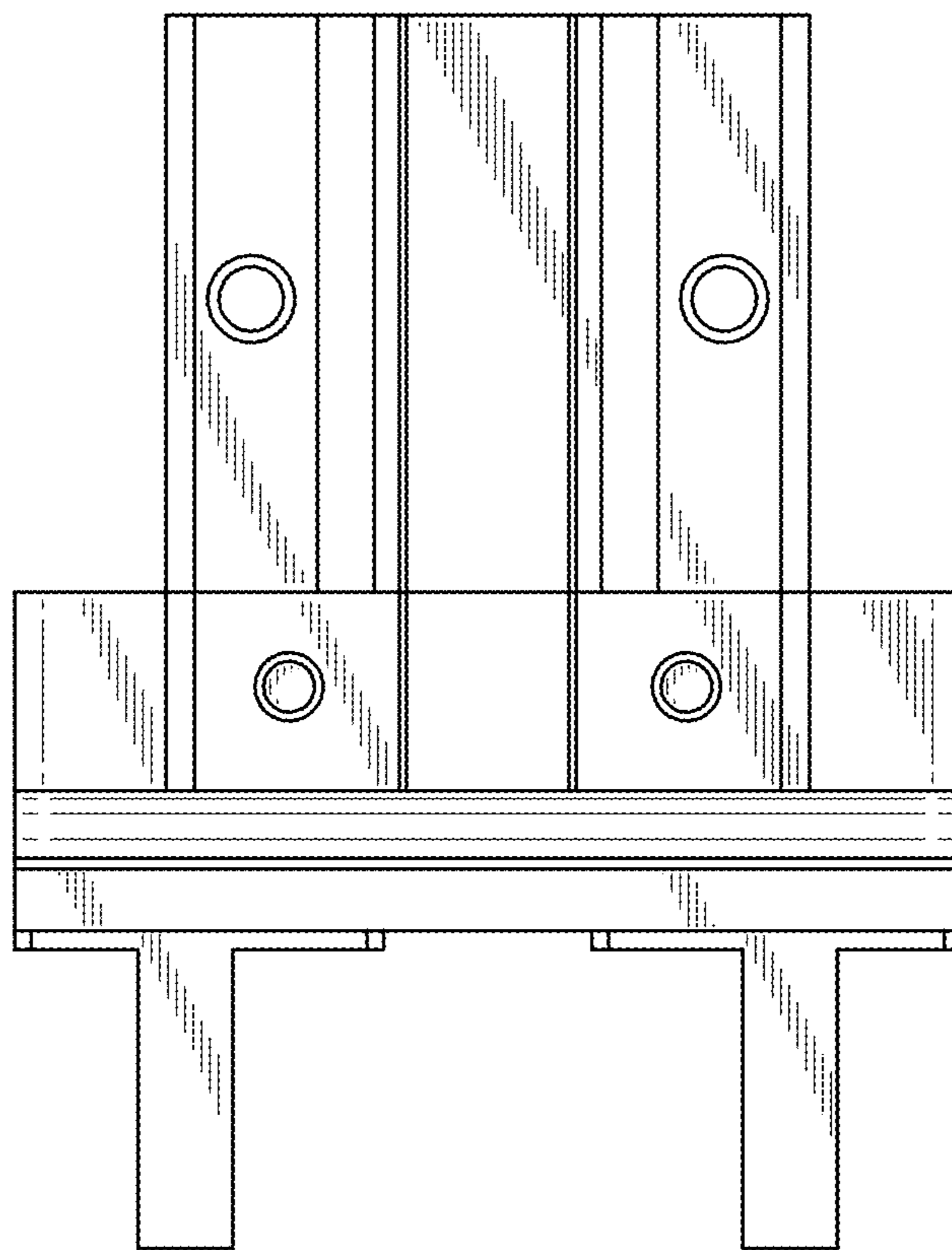


FIG. 4

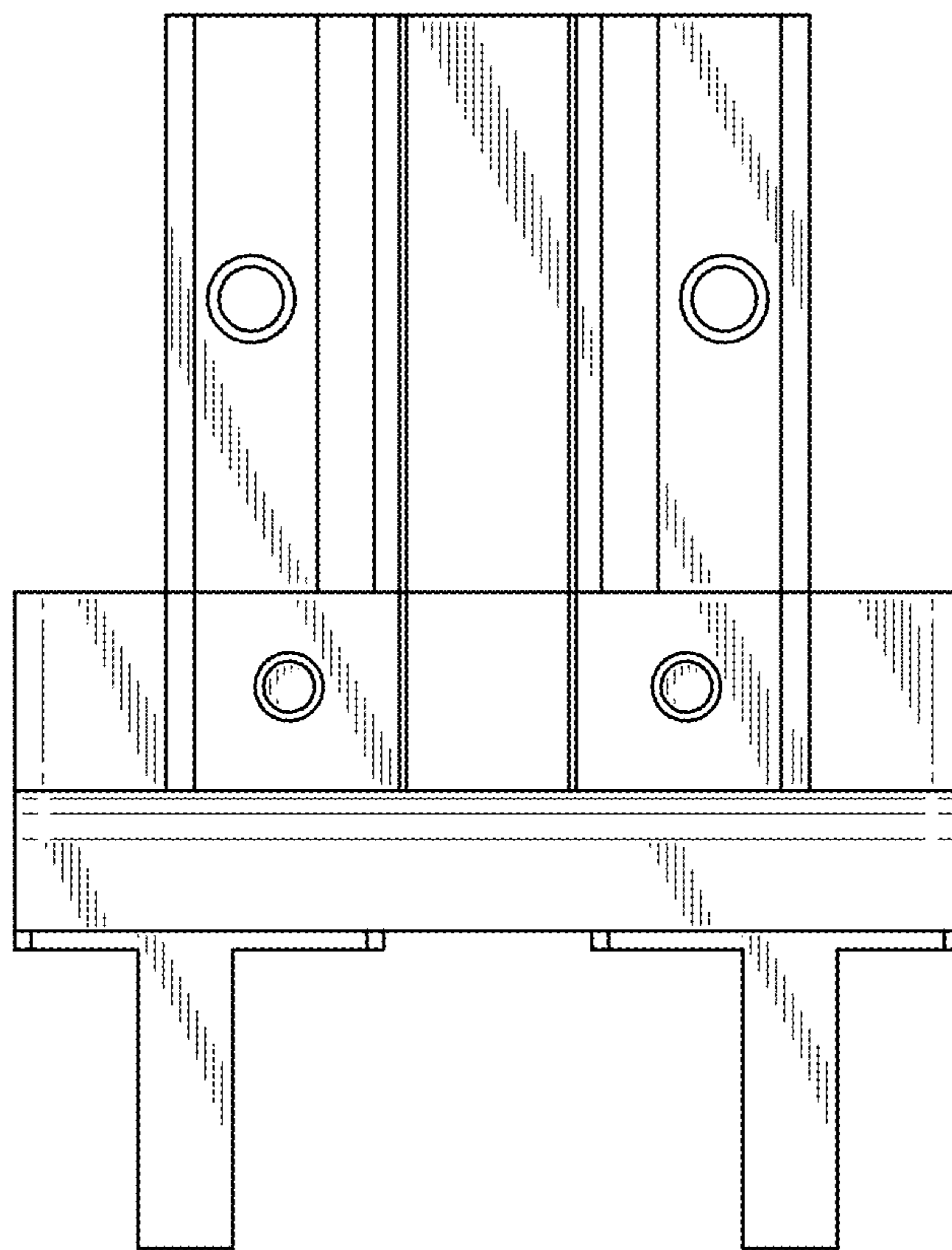


FIG. 5

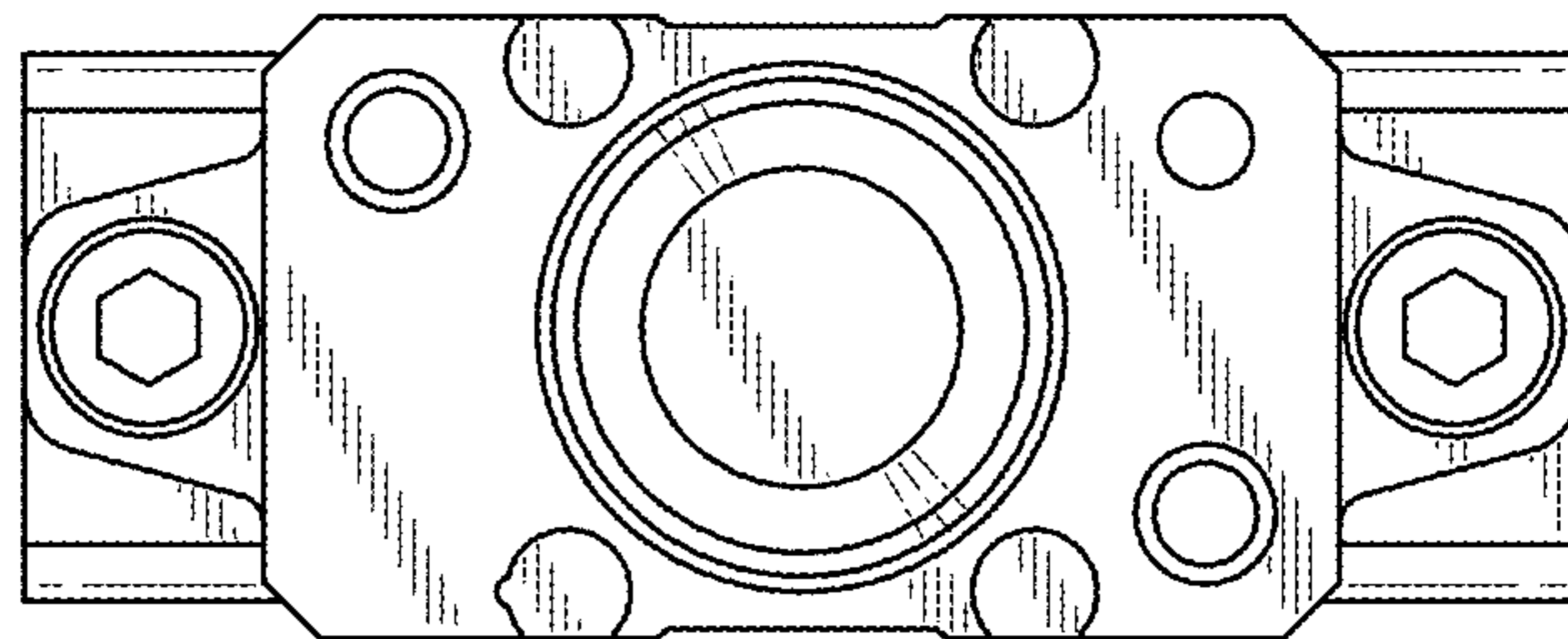


FIG. 6

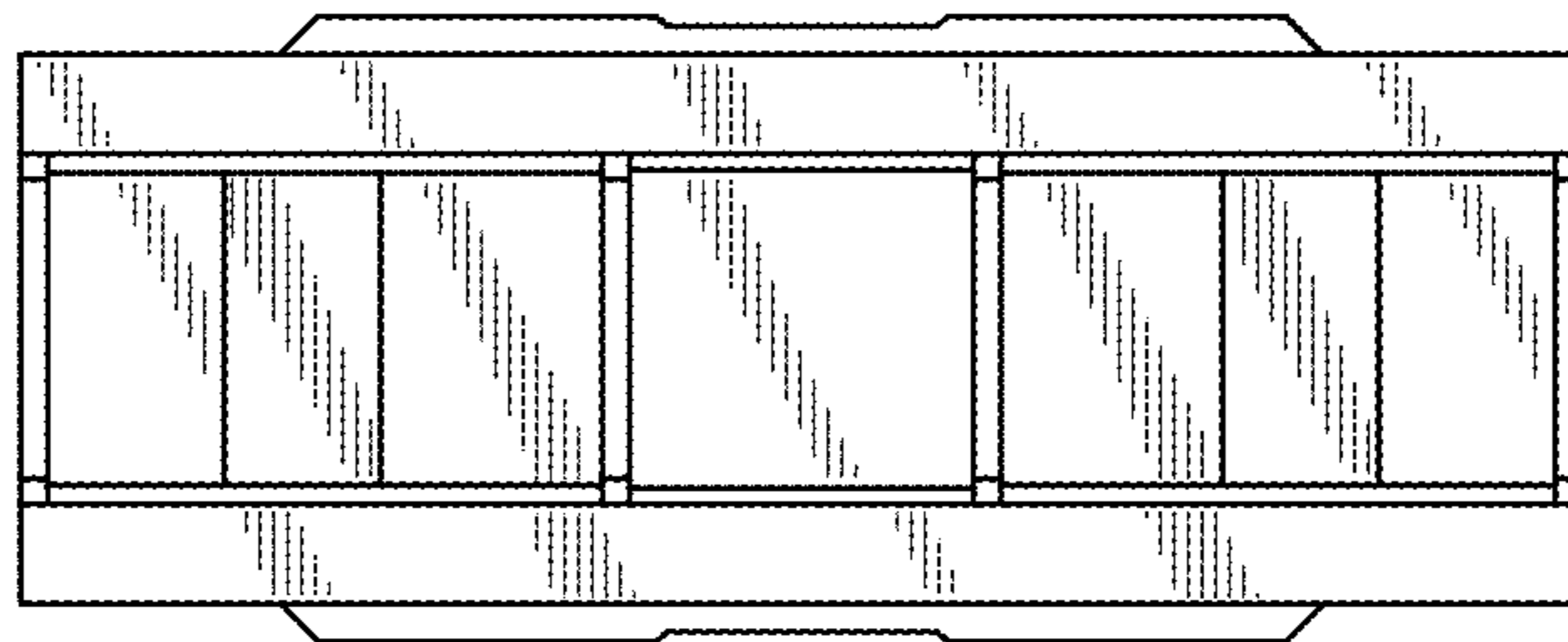


FIG. 7

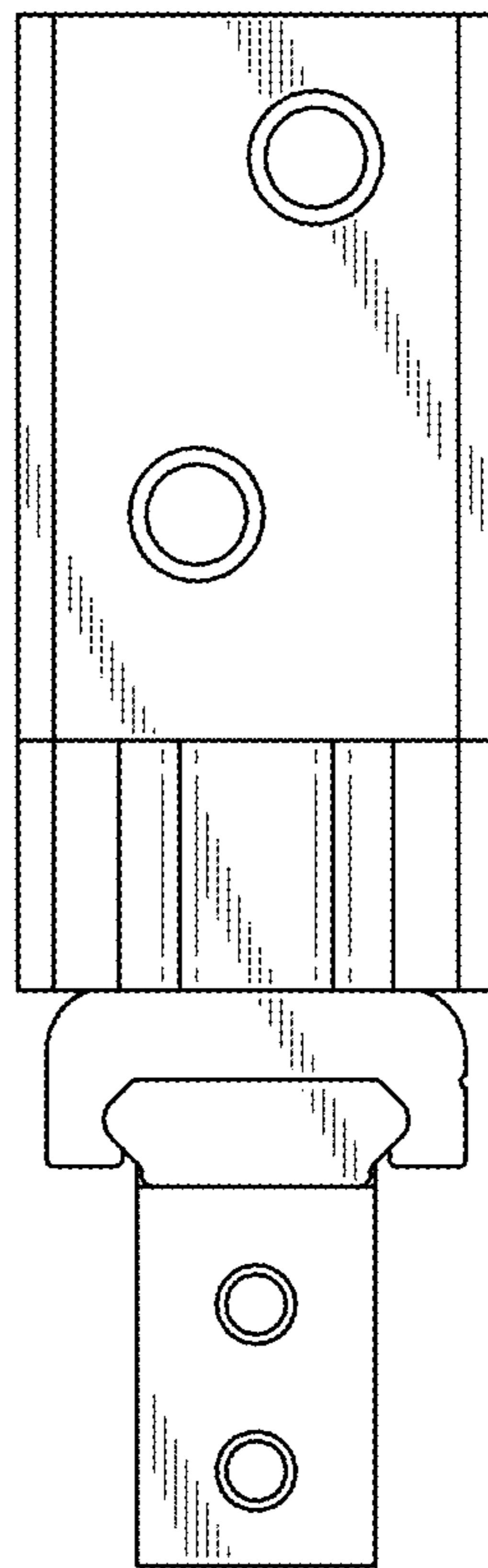


FIG. 8

