

US00D894246S

(12) **United States Design Patent** (10) **Patent No.:** **US D894,246 S**  
**Tsai** (45) **Date of Patent:** **\*\* Aug. 25, 2020**

(54) **GAS COMBUSTOR**  
(71) Applicant: **ROBURN COMPANY LTD.**, New Taipei (TW)  
(72) Inventor: **Chin-Lin Tsai**, New Taipei (TW)  
(73) Assignee: **ROBURN COMPANY LTD.**, New Taipei (TW)  
(\*\*) Term: **15 Years**

(21) Appl. No.: **29/692,283**  
(22) Filed: **May 23, 2019**

(30) **Foreign Application Priority Data**  
Dec. 26, 2018 (TW) ..... 107307612  
(51) **LOC (12) Cl.** ..... **15-09**  
(52) **U.S. Cl.**  
USPC ..... **D15/144; D7/416**  
(58) **Field of Classification Search**  
USPC ..... D7/416; D8/29, 29.1, 29.2, 30, 68, 107;  
D15/144, 144.1, 144.2; D27/139, 154,  
D27/157  
CPC ..... B23K 9/0956; B23K 9/10; B23K 9/173;  
B23K 9/285; B23K 9/295; B23K 9/32  
See application file for complete search history.

(56) **References Cited**  
U.S. PATENT DOCUMENTS  
D376,302 S \* 12/1996 Tsai ..... D8/29.1  
D456,428 S \* 4/2002 Aronson, II ..... D15/144

D472,764 S \* 4/2003 Hsu ..... D7/416  
D477,747 S \* 7/2003 Hsu ..... D7/416  
D515,356 S \* 2/2006 Chen ..... D27/154  
D519,800 S \* 5/2006 Glover ..... D8/29.1  
D667,993 S \* 9/2012 Lin ..... D27/139  
D667,994 S \* 9/2012 Lin ..... D27/139  
D809,343 S \* 2/2018 Kotani ..... D7/416  
D847,232 S \* 4/2019 Zahriya ..... D15/144  
D861,429 S \* 10/2019 Lin ..... D7/416  
D867,413 S \* 11/2019 Tsai ..... D15/144  
D882,654 S \* 4/2020 Tsai ..... D15/144

\* cited by examiner

*Primary Examiner* — Michael C Stout  
*Assistant Examiner* — Fritzgerald L Butac  
(74) *Attorney, Agent, or Firm* — Guice Patents PLLC

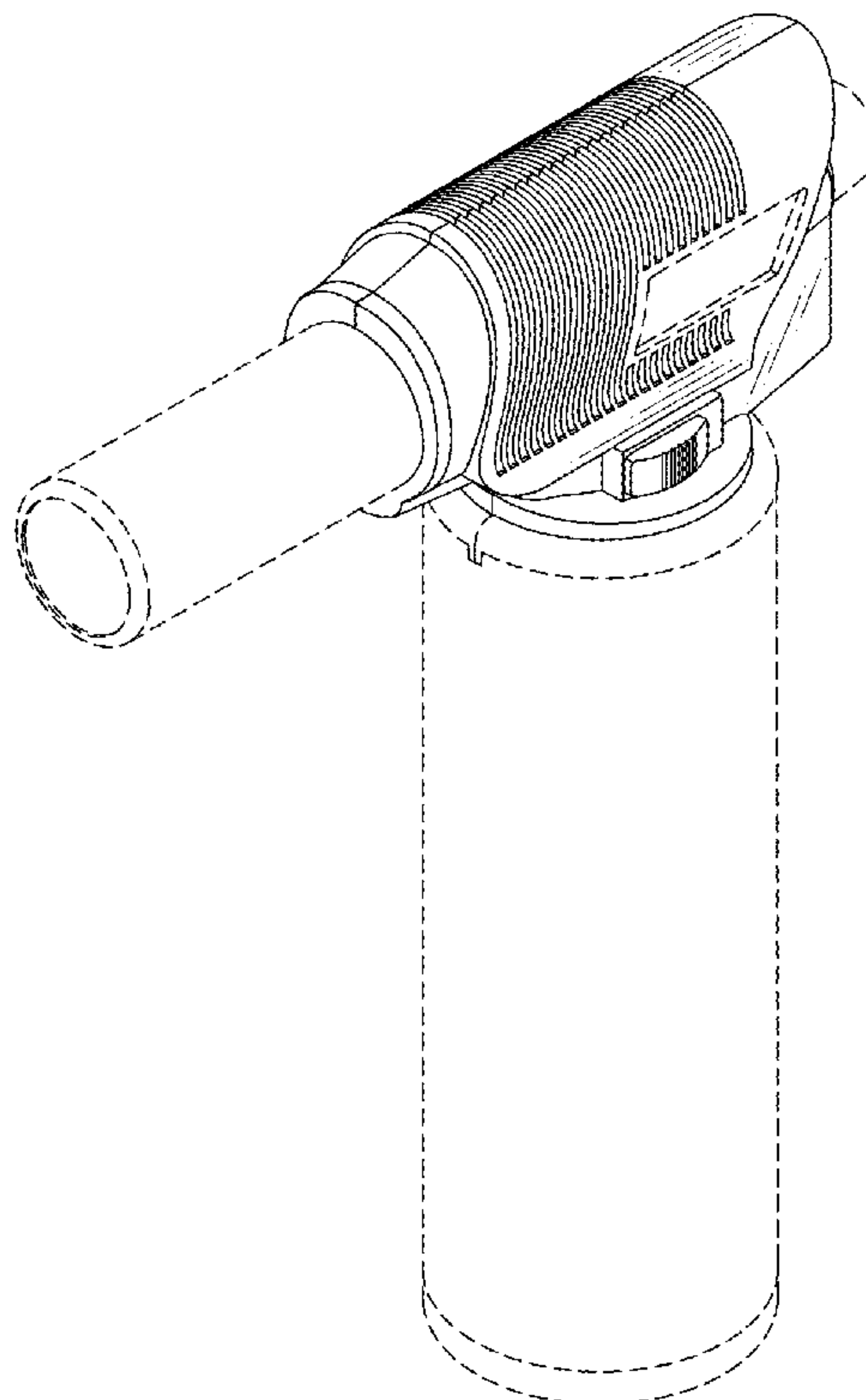
(57) **CLAIM**

The ornamental design for a gas combustor, as shown and described.

**DESCRIPTION**

FIG. 1 is a perspective view of a gas combustor showing the design;  
FIG. 2 is a front side elevation view thereof;  
FIG. 3 is a rear side elevation view thereof;  
FIG. 4 is a left side elevation view thereof;  
FIG. 5 is a right side elevation view thereof;  
FIG. 6 is a top plan view thereof; and,  
FIG. 7 is a bottom plan view thereof.  
The broken lines show portions of a gas combustor that form no part of the claimed design.

**1 Claim, 5 Drawing Sheets**



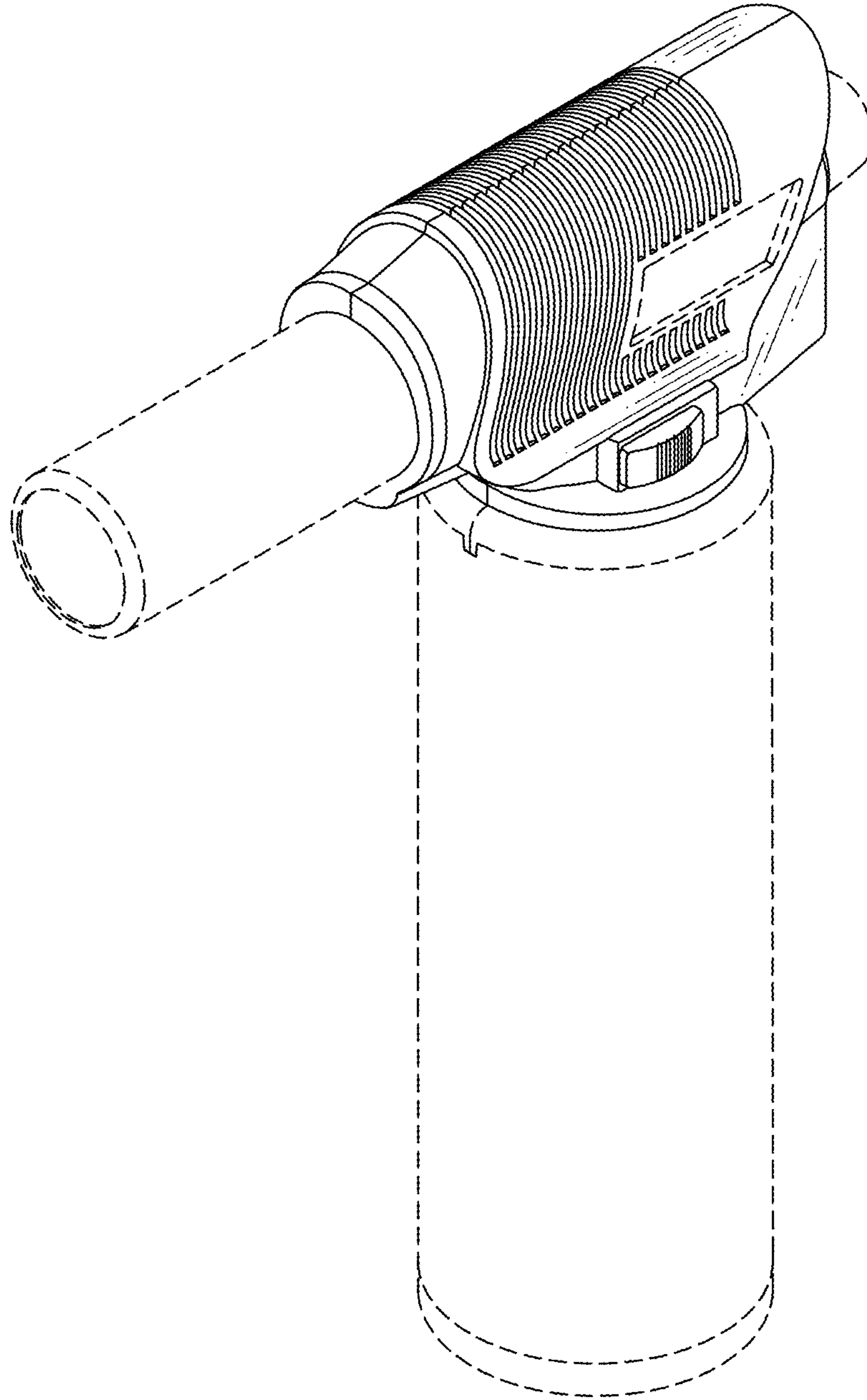


FIG. 1

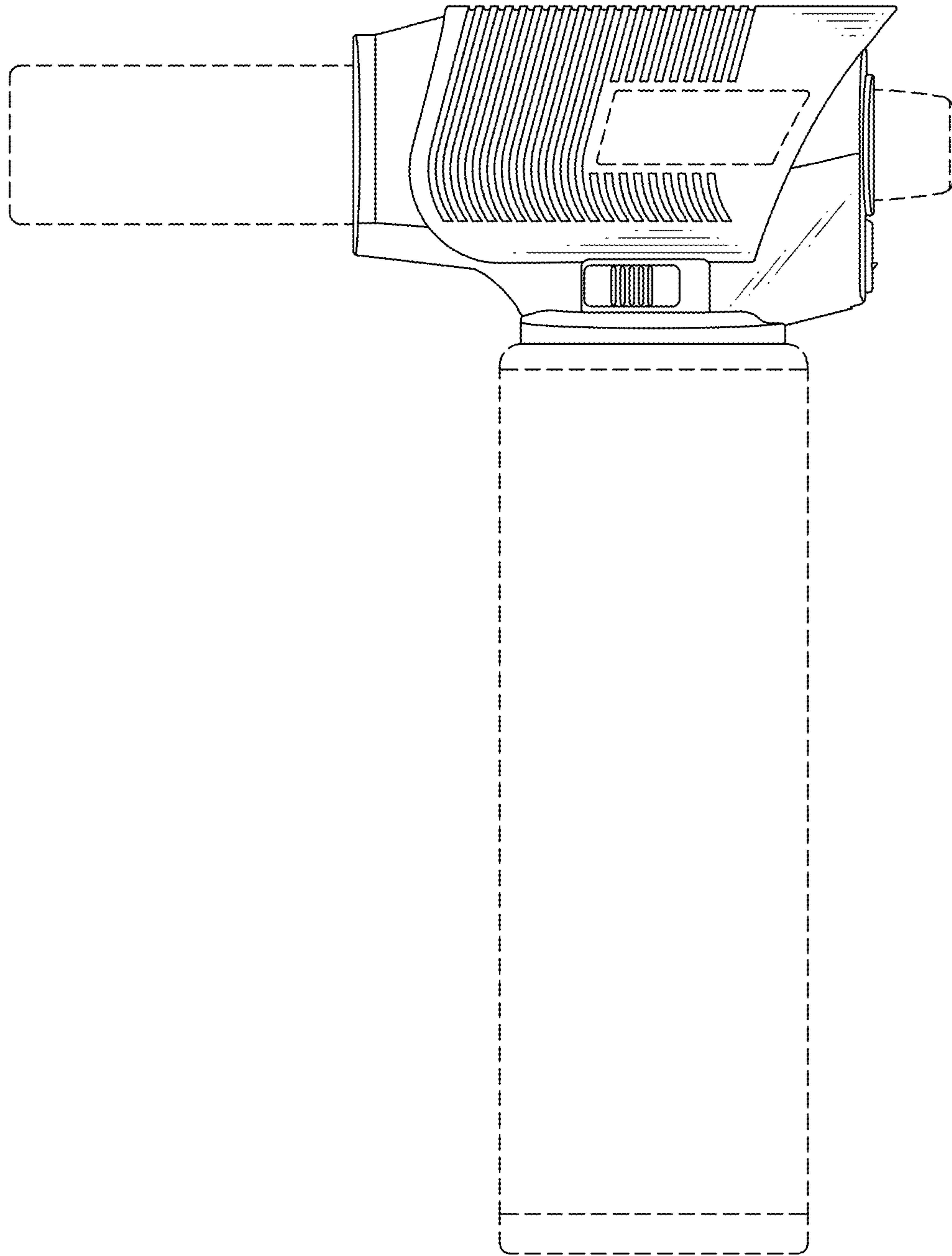


FIG. 2

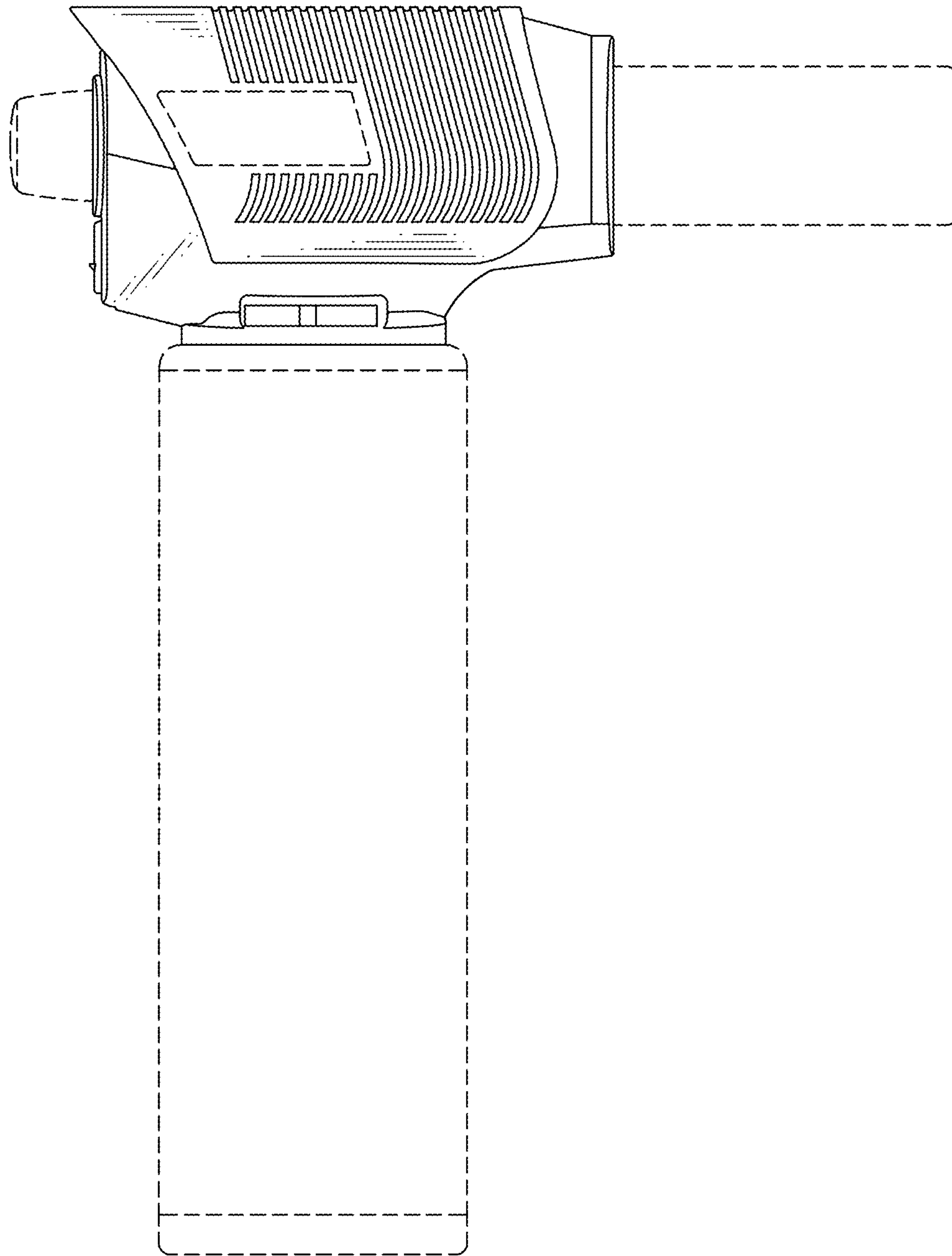


FIG. 3

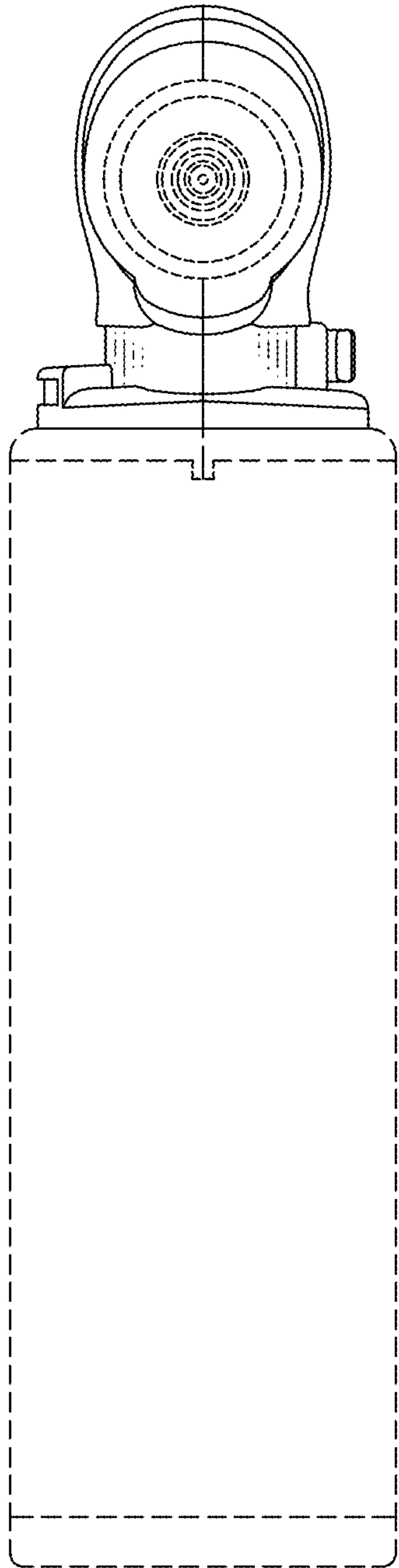


FIG. 4

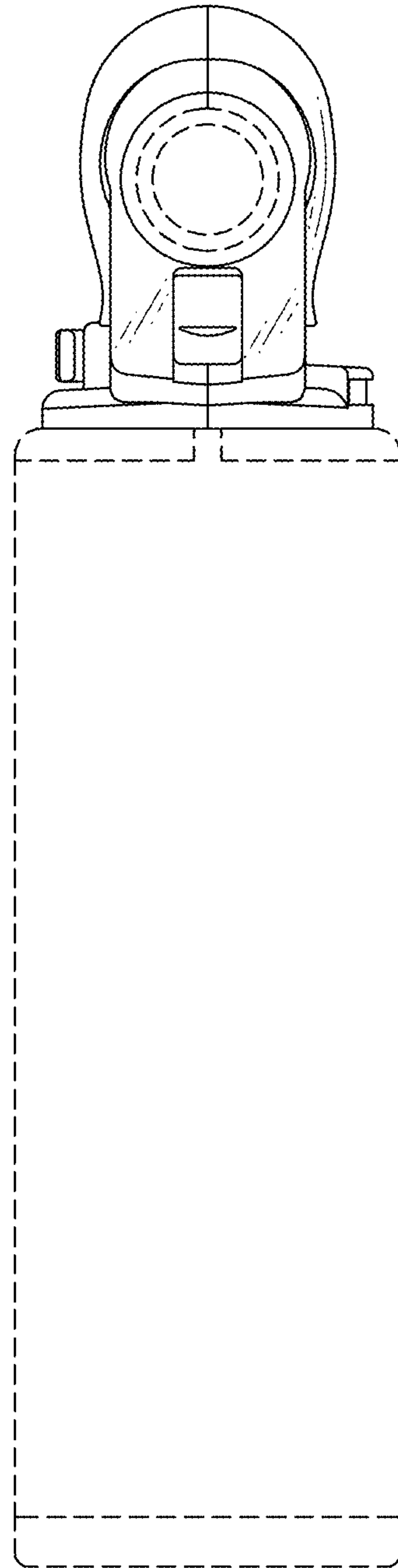


FIG. 5

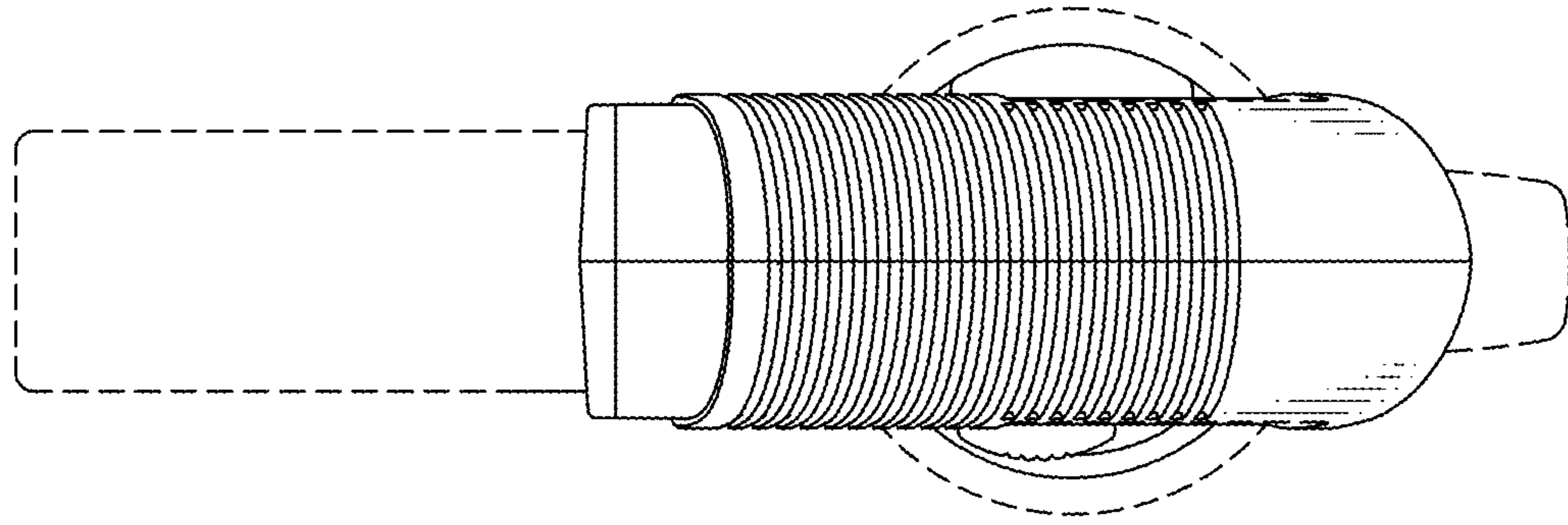


FIG. 6

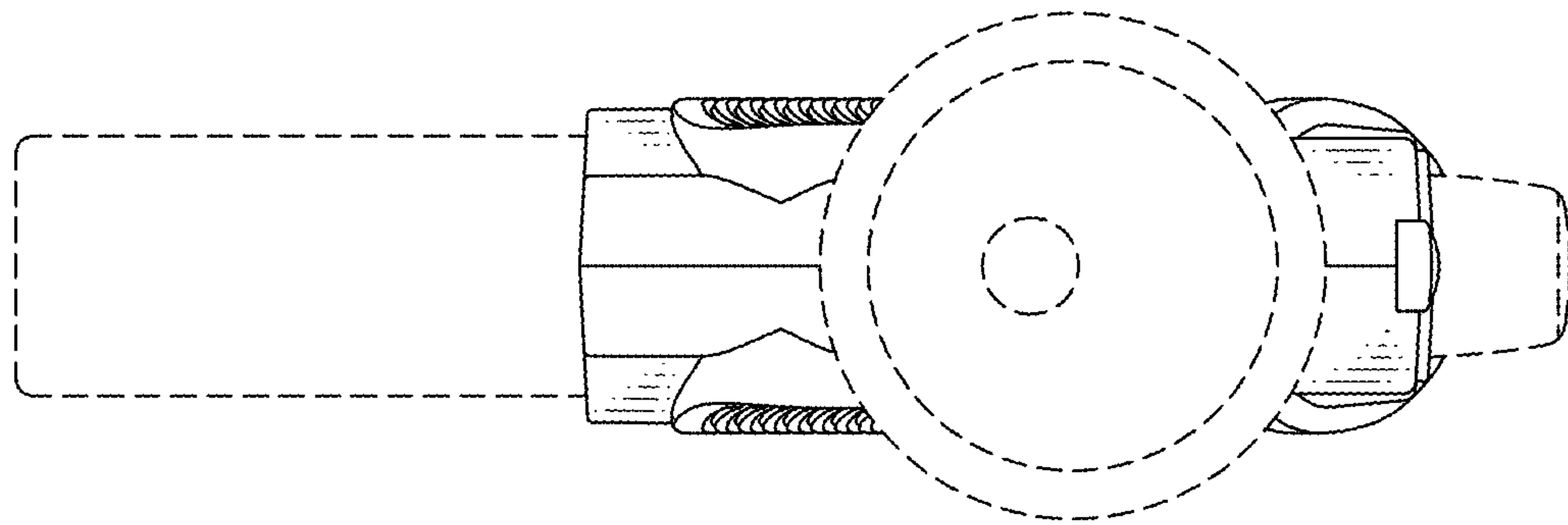


FIG. 7