

US00D894243S

(12) **United States Design Patent** (10) **Patent No.:** **US D894,243 S**
Loew (45) **Date of Patent:** **** Aug. 25, 2020**

(54) **SIDE DOOR OF A PAVER**
(71) Applicant: **BOMAG GmbH**, Boppard (DE)
(72) Inventor: **Roland Loew**, Klein-Winternheim (DE)
(73) Assignee: **BOMAG GmbH**, Boppard (DE)
(**) Term: **15 Years**
(21) Appl. No.: **29/671,520**
(22) Filed: **Nov. 28, 2018**
(30) **Foreign Application Priority Data**

Jun. 4, 2018 (EM) 005295680-0010

(51) **LOC (12) Cl.** **15-03**
(52) **U.S. Cl.**
USPC **D15/28**
(58) **Field of Classification Search**
USPC D15/10, 13, 19, 22-26, 28; 404/75, 108,
404/101, 102, 110, 118, 87.05
CPC E01C 19/18; E01C 19/00; E01C 19/182;
E01C 19/22; E01C 19/42; E01C 19/20
See application file for complete search history.

(56) **References Cited**

U.S. PATENT DOCUMENTS

D135,005 S * 2/1943 Baumgardner D15/10
D239,966 S 5/1976 Swisher, Jr. et al.
3,997,277 A 12/1976 Swisher, Jr. et al.
5,009,546 A 4/1991 Domenighetti et al.
5,201,603 A 4/1993 Bassett et al.
5,201,604 A 4/1993 Ferguson et al.
5,511,900 A 4/1996 Macku
D398,289 S 9/1998 Burke
6,007,272 A 12/1999 Macku et al.
6,071,040 A 6/2000 Macku et al.
D432,963 S 10/2000 Meinhardt
D454,567 S 3/2002 Hayes et al.

D454,878 S 3/2002 Hayes et al.
D518,082 S 3/2006 Muto
D525,212 S 7/2006 Kim
D525,409 S 7/2006 Cantrill et al.
D527,393 S * 8/2006 Maas D15/10
D533,569 S * 12/2006 Mursch D15/28
D553,580 S 10/2007 Hobson
D557,218 S 12/2007 Ewringmann
D576,563 S 9/2008 Kaluza
D578,142 S 10/2008 Ewringmann
D587,212 S 2/2009 Hartwick
D590,122 S 4/2009 Shaw et al.
D599,825 S * 9/2009 Schneider D15/19
D632,308 S 2/2011 Kopacz et al.
D650,396 S * 12/2011 Ewringmann D15/22
D652,063 S 1/2012 Takeuchi et al.
D652,432 S * 1/2012 Kopacz D15/19
D652,433 S 1/2012 Takeuchi et al.
D659,343 S 5/2012 Saitou et al.

(Continued)

Primary Examiner — Mark A Goodwin

(74) *Attorney, Agent, or Firm* — Wood Herron & Evans LLP

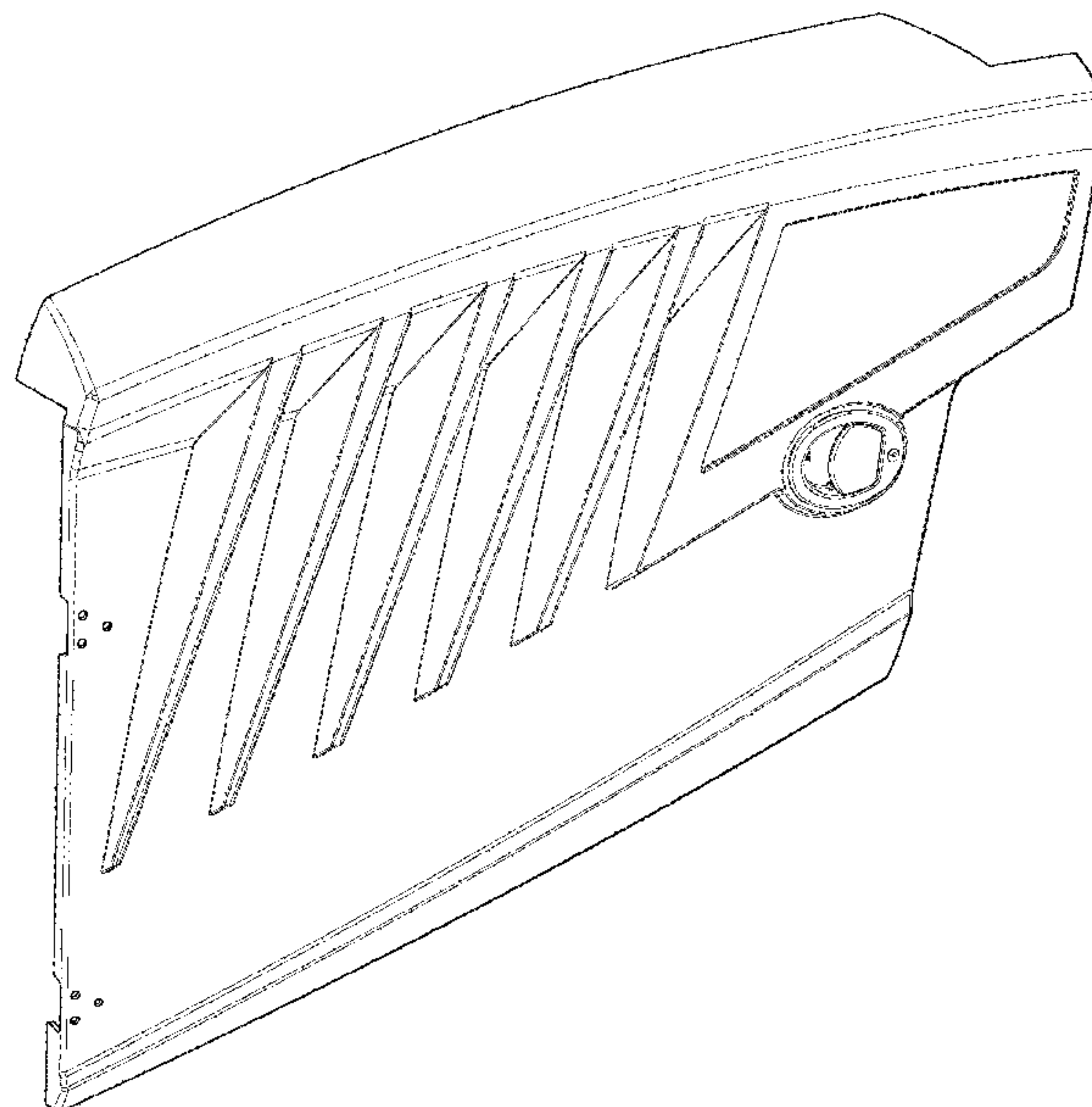
(57) **CLAIM**

The ornamental design for a side door of a paver, as shown and described.

DESCRIPTION

FIG. 1 is a front elevation view of a side door of a paver showing my new design;
FIG. 2 is a left-side elevation view thereof;
FIG. 3 is a rear elevation view thereof;
FIG. 4 is a right-side elevation view thereof;
FIG. 5 is a top plan view thereof;
FIG. 6 is a bottom plan view thereof;
FIG. 7 is a top perspective view thereof;
FIG. 8 is a top right perspective view thereof;
FIG. 9 is a bottom left perspective view thereof; and,
FIG. 10 is a bottom right perspective view thereof.

1 Claim, 10 Drawing Sheets



(56)

References Cited

U.S. PATENT DOCUMENTS

D659,939	S	5/2012	Saitou et al.	
D685,397	S	7/2013	Anderson et al.	
D685,398	S	7/2013	Graham et al.	
D689,028	S	9/2013	Ewringmann	
D689,443	S	9/2013	Ewringmann	
D742,932	S	11/2015	Ewringmann	
D742,935	S	* 11/2015	Ewringmann D15/28
D742,936	S	11/2015	Ewringmann	
D753,191	S	4/2016	Ewringmann	
D754,616	S	4/2016	Ewringmann et al.	
D754,757	S	4/2016	Ewringmann	
D755,252	S	5/2016	Ewringmann	
D767,643	S	9/2016	Sohngen	
D769,334	S	* 10/2016	Ewringmann D15/28
D770,541	S	11/2016	Ewringmann	
D773,535	S	* 12/2016	Ewringmann D15/17
D777,623	S	1/2017	Anderton et al.	
D786,945	S	* 5/2017	Smith D15/31
D811,444	S	2/2018	Chia et al.	
D811,445	S	2/2018	Chia et al.	
D811,446	S	2/2018	Chia et al.	
D812,576	S	3/2018	Gustavsson et al.	
D826,287	S	8/2018	Johnson	
D847,869	S	5/2019	Sachtleben et al.	
D847,870	S	5/2019	Sachtleben et al.	
D856,375	S	8/2019	Mueller	
2006/0025914	A1	2/2006	Buschmann	
2006/0045624	A1	3/2006	Nelson	
2016/0266610	A1	9/2016	Nessel	
2017/0210603	A1	7/2017	Maffeis et al.	

* cited by examiner

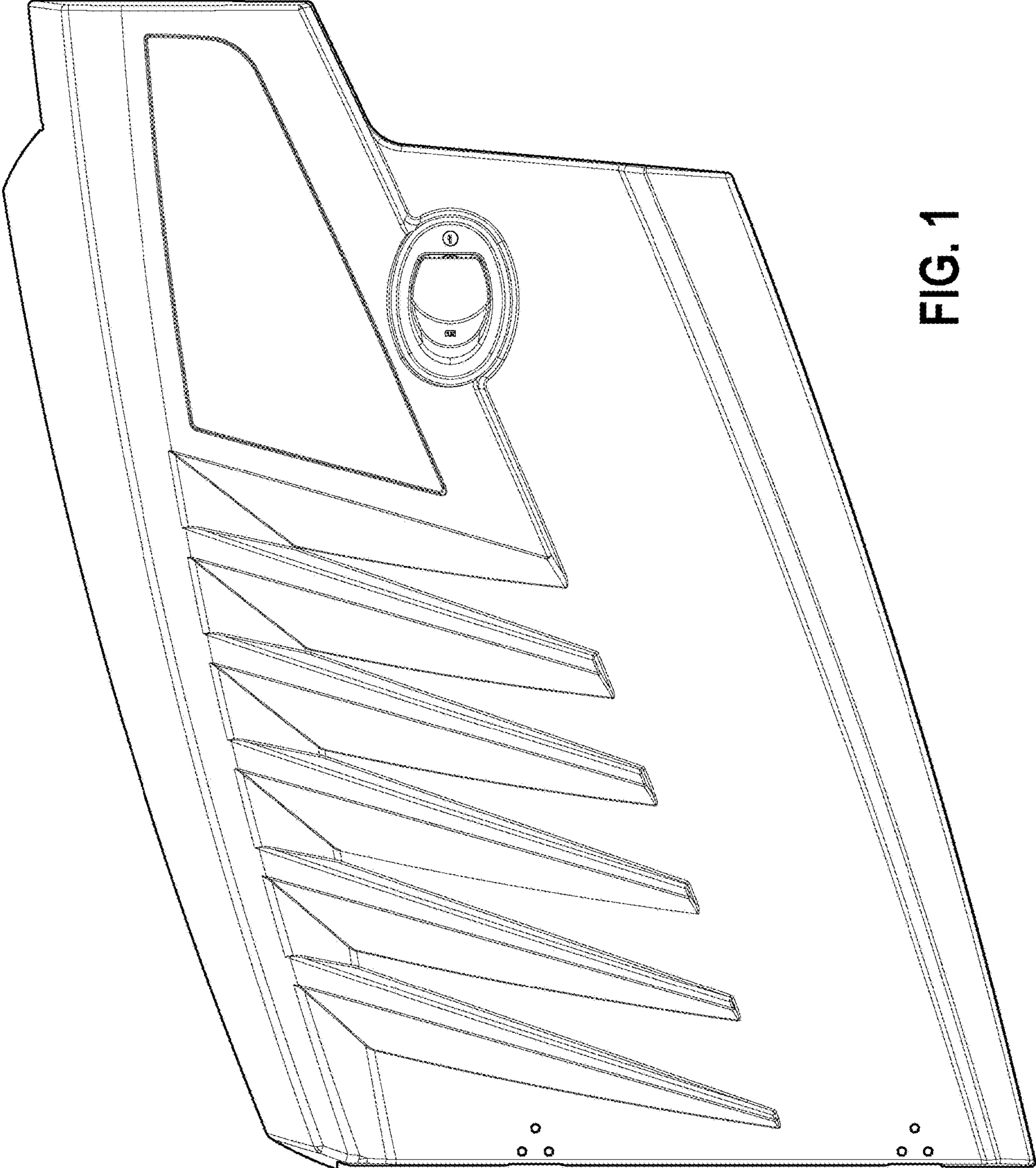


FIG. 1

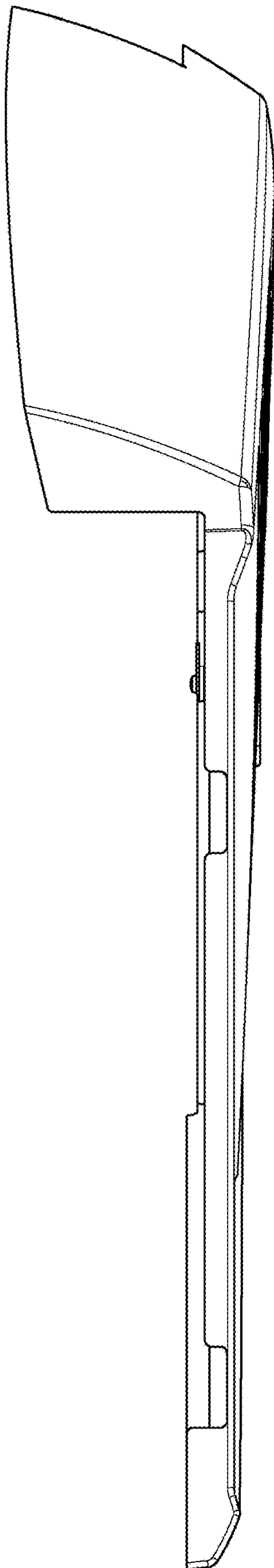


FIG. 2

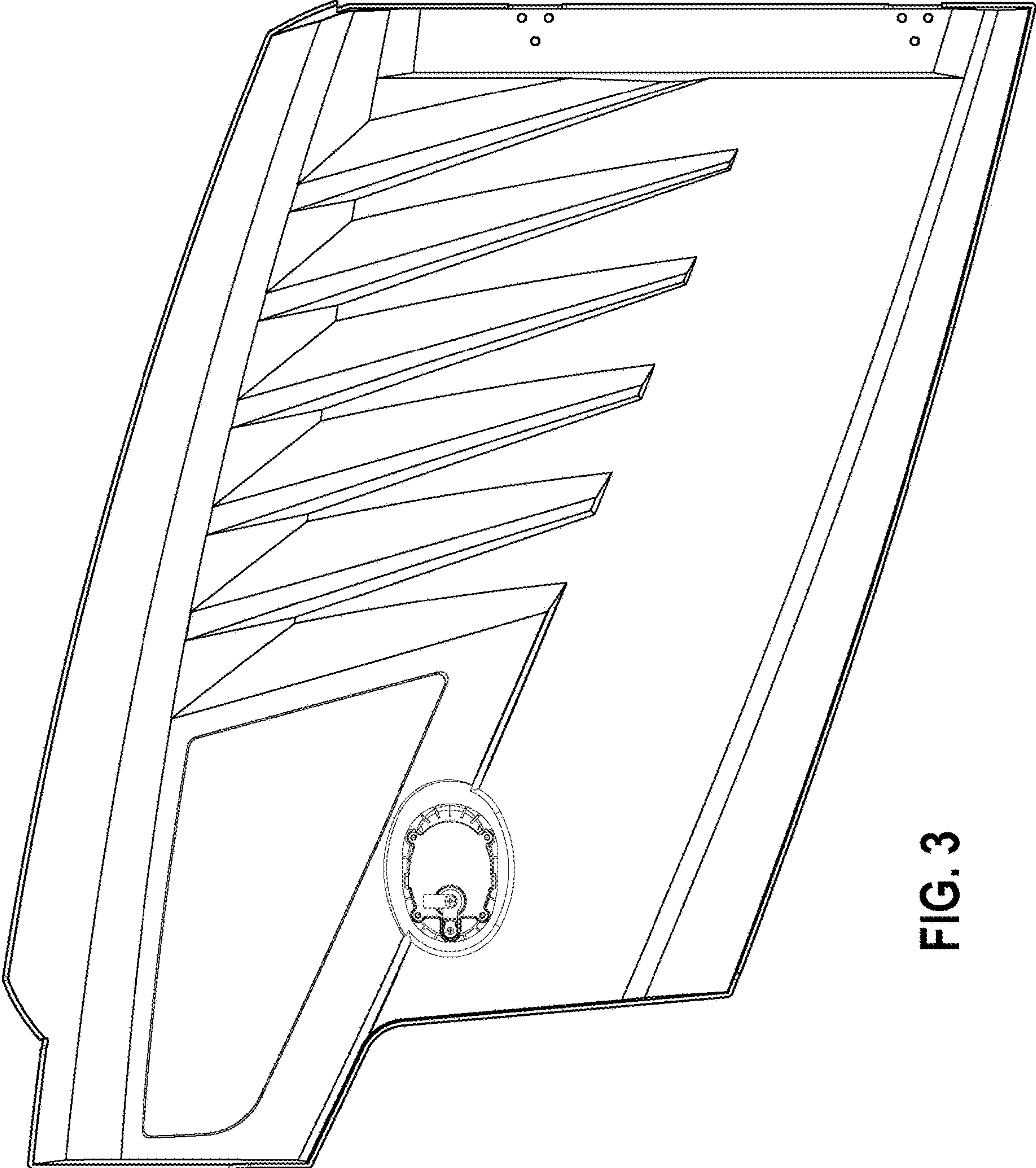


FIG. 3

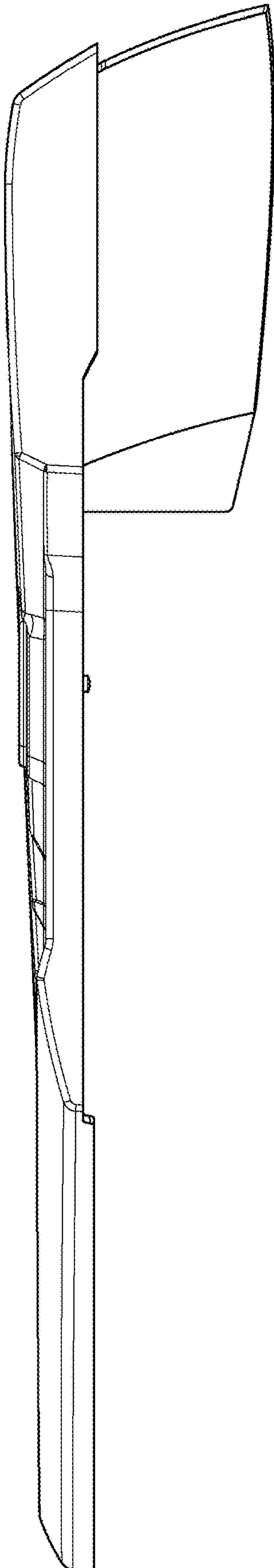


FIG. 4

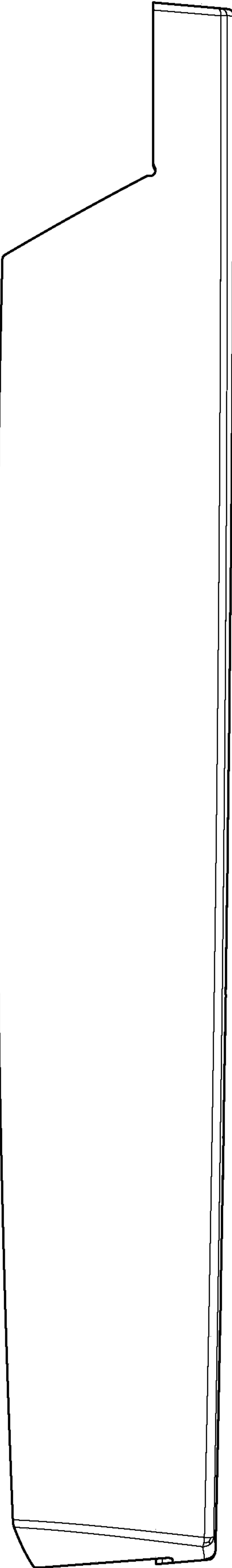


FIG. 5

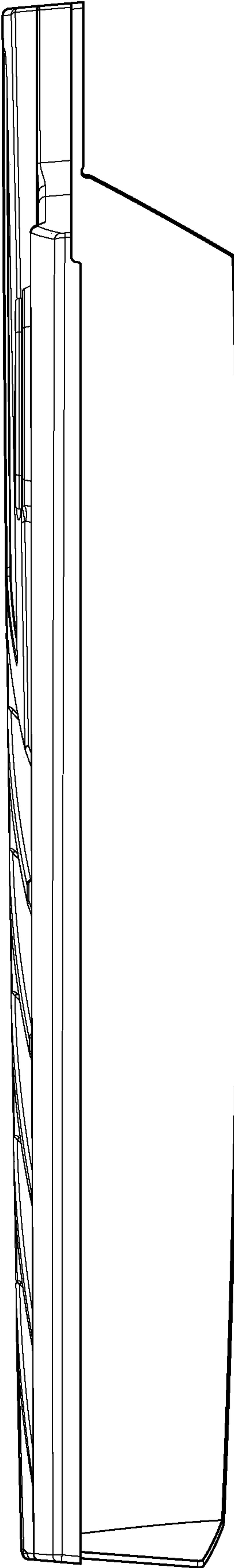


FIG. 6

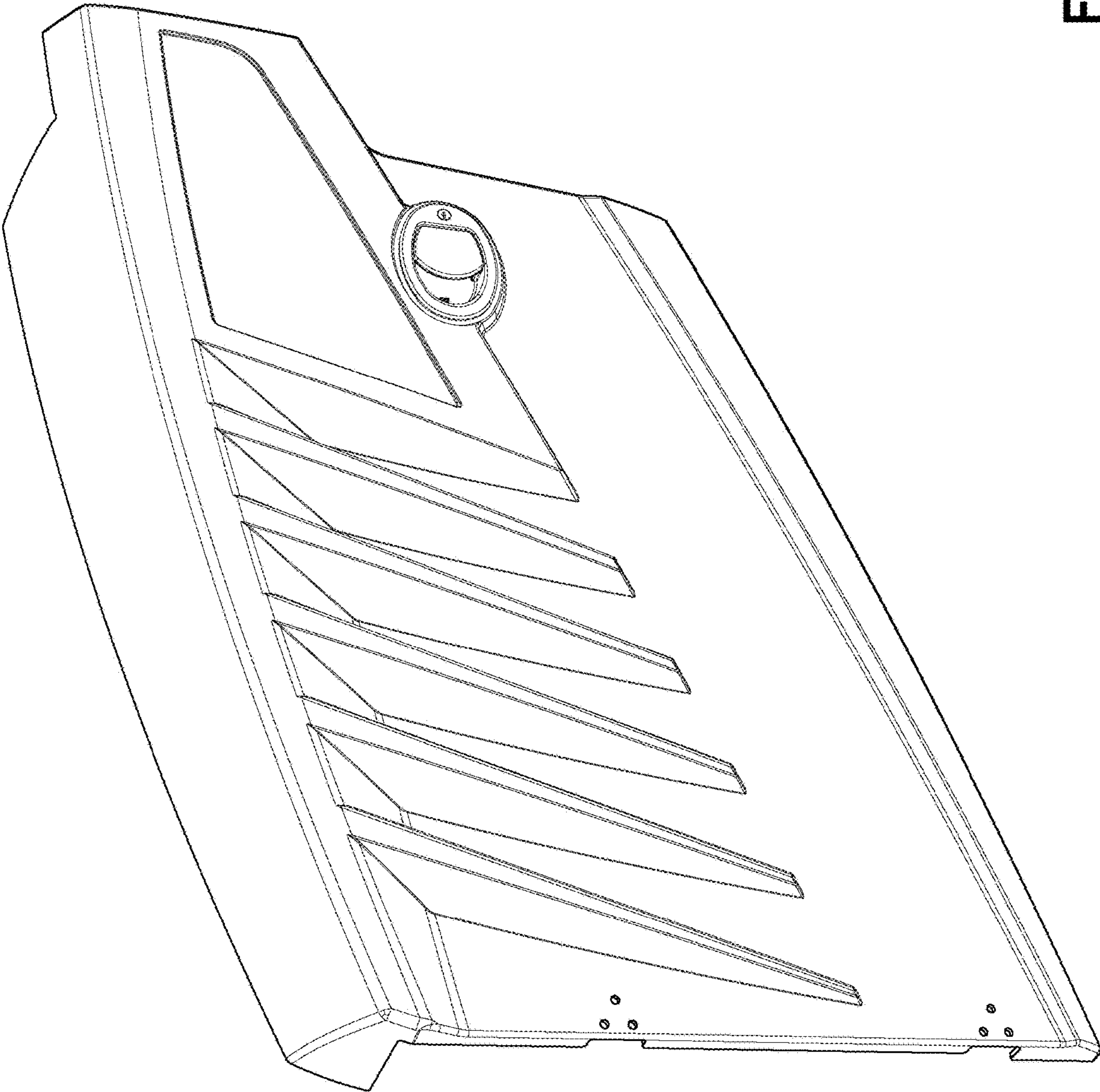


FIG. 7

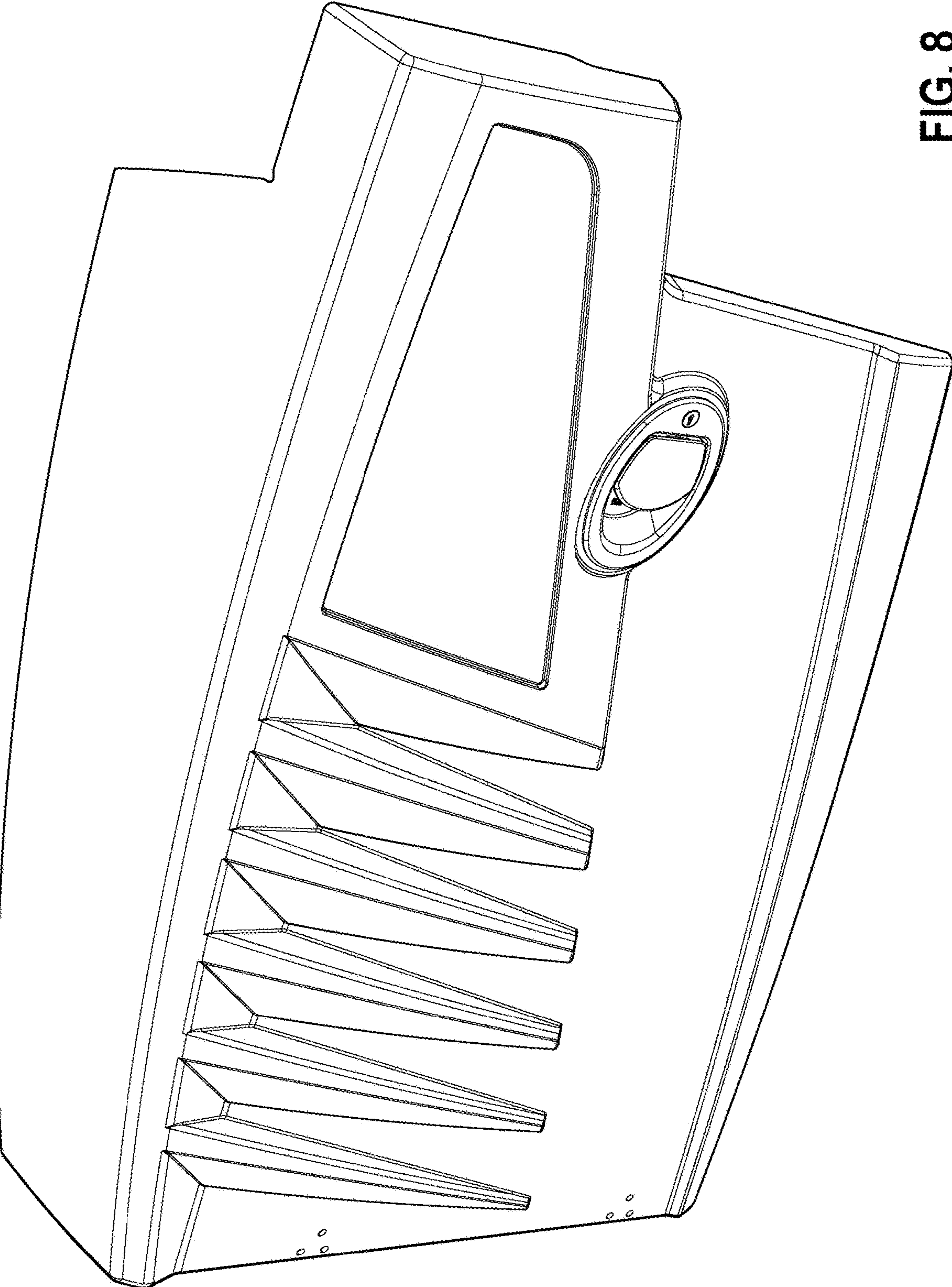


FIG. 8

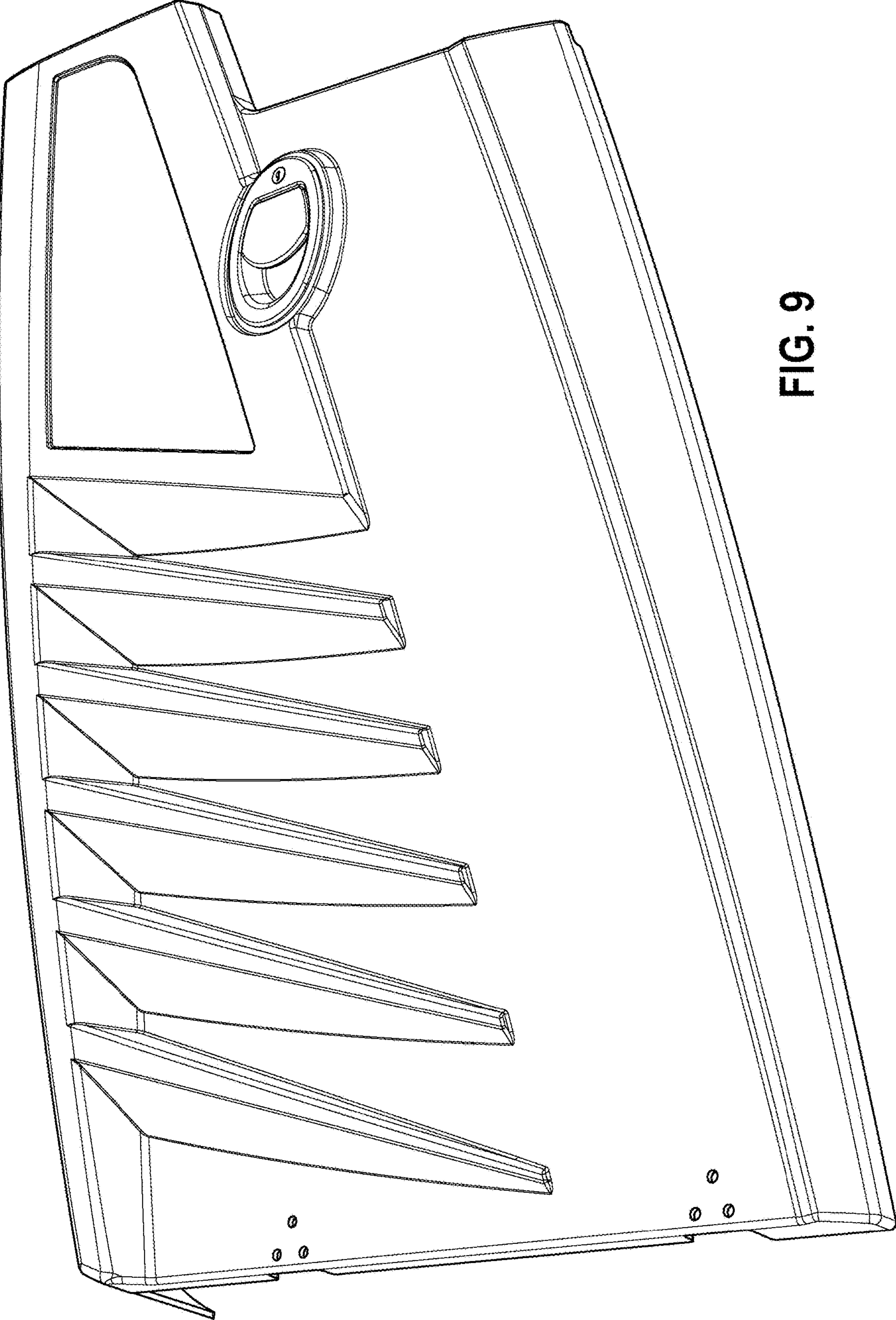


FIG. 9

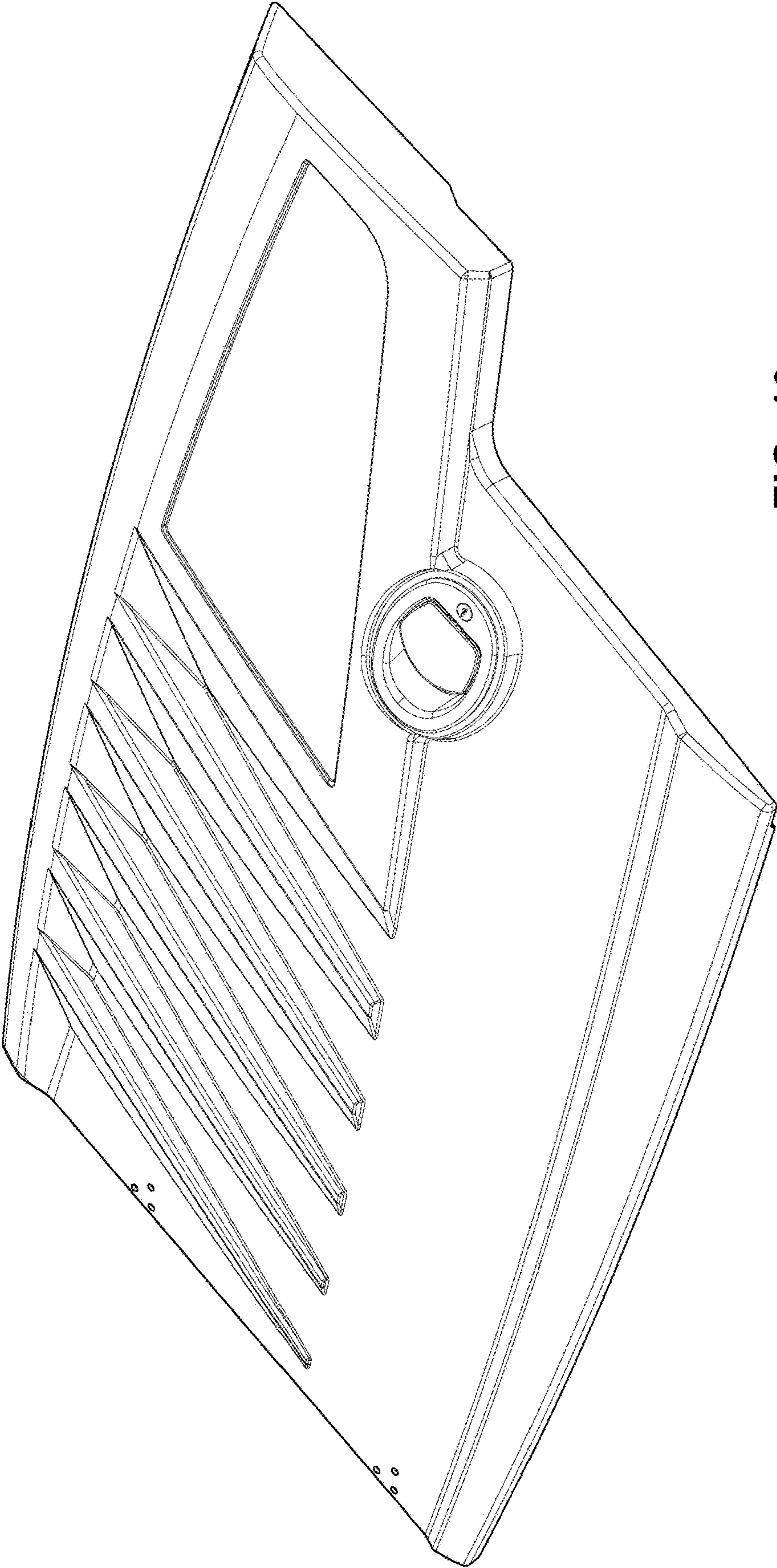


FIG. 10