



US00D894242S

(12) **United States Design Patent** (10) **Patent No.:** **US D894,242 S**
Loew (45) **Date of Patent:** **** Aug. 25, 2020**

(54) **DASHBOARD PROTECTION**
(71) Applicant: **BOMAG GmbH**, Boppard (DE)
(72) Inventor: **Roland Loew**, Klein-Winternheim (DE)
(73) Assignee: **BOMAG GmbH**, Boppard (DE)
(**) Term: **15 Years**
(21) Appl. No.: **29/671,512**
(22) Filed: **Nov. 28, 2018**

(30) **Foreign Application Priority Data**
Jun. 4, 2018 (EM) 005295680-0004
(51) **LOC (12) Cl.** **15-03**
(52) **U.S. Cl.**
USPC **D15/28**
(58) **Field of Classification Search**
USPC D15/10, 13, 19, 22-26, 28; 404/75, 108,
404/101, 102, 110, 118, 87.05; D13/162,
D13/164, 168; D14/217, 396, 400;
D34/34, 35
CPC E01C 19/18; E01C 19/00; E01C 19/182;
E01C 19/22; E01C 19/42; E01C 19/20;
B62D 33/06; B60K 26/00; B60K 37/00
See application file for complete search history.

(56) **References Cited**
U.S. PATENT DOCUMENTS
D135,005 S 2/1943 Baumgardner
D239,966 S 5/1976 Swisher, Jr. et al.
3,997,277 A 12/1976 Swisher, Jr. et al.
5,009,546 A 4/1991 Domenighetti et al.
5,201,603 A 4/1993 Bassett et al.
5,201,604 A 4/1993 Ferguson et al.
5,511,900 A 4/1996 Macku
D398,289 S * 9/1998 Burke D13/162
6,007,272 A 12/1999 Macku et al.

6,071,040 A 6/2000 Macku et al.
D432,963 S * 10/2000 Meinhardt D12/192
D454,567 S 3/2002 Hayes et al.
D454,878 S 3/2002 Hayes et al.
D518,082 S 3/2006 Muto
D525,212 S * 7/2006 Kim D13/162
D525,409 S 7/2006 Cantrill et al.
D527,393 S 8/2006 Maas et al.
D533,569 S 12/2006 Mursch
D553,580 S * 10/2007 Hobson D13/164
D557,218 S 12/2007 Ewringmann
D576,563 S * 9/2008 Kaluza D13/162
D578,142 S 10/2008 Ewringmann
D587,212 S 2/2009 Hartwick
D590,122 S * 4/2009 Shaw D34/35
D599,825 S 9/2009 Schneider et al.
D632,308 S 2/2011 Kopacz et al.
D650,396 S 12/2011 Ewringmann
D652,063 S 1/2012 Takeuchi et al.

(Continued)

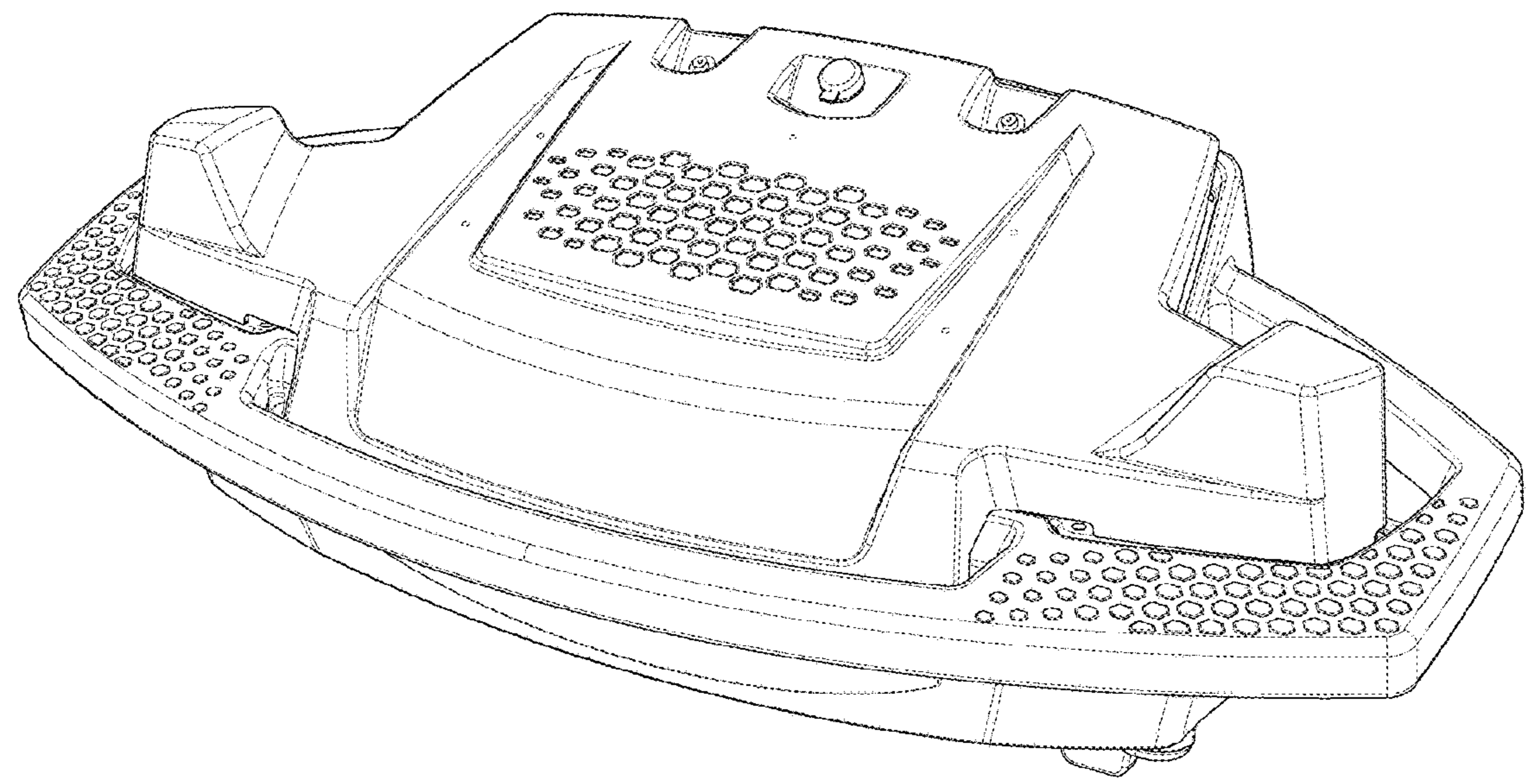
Primary Examiner — Mark A Goodwin
(74) *Attorney, Agent, or Firm* — Wood Herron & Evans LLP

(57) **CLAIM**
The ornamental design for a dashboard protection, as shown and described.

DESCRIPTION

FIG. 1 is a right front perspective view of a dashboard protection showing my new design;
FIG. 2 is a top perspective view thereof;
FIG. 3 is a right rear perspective view thereof;
FIG. 4 is a bottom perspective view thereof;
FIG. 5 is a front elevation view thereof;
FIG. 6 is a rear elevation view thereof;
FIG. 7 is a right-side elevation view thereof;
FIG. 8 is a left-side elevation view thereof;
FIG. 9 is a top plan view thereof; and,
FIG. 10 is a bottom plan view thereof.

1 Claim, 10 Drawing Sheets



(56)

References Cited

U.S. PATENT DOCUMENTS

D652,432 S 1/2012 Kopacz et al.
D652,433 S 1/2012 Takeuchi et al.
D659,343 S * 5/2012 Saitou D15/28
D659,939 S * 5/2012 Saitou D15/28
D685,397 S * 7/2013 Anderson D15/28
D685,398 S * 7/2013 Graham D15/28
D689,028 S 9/2013 Ewringmann
D689,443 S * 9/2013 Ewringmann D13/164
D742,932 S 11/2015 Ewringmann
D742,935 S 11/2015 Ewringmann
D742,936 S 11/2015 Ewringmann
D753,191 S 4/2016 Ewringmann
D754,616 S 4/2016 Ewringmann et al.
D754,757 S 4/2016 Ewringmann
D755,252 S 5/2016 Ewringmann
D767,643 S 9/2016 Sohngen
D769,334 S 10/2016 Ewringmann
D770,541 S 11/2016 Ewringmann
D773,535 S 12/2016 Ewringmann
D777,623 S * 1/2017 Anderton D12/174
D786,945 S 5/2017 Smith et al.
D811,444 S * 2/2018 Chia D15/28
D811,445 S * 2/2018 Chia D15/28
D811,446 S * 2/2018 Chia D15/28
D812,576 S * 3/2018 Gustavsson D13/164
D826,287 S * 8/2018 Johnson D15/28
D847,869 S 5/2019 Sachtleben et al.
D847,870 S 5/2019 Sachtleben et al.
D856,375 S 8/2019 Mueller
2006/0025914 A1 2/2006 Buschmann
2006/0045624 A1 3/2006 Nelson
2016/0266610 A1 9/2016 Nessel
2017/0210603 A1 7/2017 Maffeis et al.

* cited by examiner

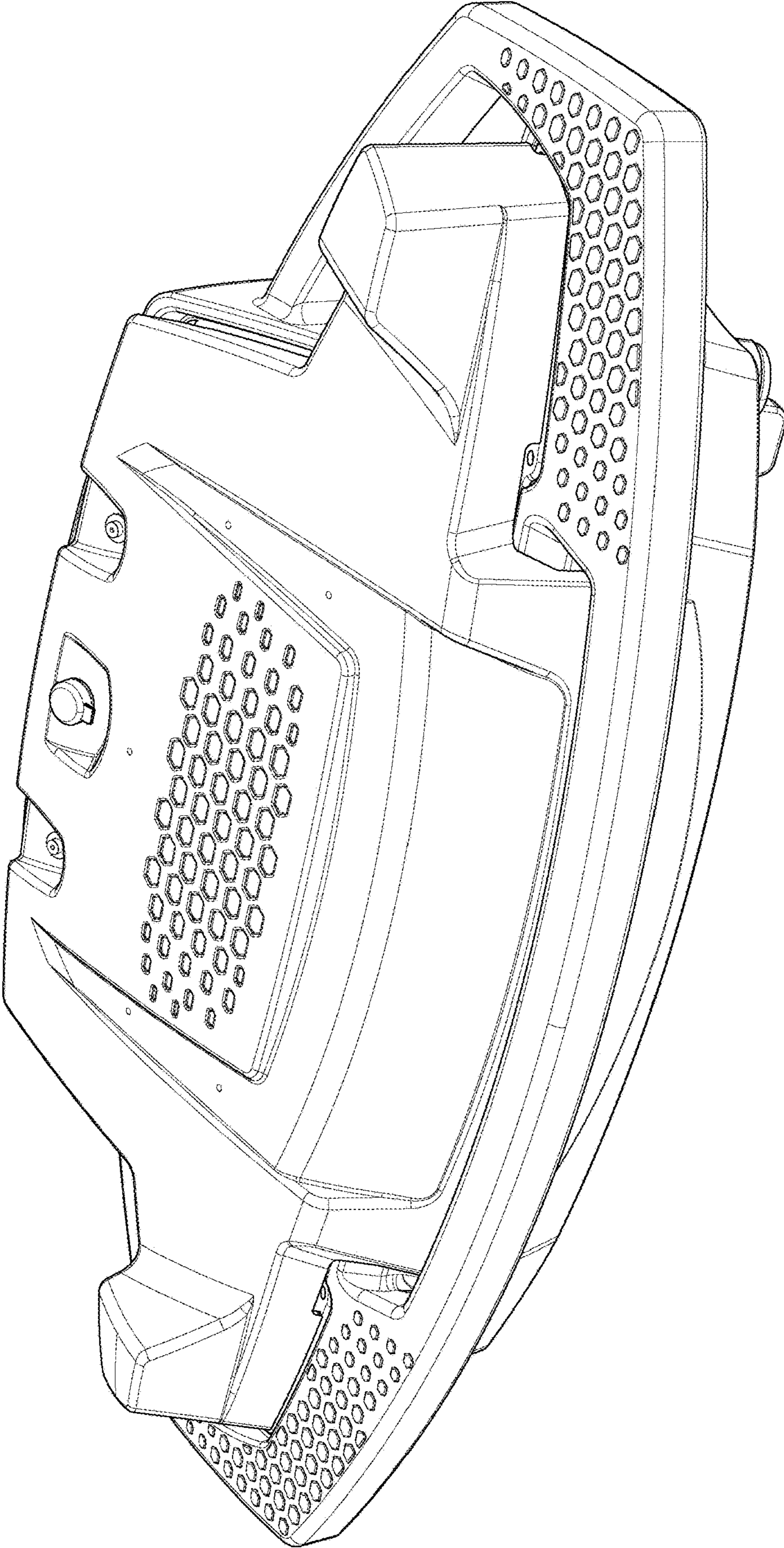


FIG. 1

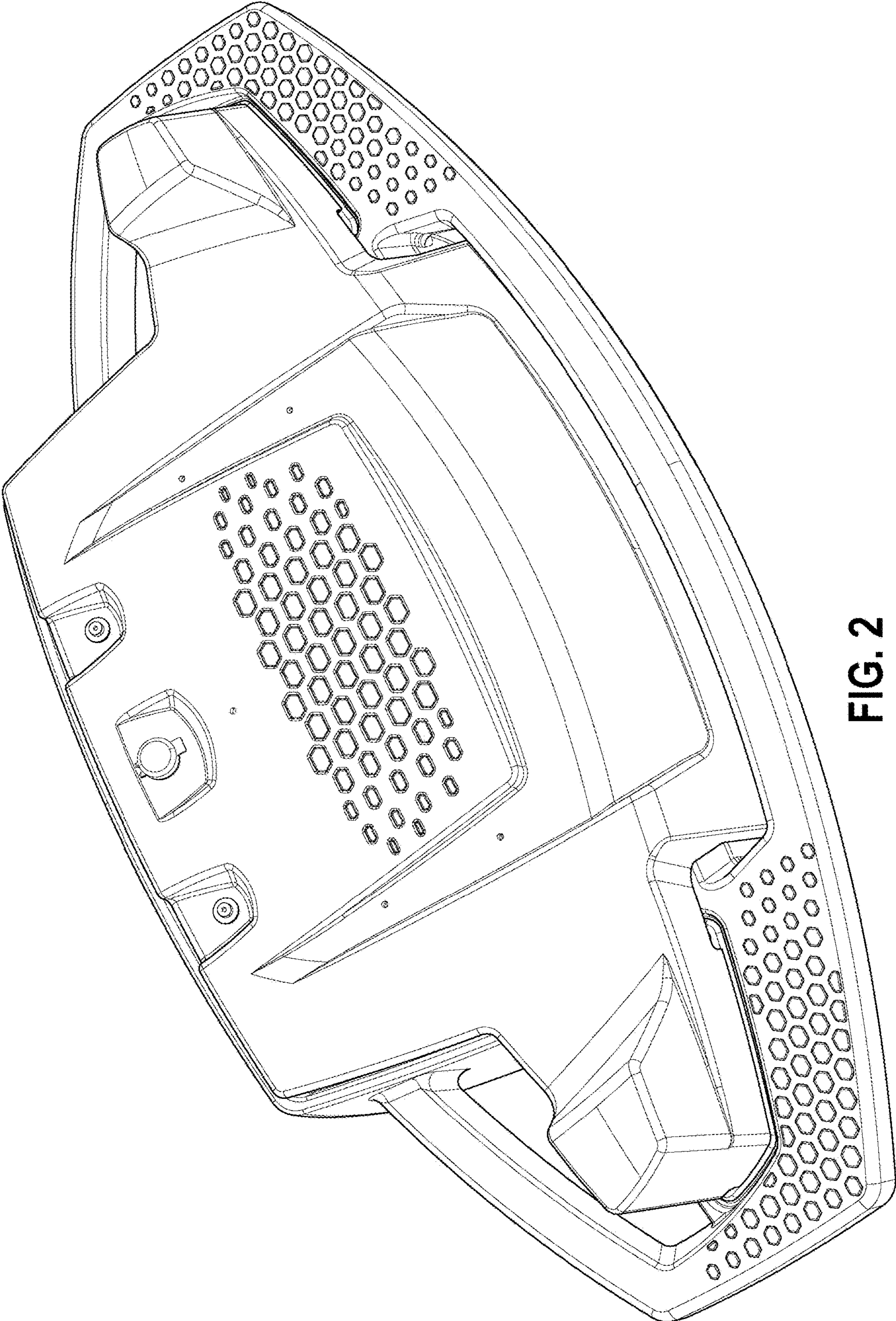


FIG. 2

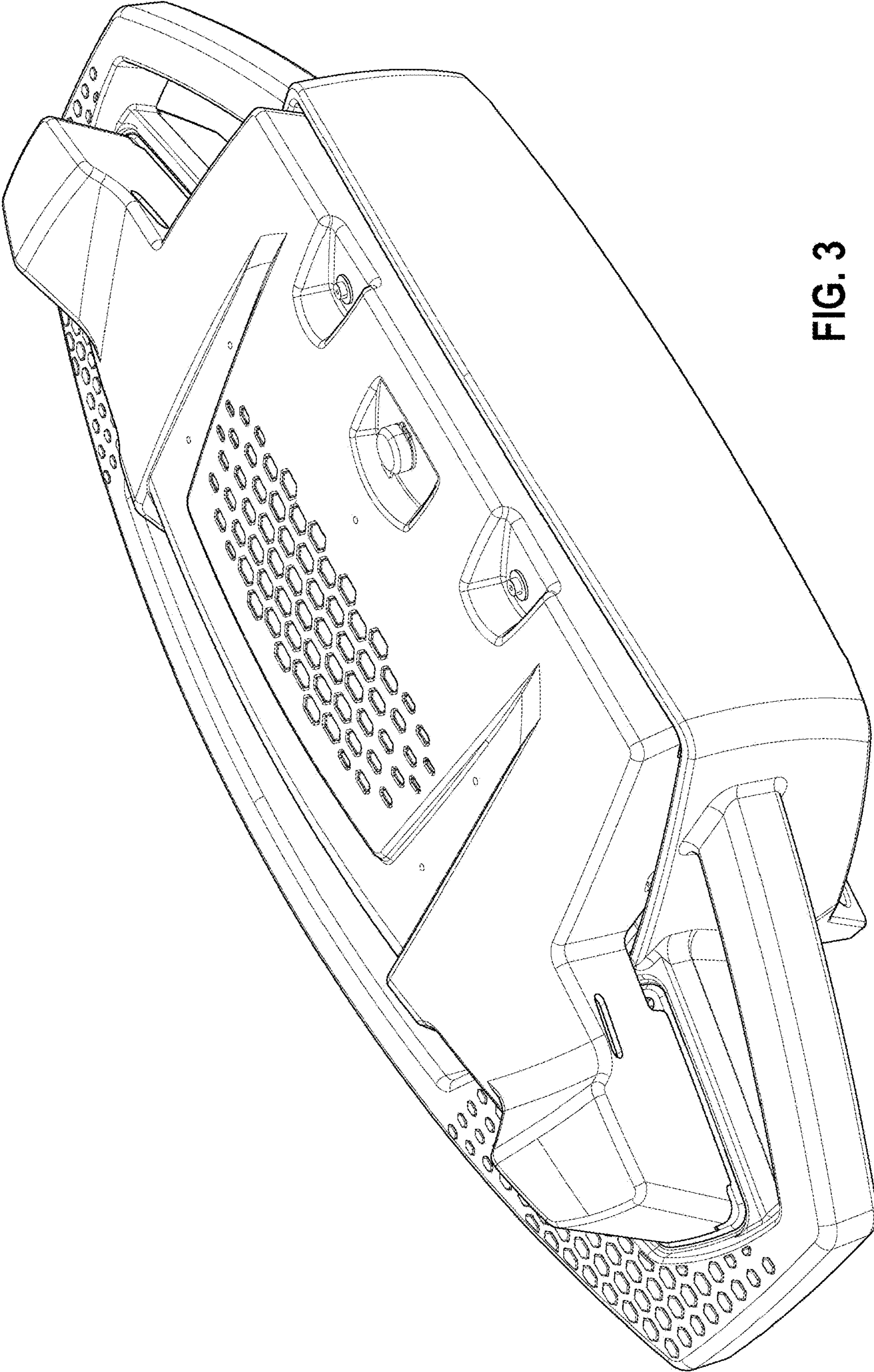


FIG. 3

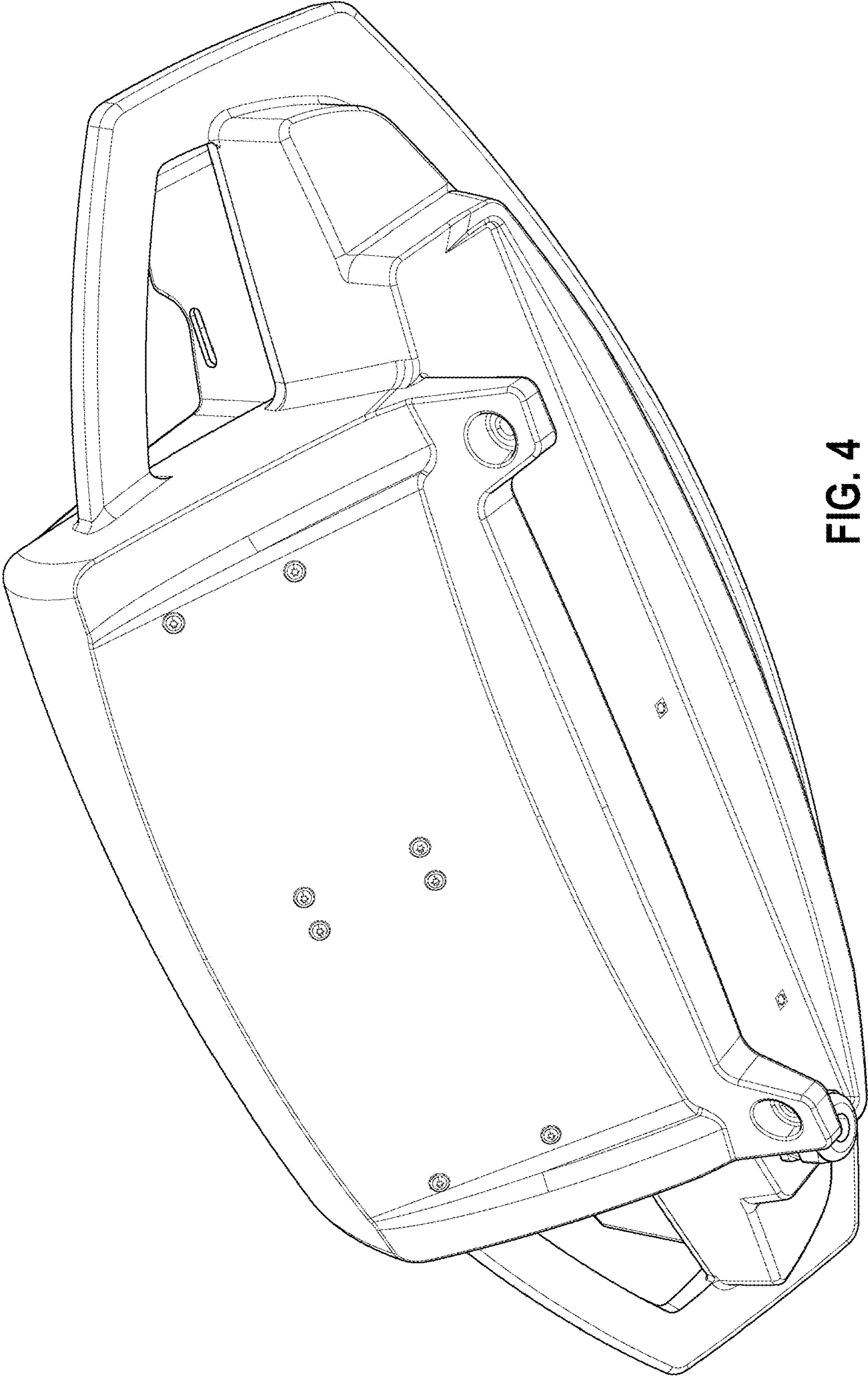


FIG. 4

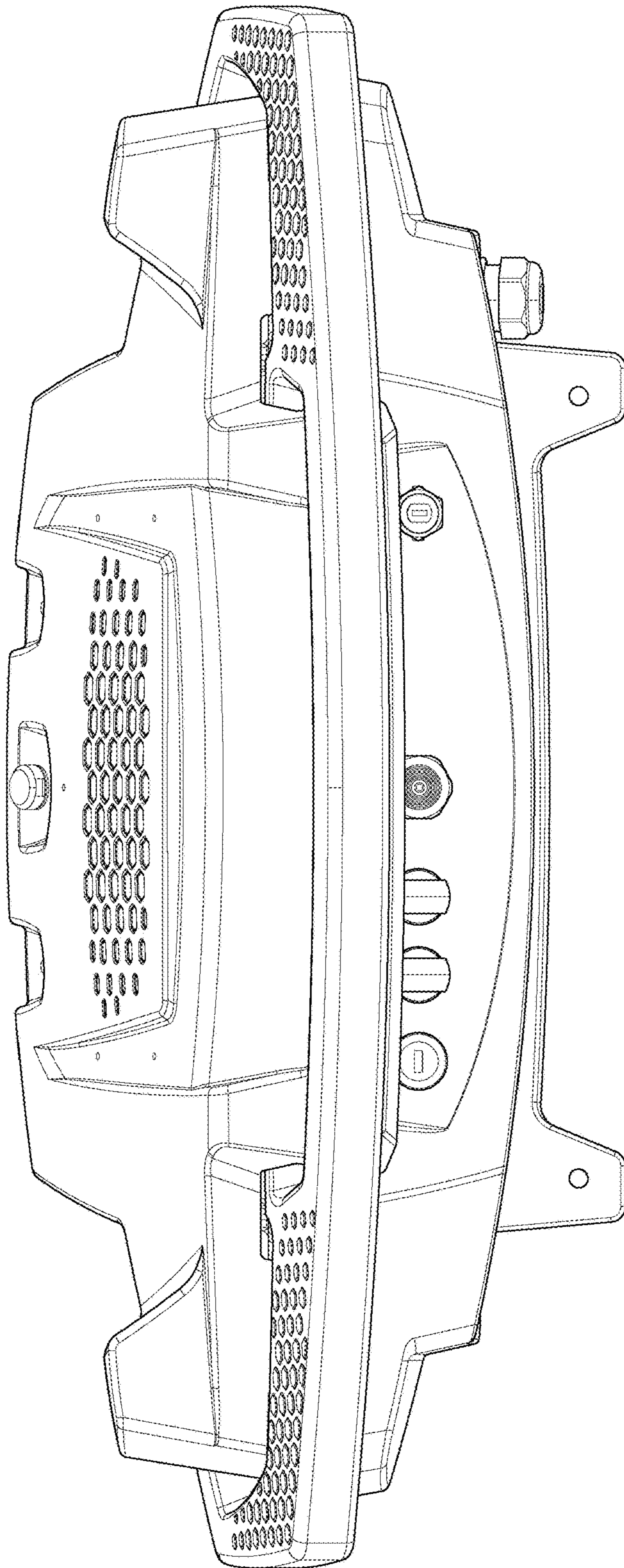


FIG. 5

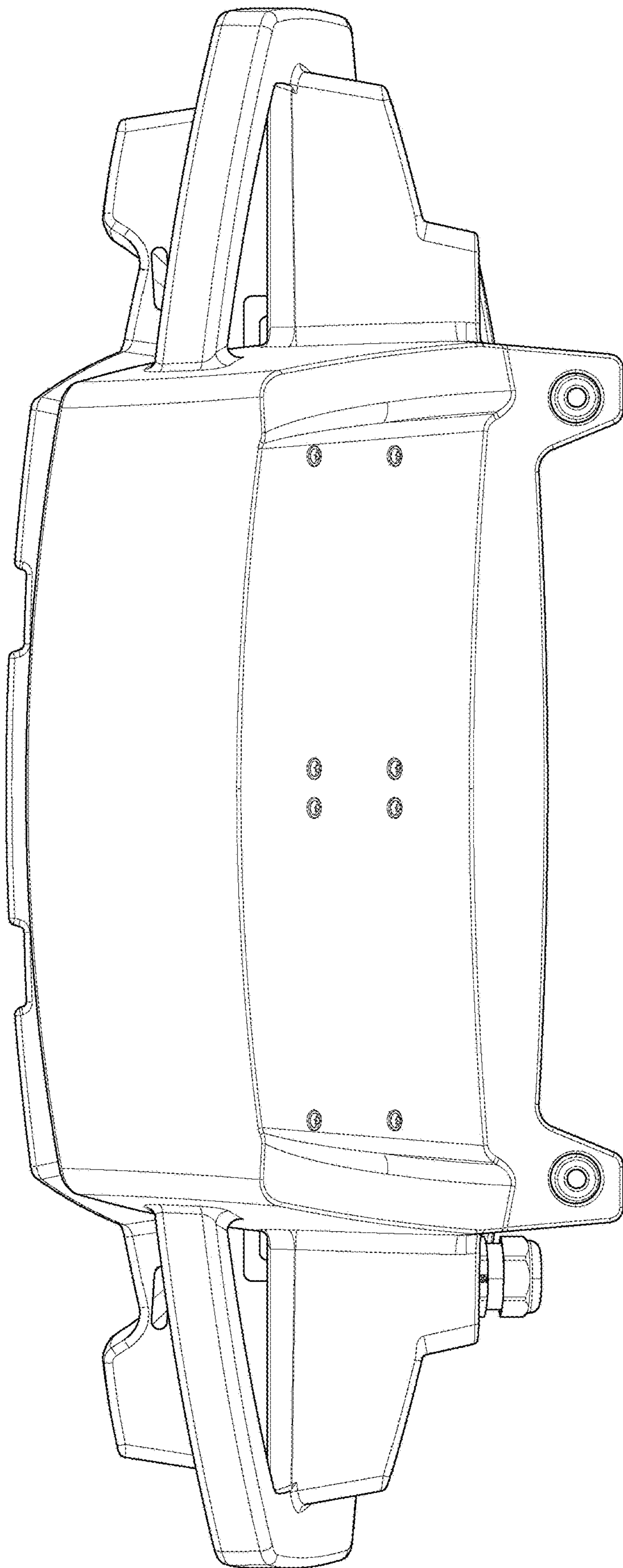


FIG. 6

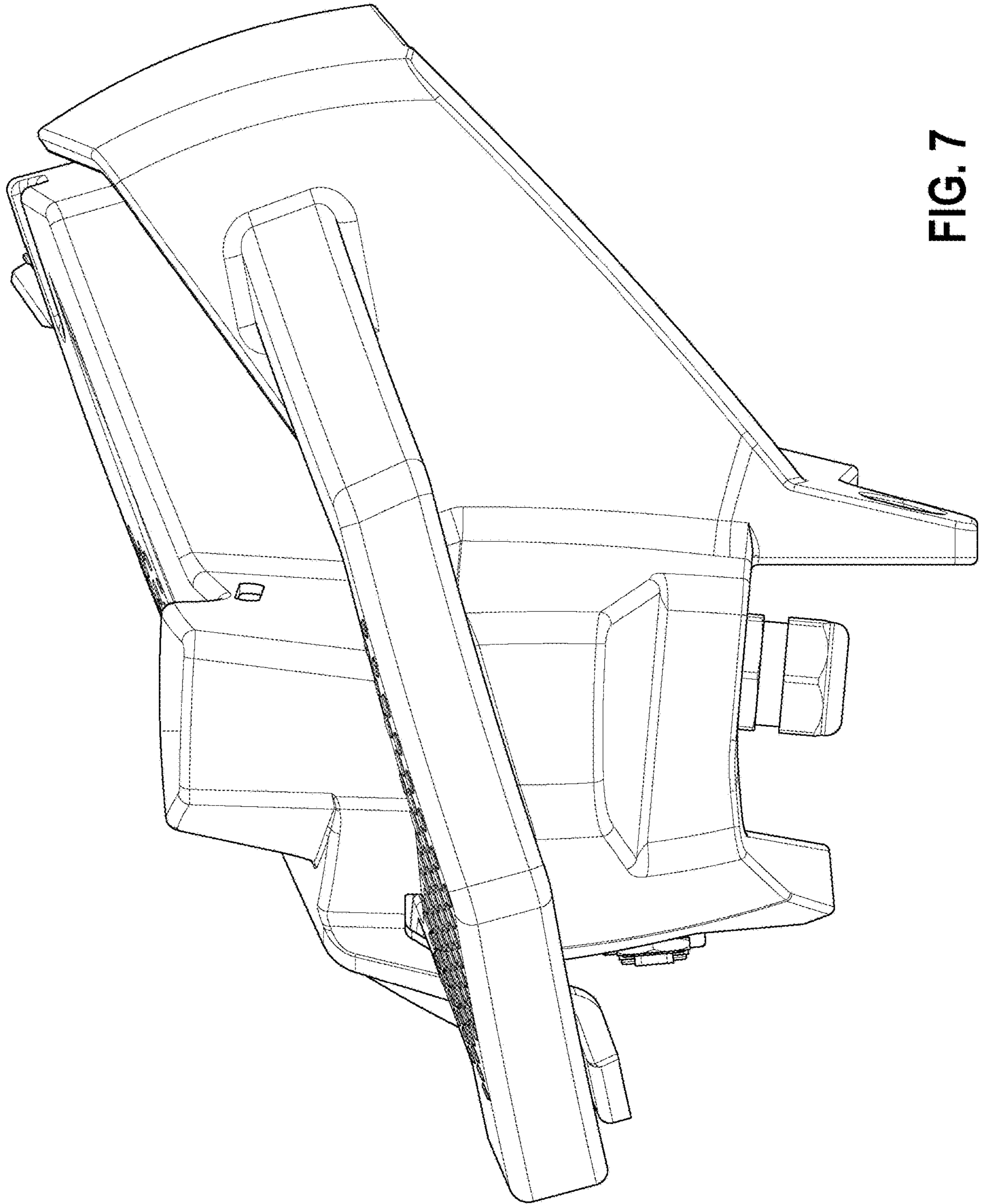


FIG. 7

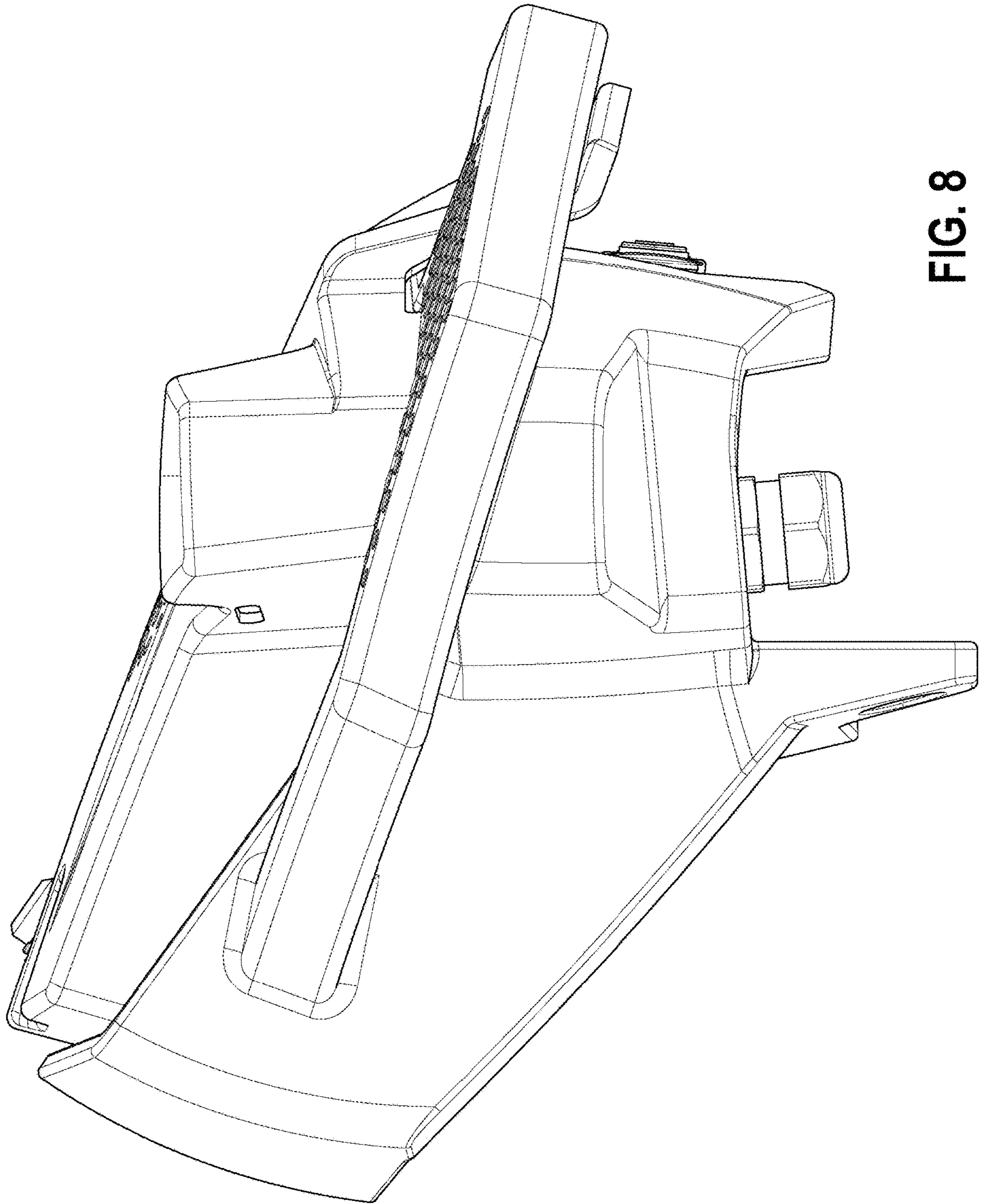


FIG. 8

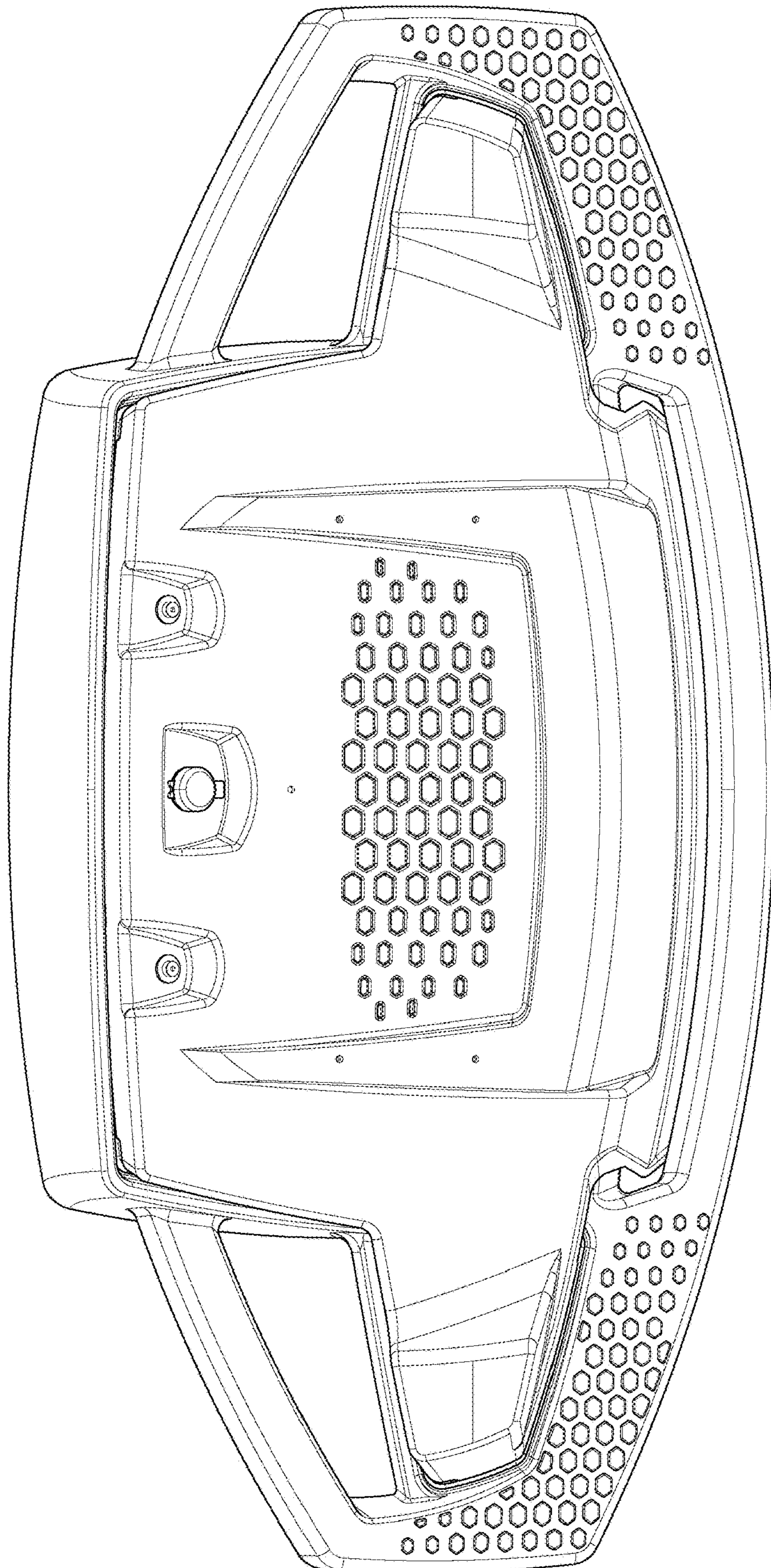


FIG. 9

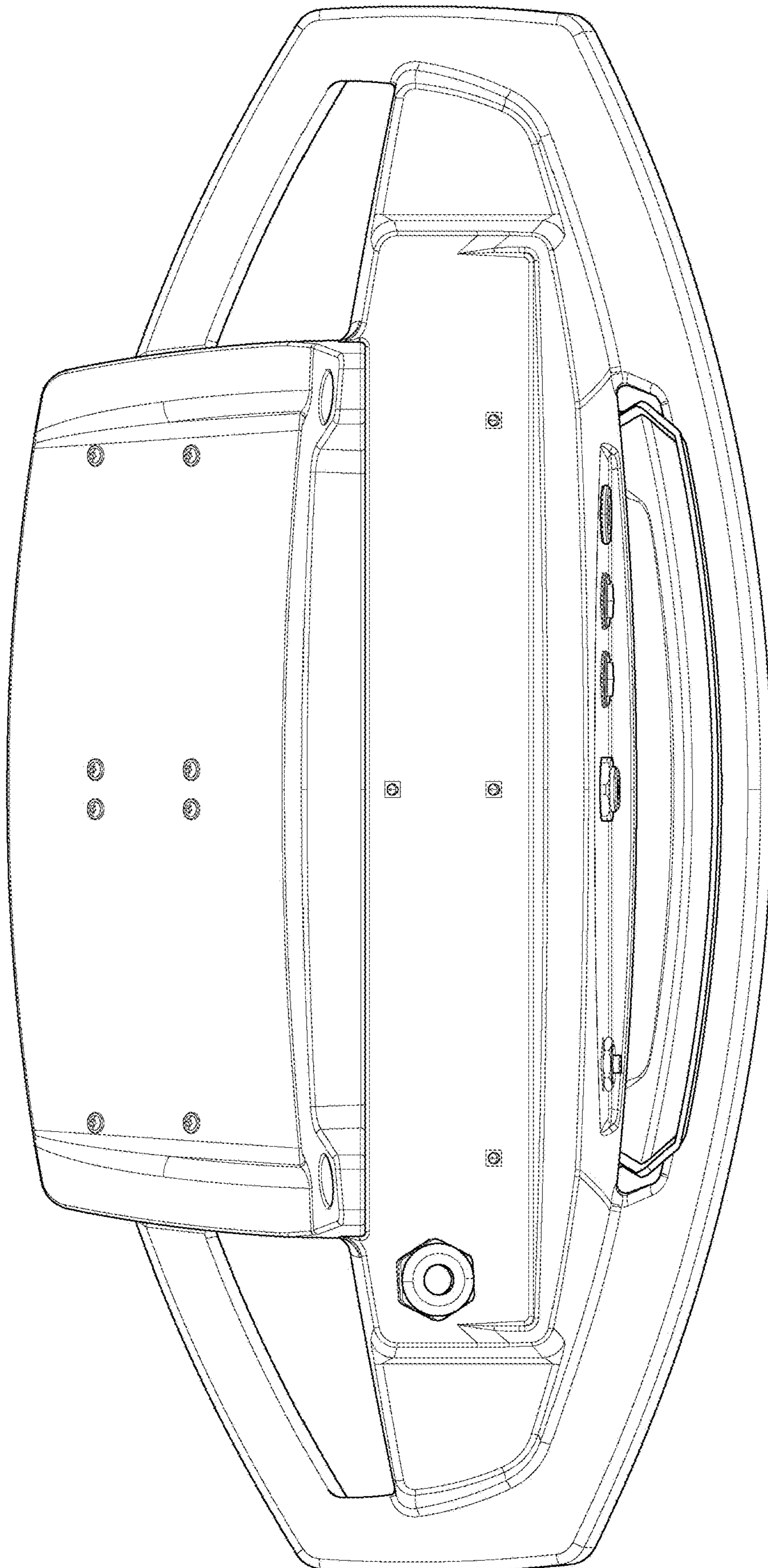


FIG. 10