

US00D894241S

(12) **United States Design Patent**
Baucom et al.

(10) **Patent No.:** **US D894,241 S**

(45) **Date of Patent:** **** Aug. 25, 2020**

- (54) **STABILIZER PAD**
- (71) Applicant: **Caterpillar Inc.**, Deerfield, IL (US)
- (72) Inventors: **Daniel D. Baucom**, Rolesville, NC (US); **Dennis E. Roberts**, Metamora, IL (US)
- (73) Assignee: **Caterpillar Inc.**, Peoria, IL (US)
- (**) Term: **15 Years**
- (21) Appl. No.: **29/654,264**
- (22) Filed: **Jun. 22, 2018**
- (51) **LOC (12) Cl.** **15-03**
- (52) **U.S. Cl.**
USPC **D15/28**
- (58) **Field of Classification Search**
USPC D15/10, 22-24, 28; D12/223; 248/633,
248/678; 280/763.1
CPC ... E06C 7/46; B66C 23/78; B60S 9/02; B60S
9/00; B60S 9/12; E02F 9/08; E02F 9/085
See application file for complete search history.

- 5,050,904 A * 9/1991 Lagsdin E02F 9/085
212/304
- 5,051,057 A 9/1991 Kremer
- 5,466,004 A * 11/1995 Lagsdin B60S 9/10
212/304
- 5,488,788 A 2/1996 Durbin
(Continued)

FOREIGN PATENT DOCUMENTS

- GB 2459533 11/2009
- JP 201352747 9/2015

Primary Examiner — Mark A Goodwin
(74) *Attorney, Agent, or Firm* — Calfee, Halter & Griswold LLP

(57) **CLAIM**

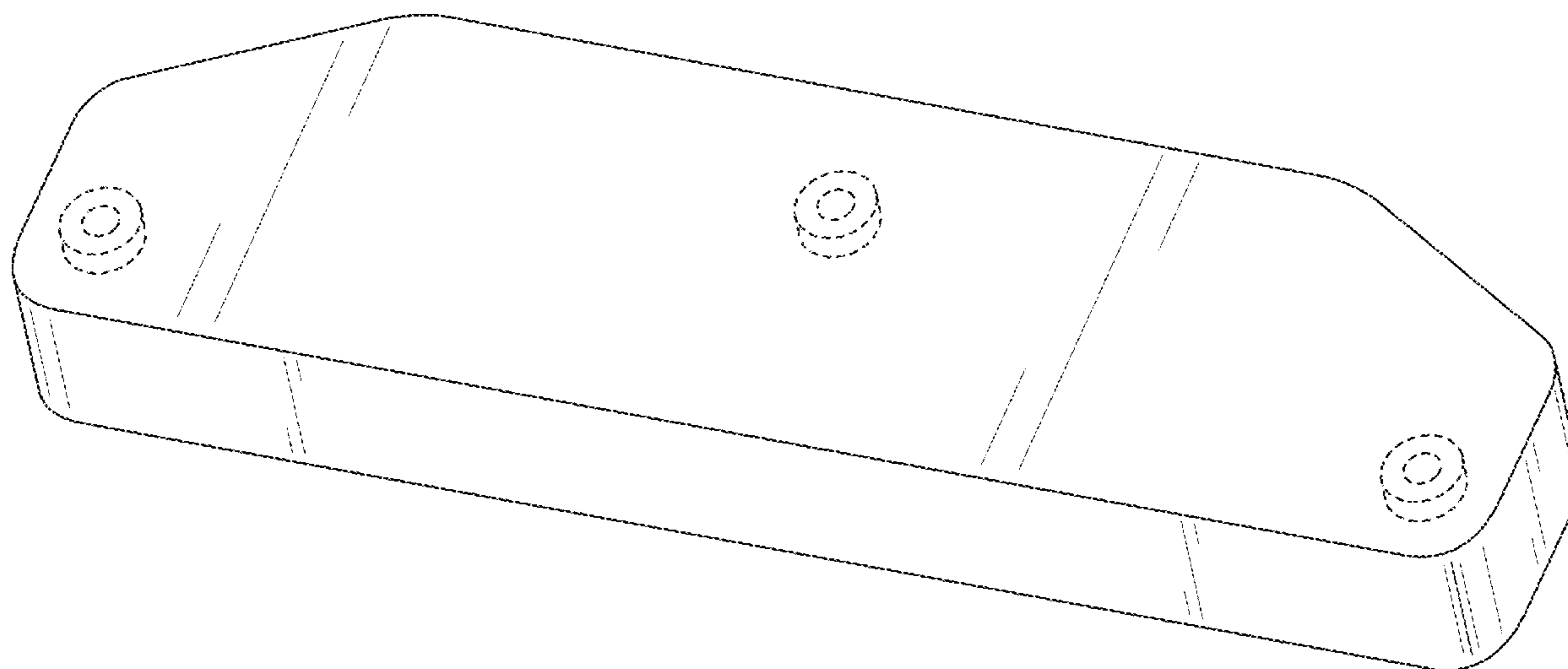
The ornamental design for a stabilizer pad, as shown and described.

DESCRIPTION

FIG. 1 is a top perspective view of an exemplary embodiment of a stabilizer pad looking at the front side; FIG. 2 is a top perspective view of the stabilizer pad of FIG. 1 looking at the rear side; FIG. 3 is a bottom perspective view of the stabilizer pad of FIG. 1 looking at the rear side; FIG. 4 is a bottom perspective view of the stabilizer pad of FIG. 1 looking at the front side; FIG. 5 is a top plan view of the stabilizer pad of FIG. 1; FIG. 6 is a rear view of the stabilizer pad of FIG. 1; and, FIG. 7 is a right side view of the stabilizer pad of FIG. 1. The left side view of the stabilizer pad is a mirror image of the right side view.

The bottom of the stabilizer pad is flat and devoid of surface ornamentation and, thus, a bottom plan view is omitted. The portions of the Figures shown in phantom lines are either unclaimed boundary lines or for illustrative purpose only, and no phantom line forms a part of the claimed design.

1 Claim, 7 Drawing Sheets



US D894,241 S

Page 2

(56)

References Cited

U.S. PATENT DOCUMENTS

5,667,245	A *	9/1997	Lagsdin	B60S 9/10 212/301	7,267,368	B2 *	9/2007	Lagsdin	B66C 23/78 248/188.8
5,992,883	A *	11/1999	Lagsdin	B60S 9/02 280/763.1	D562,355	S	2/2008	Lagsdin		
6,109,650	A	8/2000	Lagsdin			D567,824	S	4/2008	Lagsdin		
D441,711	S	5/2001	Lagsdin			7,401,812	B2	7/2008	Lagsdin		
6,227,570	B1	5/2001	Martinez et al.			D576,181	S *	9/2008	Busley	D15/28
6,270,119	B1	8/2001	Lagsdin			7,802,814	B2	9/2010	Lagsdin		
6,422,603	B2	7/2002	Lagsdin			7,900,962	B2	8/2011	Lagsdin		
D462,366	S	9/2002	Lagsdin			8,262,132	B1	9/2012	Lagsdin		
D462,367	S	9/2002	Lagsdin			10,017,989	B1 *	7/2018	Kellogg	E06C 7/46
6,471,246	B1	10/2002	Lagsdin			2004/0046378	A1 *	3/2004	Lagsdin	B60S 9/02 280/766.1
D467,594	S	12/2002	Lagsdin			2004/0056465	A1 *	3/2004	Lagsdin	B60S 9/12 280/763.1
6,634,672	B1	10/2003	Lagsdin			2004/0208737	A1	10/2004	Schmidtlein		
6,726,246	B2	4/2004	Lagsdin			2006/0011800	A1 *	1/2006	Lagsdin	E02F 9/085 248/615
6,986,530	B2	1/2006	Lagsdin			2008/0048427	A1 *	2/2008	Lagsdin	B66O 23/78 280/763.1
7,040,659	B2	5/2006	Lagsdin			2008/0122212	A1 *	5/2008	Lagsdin	E02F 9/085 280/763.1
7,073,821	B2	7/2006	Lagsdin			2018/0094403	A1	4/2018	Nobles et al.		
7,172,216	B1	2/2007	Lagsdin								

* cited by examiner

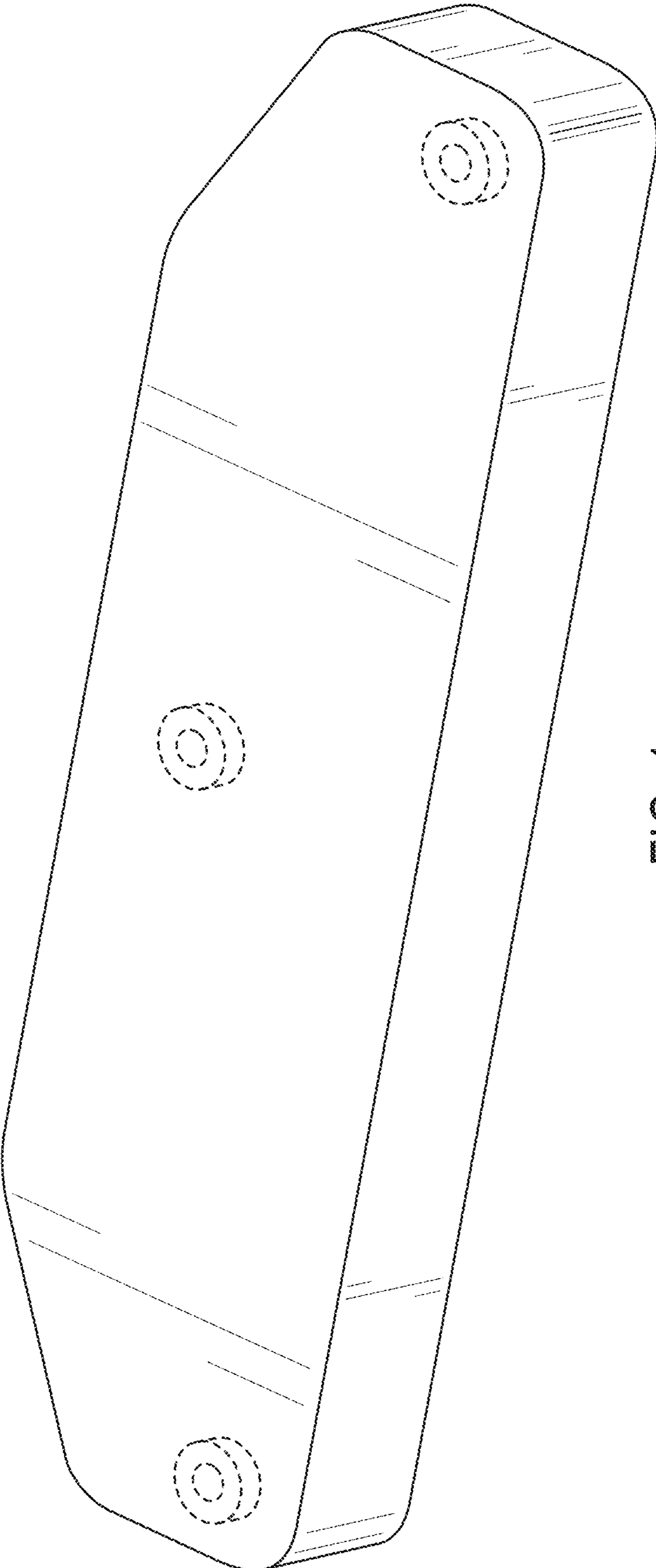


FIG. 1

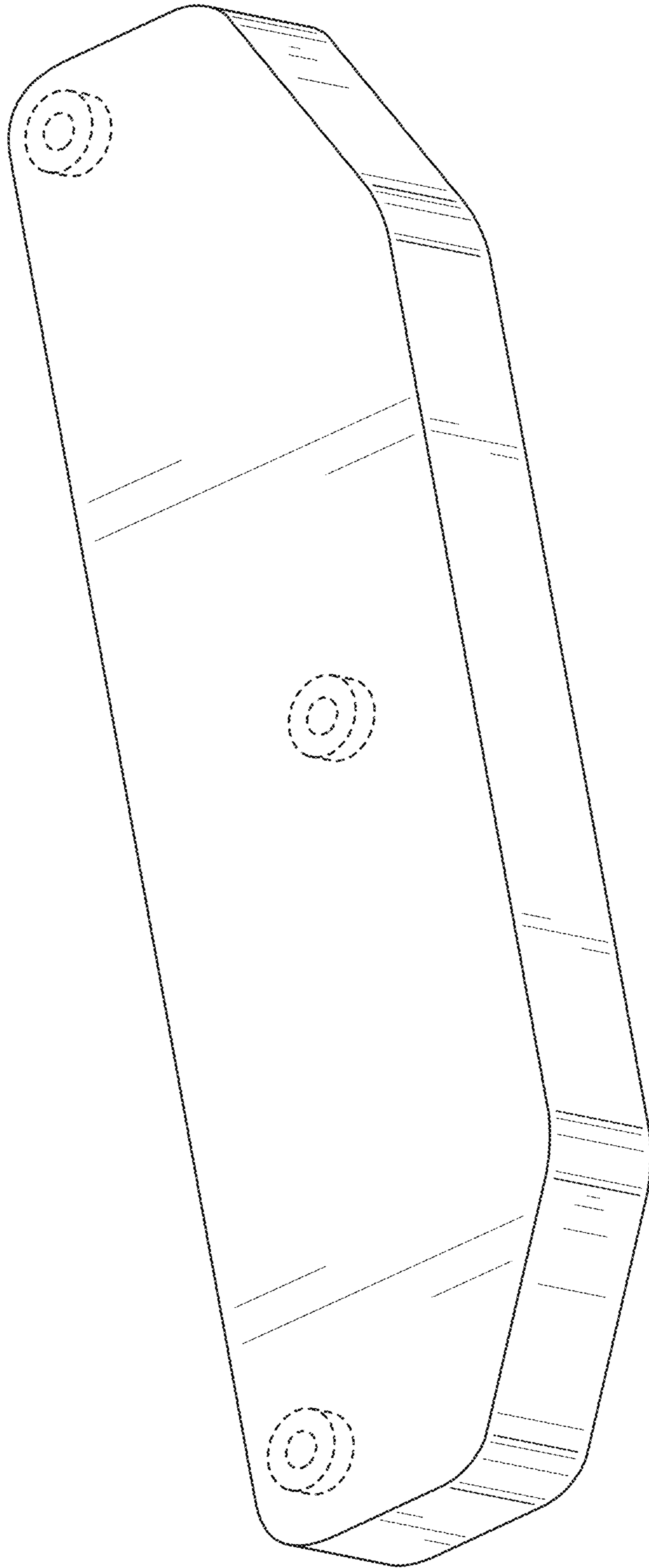


FIG. 2

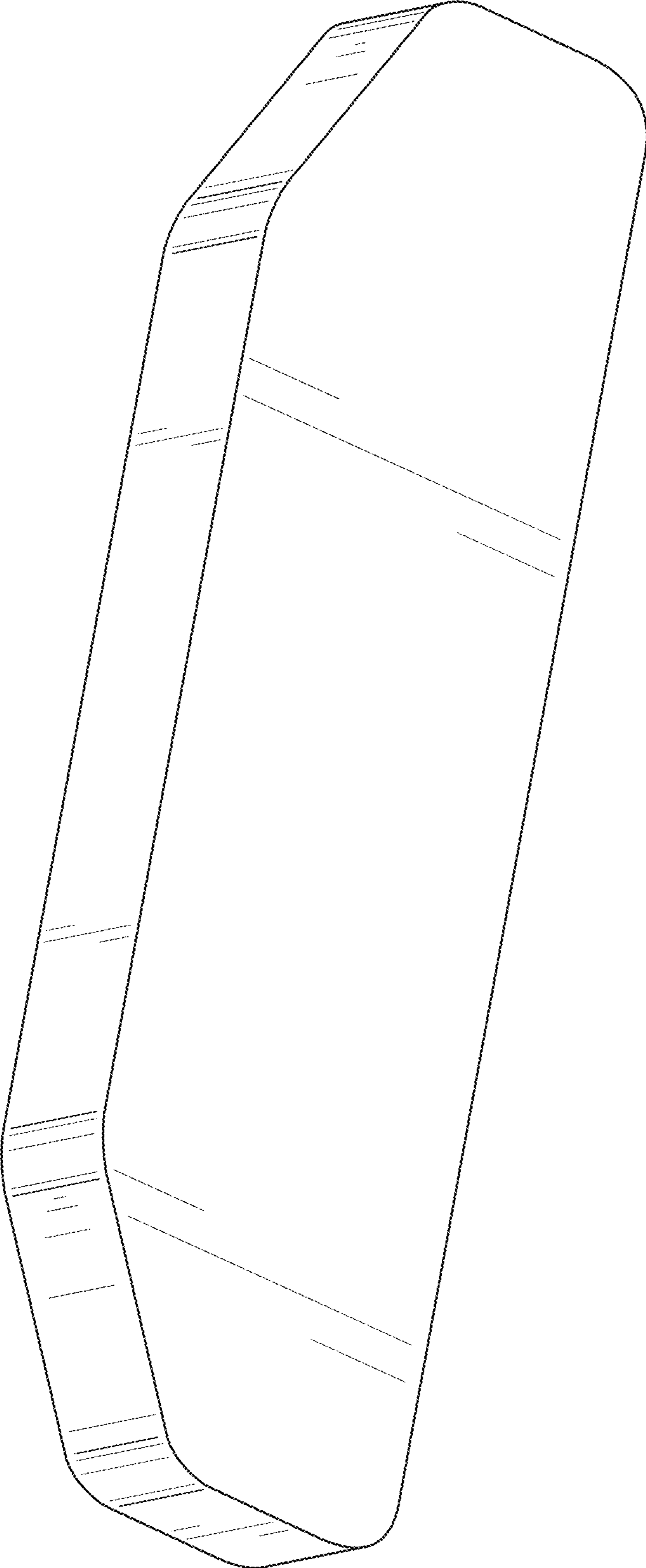


FIG. 3

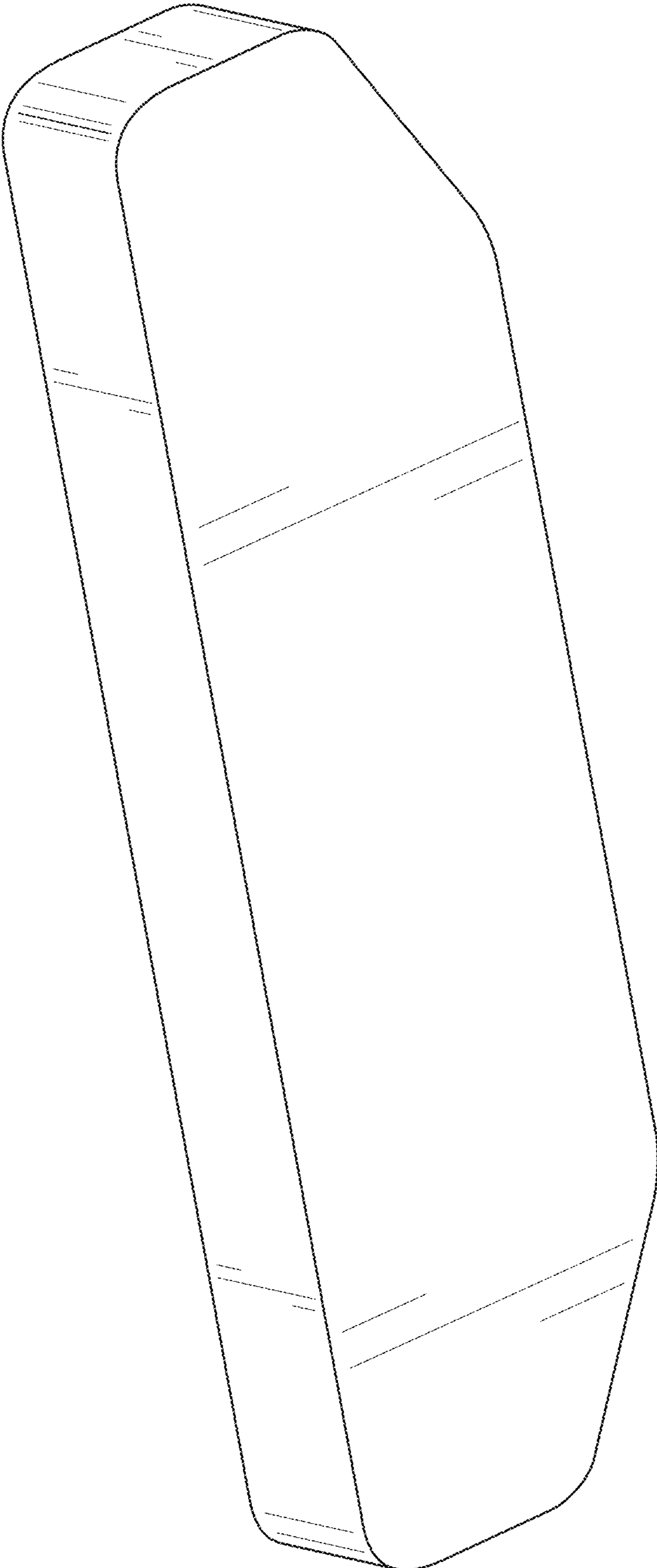


FIG. 4

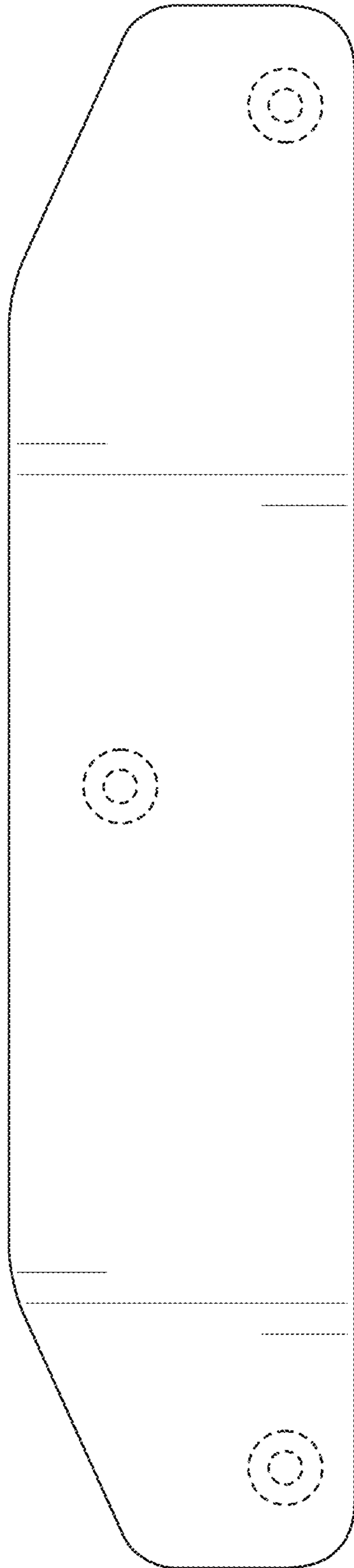


FIG. 5

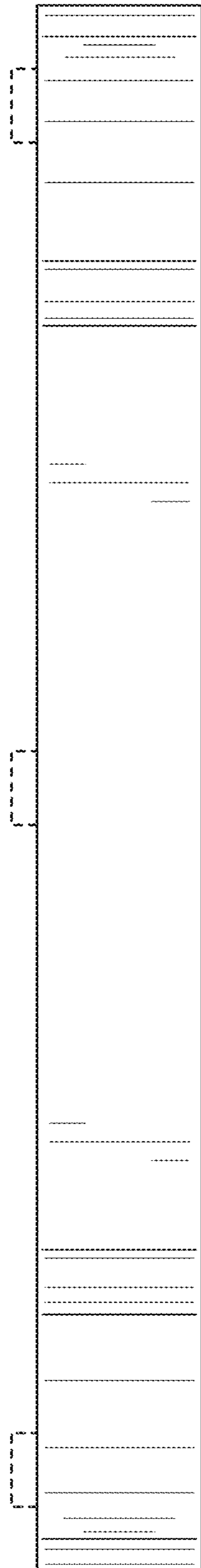


FIG. 6

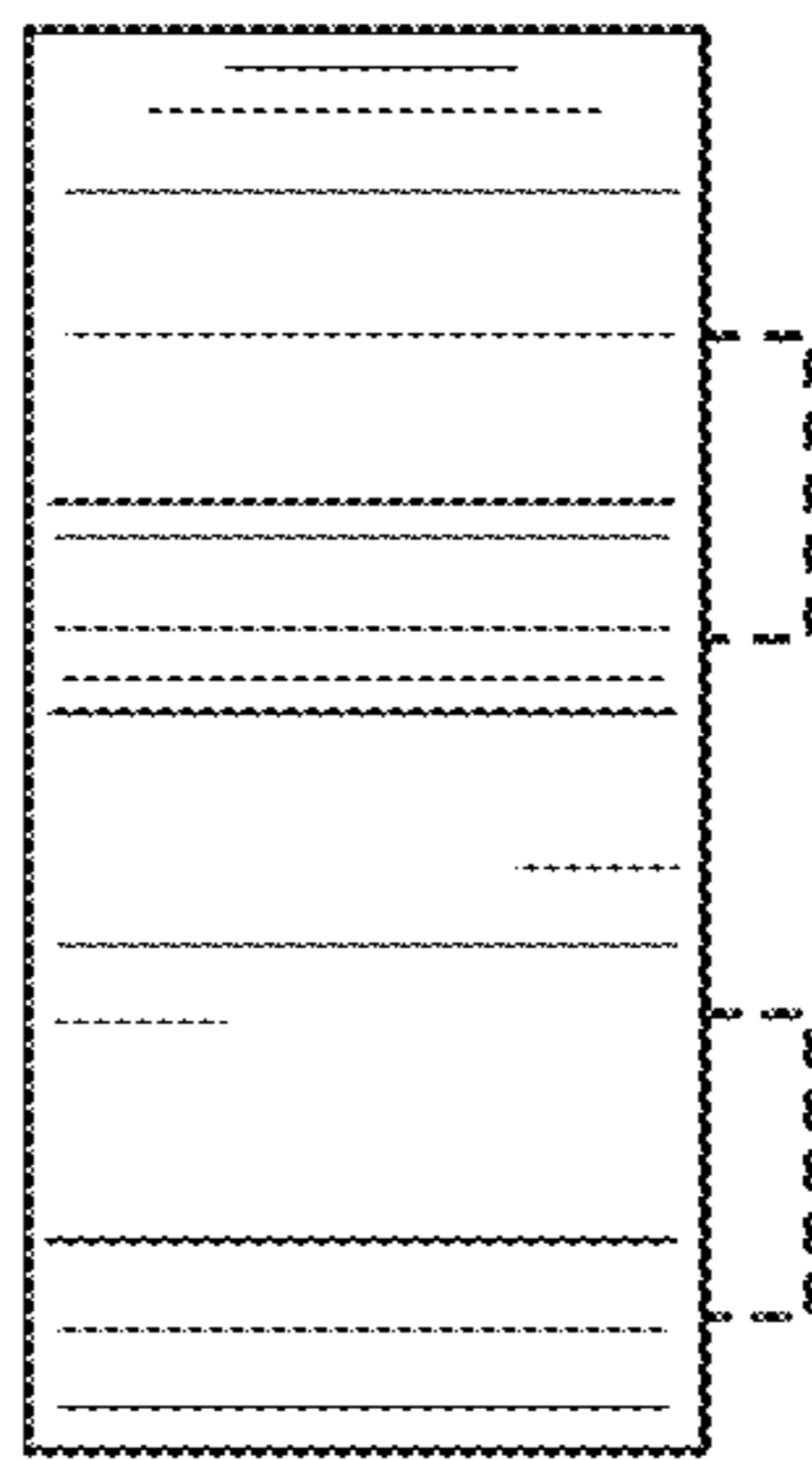


FIG. 7