



US00D894239S

(12) **United States Design Patent** (10) **Patent No.:** **US D894,239 S**
Coates et al. (45) **Date of Patent:** **** Aug. 25, 2020**

- (54) **SUPERCHARGER**
- (71) Applicant: **Eaton Corporation**, Cleveland, OH (US)
- (72) Inventors: **Michael Ernest Coates**, Marshall, MI (US); **Brandon John Elliott**, Ceresco, MI (US)
- (73) Assignee: **Eaton Corporation**, Cleveland, OH (US)
- (**) Term: **15 Years**
- (21) Appl. No.: **29/617,794**
- (22) Filed: **Sep. 15, 2017**
- (51) **LOC (12) Cl.** **15-01**
- (52) **U.S. Cl.**
USPC **D15/5**
- (58) **Field of Classification Search**
USPC D15/1-7
CPC F04C 18/084; F04C 18/16; F04C 18/18;
F04C 18/126; F04C 29/12
See application file for complete search history.

D786,933	S *	5/2017	Li	D15/5
D788,174	S *	5/2017	Rienas	D15/5
D788,176	S *	5/2017	Northrop	D15/5
9,822,781	B2	11/2017	Swartzlander		
2004/0208770	A1	10/2004	Prior		
2006/0263230	A1	11/2006	Swartzlander		
2007/0107704	A1	5/2007	Billings et al.		
2008/0271719	A1	11/2008	Prior		
2008/0292452	A1	11/2008	Prior et al.		
2010/0086402	A1	4/2010	Ouwenga et al.		
2010/0108040	A1	5/2010	Simons et al.		
2011/0150671	A1	6/2011	Ouwenga		
2012/0020824	A1	1/2012	Huang et al.		
2012/0037473	A1	2/2012	Ouwenga		
2014/0017101	A1	1/2014	Staley		

(Continued)

Primary Examiner — T Chase Nelson
Assistant Examiner — Ania Aman
(74) *Attorney, Agent, or Firm* — RMCK Law Group PLC

(57) **CLAIM**

The ornamental design for a supercharger, as shown and described.

DESCRIPTION

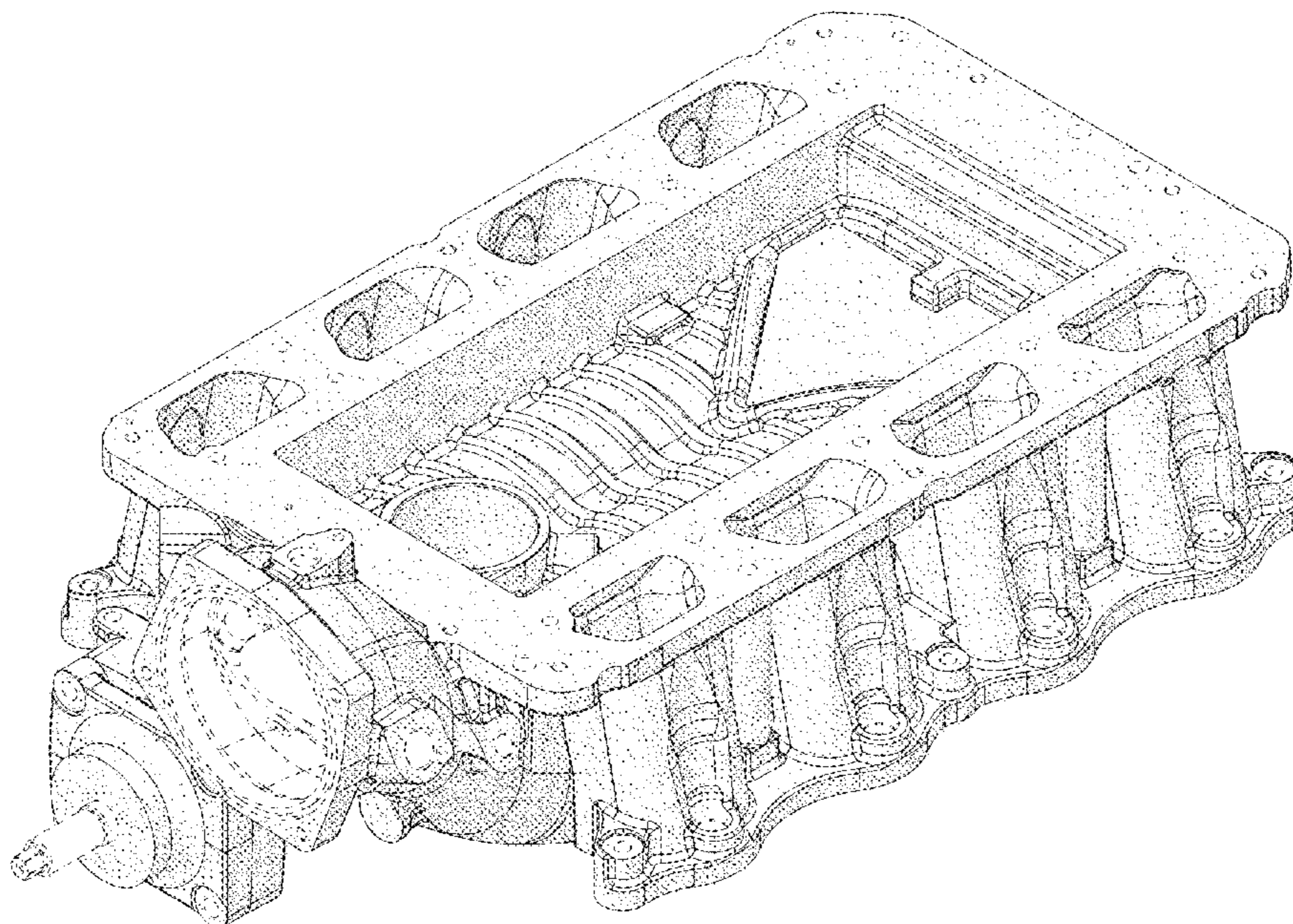
FIG. 1 is a first perspective view of a supercharger in accordance with the present teachings.
FIG. 2 is a second perspective view of the supercharger of FIG. 1.
FIG. 3 is a first side view of the supercharger of FIG. 1.
FIG. 4 is a second side view of the supercharger of FIG. 1.
FIG. 5 is a third side view of the supercharger of FIG. 1.
FIG. 6 is a fourth side view of the supercharger of FIG. 1.
FIG. 7 is a first end view of the supercharger of FIG. 1; and,
FIG. 8 is a second end view of the supercharger of FIG. 1.
Any portion of the supercharger shown in broken lines is for the purpose of illustrating environmental structure and forms no part of the claimed design.

1 Claim, 8 Drawing Sheets

(56) **References Cited**

U.S. PATENT DOCUMENTS

6,994,603	B2	2/2006	Clark et al.
7,488,164	B2	2/2009	Swartzlander
7,604,467	B2	10/2009	Prior
7,726,286	B2	6/2010	Prior et al.
7,765,993	B2	8/2010	Wu et al.
8,464,697	B2	6/2013	Ouwenga et al.
8,701,635	B2	4/2014	Simons et al.
D718,043	S	11/2014	Hamburger
D732,081	S	6/2015	Northrop et al.
9,086,012	B2	7/2015	Creager et al.
9,617,998	B2	4/2017	Knutsson et al.



(56)

References Cited

U.S. PATENT DOCUMENTS

2015/0118086 A1* 4/2015 Swartzlander F04C 29/12
418/1
2015/0132171 A1 5/2015 Knutsson et al.
2015/0252719 A1 9/2015 Pryor et al.
2016/0003129 A1 1/2016 Swartzlander et al.
2016/0003249 A1 1/2016 Ouwenga et al.
2016/0003250 A1 1/2016 McWilliams et al.
2016/0047340 A1* 2/2016 Mahalatkar F04C 18/126
123/568.12
2016/0222876 A1 8/2016 Ouwenga
2016/0325618 A1* 11/2016 Northrop F01N 3/055
2017/0204881 A1* 7/2017 Mahalatkar F02M 35/1216

* cited by examiner

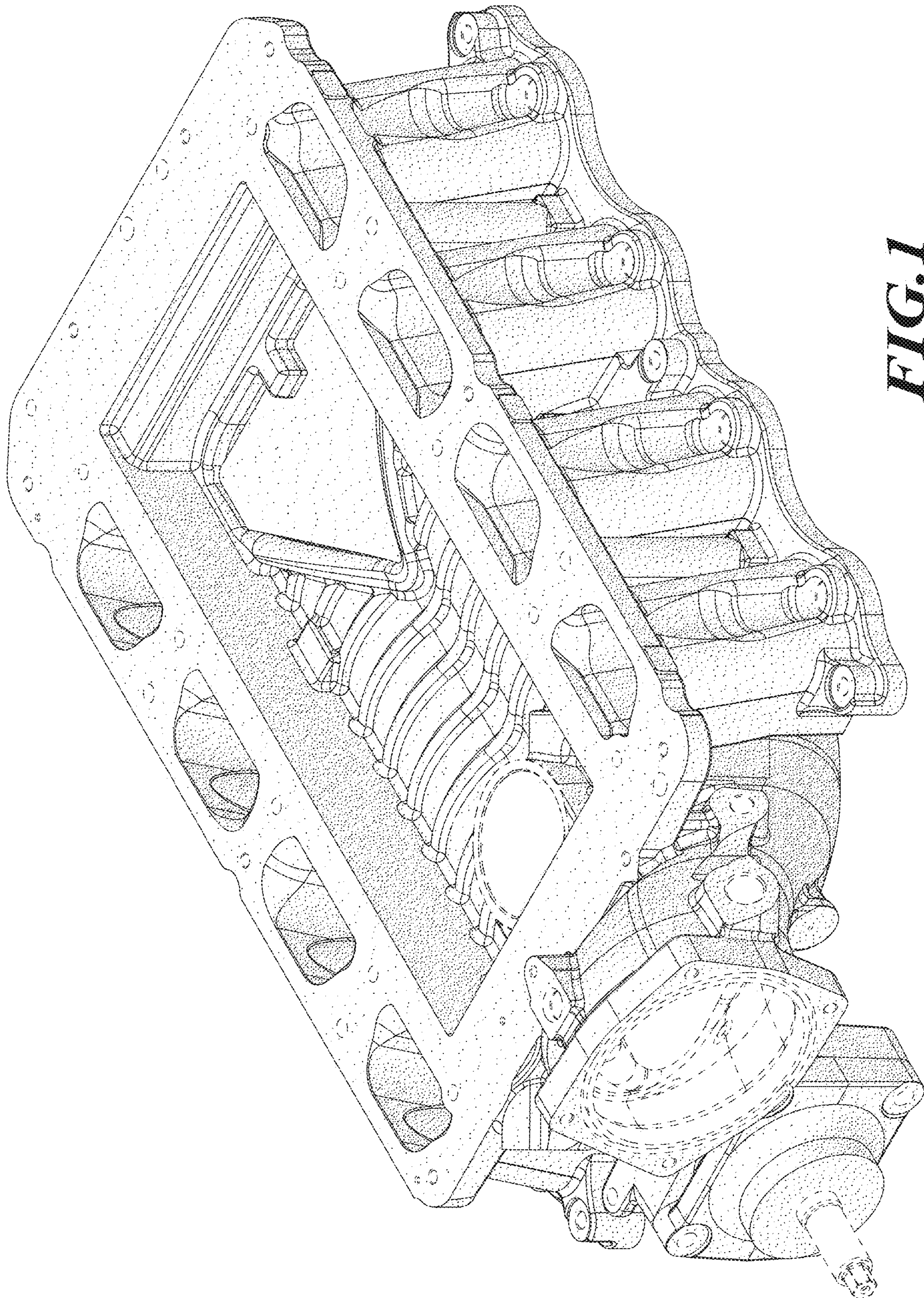


FIG. 1

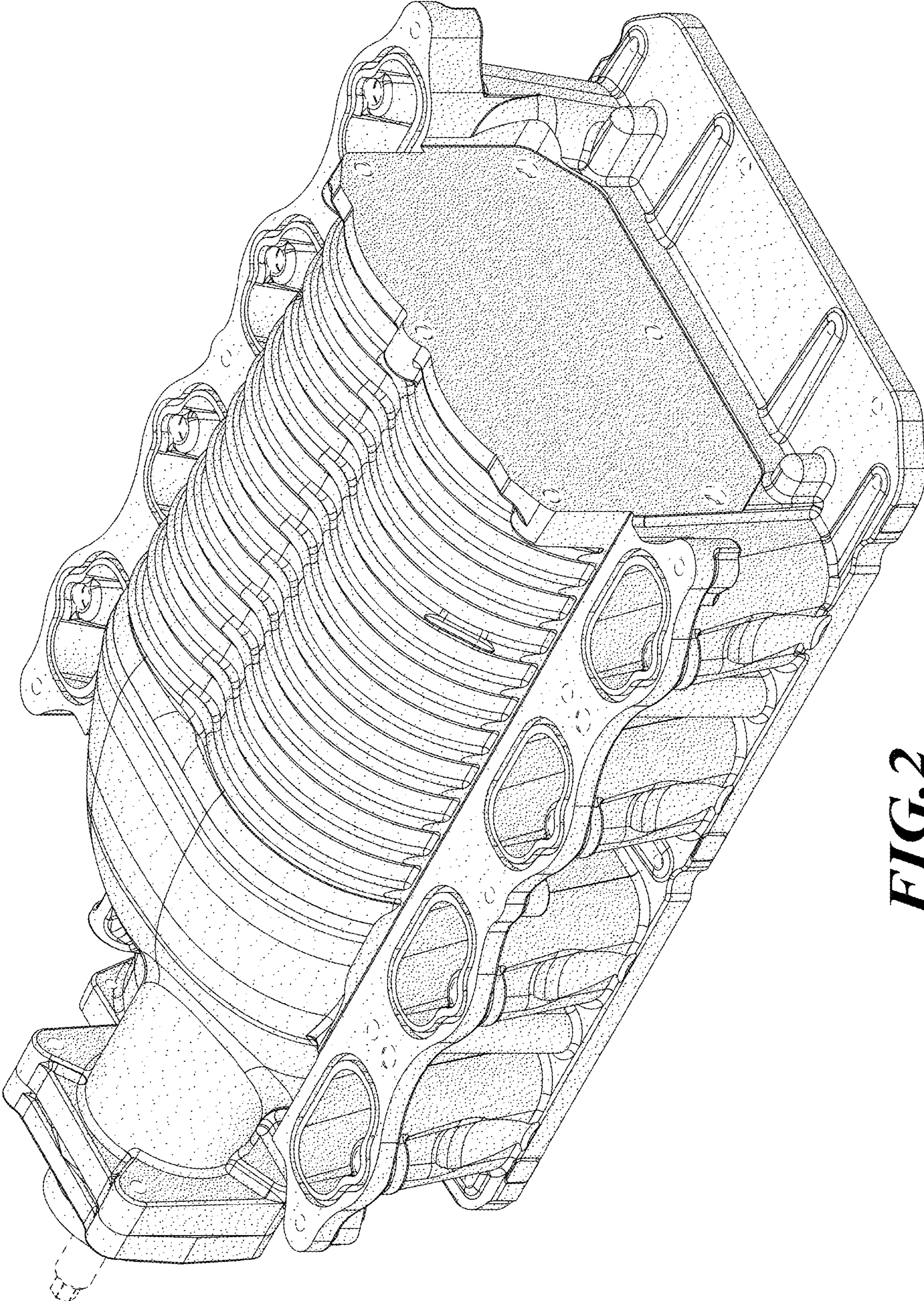


FIG. 2

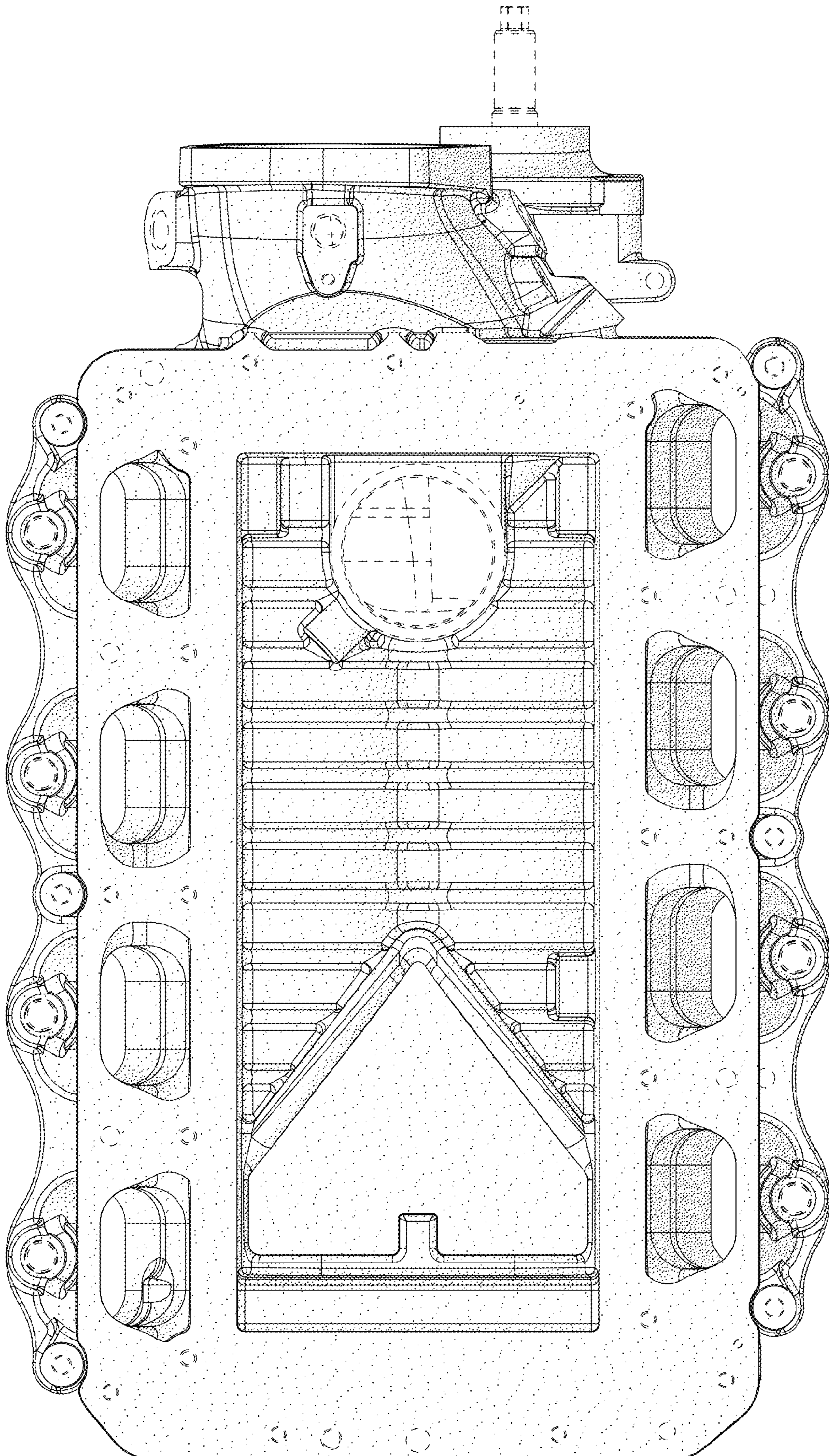


FIG. 3

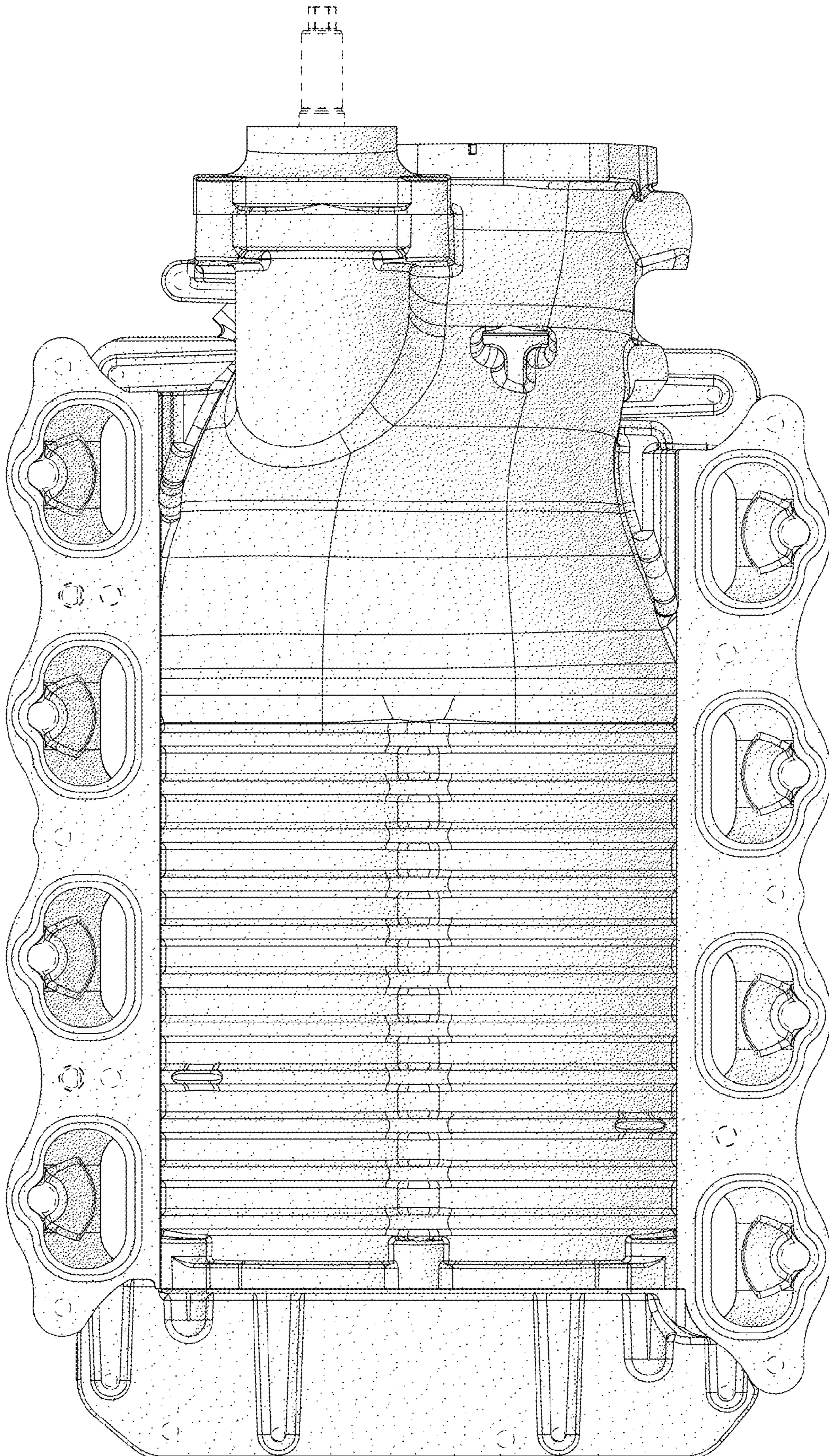


FIG. 4

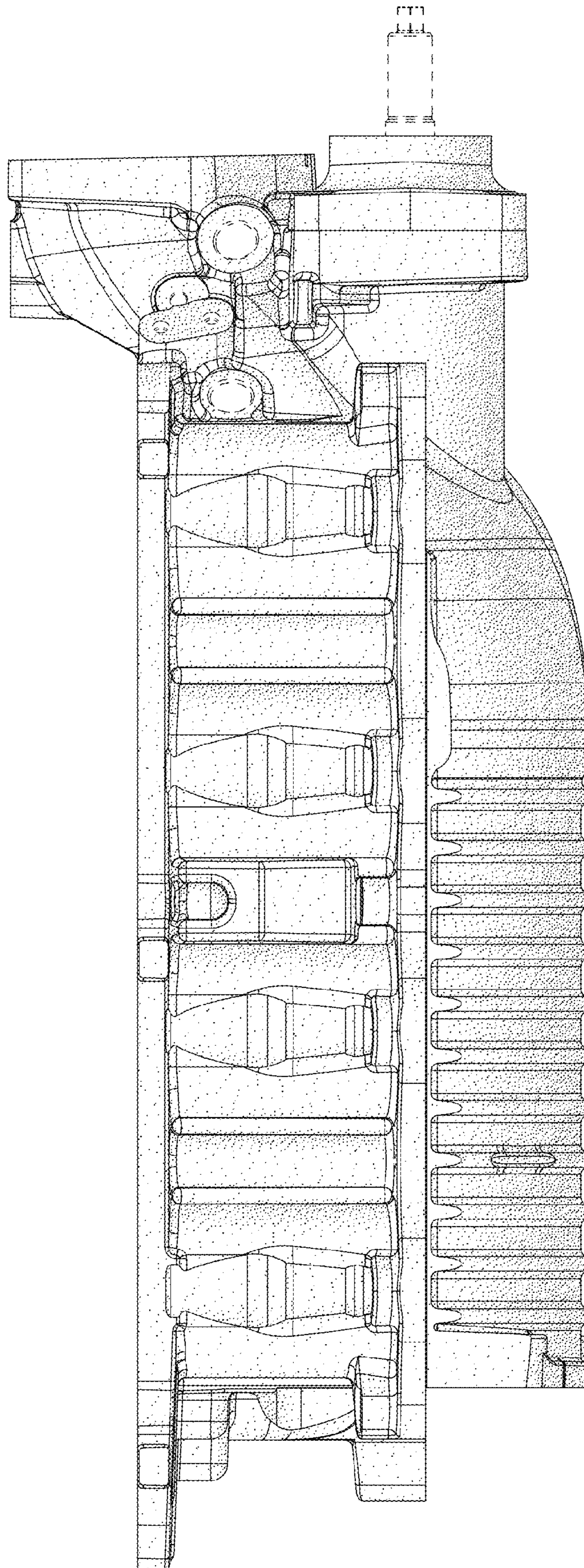


FIG. 5

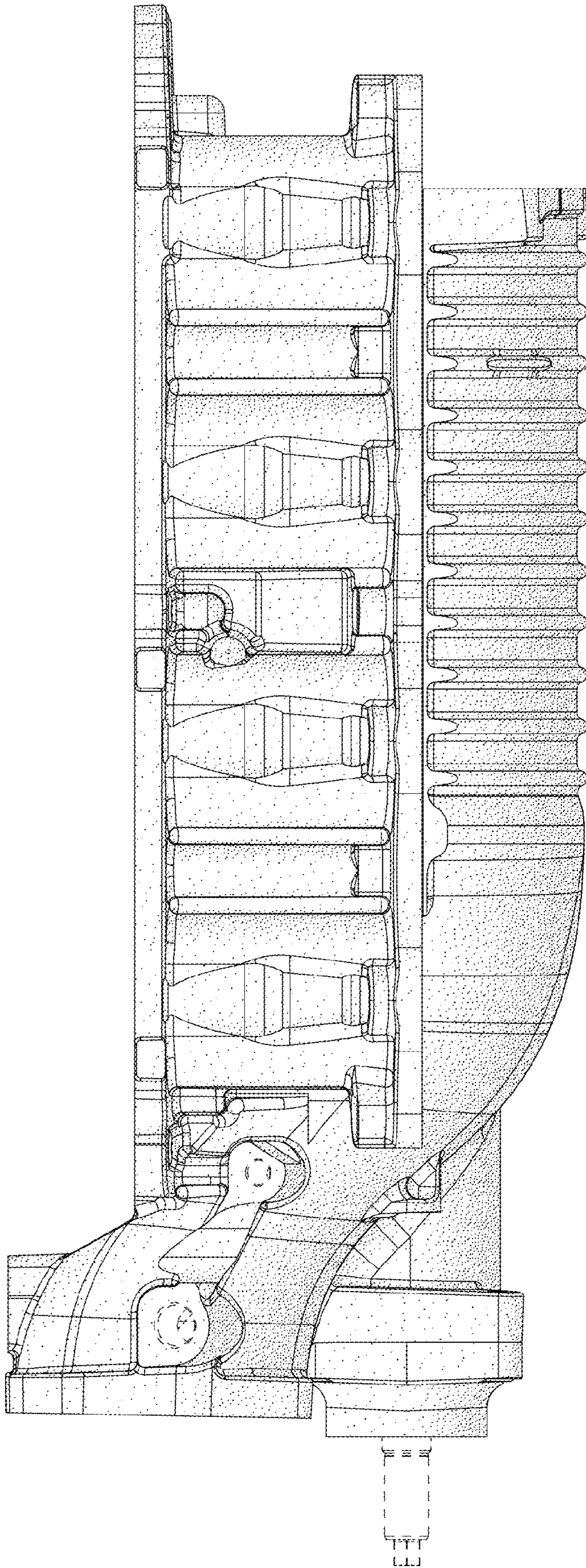


FIG. 6

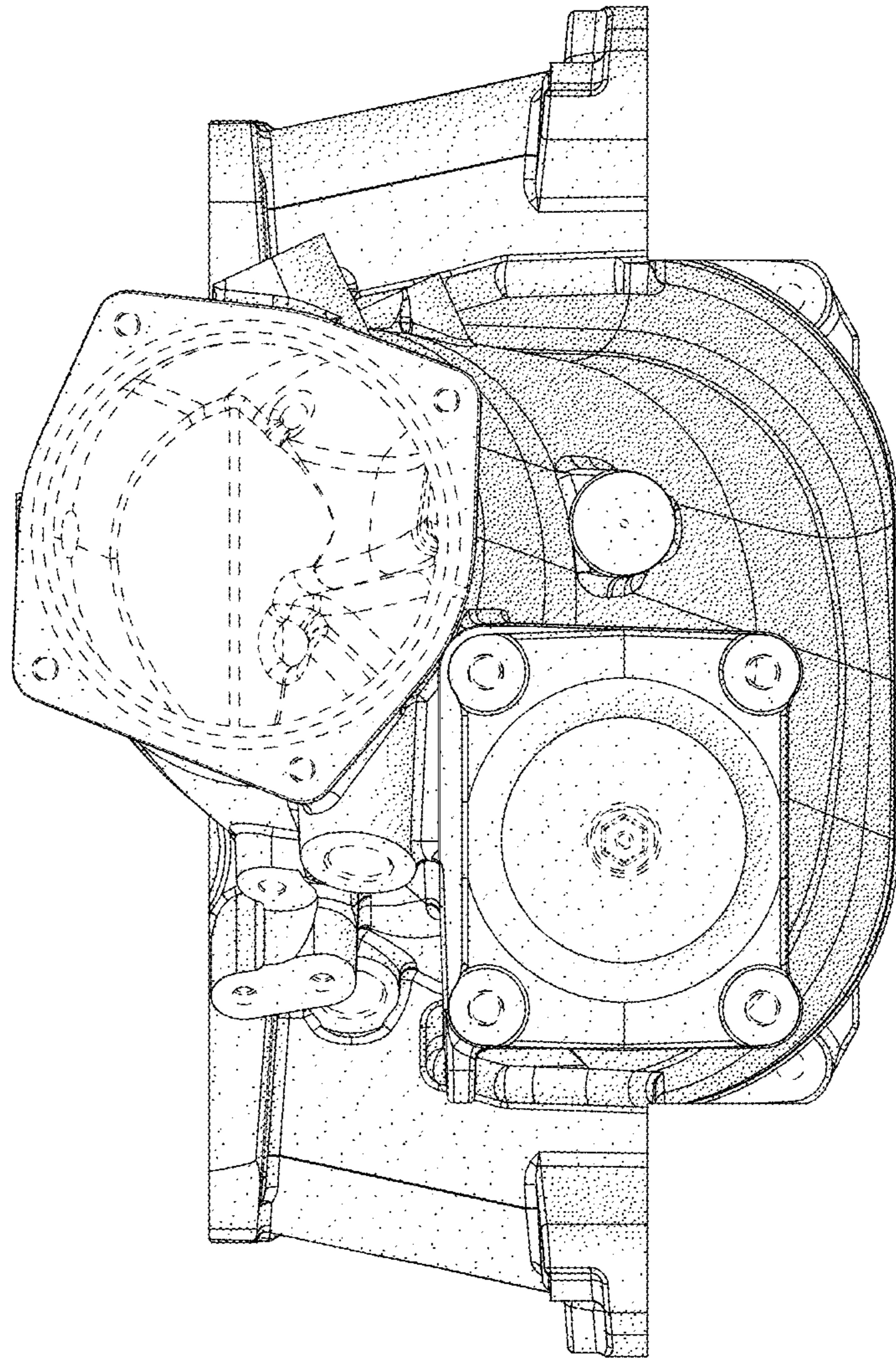


FIG. 7

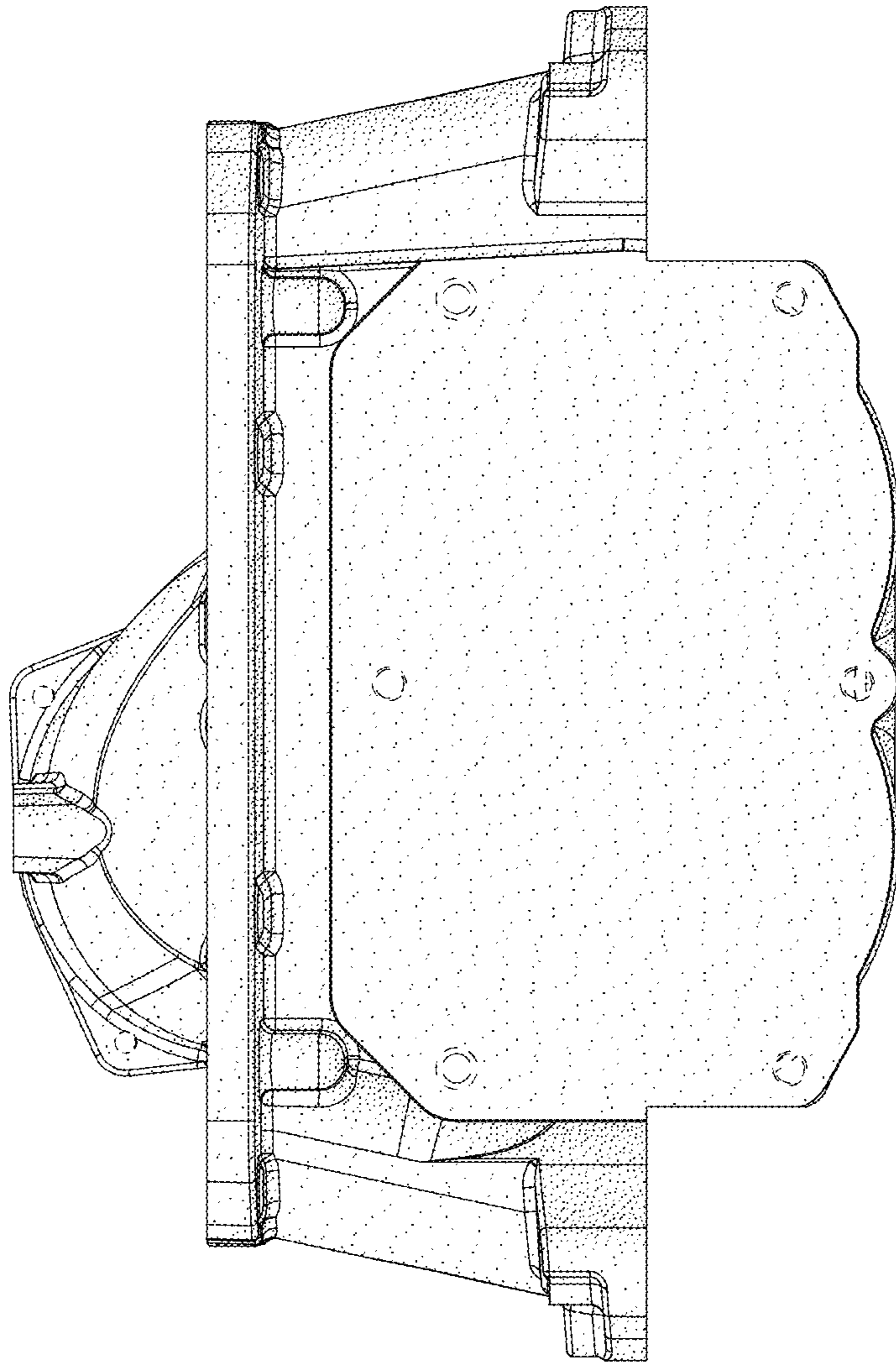


FIG. 8