

US00D894218S

(12) **United States Design Patent** (10) **Patent No.:** **US D894,218 S**
Nesladek et al. (45) **Date of Patent:** **** Aug. 25, 2020**

(54) **DISPLAY PANEL OR PORTION THEREOF WITH A GRAPHICAL USER INTERFACE**

(71) Applicant: **Magic Leap, Inc.**, Plantation, FL (US)

(72) Inventors: **Christopher David Nesladek**, San Francisco, CA (US); **James M. Powderly**, Fort Lauderdale, FL (US); **Cole Parker Heiner**, Fort Lauderdale, FL (US)

(73) Assignee: **Magic Leap, Inc.**, Plantation, FL (US)

(**) Term: **15 Years**

(21) Appl. No.: **29/732,556**

(22) Filed: **Apr. 24, 2020**

Related U.S. Application Data

(60) Division of application No. 29/631,979, filed on Jan. 4, 2018, now Pat. No. Des. 886,138, which is a continuation of application No. 29/618,568, filed on Sep. 21, 2017, now Pat. No. Des. 883,308.

(51) **LOC (12) Cl.** **14-04**

(52) **U.S. Cl.**
USPC **D14/486**

(58) **Field of Classification Search**
USPC D14/485-495
CPC ... B60K 37/00; G06F 3/0481; G06F 3/04845; G06F 3/04817; G06F 17/212; G06F 19/3406; G06T 13/80; G06T 15/02
See application file for complete search history.

(56) **References Cited**

U.S. PATENT DOCUMENTS

6,198,483 B1 * 3/2001 Launais G06F 3/0481
715/781
6,922,815 B2 * 7/2005 Rosen G06F 16/954
715/782

7,636,889 B2 * 12/2009 Weber G06F 3/0482
345/672
D625,734 S * 10/2010 Kurozumi D14/488
D643,438 S * 8/2011 Gardner D14/486
8,024,658 B1 * 9/2011 Fagans G06Q 30/0621
715/243
D761,301 S * 7/2016 Kim D14/488
D777,768 S * 1/2017 Persson D14/487
D778,311 S * 2/2017 Denis D14/487
D791,806 S * 7/2017 Brewington D14/486
D797,767 S * 9/2017 Esselstrom D14/485
D800,747 S * 10/2017 Lee D14/486

(Continued)

OTHER PUBLICATIONS

Notice of Allowance for U.S. Appl. No. 29/631,985 dated Apr. 8, 2020.

(Continued)

Primary Examiner — Philip S Hyder

Assistant Examiner — Cary M Robinson

(74) *Attorney, Agent, or Firm* — Vista IP Law Group LLP

(57) **CLAIM**

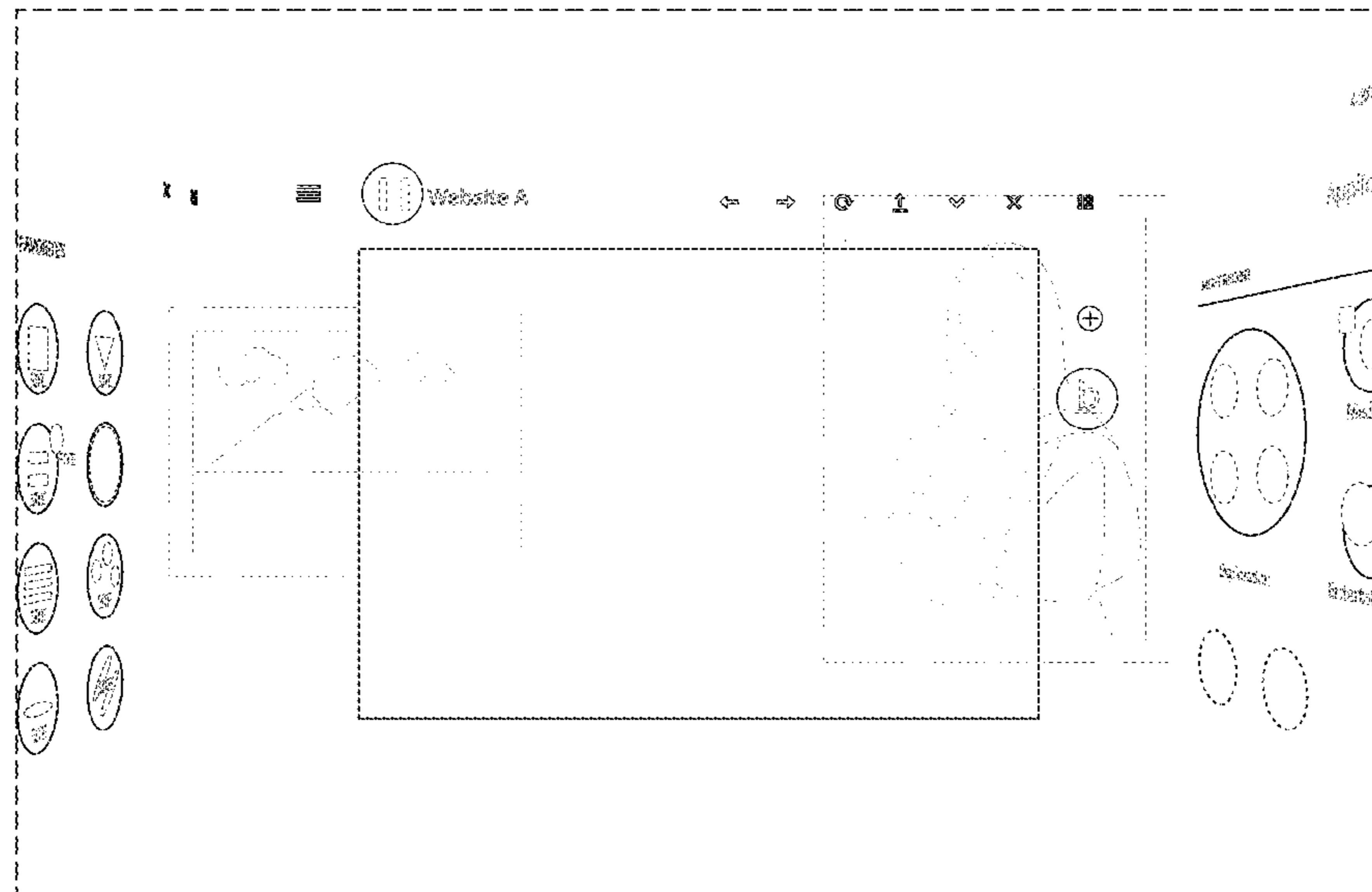
The ornamental design for a display panel or portion thereof with a graphical user interface, as shown and described.

DESCRIPTION

FIG. 1 is a front view of a display panel or portion thereof with a graphical user interface showing a first embodiment of our design; and, FIG. 2 is a front view of a display panel or portion thereof with a graphical user interface showing a second embodiment thereof.

The outermost broken line rectangle illustrates a display panel or portion thereof that forms no part of the claimed design. The remaining broken lines, including all text, illustrate portions of the graphical user interface or mixed reality environment and form no part of the design.

1 Claim, 2 Drawing Sheets



(56)

References Cited

U.S. PATENT DOCUMENTS

D802,620	S *	11/2017	Bae	D14/487
D858,537	S *	9/2019	Esselstrom	D14/485
D865,811	S *	11/2019	Dagley	D14/492
D883,308	S *	5/2020	Nesladek	D14/486
D884,013	S *	5/2020	Clediere	D14/486
D884,018	S *	5/2020	Agarawala	D14/488
2004/0066411	A1 *	4/2004	Fung	G06F 3/0481 715/781
2009/0276724	A1 *	11/2009	Rosenthal	G06F 16/338 715/771
2014/0337749	A1 *	11/2014	Phang	G06F 3/012 715/740
2014/0337773	A1 *	11/2014	Phang	G06F 3/0482 715/767
2014/0354650	A1 *	12/2014	Singh	G06F 8/34 345/440
2015/0378529	A1 *	12/2015	Ramanathan	G06T 11/206 715/834
2016/0357842	A1 *	12/2016	Kohlmeier	G06F 40/106

OTHER PUBLICATIONS

Notice of Allowance for U.S. Appl. No. 29/732,512 dated Jun. 18, 2020.

Notice of Allowance for U.S. Appl. No. 29/732,548 dated Jun. 4, 2020.

Notice of Allowance for U.S. Appl. No. 29/732,558 dated Jun. 15, 2020.

Notice of Allowance for U.S. Appl. No. 29/732,884 dated Jun. 1, 2020.

Notice of Allowance for U.S. Appl. No. 29/732,893 dated Jun. 1, 2020.

Notice of Allowance for U.S. Appl. No. 29/733,008 dated Jun. 15, 2020.

Notice of Allowance for U.S. Appl. No. 29/733,013 dated Jun. 15, 2020.

Notice of Allowance for U.S. Appl. No. 29/631,979 dated Apr. 8, 2020.

* cited by examiner

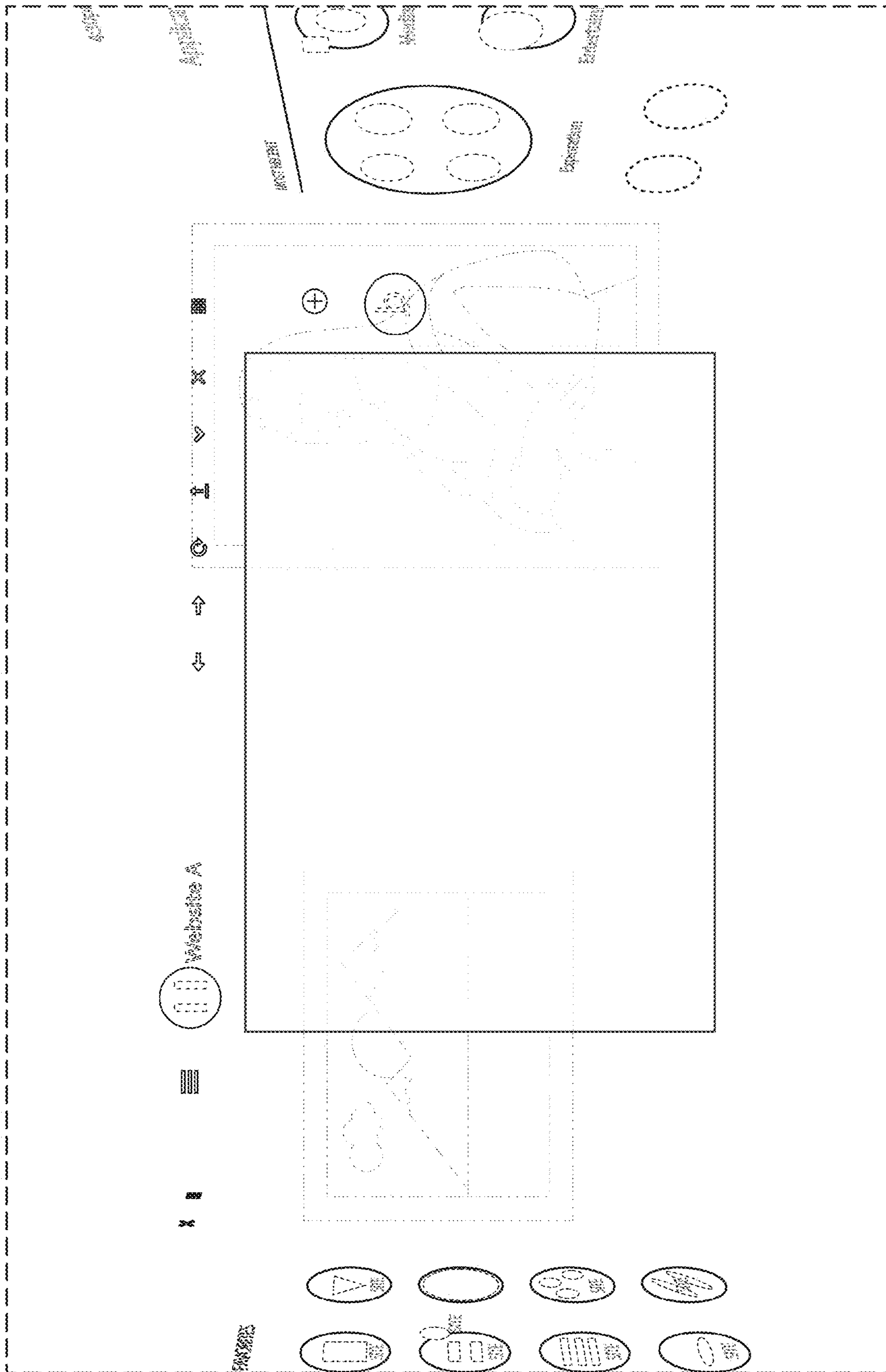


FIG. 1

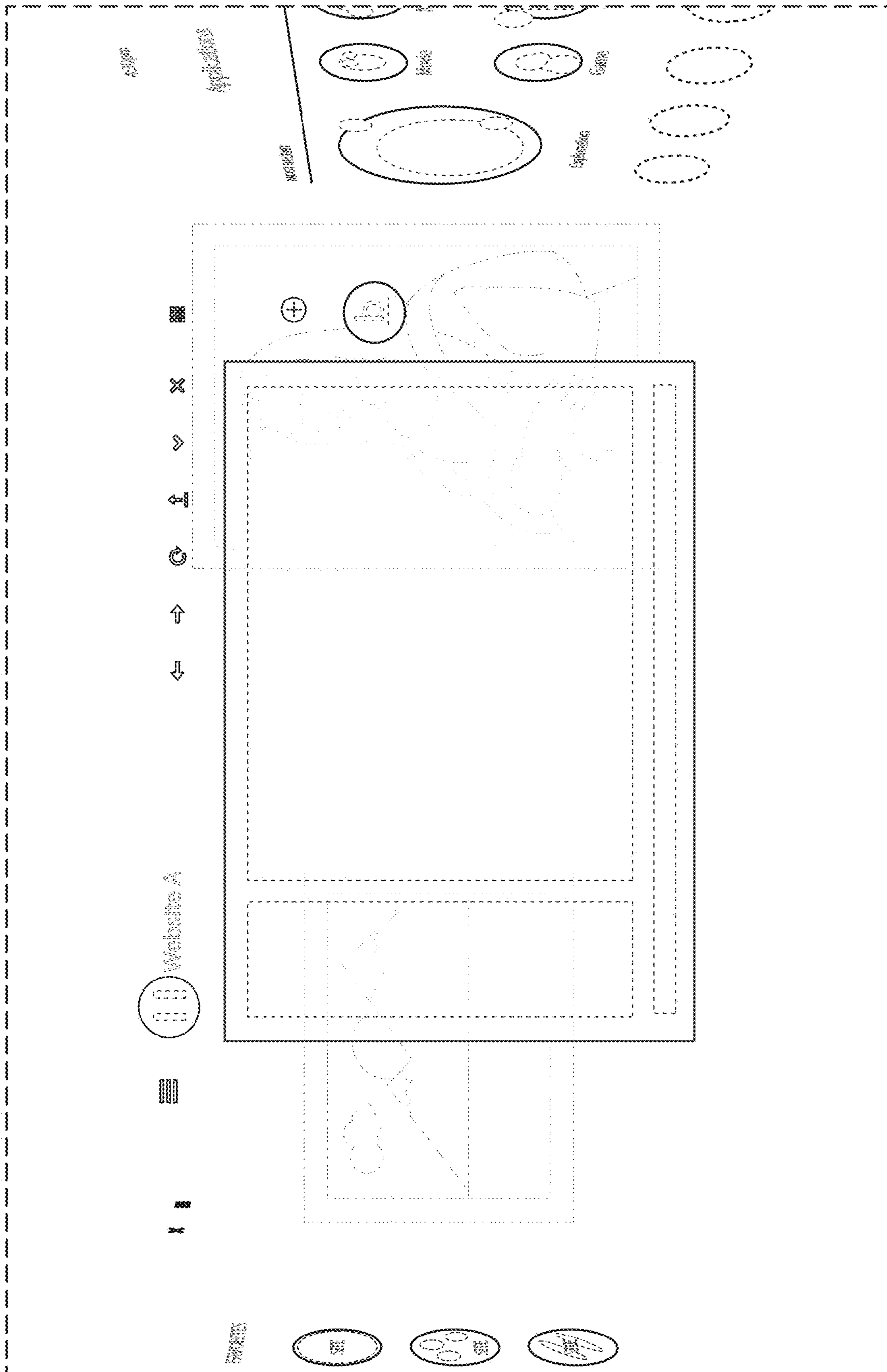


FIG. 2