



US00D894211S

(12) **United States Design Patent**
Oguchi et al.

(10) **Patent No.:** **US D894,211 S**

(45) **Date of Patent:** **** Aug. 25, 2020**

(54) **DISPLAY SCREEN WITH GRAPHICAL USER INTERFACE**

(71) Applicant: **MINEBEA MITSUMI Inc.**, Nagano (JP)

(72) Inventors: **Shinya Oguchi**, Chofu (JP); **Yoshihiro Sagawa**, Iwata (JP); **Jun Ando**, Yaizu (JP); **Shogo Imamura**, Fukuroi (JP)

(73) Assignee: **MINEBEA MITSUMI INC.**, Nagano (JP)

(**) Term: **15 Years**

(21) Appl. No.: **29/677,438**

(22) Filed: **Jan. 21, 2019**

(30) **Foreign Application Priority Data**

Jul. 23, 2018 (JP) 2018-016051
Jul. 23, 2018 (JP) 2018-016053

(51) **LOC (12) Cl.** **14-04**

(52) **U.S. Cl.**
USPC **D14/486**

(58) **Field of Classification Search**
USPC D14/485-495
CPC B60H 1/00; G11B 19/027; H04L 41/22; H04L 12/282; H04L 67/025; H04L 29/08099; H05B 33/08; H05B 37/02; A61B 5/02; A61B 8/46; G06F 19/34; G06F 19/3418; G06F 19/3406; G06T 2207/30004

See application file for complete search history.

(56) **References Cited**

U.S. PATENT DOCUMENTS

D474,779 S * 5/2003 Greminger D14/486
6,952,221 B1 * 10/2005 Holtz G11B 27/034
715/719

D625,313 S * 10/2010 Jewitt D14/485
D659,158 S * 5/2012 Clymer D14/488
D687,855 S * 8/2013 Hudson D14/489
D746,321 S * 12/2015 Shardlow D14/487
D752,089 S * 3/2016 Cru D14/488
D760,271 S * 6/2016 Drozd D14/487
D778,301 S * 2/2017 Toda D14/486
D783,652 S * 4/2017 Guan D14/486
D783,667 S * 4/2017 Jung D14/487
D794,669 S * 8/2017 Baker D14/482
D798,309 S * 9/2017 Rickes D14/485

(Continued)

Primary Examiner — Darlington Ly

Assistant Examiner — Katherine A Holbrow

(74) *Attorney, Agent, or Firm* — Pearne & Gordon LLP

(57) **CLAIM**

The ornamental design for a display screen with graphical user interface, as shown and described.

DESCRIPTION

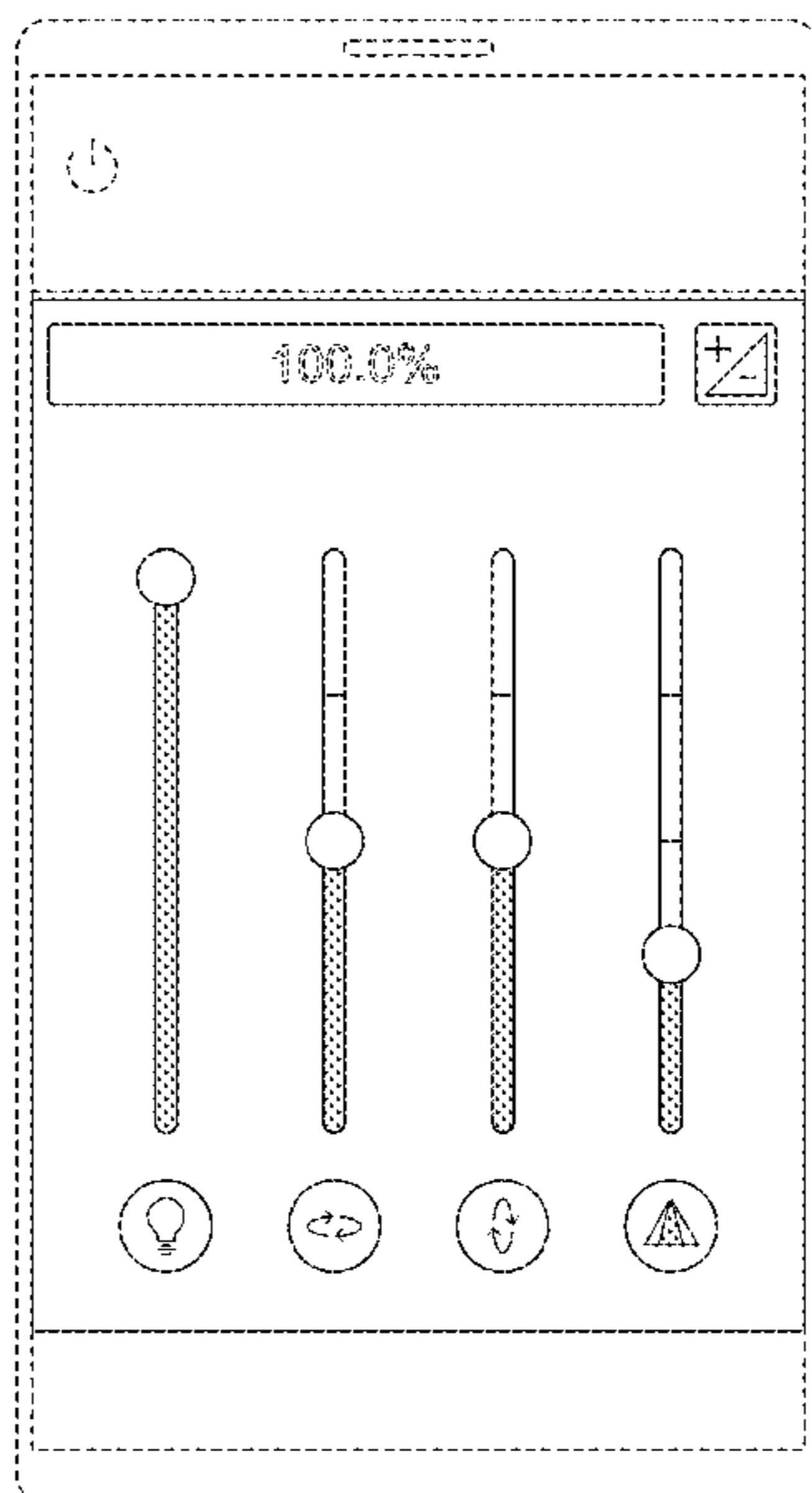
FIG. 1 is a front view of a display screen with graphical user interface, showing a first embodiment of the new design; FIG. 2 is a front view of FIG. 1 with a region for enlargement indicated by dot-dash broken lines and the number “3”; FIG. 3 is a detail of the area indicated by dot-dash broken lines in FIG. 2;

FIG. 4 is a front view of a display screen with graphical user interface, showing a second embodiment of the new design; FIG. 5 is a front view of FIG. 4 with a region for enlargement indicated by dot-dash broken lines and the number “6”; and,

FIG. 6 is a detail of the area indicated by dot-dash broken lines in FIG. 5.

The broken lines depicting a device and portions of the display screen with graphical user interface form no part of the claimed design.

1 Claim, 6 Drawing Sheets



(56)

References Cited

U.S. PATENT DOCUMENTS

D820,293 S *	6/2018	Poel	D14/486
D820,862 S *	6/2018	Alfonzo	D14/486
D862,500 S *	10/2019	Pillalamarri	D14/485
2013/0227427 A1 *	8/2013	Mockli	G06F 3/0486 715/747
2016/0043905 A1 *	2/2016	Fiedler	G06F 3/0482 715/736

* cited by examiner

FIG. 1

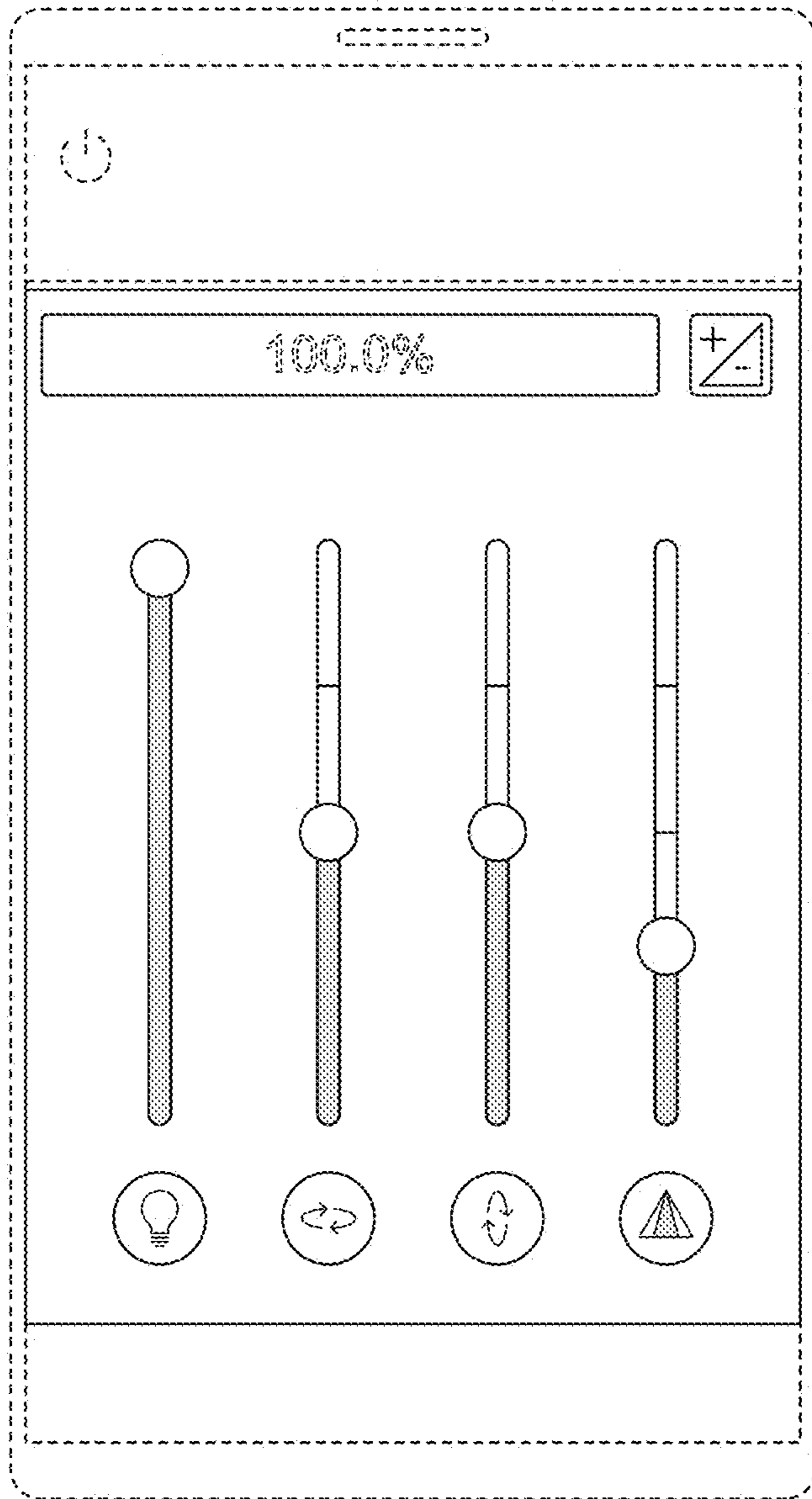


FIG. 2

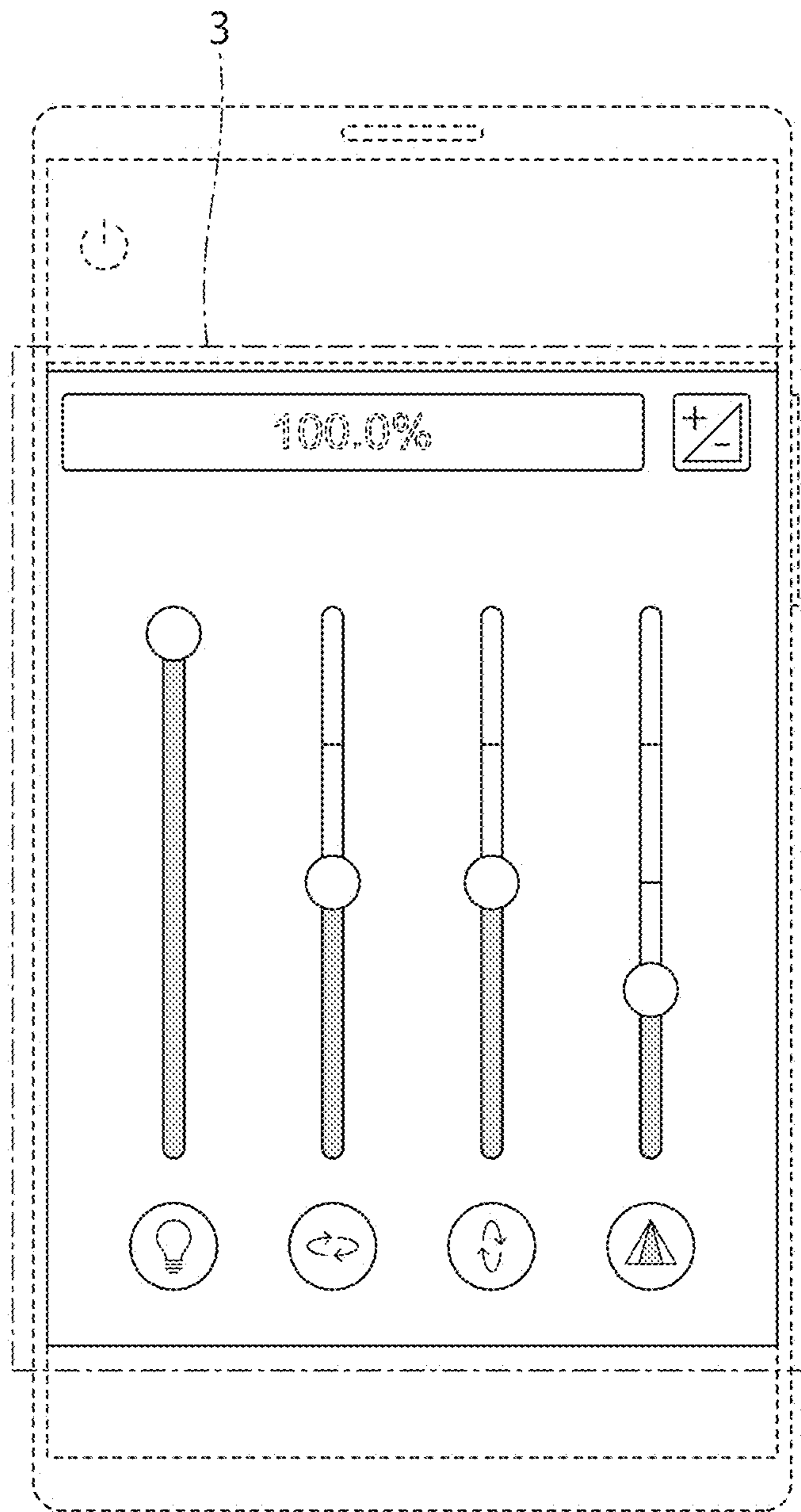


FIG. 3

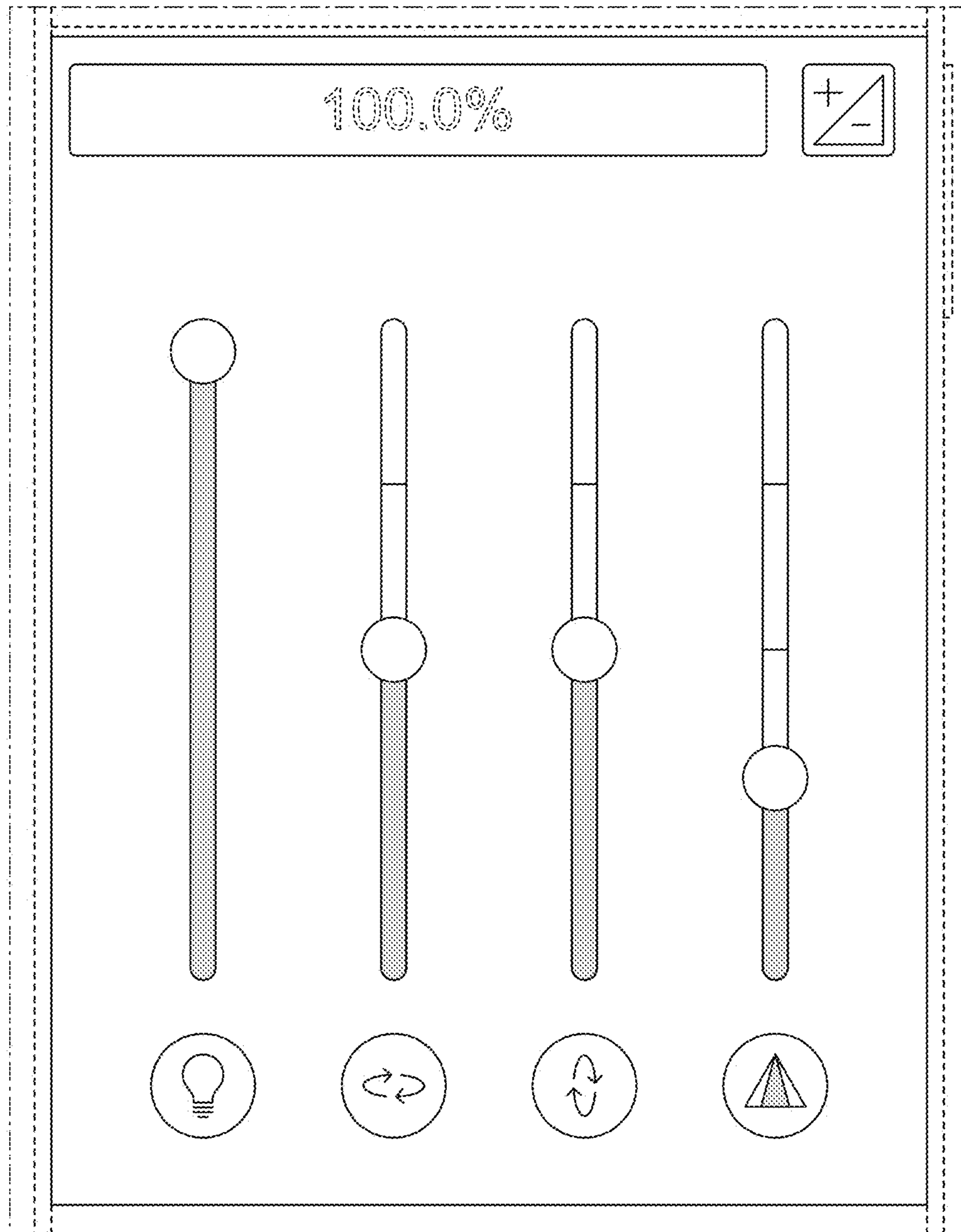


FIG. 4

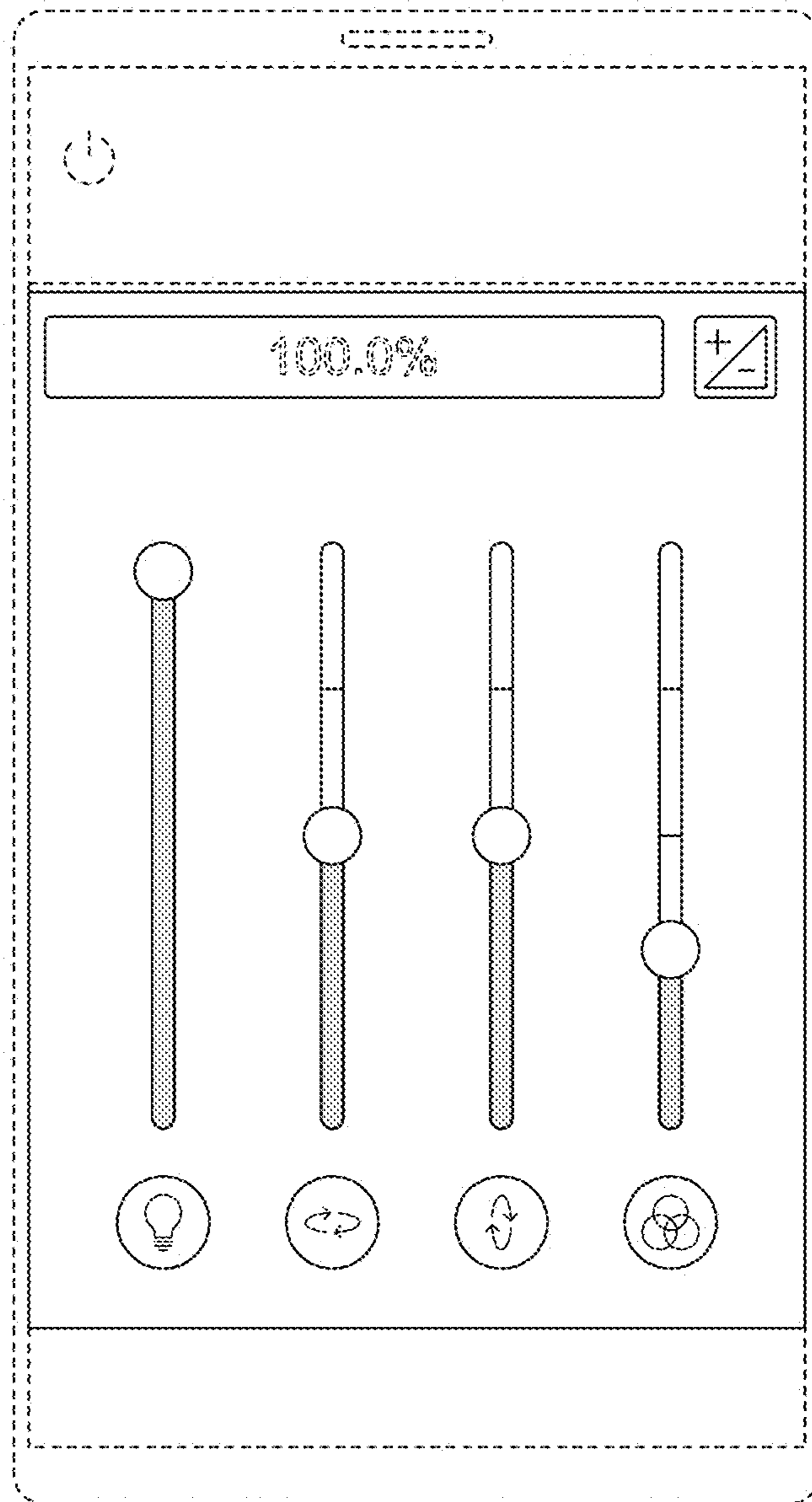


FIG. 5

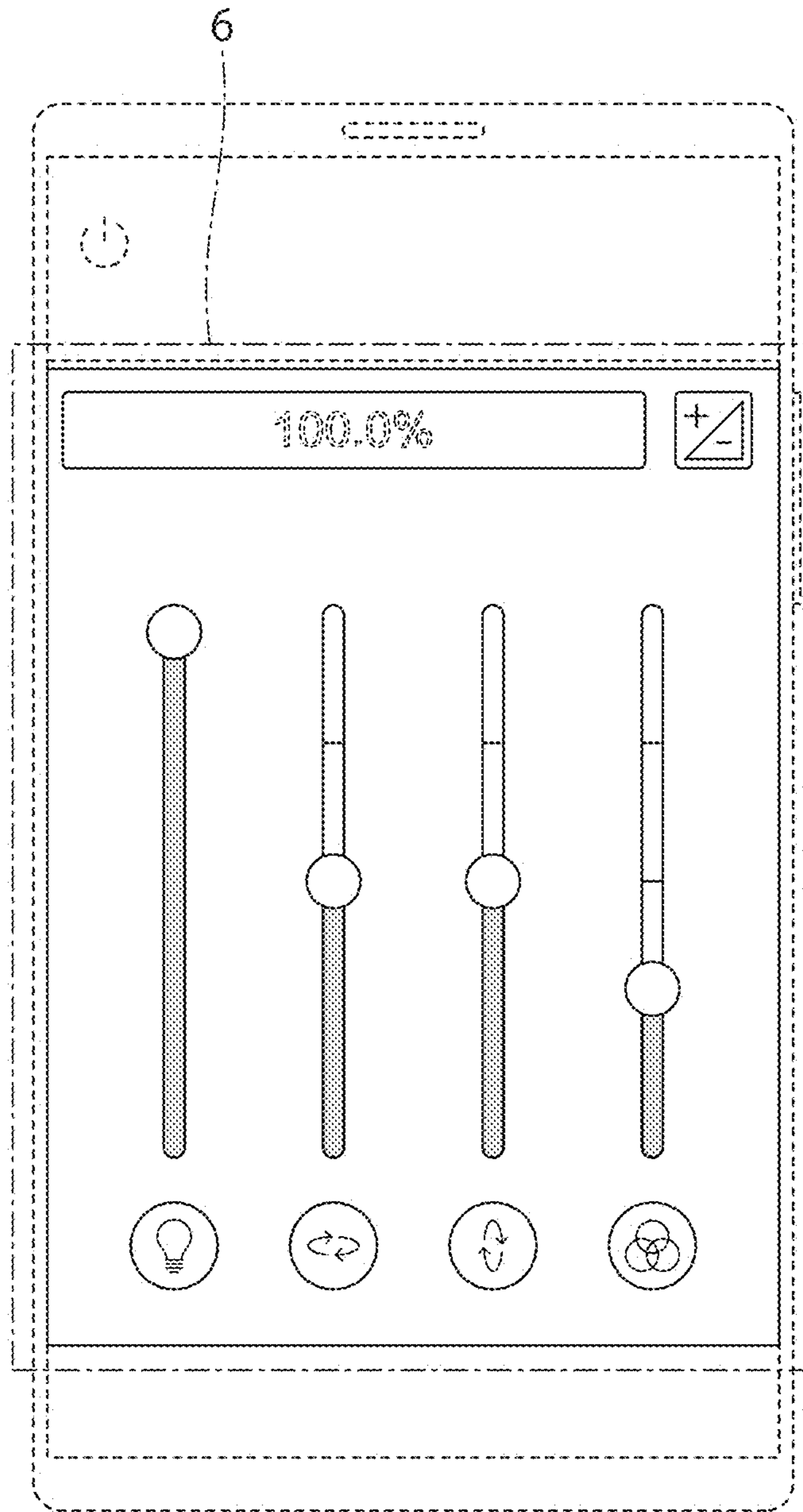


FIG. 6

