

US00D894198S

(12) **United States Design Patent** (10) **Patent No.:** **US D894,198 S**
Matsumoto et al. (45) **Date of Patent:** **** Aug. 25, 2020**

(54) **FOB DEVICE**

(71) Applicant: **Amazon Technologies, Inc.**, Seattle, WA (US)

(72) Inventors: **Ipppei Matsumoto**, Daly City, CA (US); **Robert Brian Curtis**, San Francisco, CA (US)

(73) Assignee: **Amazon Technologies, Inc.**, Seattle, WA (US)

(**) Term: **15 Years**

(21) Appl. No.: **29/712,929**

(22) Filed: **Nov. 12, 2019**

Related U.S. Application Data

(62) Division of application No. 29/637,893, filed on Feb. 22, 2018, now Pat. No. Des. 872,728.

(51) **LOC (12) Cl.** **14-03**

(52) **U.S. Cl.**
USPC **D14/480.5**

(58) **Field of Classification Search**
USPC D14/480.1–480.7, 435.1, 411, 433, 436, D14/484.1, 137, 155, 203.1–203.8, 240, D14/242; D13/133, 154
CPC H05K 5/0278; G06K 19/07732
See application file for complete search history.

(56) **References Cited**

U.S. PATENT DOCUMENTS

D534,448 S	1/2007	Shaffer, II et al.	
D562,819 S	2/2008	Yu et al.	
D569,375 S	5/2008	Yu et al.	
D663,310 S	7/2012	Prince	
D686,631 S	7/2013	Iversen	
D687,837 S *	8/2013	Andre	D14/480.2
D689,872 S *	9/2013	Andre	D14/480.3
D737,202 S	8/2015	Liu	

D741,865 S	10/2015	Sundermeyer et al.	
D754,139 S	4/2016	Billington	
D802,602 S *	11/2017	Chen	D14/480.5
D803,226 S *	11/2017	Lee	D14/480.1
D837,226 S	1/2019	Wei	
D862,486 S *	10/2019	Roberts	D14/480.6

(Continued)

OTHER PUBLICATIONS

Yubico, “YubiKey 4 Security Keys”, retrieved Jan. 26, 2018 from <https://www.yubico.com/product/yubikey-4-series/#yubikey-4c-nano>, 4 pgs.

Primary Examiner — Angela J Lee
(74) *Attorney, Agent, or Firm* — Lee & Hayes, P.C.

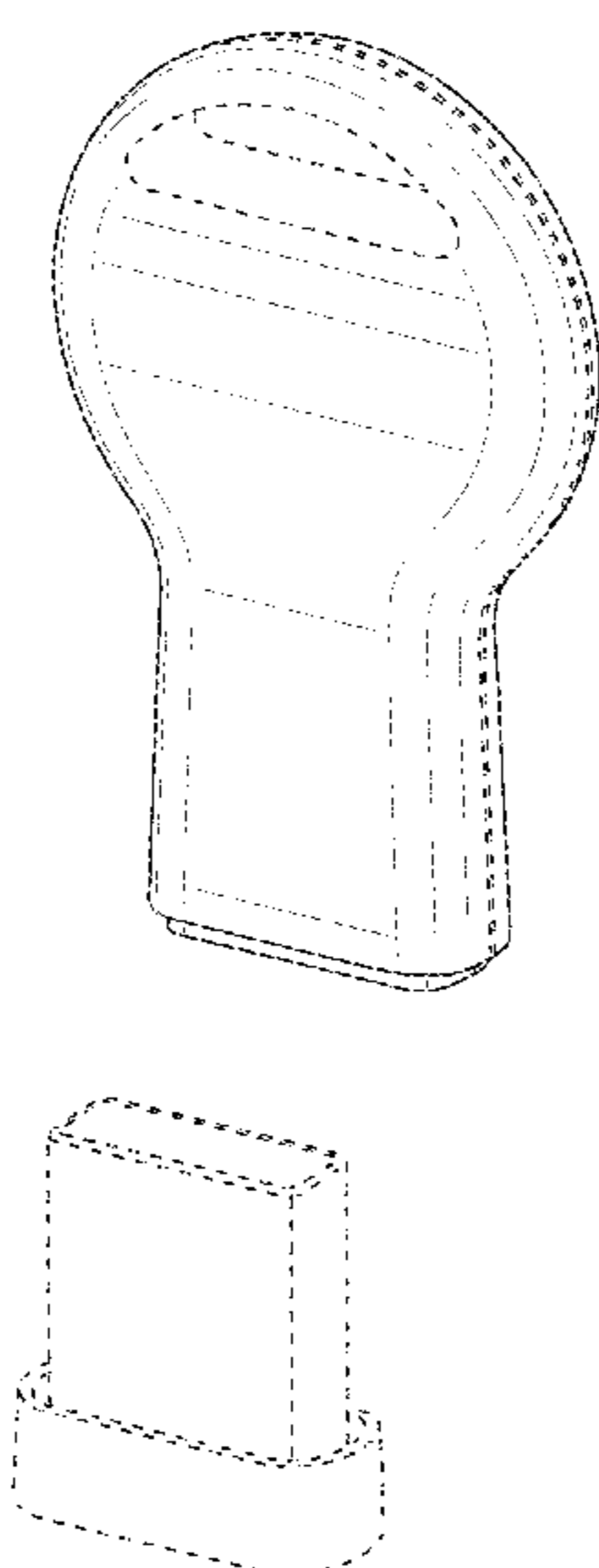
(57) **CLAIM**

The ornamental design for a fob device, as shown and described.

DESCRIPTION

FIG. 1 is a front perspective view of a fob device, such as an authentication token;
FIG. 2 is a front view of the fob device;
FIG. 3 is a back view of the fob device;
FIG. 4 is a left-side view of the fob device;
FIG. 5 is a right-side view of the fob device;
FIG. 6 is a top view of the fob device;
FIG. 7 is a bottom view of the fob device;
FIG. 8 is an enlarged bottom view of the fob device which shows additional disclaimed features of the fob device;
FIG. 9 is a first enlarged perspective bottom view of the fob device; and,
FIG. 10 is a second enlarged perspective bottom view of the fob device.
The dashed broken lines depict portions of the fob device that form no part of the claimed design. The dot-dashed broken lines represent a boundary of the claimed fob device and form no part of the claimed design.

1 Claim, 10 Drawing Sheets



(56)

References Cited

U.S. PATENT DOCUMENTS

D870,119 S * 12/2019 Jun D14/480.7
D870,120 S * 12/2019 Jun D14/480.7
D872,728 S * 1/2020 Matsumoto D14/480.5

* cited by examiner

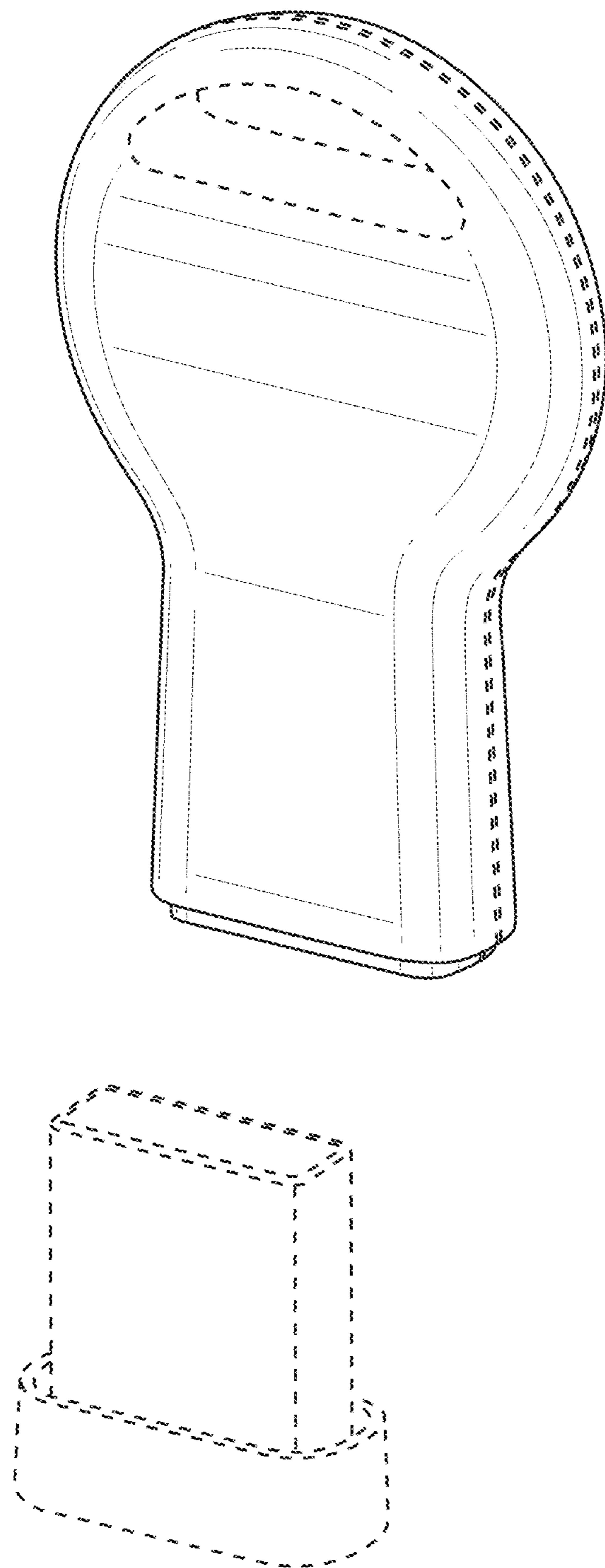


FIG. 1

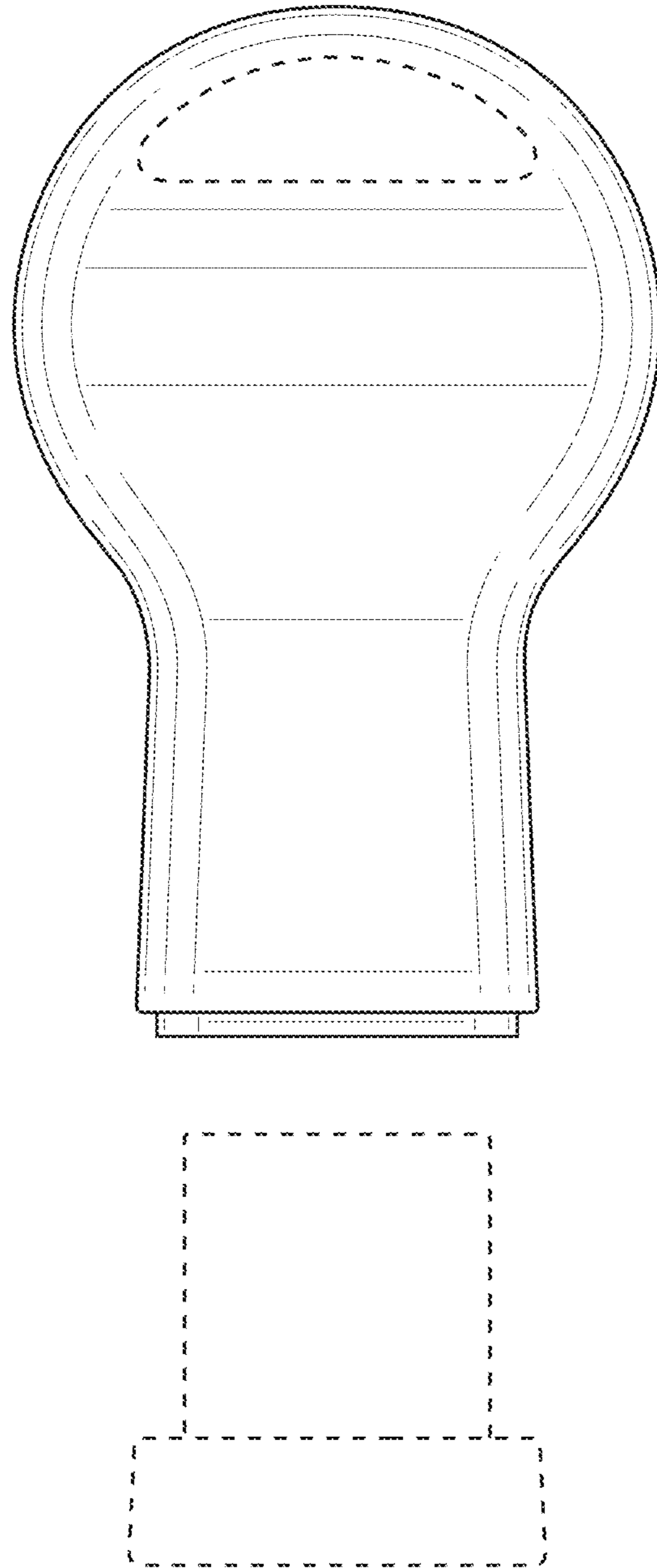


FIG. 2

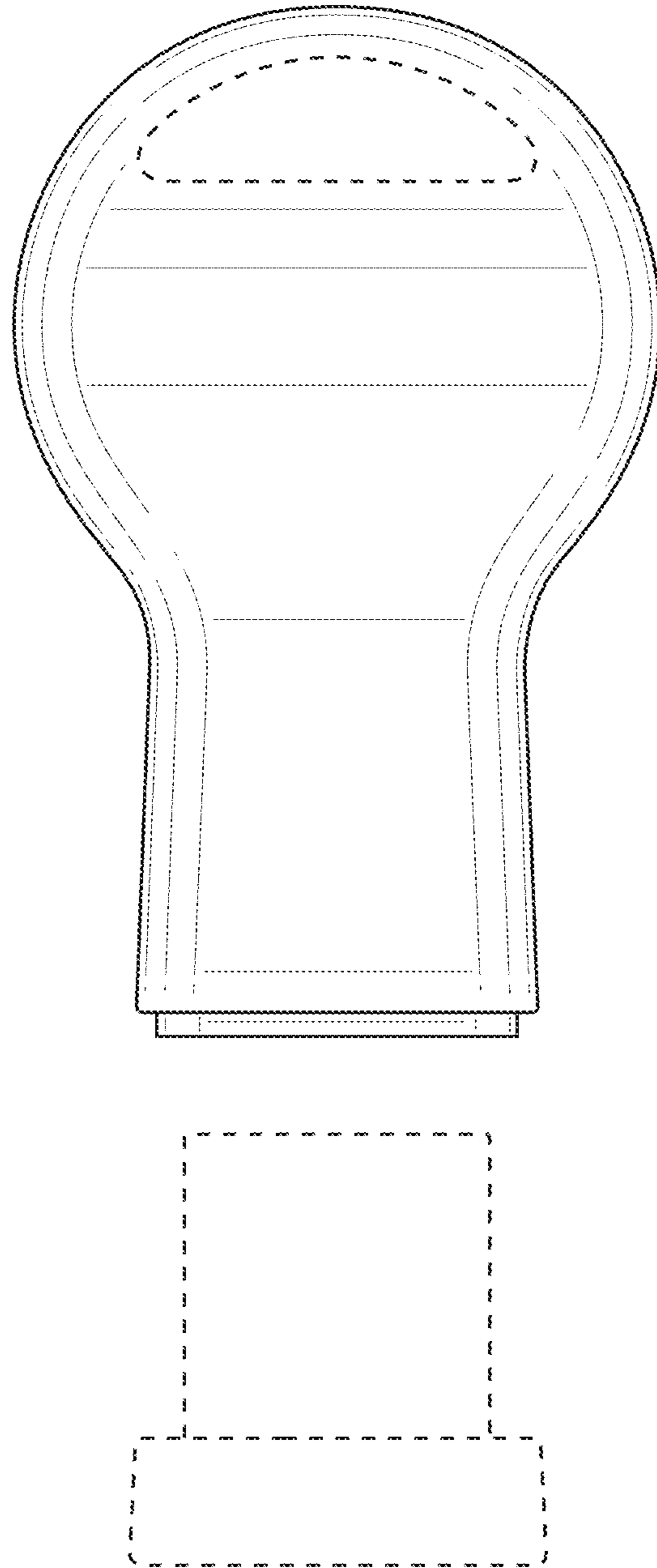


FIG. 3

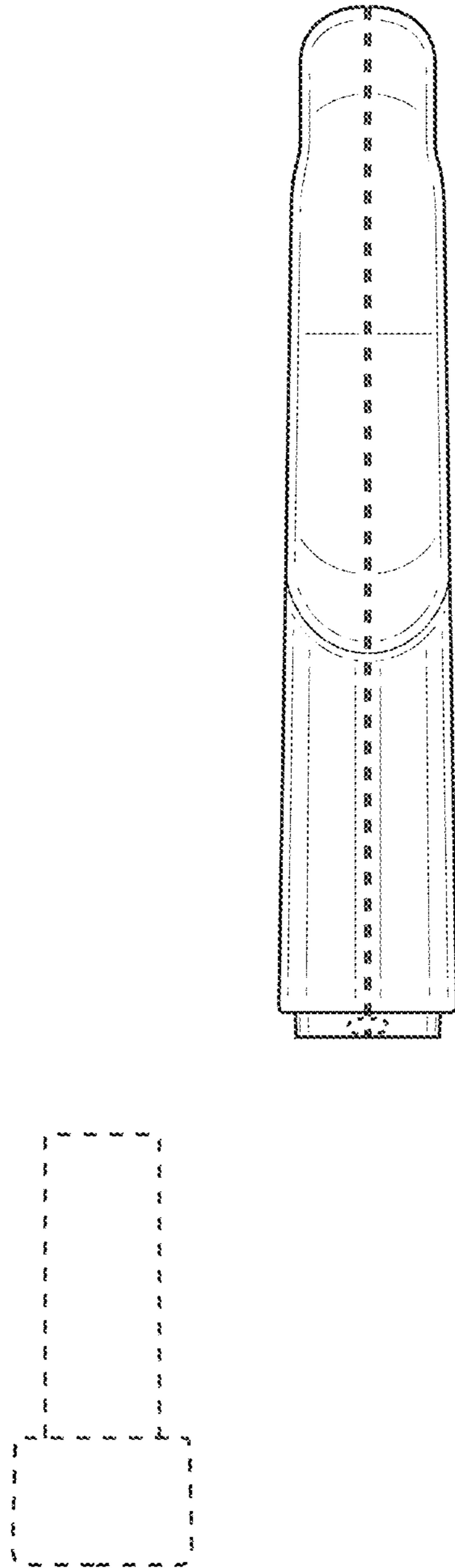


FIG. 4

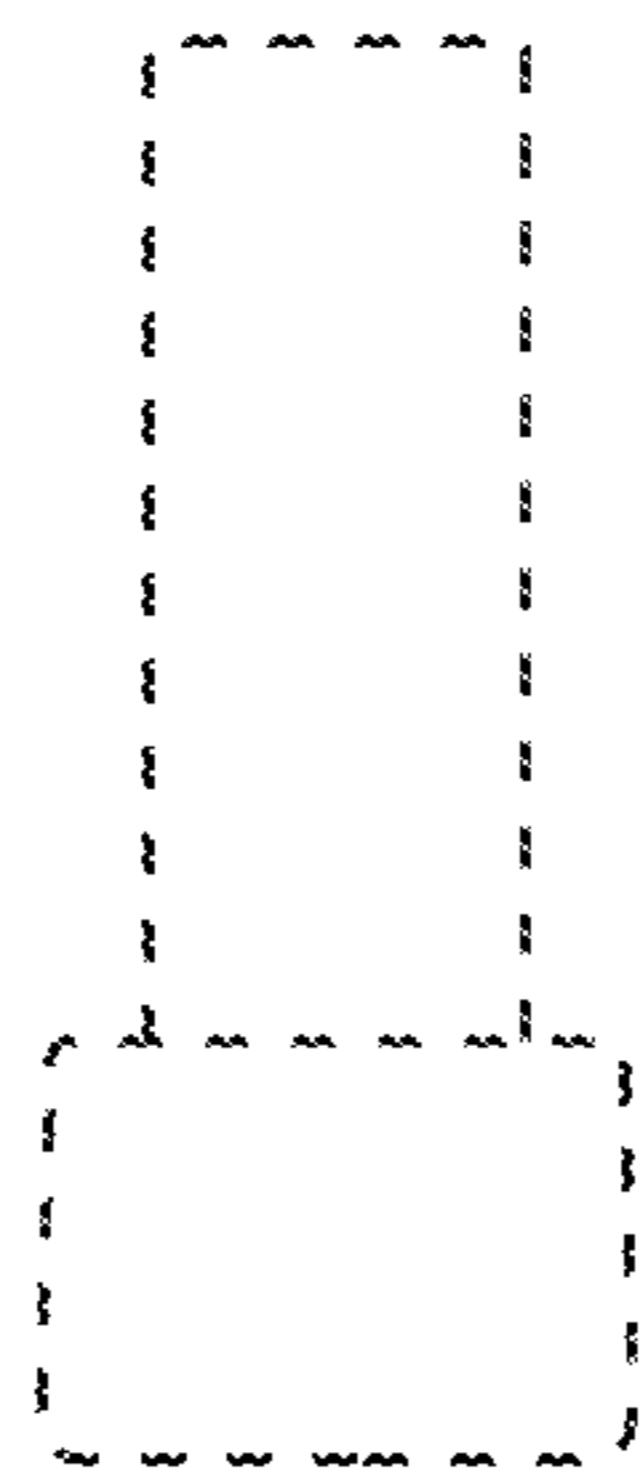
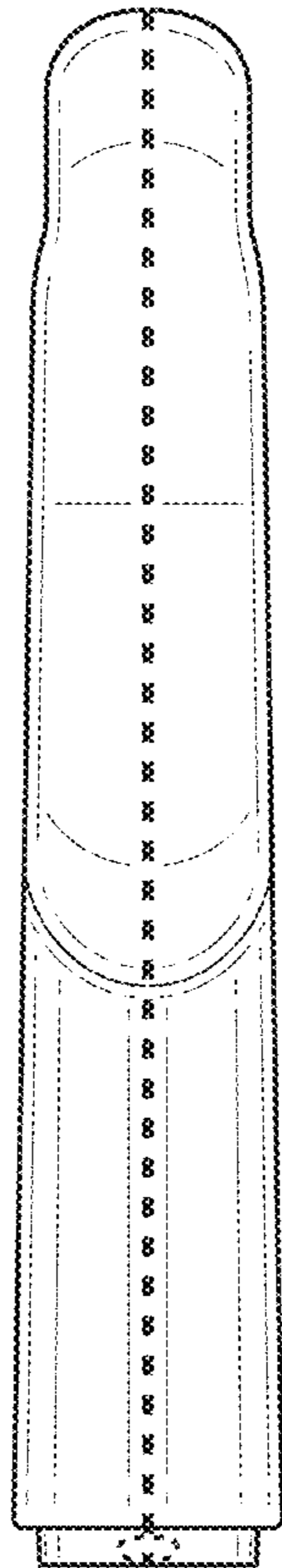


FIG. 5

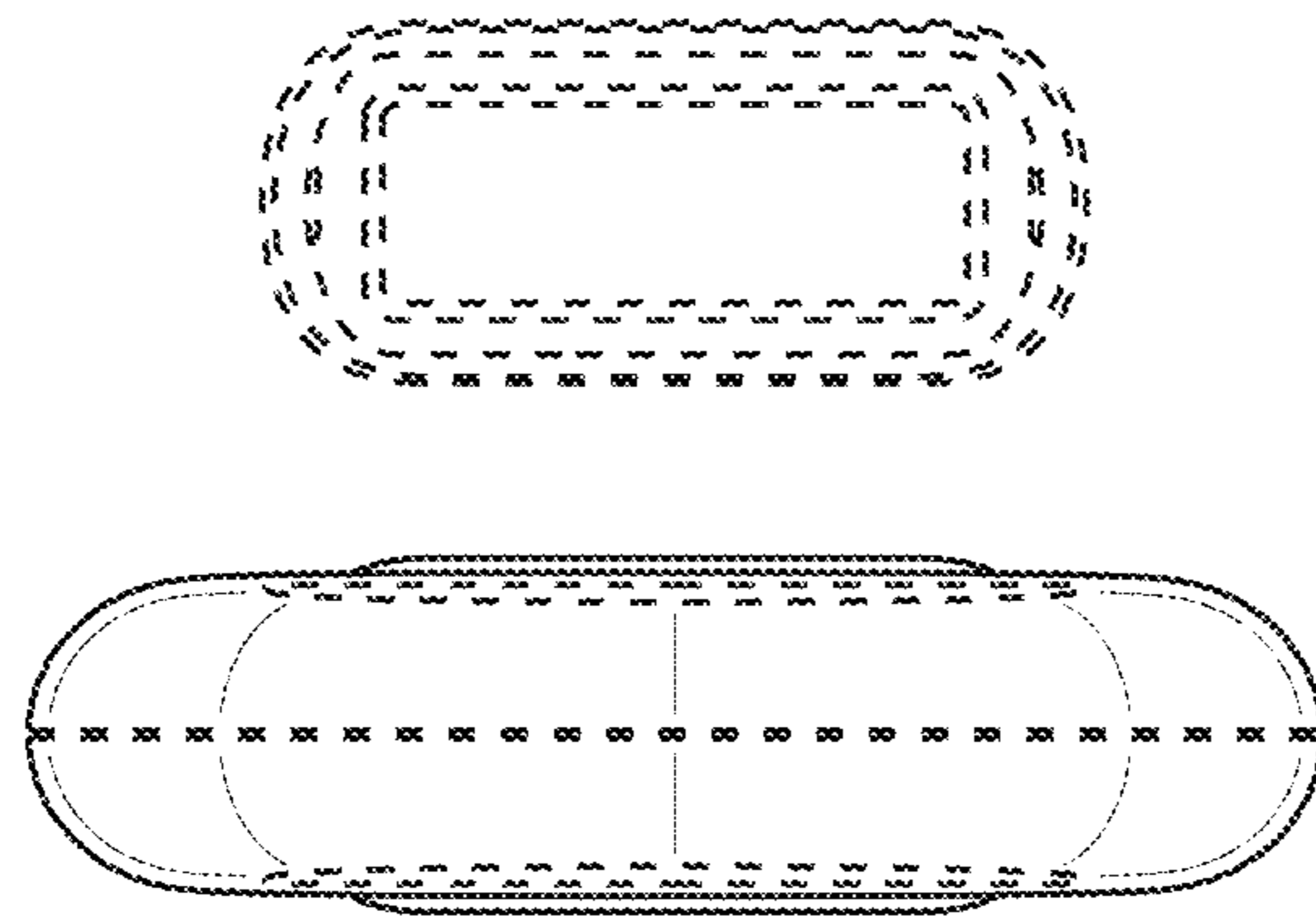


FIG. 6

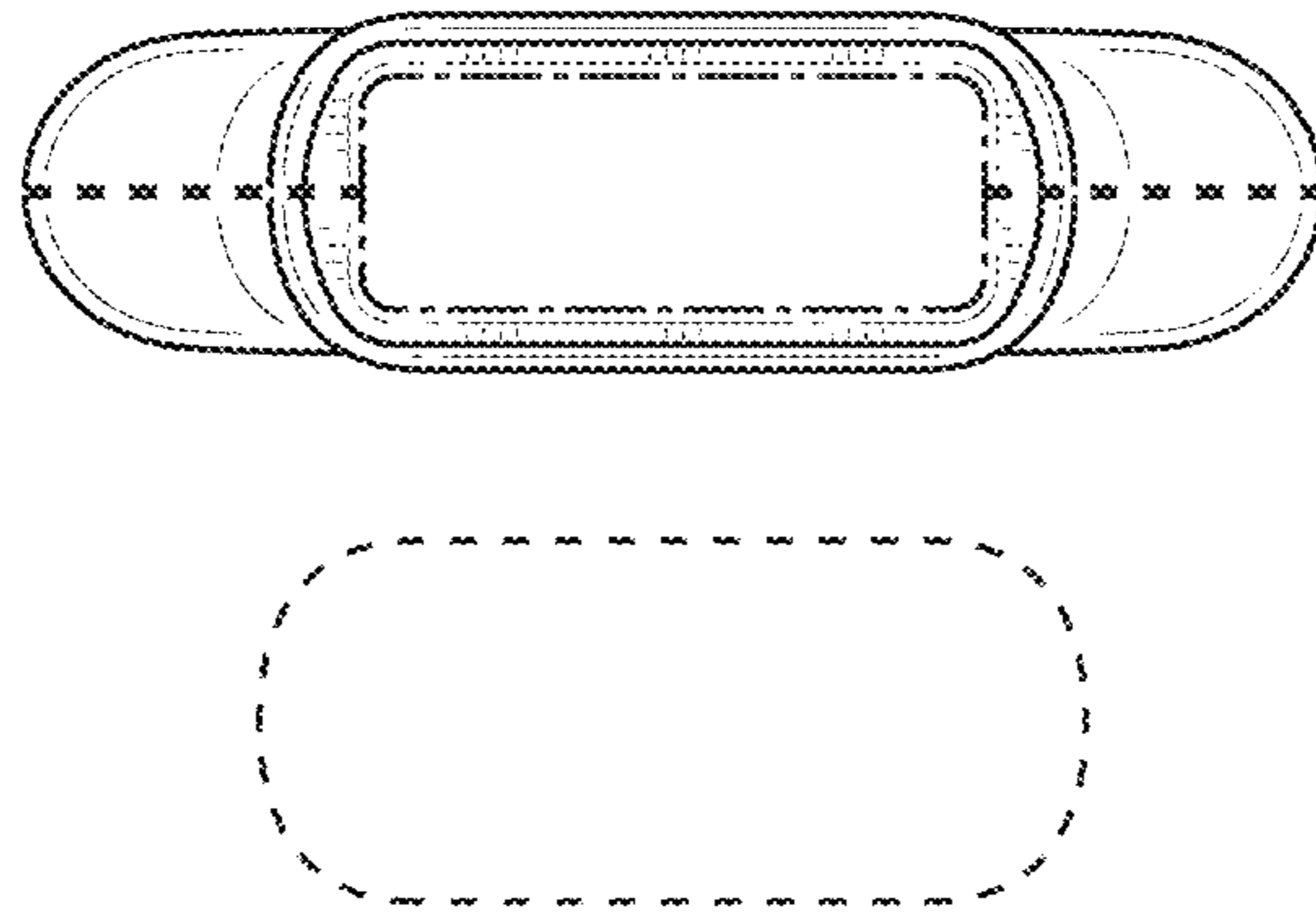


FIG. 7

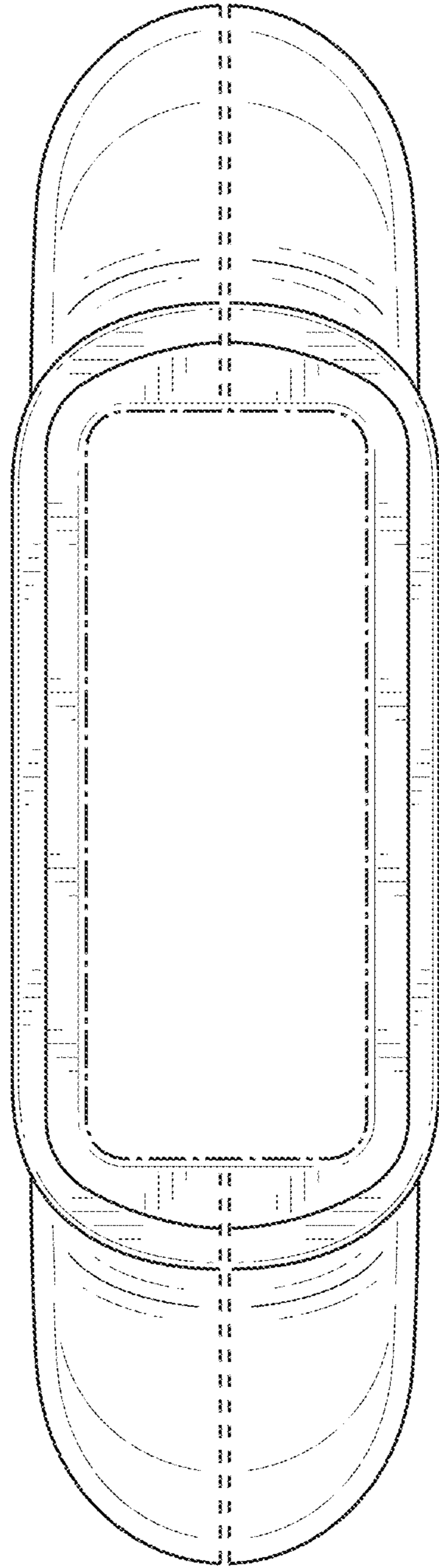


FIG. 8

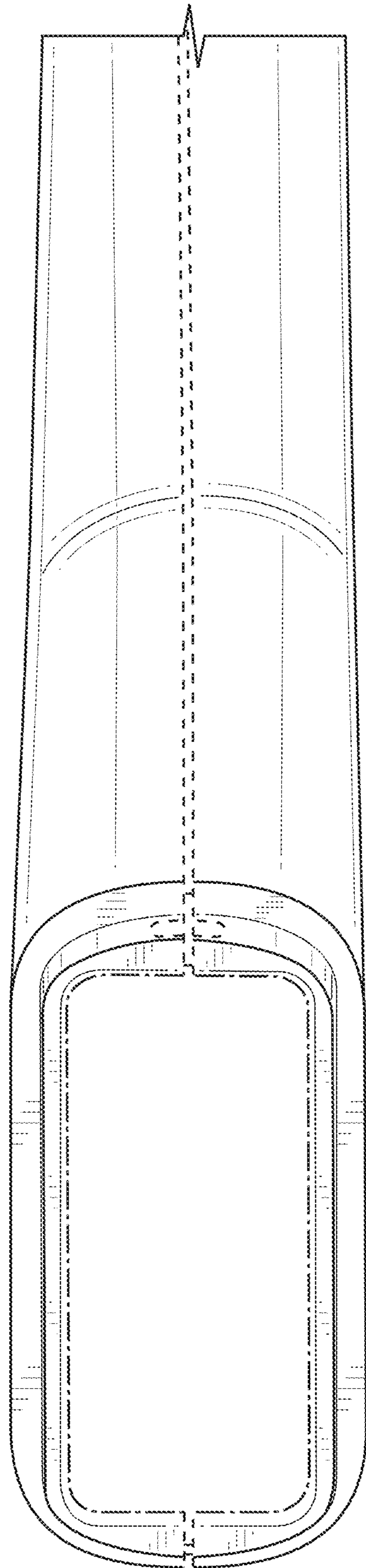


FIG. 9

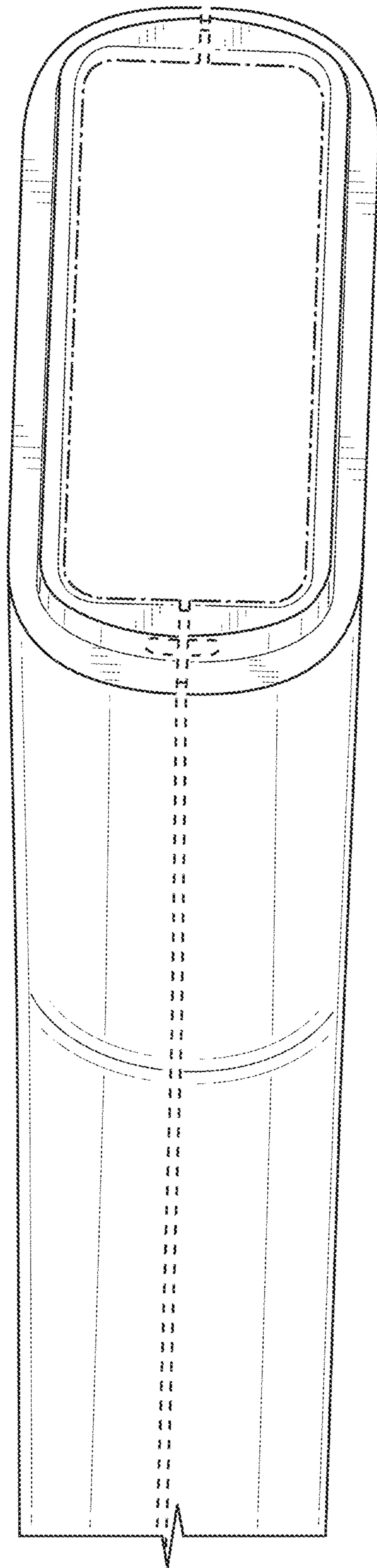


FIG. 10