



US00D894197S

(12) **United States Design Patent**  
**Knapp et al.**

(10) **Patent No.:** **US D894,197 S**

(45) **Date of Patent:** **\*\* Aug. 25, 2020**

- (54) **FREESTANDING DESK STAND**
- (71) Applicant: **CKnapp Sales, Inc.**, Goodfield, IL (US)
- (72) Inventors: **Chance Knapp**, Goodfield, IL (US);  
**Brandon Meyer**, Normal, IL (US)
- (73) Assignee: **CKnapp Sales, Inc.**, Goodfield, IL (US)
- (\*\*) Term: **15 Years**
- (21) Appl. No.: **29/667,556**
- (22) Filed: **Oct. 23, 2018**
- (51) **LOC (12) Cl.** ..... **08-07**
- (52) **U.S. Cl.**  
USPC ..... **D14/452**
- (58) **Field of Classification Search**  
USPC ..... D6/353, 368, 642, 644, 649, 651, 655,  
D6/655.1, 655.11, 655.12, 655.13, 655.14,  
D6/655.15, 655.16, 655.17, 655.18, 655.2,  
D6/655.21, 656, 656.11, 656.13, 656.15,  
D6/656.16, 656.17, 656.19, 657, 663,  
D6/686, 691, 709; D14/446, 447, 451,  
D14/452  
CPC ..... A47B 81/00; A47B 88/00; A47B 88/41;  
A47B 88/42; A47B 2210/16; B62B 3/00;  
B62B 33/00  
See application file for complete search history.

- D568,326 S \* 5/2008 Muday ..... D14/452
- D598,458 S \* 8/2009 Li ..... D14/451
- D629,808 S \* 12/2010 Sapper ..... D14/452
- D649,552 S \* 11/2011 Huang ..... F16M 11/08  
D14/452
- D660,308 S \* 5/2012 Huang ..... D14/452
- D666,205 S \* 8/2012 Li ..... D14/452
- D709,896 S \* 7/2014 McKinstry ..... D14/447
- D787,237 S \* 5/2017 Bowman ..... D6/656.15
- D787,522 S \* 5/2017 Lee ..... D14/451

(Continued)

**OTHER PUBLICATIONS**

VIVO, posted at Amazon.com, posted on Jul. 9, 2018, site visited Feb. 18, 2020. online, available from internet: <https://www.amazon.com/VIVO-Monitor-Freestanding-Adjustable-STAND-V003FG/dp/B07FCWD6TC> (Year: 2018).\*

(Continued)

*Primary Examiner* — Mary Ann Calabrese  
*Assistant Examiner* — Catherine Ho  
(74) *Attorney, Agent, or Firm* — Marshall, Gerstein & Borun LLP

(57) **CLAIM**

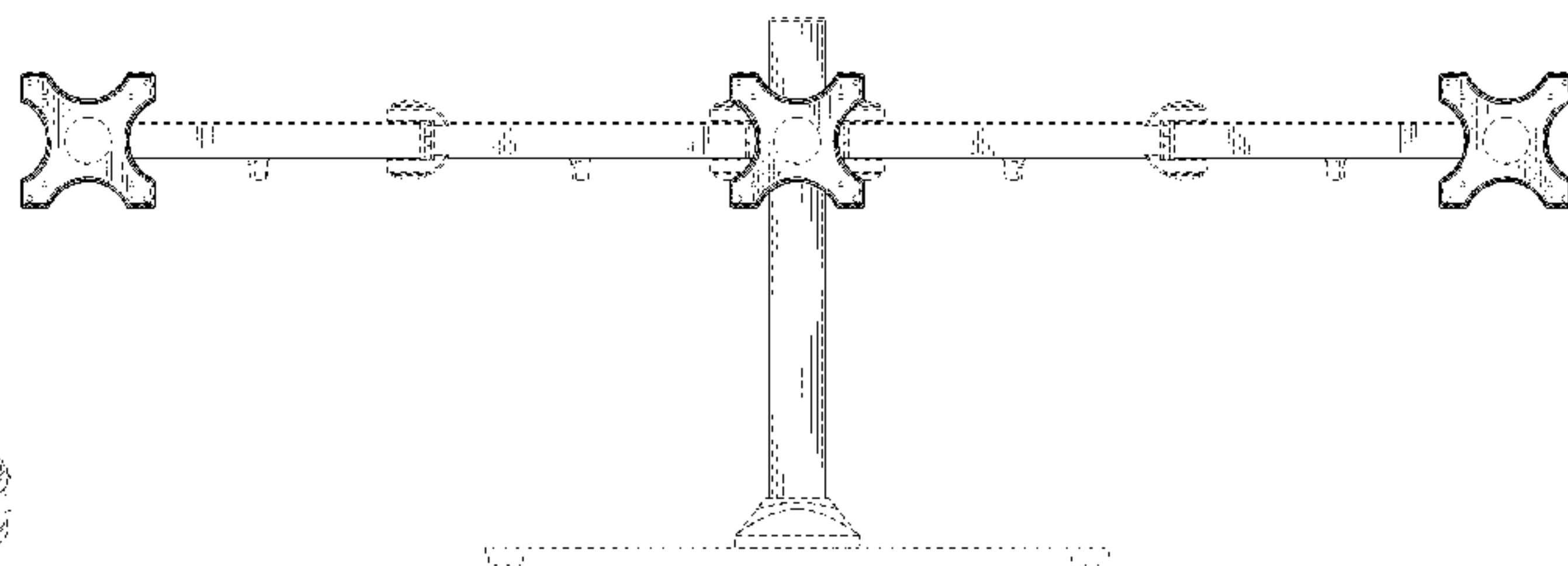
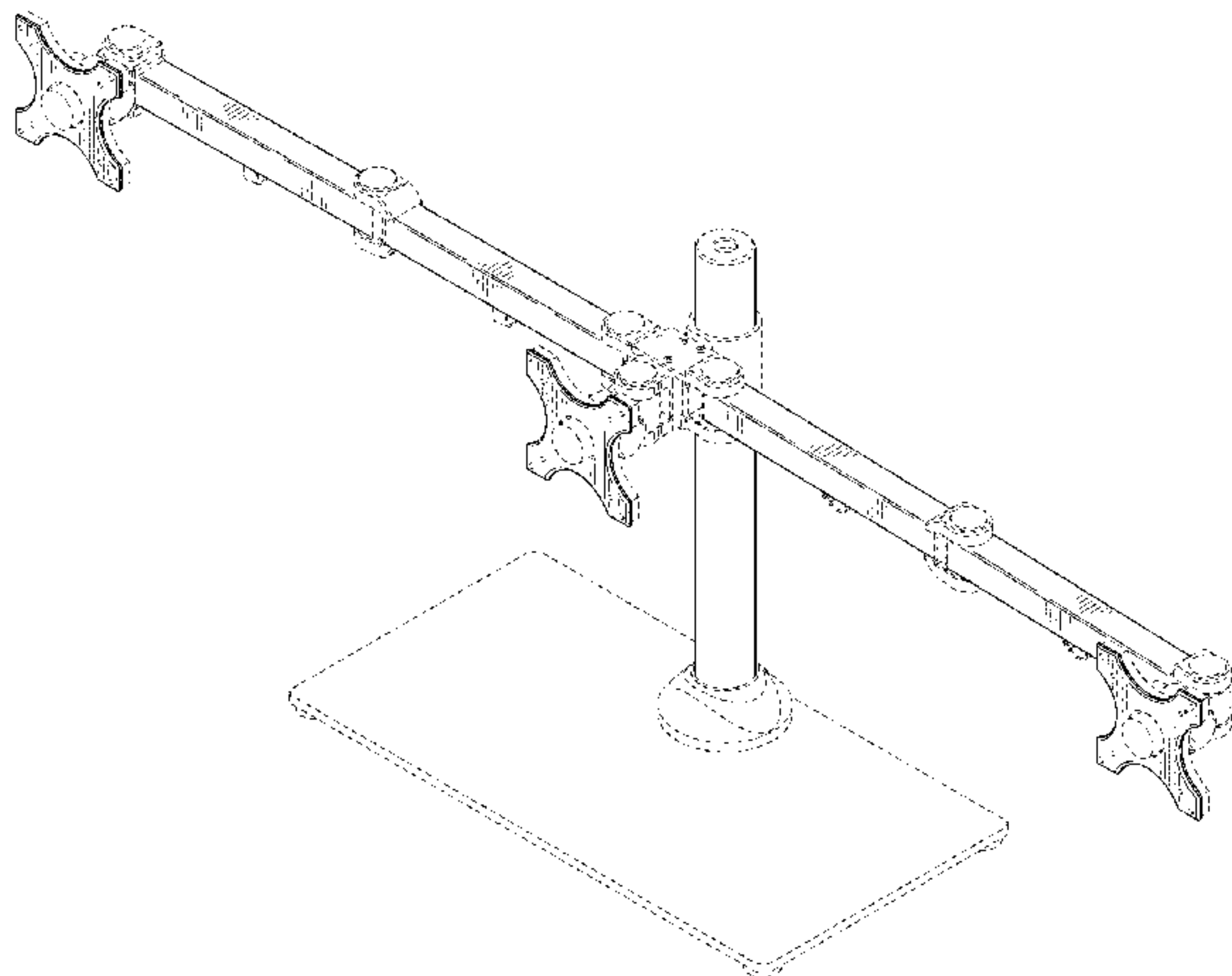
The ornamental design for a freestanding desk stand, as shown and described.

**DESCRIPTION**

FIG. 1 is a perspective view of a freestanding desk stand, showing our new design;  
FIG. 2 is a front view thereof;  
FIG. 3 is a rear view thereof;  
FIG. 4 is a left-side view thereof;  
FIG. 5 is a right-side view thereof;  
FIG. 6 is a top view thereof; and,  
FIG. 7 is a bottom view thereof.

The broken line portion of the figure drawings is included to show environment that forms no part of the claimed design.

**1 Claim, 5 Drawing Sheets**



(56)

**References Cited**

U.S. PATENT DOCUMENTS

D791,776	S	*	7/2017	Monsalve	.....	D14/447
D805,523	S	*	12/2017	Bowman	.....	D14/452
D812,066	S	*	3/2018	Lazzi	.....	D14/447
D822,669	S	*	7/2018	Kwon	.....	D14/451
D822,671	S	*	7/2018	Chu	.....	D14/452
D829,023	S	*	9/2018	Gu	.....	D6/656.15
D837,223	S	*	1/2019	Wu	.....	D14/451
D841,014	S	*	2/2019	Laudadio	.....	D14/447
D847,823	S	*	5/2019	Monsalve	.....	D14/452
D852,805	S	*	7/2019	Lyu	.....	D14/452
D853,403	S	*	7/2019	Lyu	.....	D14/451
D853,404	S	*	7/2019	Bowman	.....	D14/452
D854,861	S	*	7/2019	Lee	.....	D6/656
10,357,103	B2	*	7/2019	Guzman	.....	A47B 13/12
D862,936	S	*	10/2019	Laudadio	.....	D6/656.15
D866,537	S	*	11/2019	Knapp	.....	D14/239
D872,067	S	*	1/2020	Knapp	.....	D14/239
D872,719	S	*	1/2020	Knapp	.....	D14/239

OTHER PUBLICATIONS

STAND-V003F, posted at Youtube.com, posted on Apr. 16, 2015, site visited Feb. 18, 2020. online, available from internet: <https://www.youtube.com/watch?v=bxMmX3qaDb4> (Year: 2015).\*

\* cited by examiner

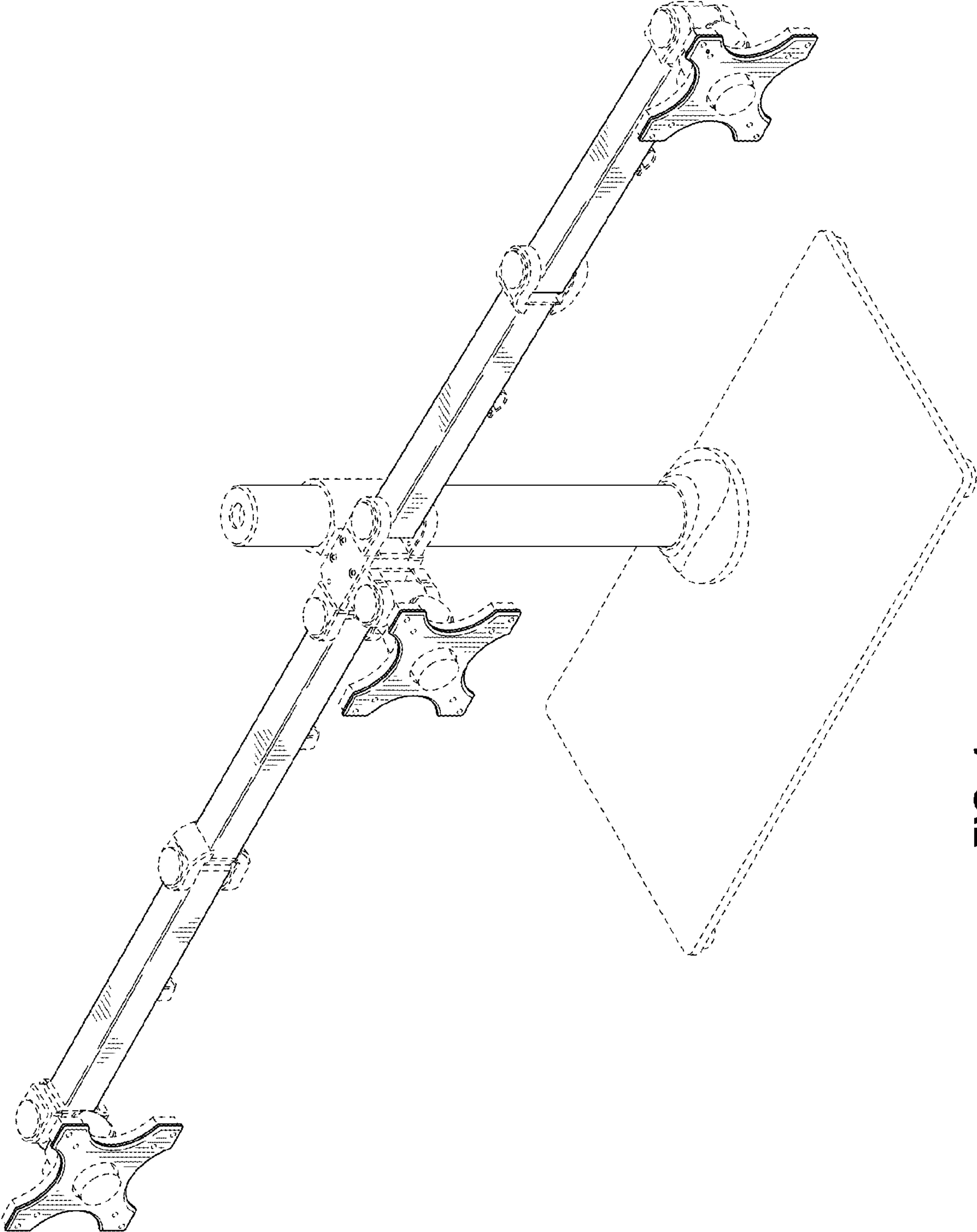


FIG. 1

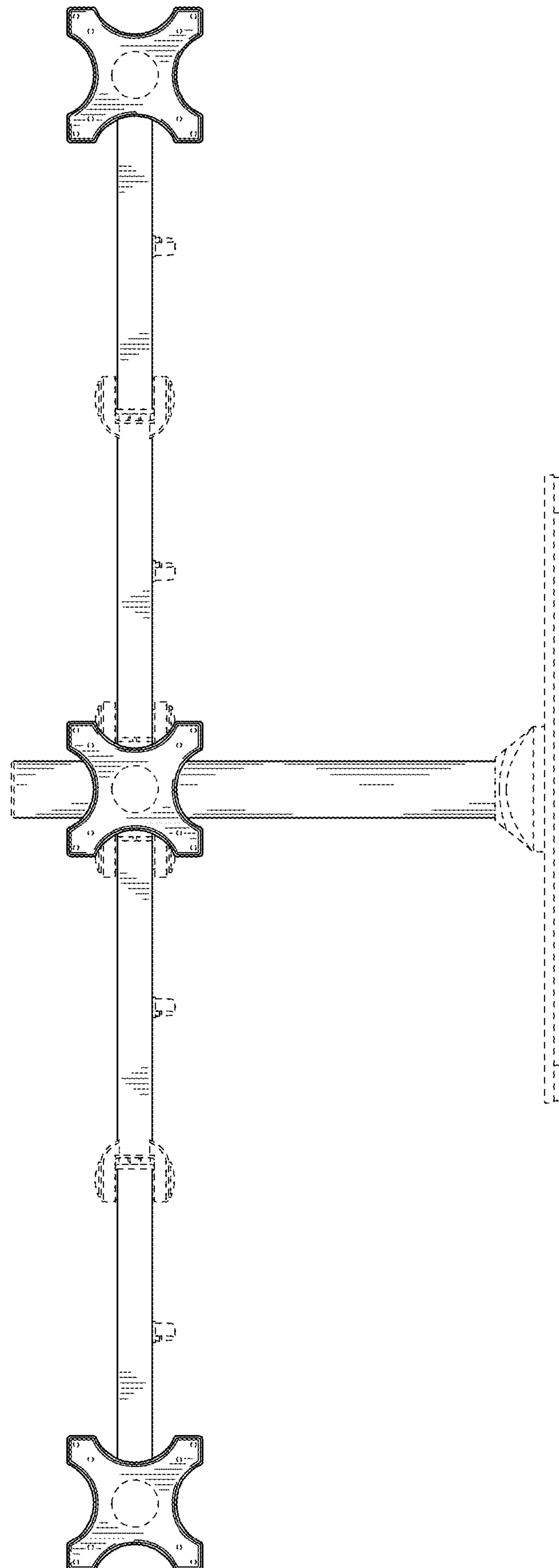


FIG. 2

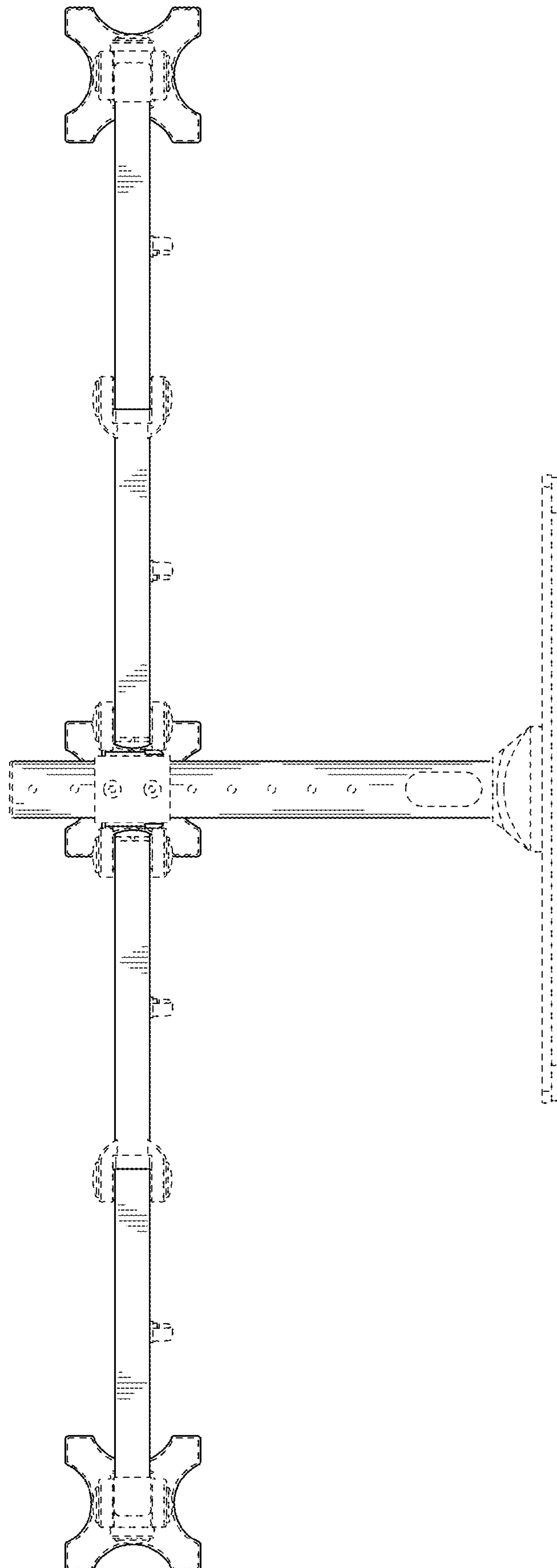


FIG. 3

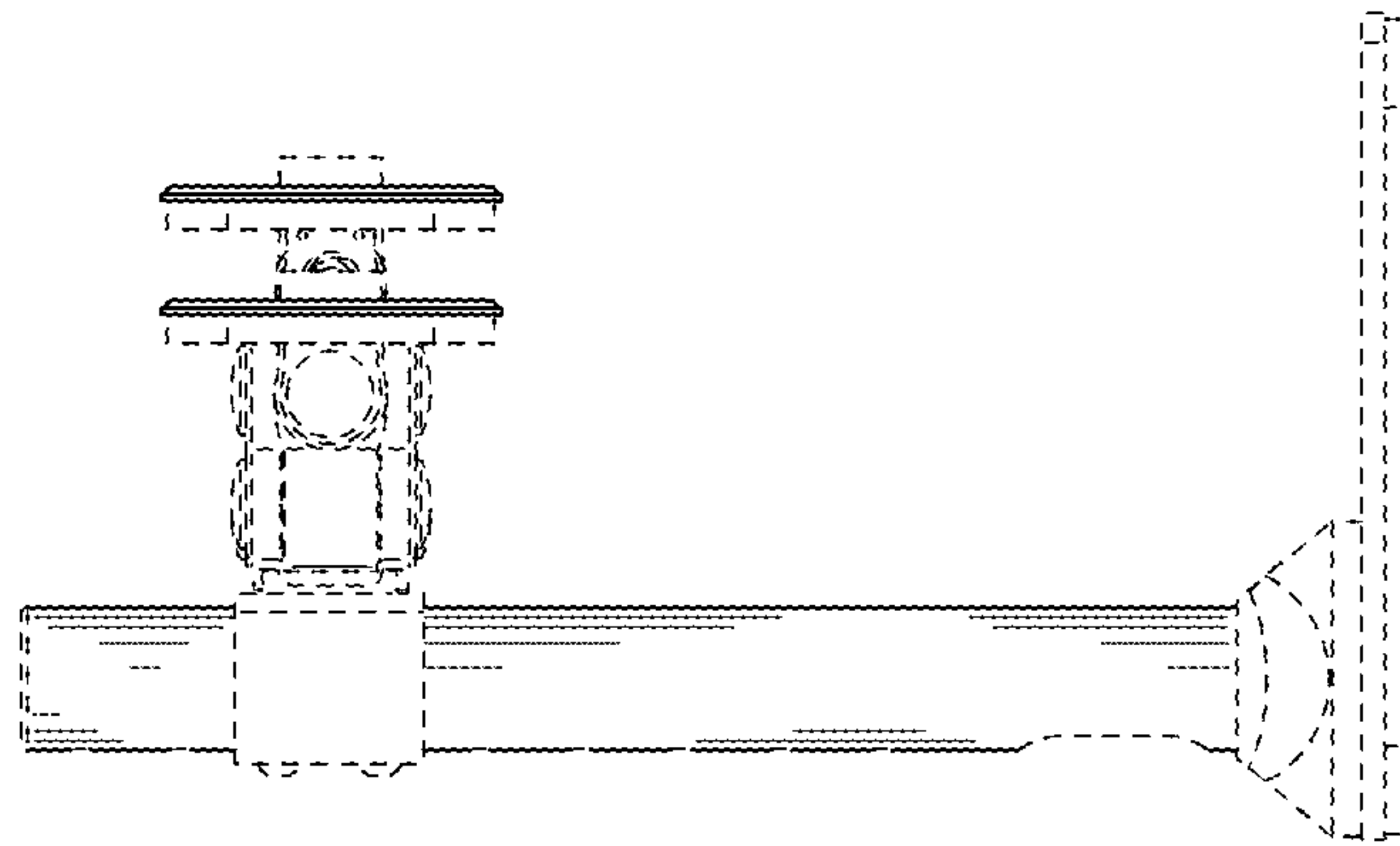


FIG. 5

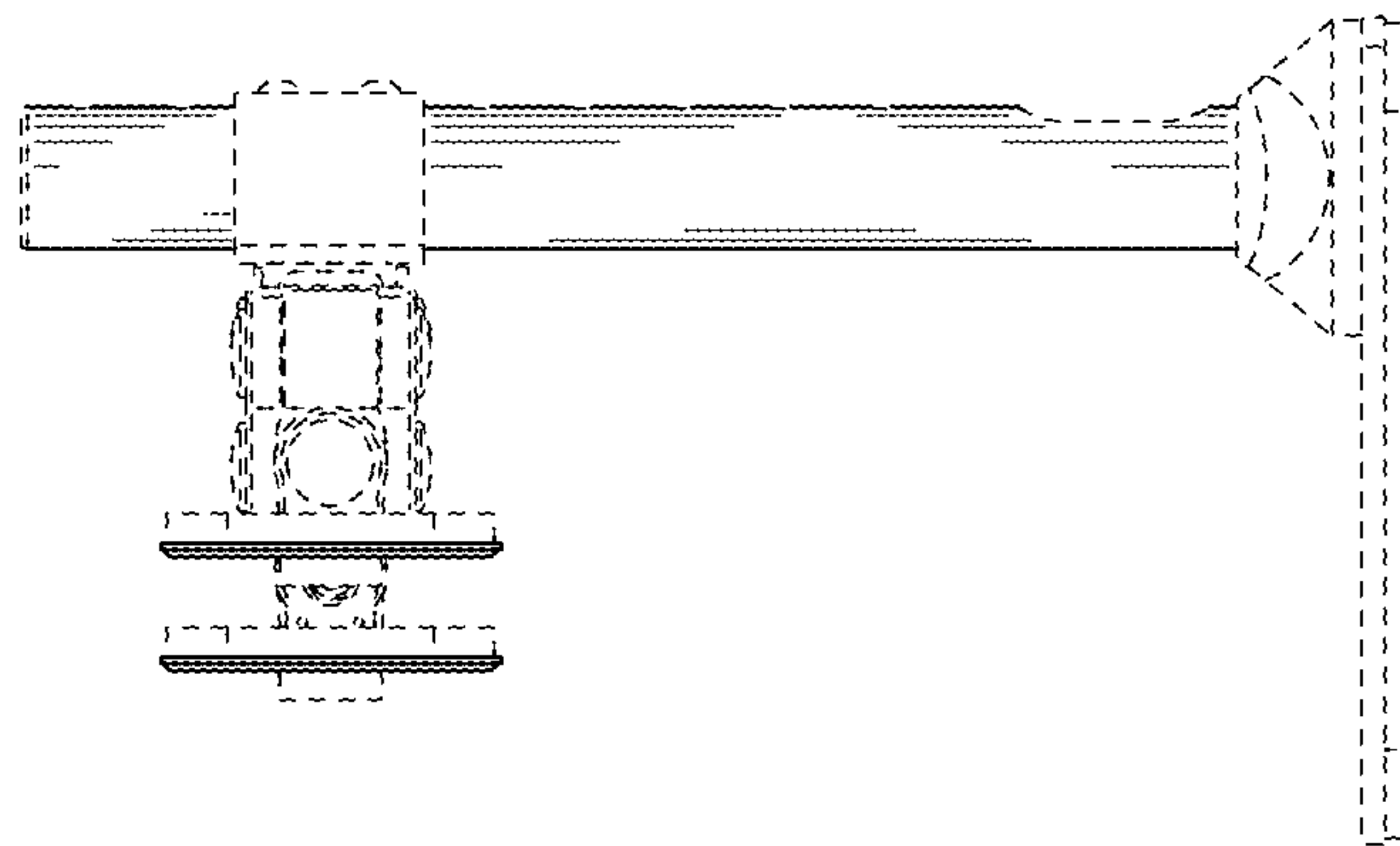


FIG. 4



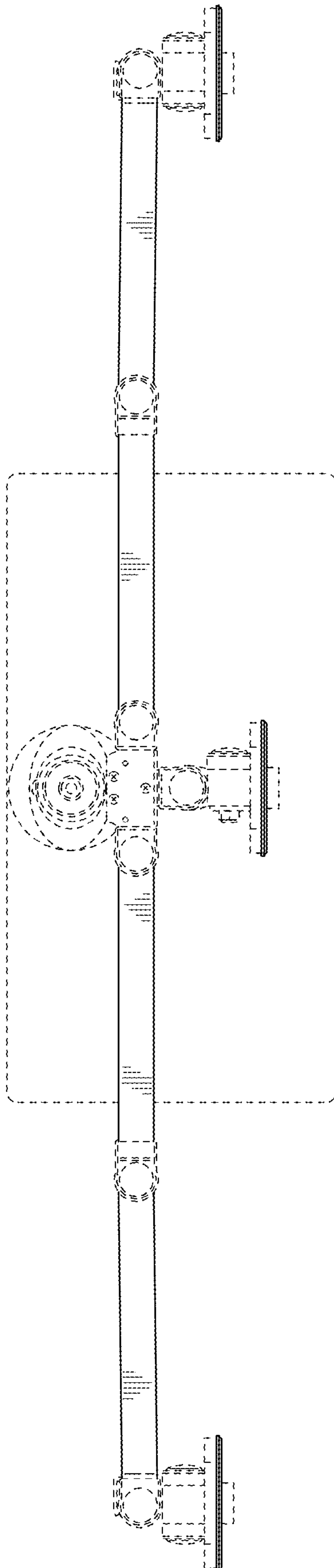


FIG. 6

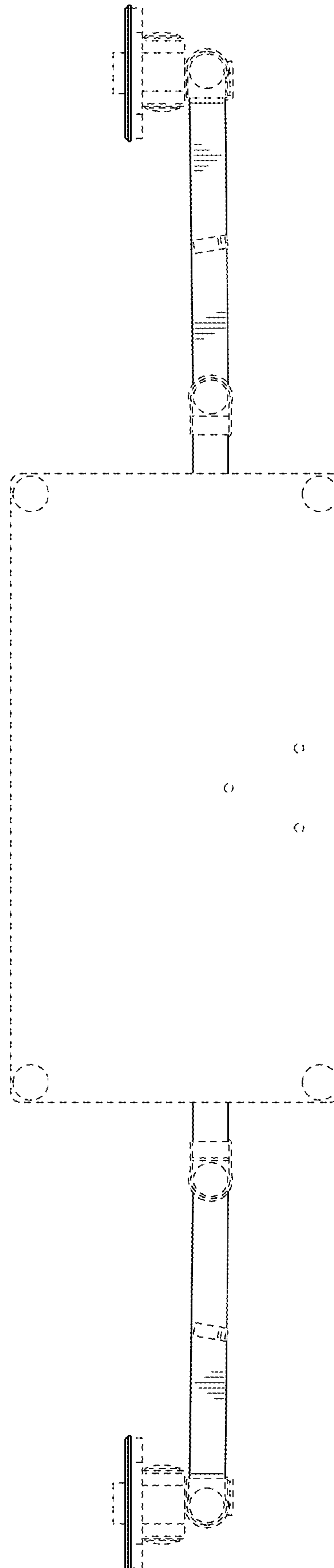


FIG. 7