



US00D894196S

(12) **United States Design Patent** (10) **Patent No.:** **US D894,196 S**  
**Wu et al.** (45) **Date of Patent:** **\*\* Aug. 25, 2020**

(54) **DISPLAY STAND**

(71) Applicant: **Dell Products L.P.**, Round Rock, TX (US)  
(72) Inventors: **Tung Chen Wu**, Singapore (SG); **Chun Long Goh**, Singapore (SG); **Alvin Sitoh**, Singapore (SG); **Dongchul Kang**, Austin, TX (US)  
(73) Assignee: **Dell Products L.P.**, Round Rock, TX (US)  
(\*\*) Term: **15 Years**

(21) Appl. No.: **29/693,071**  
(22) Filed: **May 30, 2019**  
(51) **LOC (12) Cl.** ..... **14-02**  
(52) **U.S. Cl.**  
USPC ..... **D14/451**

(58) **Field of Classification Search**  
USPC ..... D14/371-382, 125-129, 335-337, D14/447-452, 492, 239, 457, 439-441, D14/432, 251-253; D8/349, 354, 363, D8/373, 376, 380; 348/180, 184, 325, 348/739, 825; D12/407, 415; D3/218; 341/12  
CPC ..... G06F 3/0412; G06F 3/016; G06F 3/0488; G06F 3/011; G06F 3/038; G06F 3/03543; G06F 3/0338; G06F 3/0202; G06F 3/0219; G06F 3/0213; G06F 1/1616; G06F 3/023; G06F 3/04883; G02F 1/13338; G02F 1/1313; G02F 1/1333; G02F 1/135; G02F 1/132; G02F 1/133308; G02F 1/134309; G02F 1/13718; G09G 3/3648; G06K 15/1252; G03F 7/70291; F16M 13/02;  
(Continued)

(56) **References Cited**

**U.S. PATENT DOCUMENTS**

D295,415 S \* 4/1988 Thies ..... D14/452  
D491,952 S \* 6/2004 Oddsen ..... D14/447  
(Continued)

**OTHER PUBLICATIONS**

Hewlett Packard, "HP Z27 27-inch 4K UHD Display," downloaded from <https://store.hp.com/us/en/pdp/hp-z27-27-inch-4k-uhd-display> on Nov. 8, 2019, 4 pages.

(Continued)

*Primary Examiner* — Katie Jane Stofko

(74) *Attorney, Agent, or Firm* — Zagorin Cave LLP;  
Robert W. Holland

(57) **CLAIM**

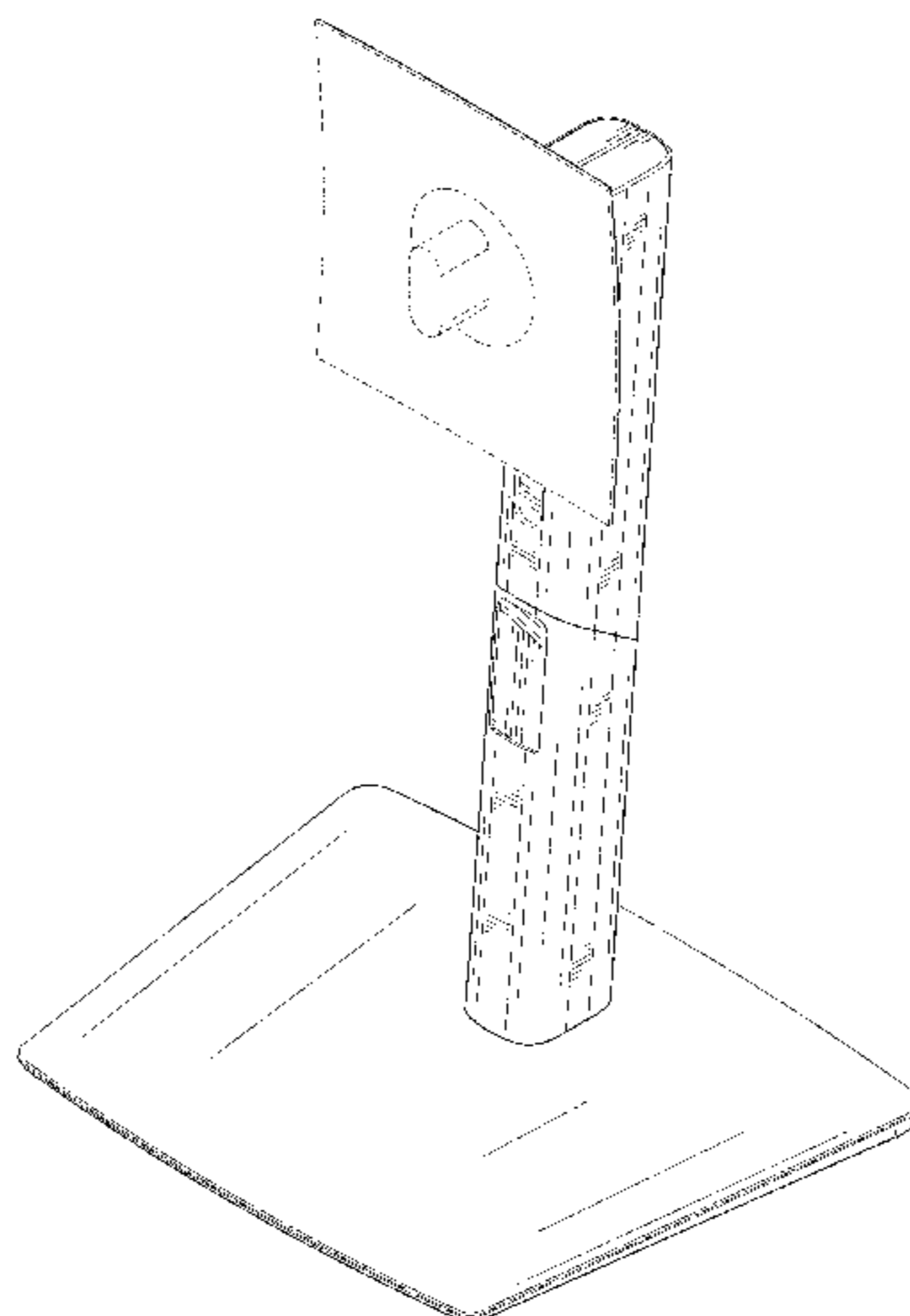
We claim the ornamental design for a display stand, as shown and described.

**DESCRIPTION**

FIG. 1 is a front perspective view of a display stand showing our new design;  
FIG. 2 is a front elevation view thereof;  
FIG. 3 is a rear elevation view thereof;  
FIG. 4 is a right side view thereof;  
FIG. 5 is a left side view thereof;  
FIG. 6 is a top view thereof; and  
FIG. 7 is a bottom view thereof;  
FIG. 8 is a rear environmental perspective view thereof supporting a display in a middle height position;  
FIG. 9 is a rear environmental perspective view thereof supporting a display in an upper height position; and,  
FIG. 10 is a rear environmental perspective view thereof supporting a display in a low height position.

The broken lines shown in FIGS. 1-7 illustrate portions of the display stand that form no part of the claimed design.

(Continued)





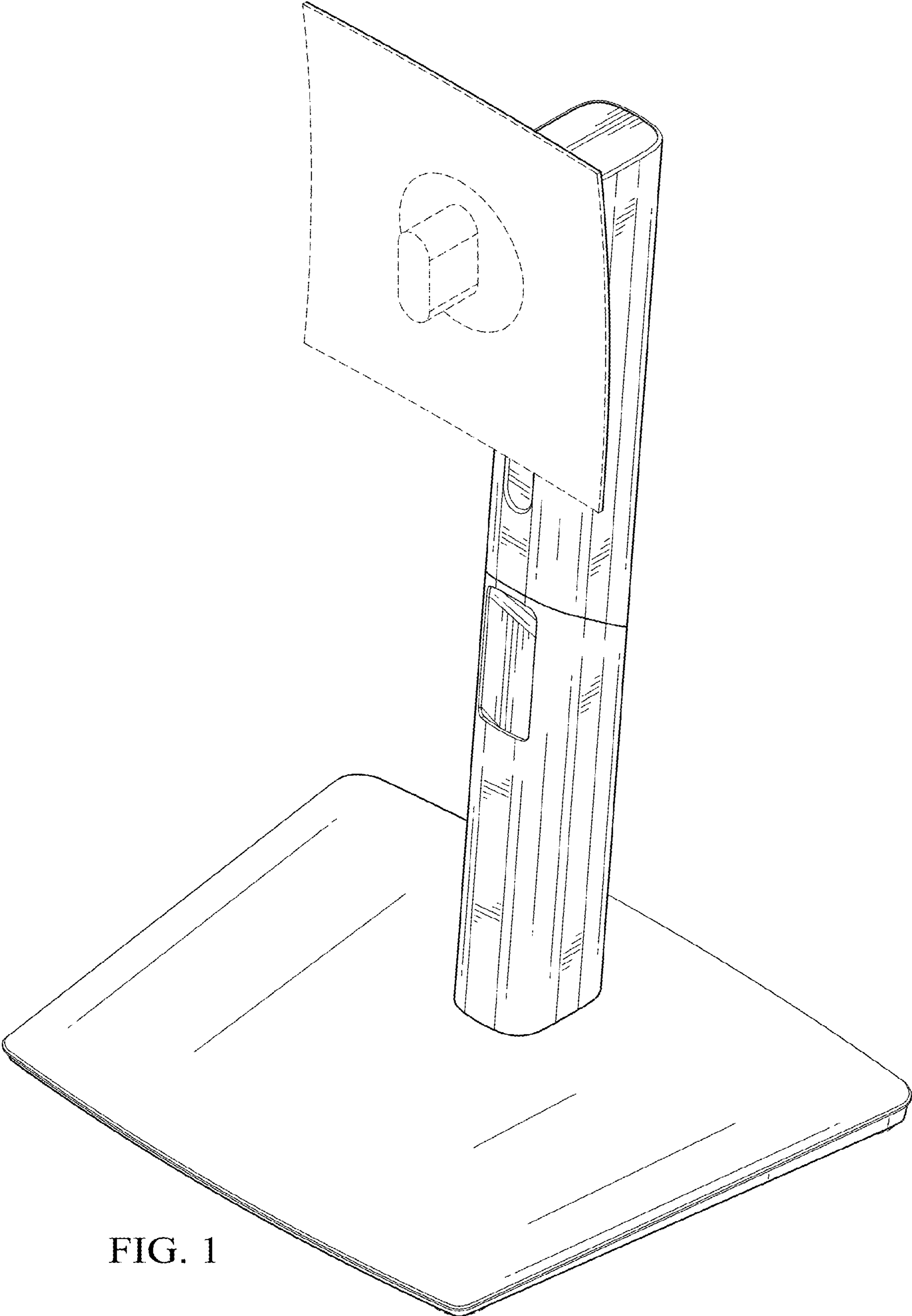


FIG. 1

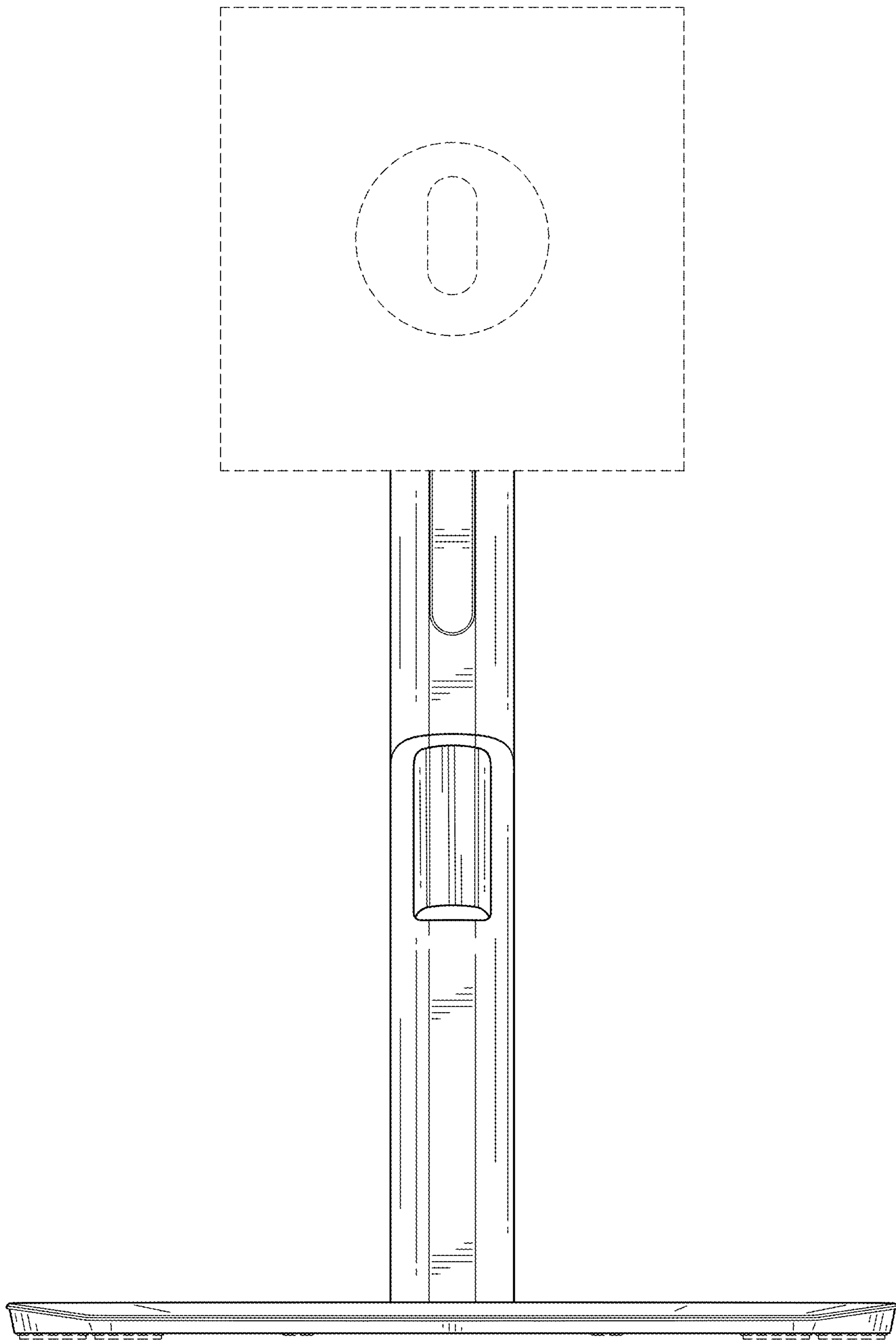


FIG. 2

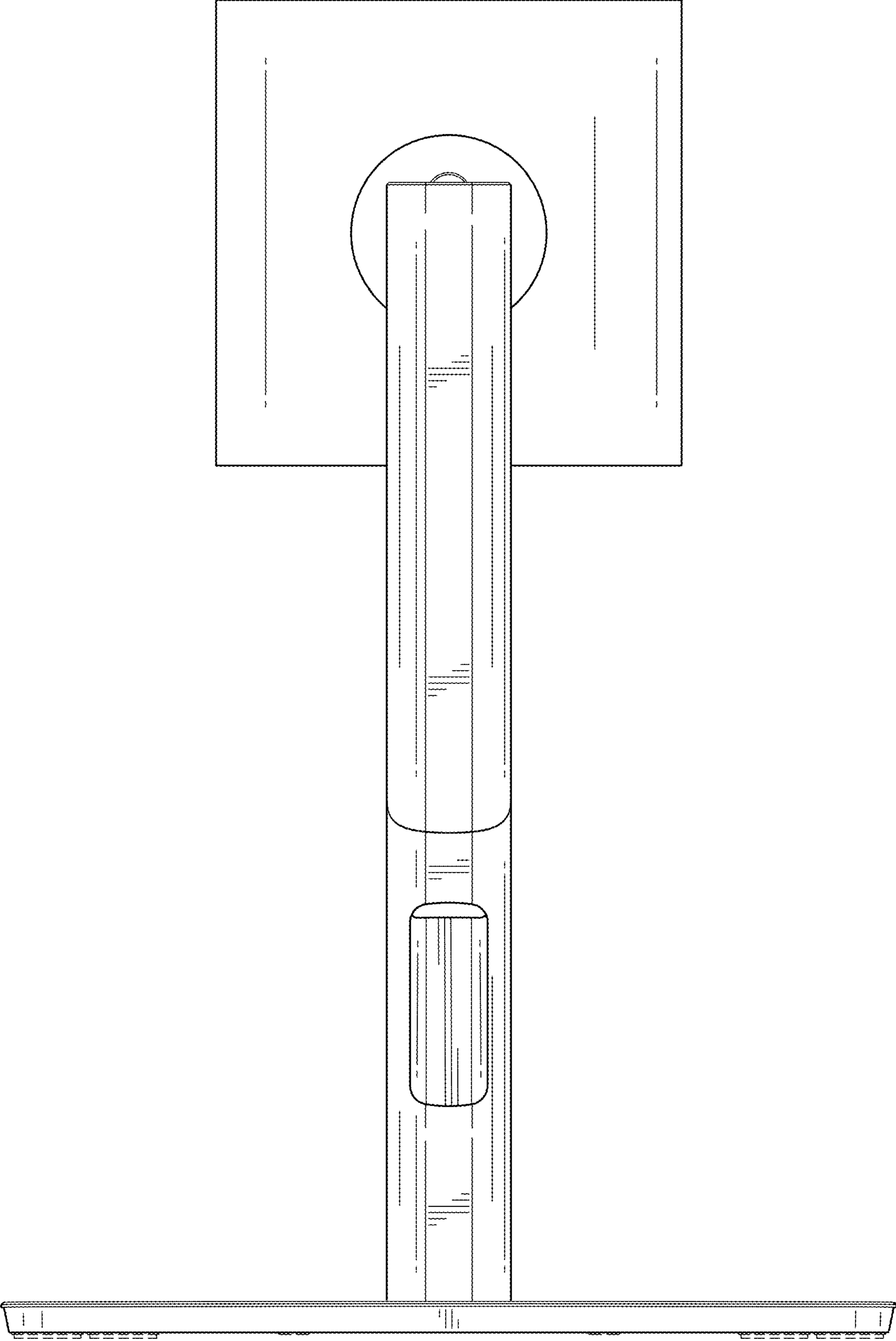


FIG. 3



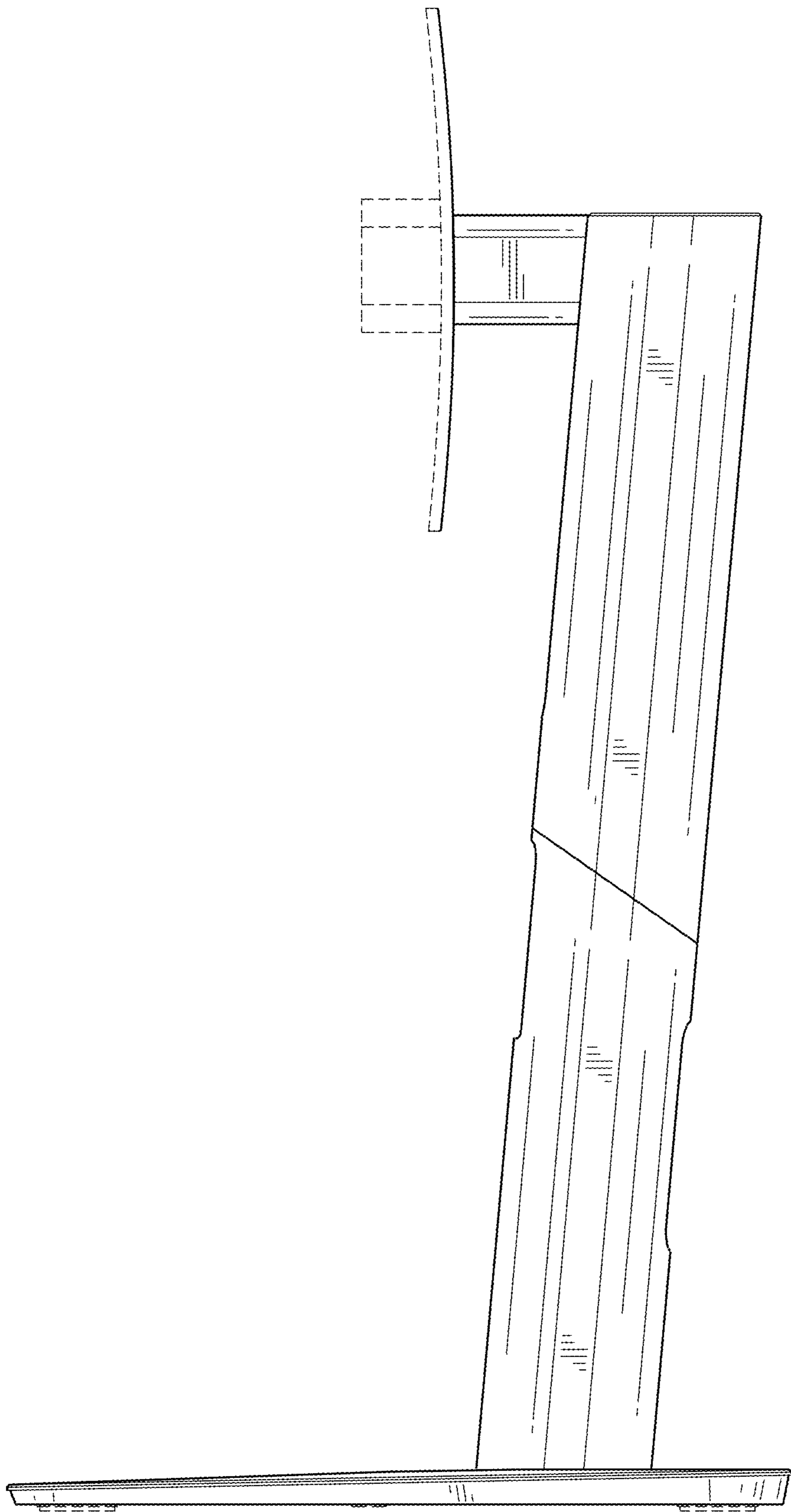


FIG. 4

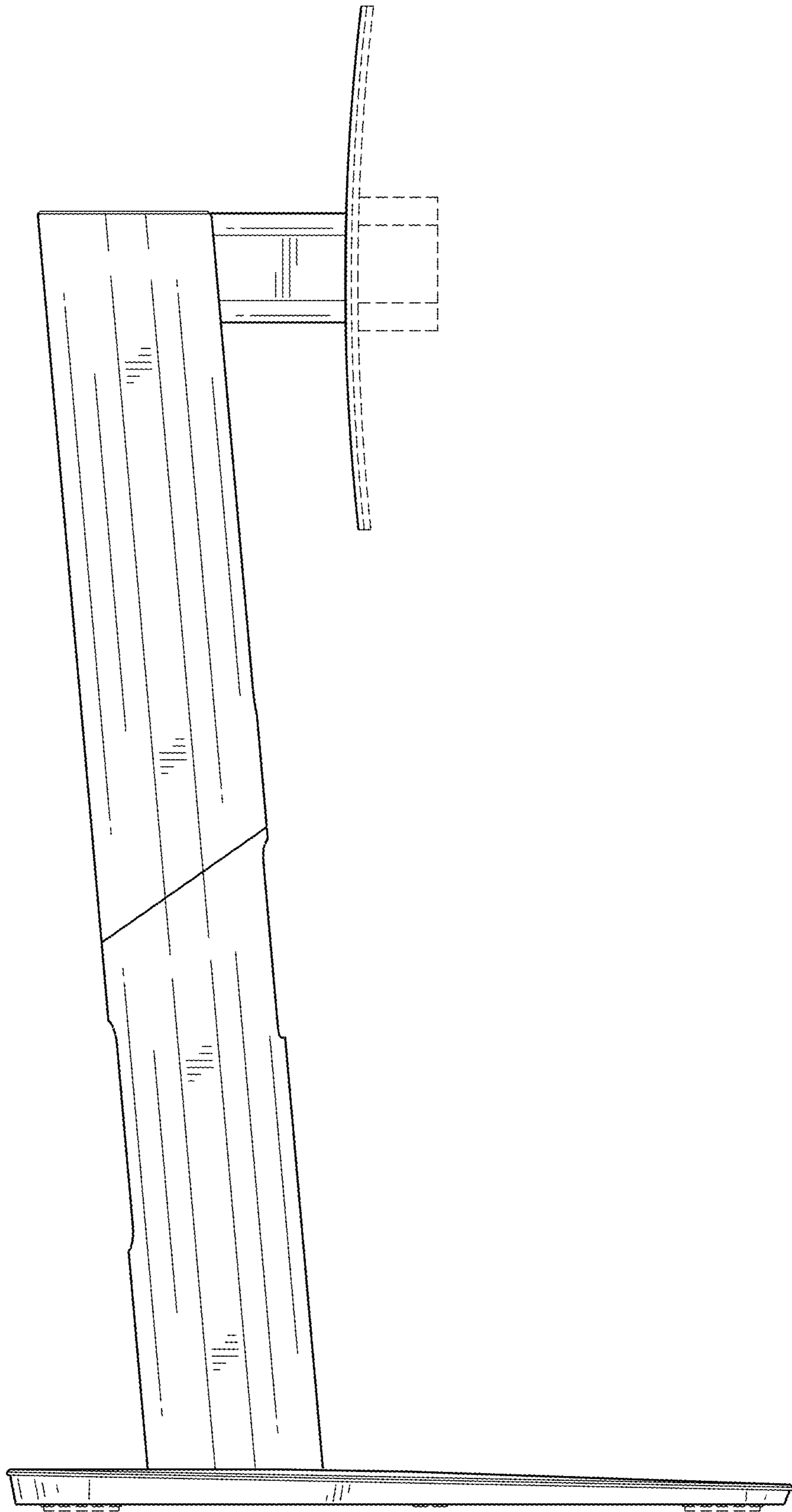


FIG. 5

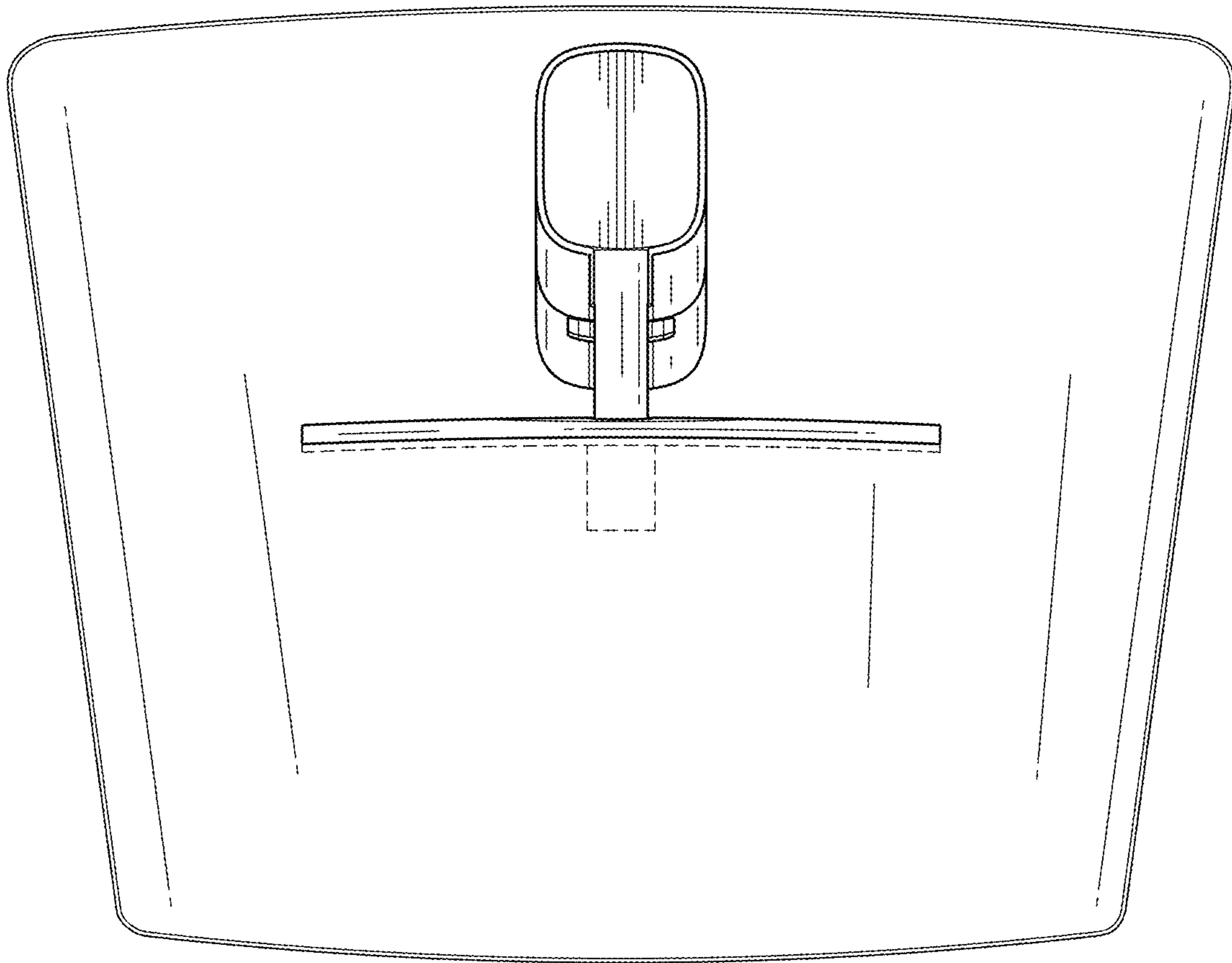


FIG. 6



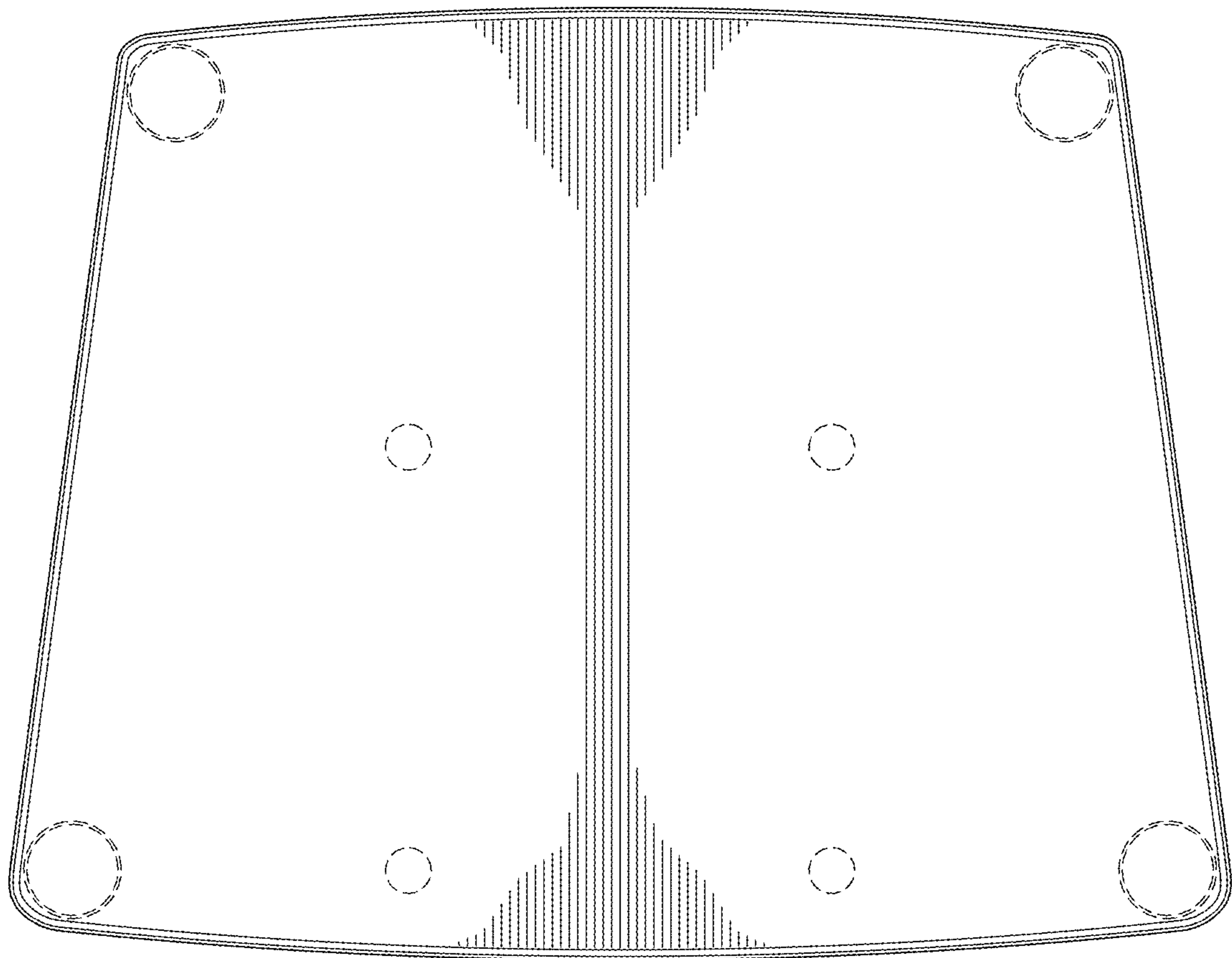


FIG. 7

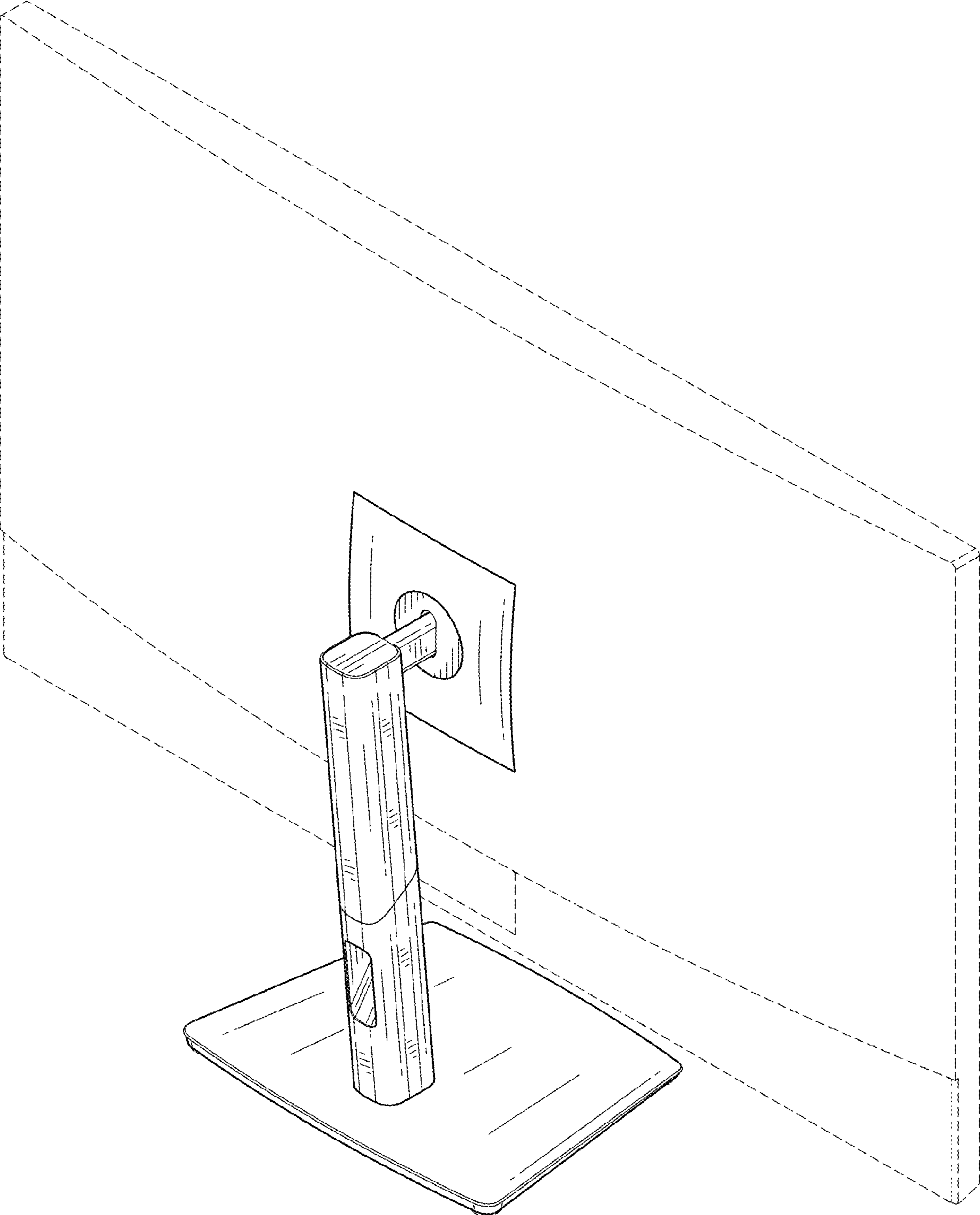


FIG. 8

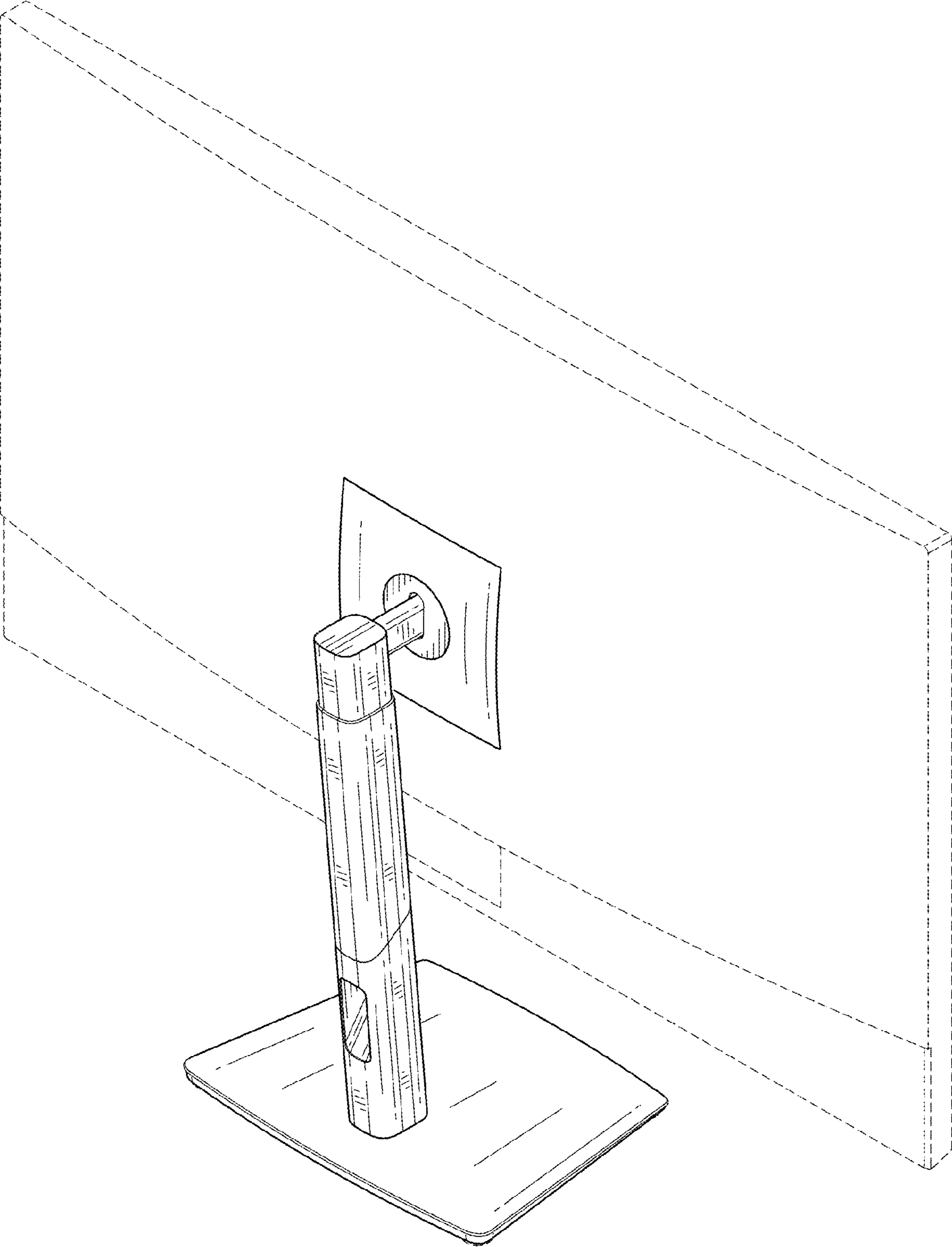


FIG. 9

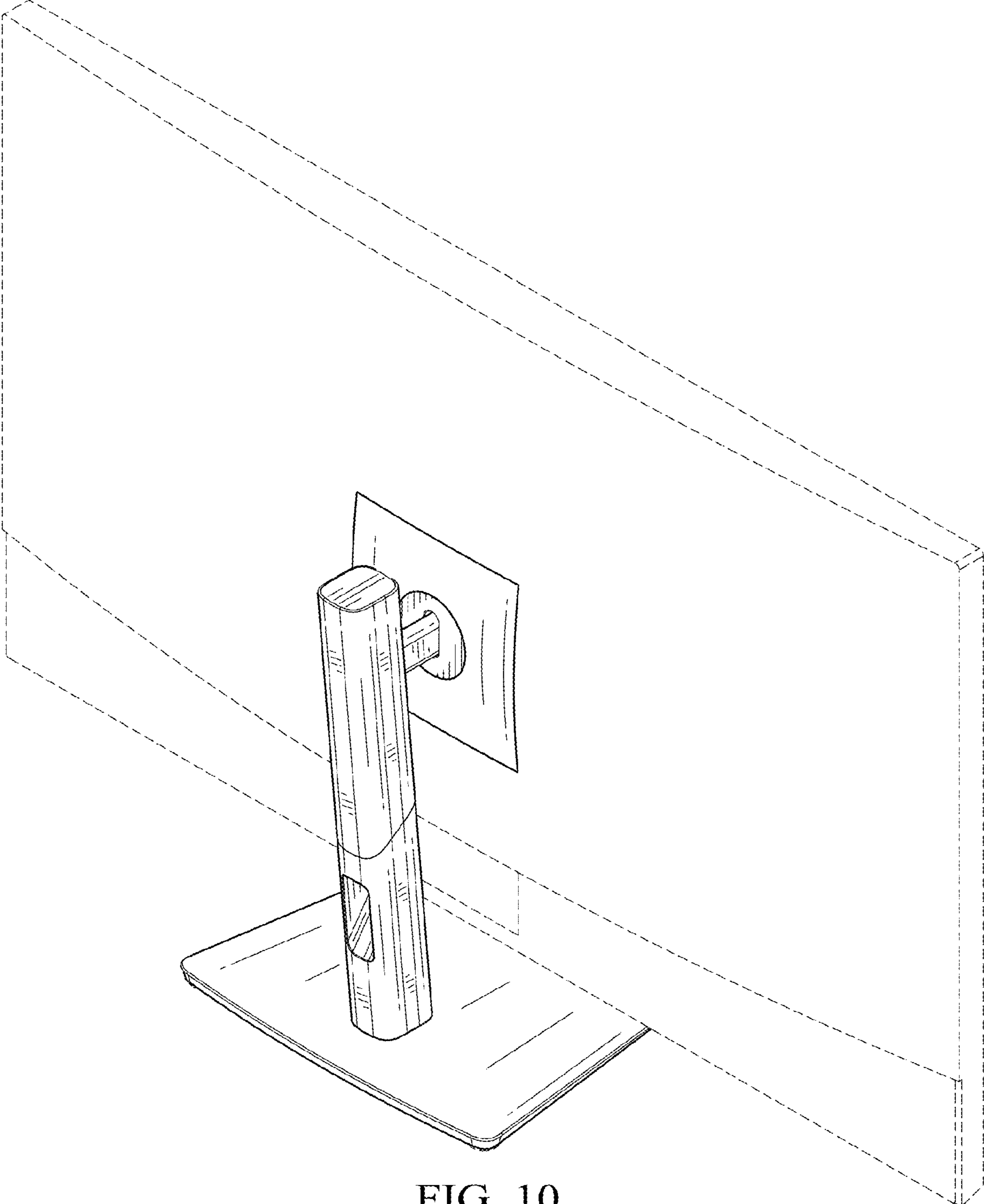


FIG. 10