



US00D894193S

(12) **United States Design Patent**  
**Oberpriller et al.**

(10) **Patent No.:** **US D894,193 S**

(45) **Date of Patent:** **\*\* \*Aug. 25, 2020**

(54) **ELECTRONIC DEVICE CASE**

(71) Applicant: **Hand Held Products, Inc.**, Fort Mill, SC (US)

(72) Inventors: **Mark Lee Oberpriller**, Atlanta, GA (US); **Timothy R. Fitch**, Syracuse, NY (US); **Yuefeng Mo**, Suzhou (CN)

(73) Assignee: **HAND HELD PRODUCTS, INC.**, Fort Mill, SC (US)

(\*) Notice: This patent is subject to a terminal disclaimer.

(\*\*) Term: **15 Years**

(21) Appl. No.: **29/599,184**

(22) Filed: **Mar. 31, 2017**

**Related U.S. Application Data**

(63) Continuation of application No. 29/468,118, filed on Sep. 26, 2013, now Pat. No. Des. 785,636.

(51) **LOC (12) Cl.** ..... **14-03**

(52) **U.S. Cl.**  
USPC ..... **D14/440**; D14/250

(58) **Field of Classification Search**

USPC ..... D14/203.3–203.8, 217, 238.1, 240, 248, D14/250–253, 300, 341–347, 432, 439, D14/440, 447, 496; D3/201, 215, 226, D3/227, 230, 232, 242, 243, 267, 268, D3/273, 274, 276, 283, 289, 290, 294, D3/300–303, 315, 318, 319, 323–328; D16/219; D13/107–108, 119

CPC .... H04B 1/3888; H04M 1/0283; H04M 1/18; H04M 1/0214; A45C 2011/002

See application file for complete search history.

(56) **References Cited**

**U.S. PATENT DOCUMENTS**

D637,589 S 5/2011 Willes et al.  
D642,171 S 7/2011 Melanson et al.

D662,924 S 7/2012 Melanson et al.  
D673,545 S 1/2013 Magness et al.  
D681,613 S 5/2013 Magness et al.

(Continued)

**OTHER PUBLICATIONS**

Final Rejection dated Aug. 13, 2015 for U.S. Appl. No. 29/468,118.

(Continued)

*Primary Examiner* — Holly E Thurman

(74) *Attorney, Agent, or Firm* — Alston & Bird LLP

(57) **CLAIM**

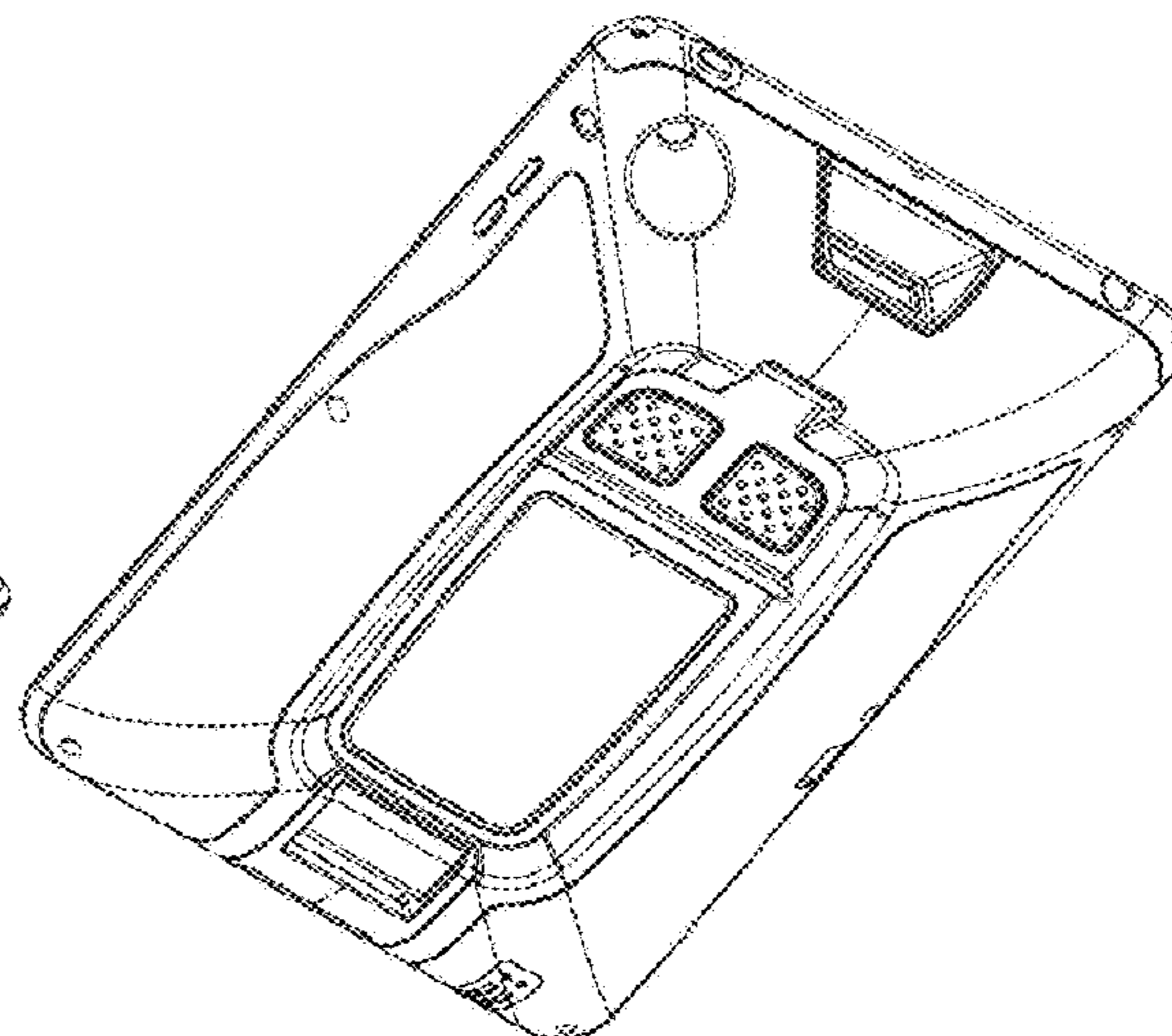
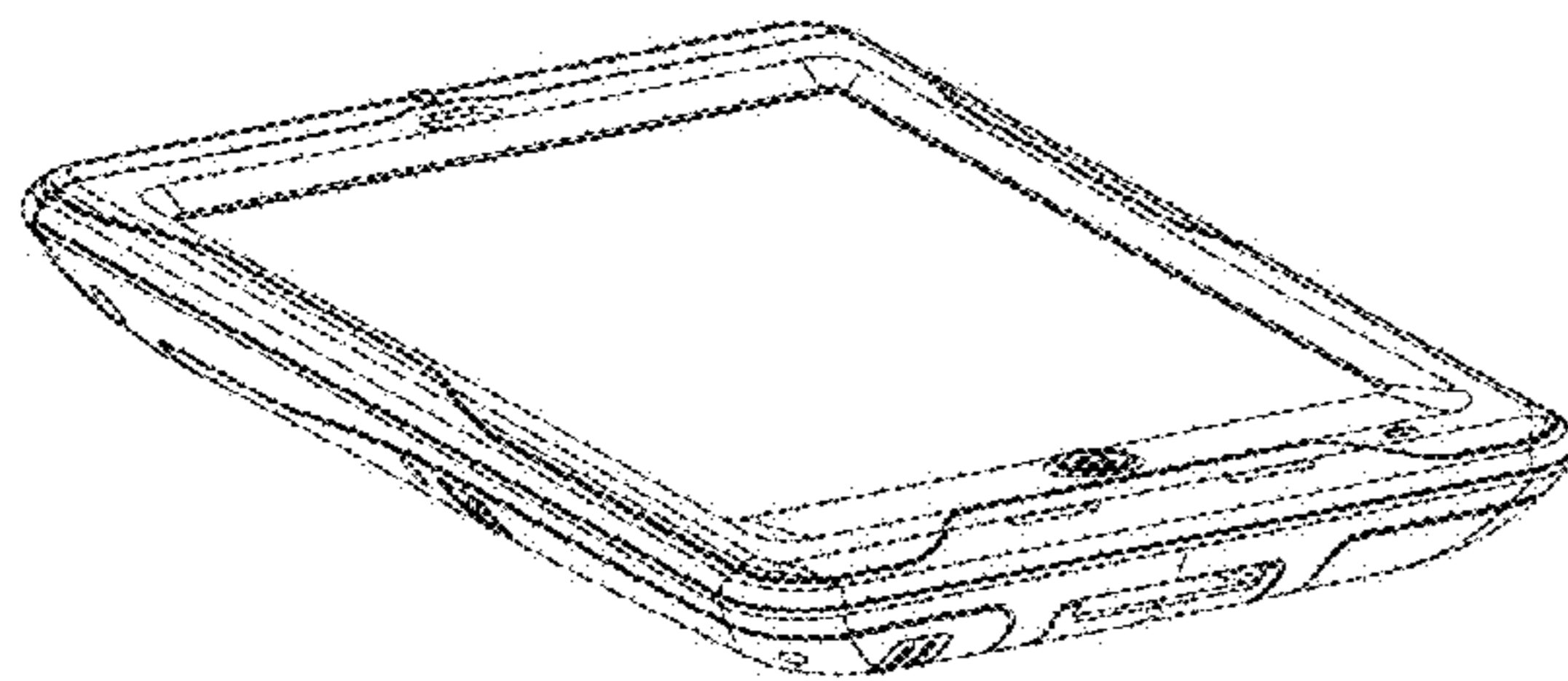
The ornamental design for an electronic device case, as shown and described.

**DESCRIPTION**

FIG. 1 is a perspective view of an electronic device case; FIG. 2 is a front elevation view of the electronic device case; FIG. 3 is a rear elevation view of the electronic device case; FIG. 4 is a left side elevation view of the electronic device case; FIG. 5 is a right side elevation view of the electronic device case; FIG. 6 is a top plan view of the electronic device case; FIG. 7 is a bottom plan view of the electronic device case; FIG. 8 is another perspective view of the electronic device case; FIG. 9 is another perspective view of the electronic device case; and, FIG. 10 is another perspective view of the electronic device case.

Any broken lines shown in the drawings of the electronic device case are for illustrative purposes only and form no part of the claimed design.

**1 Claim, 10 Drawing Sheets**



(56)

**References Cited**

U.S. PATENT DOCUMENTS

D683,338 S \* 5/2013 Wilson ..... D14/250  
D694,244 S 11/2013 Magness et al.  
D695,297 S 12/2013 Sun et al.  
D703,211 S 4/2014 Weller et al.  
D705,767 S 5/2014 Yoon  
D709,062 S 7/2014 Melanson et al.  
D709,063 S 7/2014 Chang et al.  
D742,869 S \* 11/2015 Odhwani ..... D14/250  
D763,239 S \* 8/2016 Chan ..... D14/250  
2012/0275025 A1 11/2012 Parrill  
2013/0027862 A1 \* 1/2013 Rayner ..... H01H 13/06  
361/679.3  
2013/0157730 A1 \* 6/2013 McCormac ..... H04M 1/18  
455/575.8  
2013/0273944 A1 \* 10/2013 Wilson ..... H04W 4/90  
455/457

OTHER PUBLICATIONS

Non-Final Rejection dated Jan. 2, 2015 for U.S. Appl. No. 29/468,118.  
Notice of Allowance and Fees Due (PTOL-85) dated Dec. 4, 2015  
for U.S. Appl. No. 29/468,118.  
Requirement for Restriction/Election dated Sep. 15, 2014 for U.S.  
Appl. No. 29/468,118.

\* cited by examiner

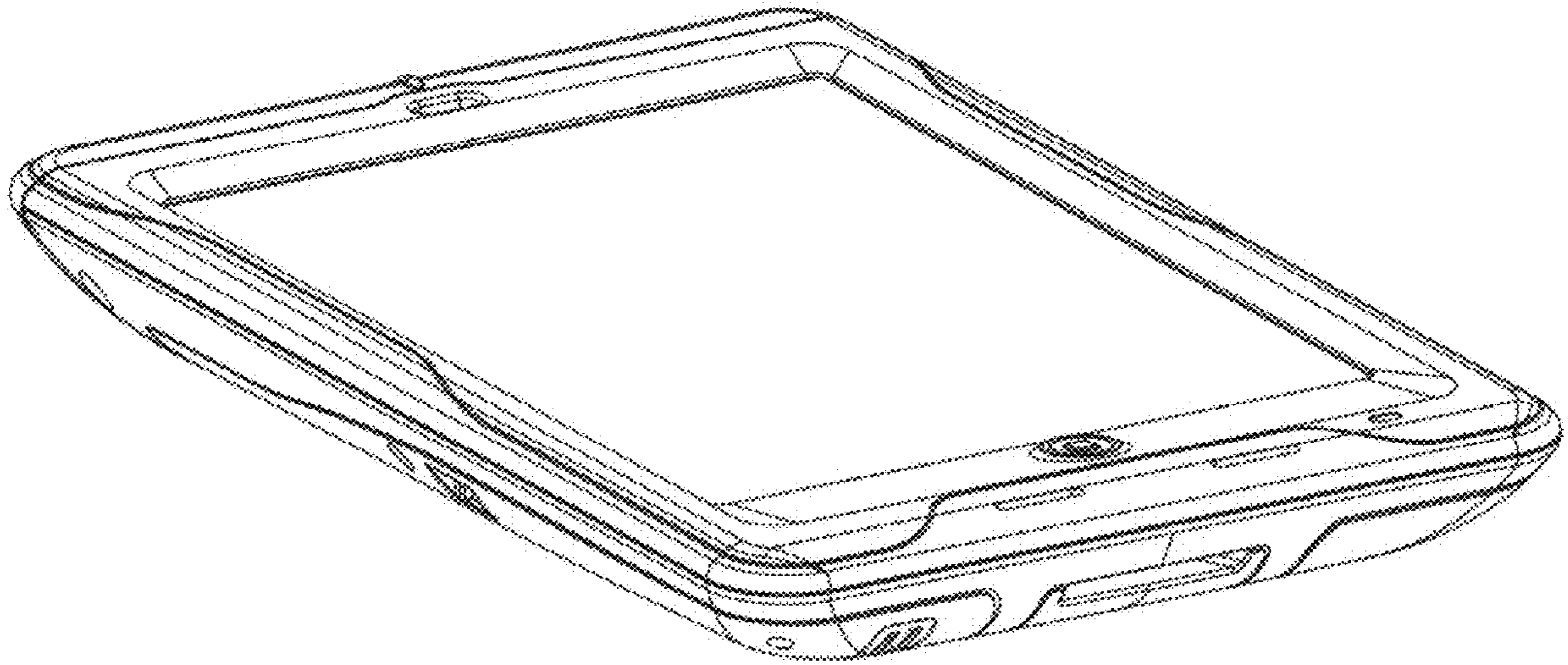


Figure 1



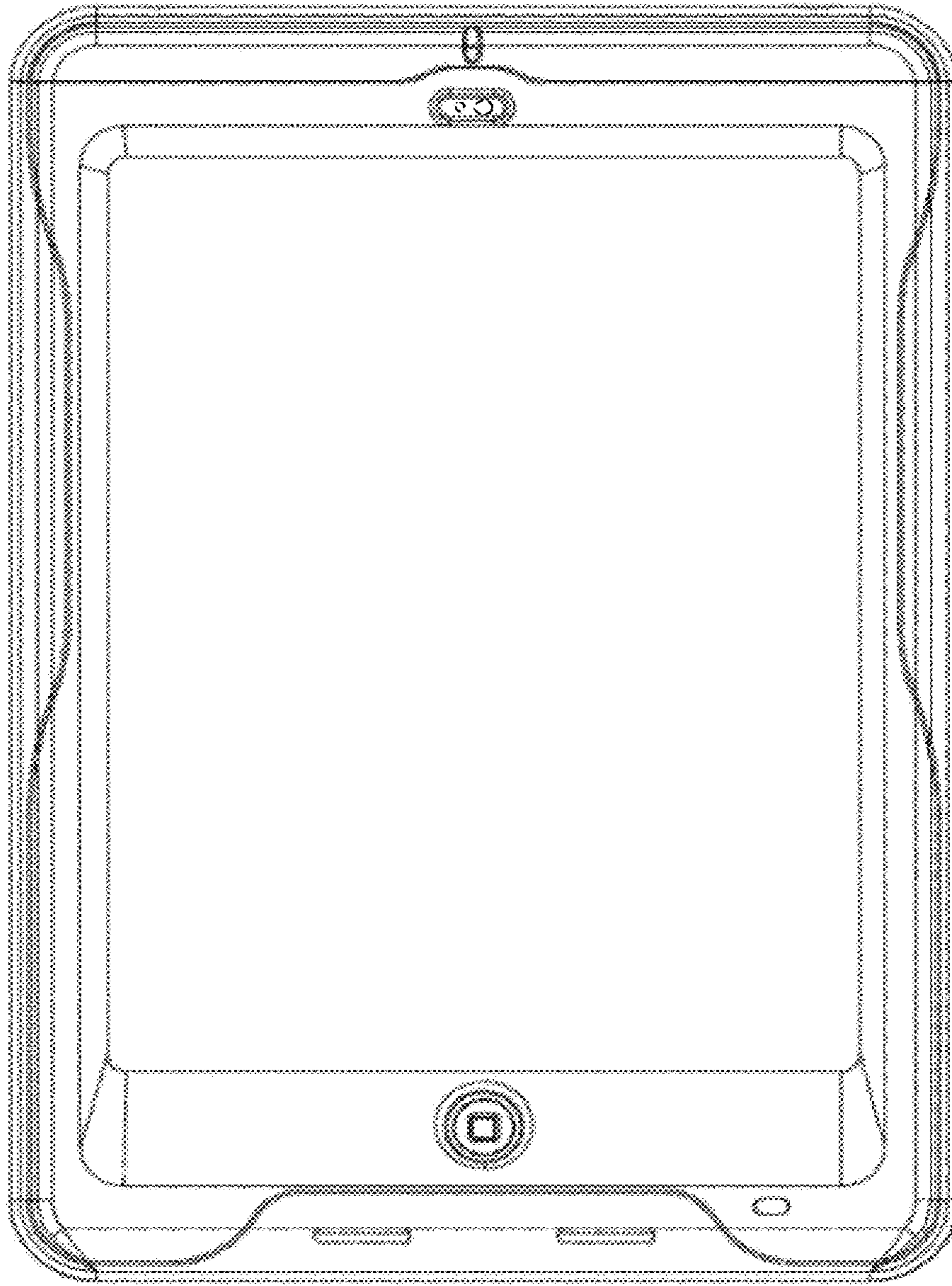


Figure 2

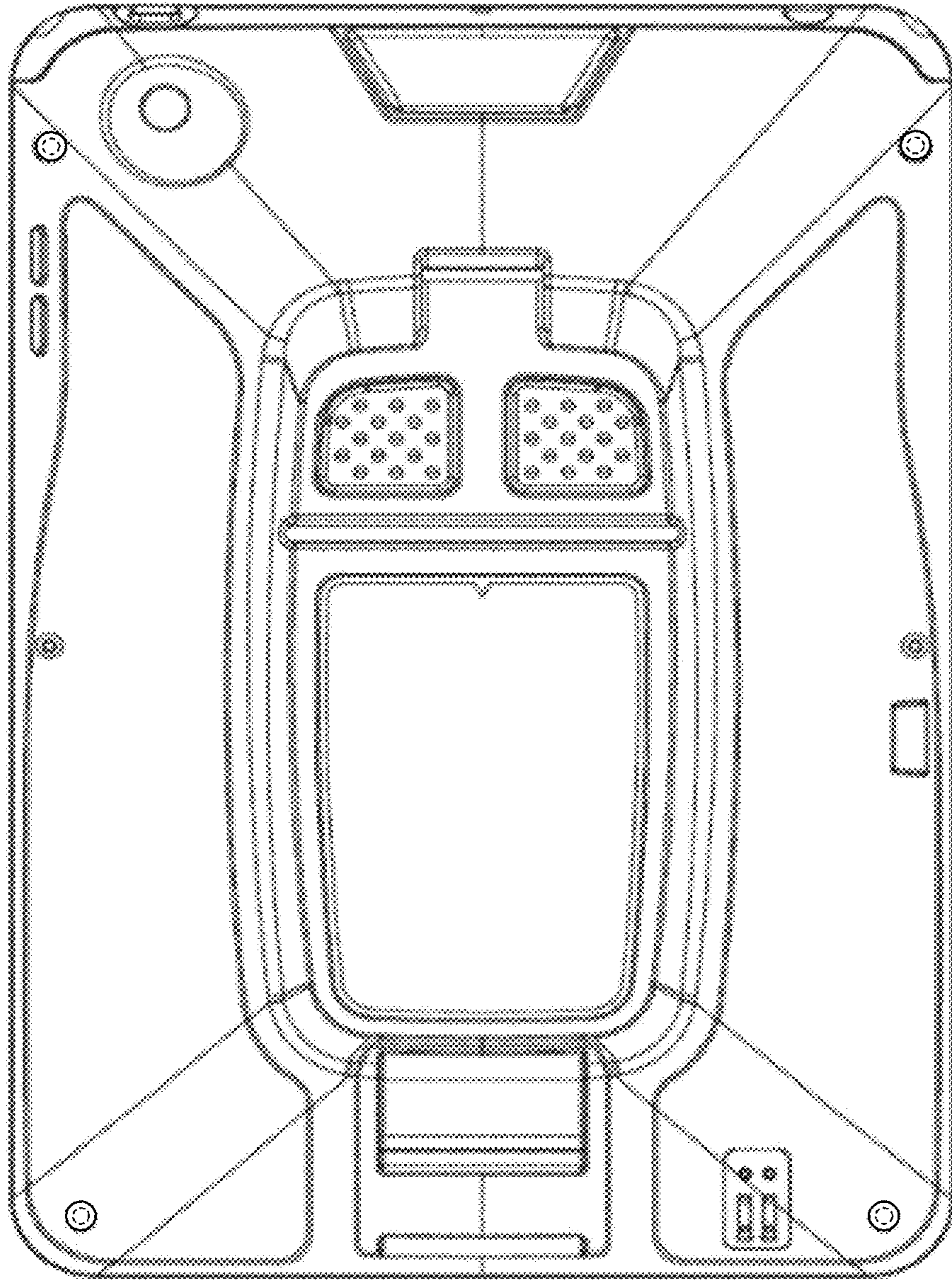


Figure 3

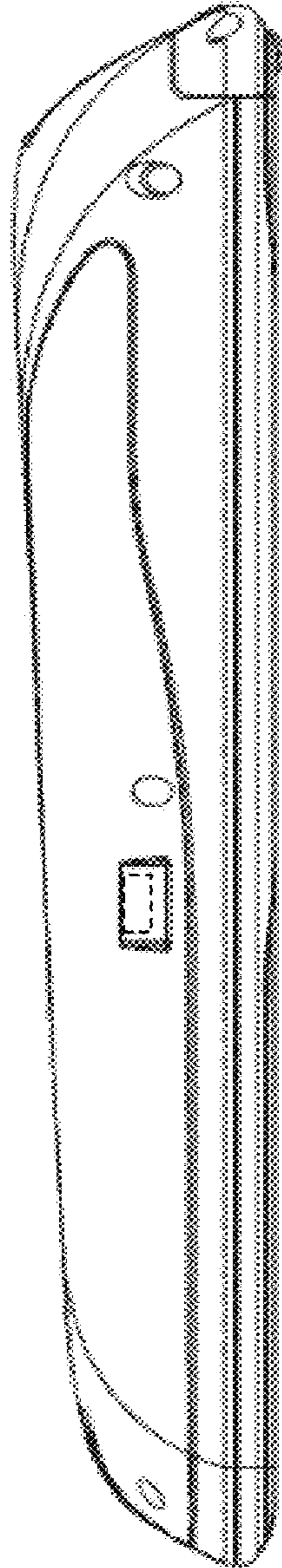


Figure 4



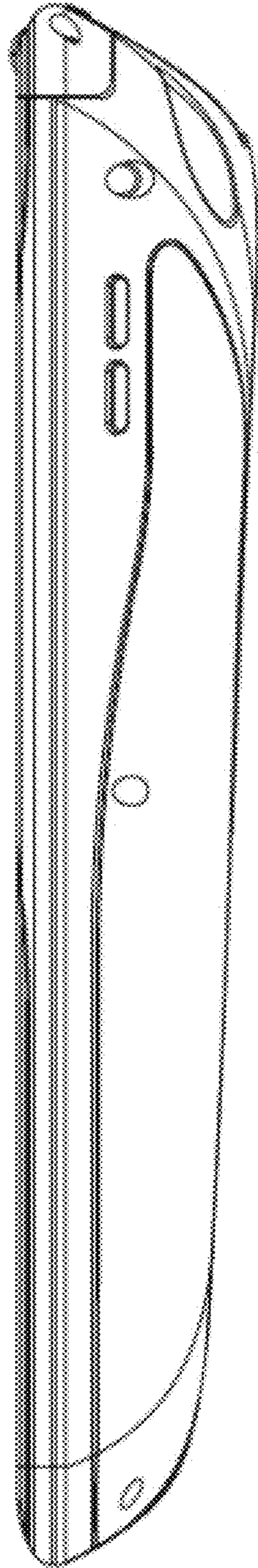


Figure 5

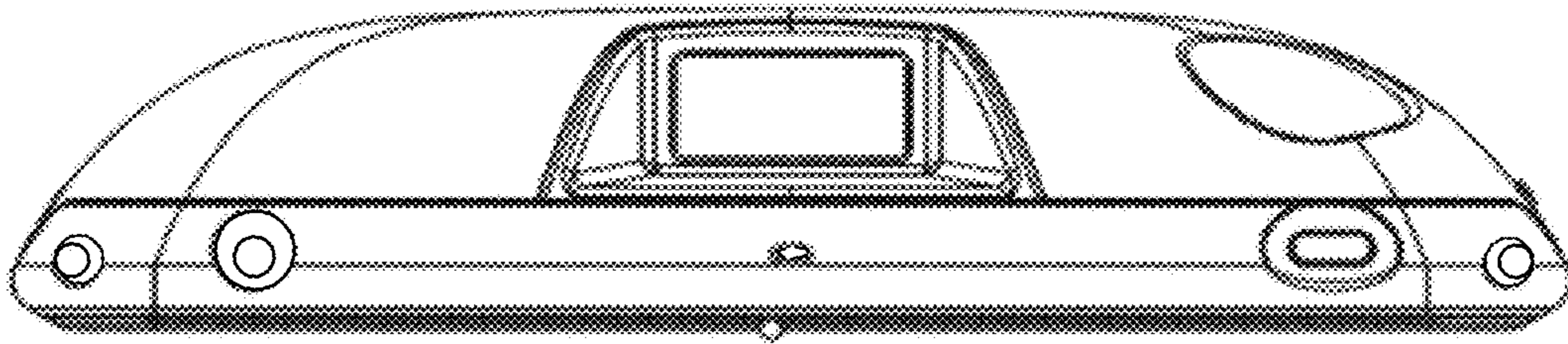


Figure 6



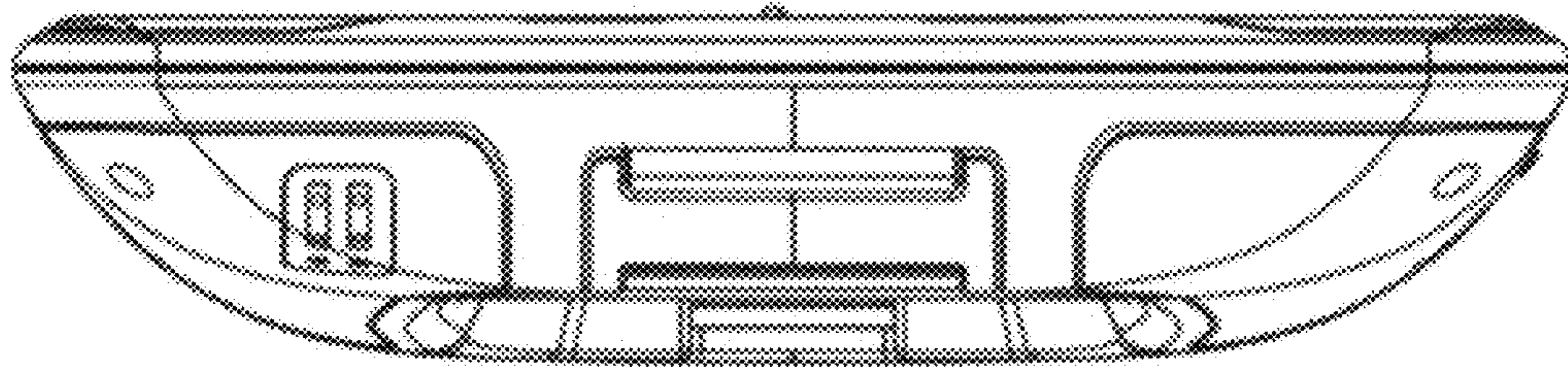


Figure 7

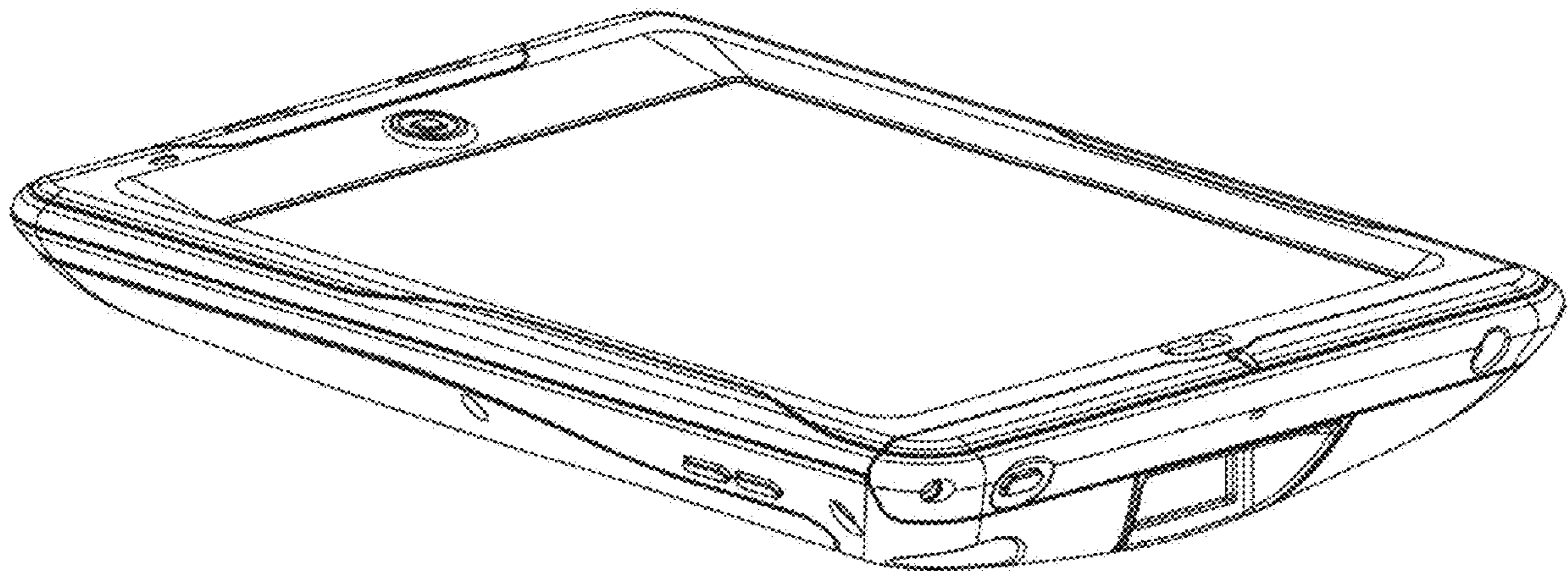


Figure 8

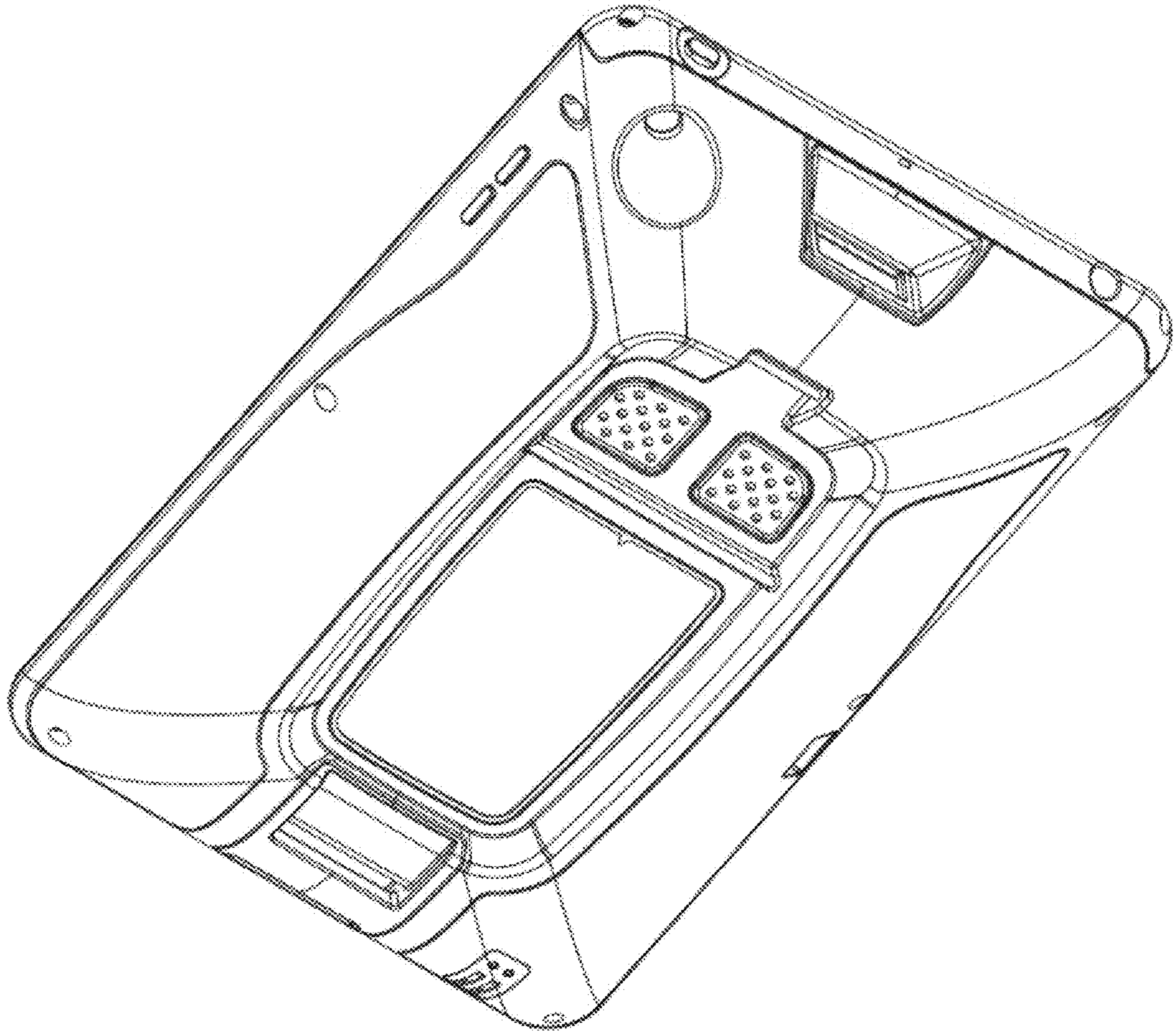


Figure 9



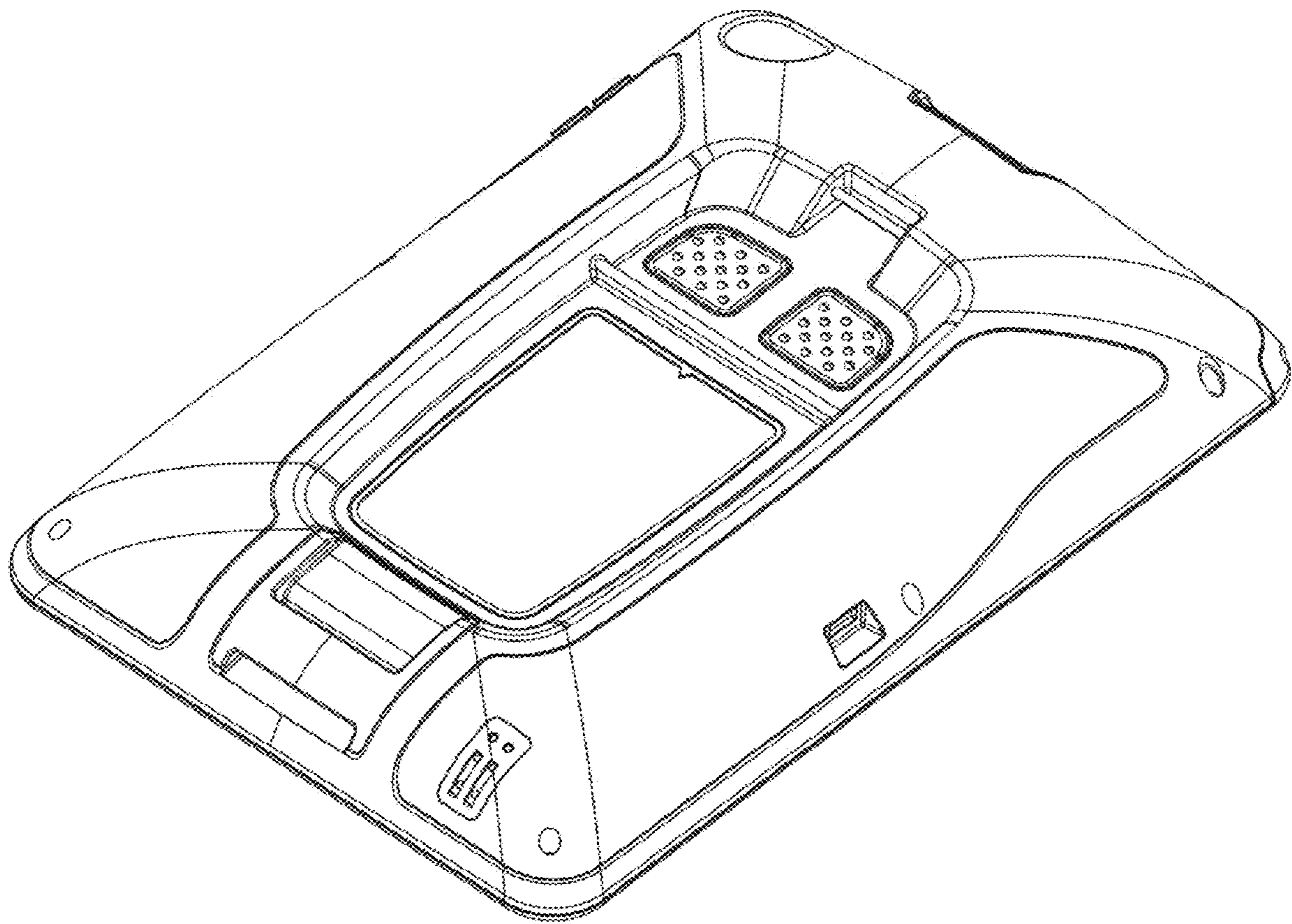


Figure 10