



US00D894190S

(12) **United States Design Patent**
Zhang et al.

(10) **Patent No.:** **US D894,190 S**
(45) **Date of Patent:** **** Aug. 25, 2020**

- (54) **MULTI-PORT USB HUB**
- (71) Applicants: **Qingsen Zhang**, Shenzhen (CN);
Junling Chen, Shenzhen (CN);
Zhuohao Liang, Zhongshan (CN)
- (72) Inventors: **Qingsen Zhang**, Shenzhen (CN);
Junling Chen, Shenzhen (CN);
Zhuohao Liang, Zhongshan (CN)
- (73) Assignee: **UGREEN GROUP LIMITED**,
Shenzhen (CN)
- (**) Term: **15 Years**
- (21) Appl. No.: **29/666,737**
- (22) Filed: **Oct. 16, 2018**
- (51) **LOC (12) Cl.** **14-99**
- (52) **U.S. Cl.**
USPC **D14/433**
- (58) **Field of Classification Search**
USPC D14/240, 242, 356, 357, 358, 378, 383,
D14/384, 385, 386, 433, 434, 435.1,
D14/480.1, 480.3, 480.4, 480.5, 480.6,
D14/480.7; D13/103, 107, 108, 110, 146;
D18/12, 12.1, 12.3
CPC H01R 25/003; H01R 25/006; H01R 27/02;
H01R 31/005; H01R 13/60; H01R
13/6658; H01R 13/72; G06F 1/1607;
G06F 1/1632; G06F 1/1684; G06F 1/266;
G06F 11/325; G06F 13/00; G06F 13/12;
G06F 13/14; G06F 13/20; G06F 13/382;
G06F 13/4022; G06F 9/4413
See application file for complete search history.

- (56) **References Cited**
U.S. PATENT DOCUMENTS
D542,788 S * 5/2007 Gutmann D14/480.5
D551,668 S * 9/2007 Newby D14/433

- D554,630 S * 11/2007 Ma D14/240
- D560,165 S * 1/2008 Matityahu D13/133
- D682,197 S * 5/2013 Leung D13/103
- D683,765 S * 6/2013 Ahn D14/203.3
- D696,195 S * 12/2013 Wen D13/110
- D762,170 S * 7/2016 Lei D13/108
- D788,112 S * 5/2017 Liao D14/433
- D798,811 S * 10/2017 Liao D13/110
- D807,290 S * 1/2018 Liao D13/110
- D828,839 S * 9/2018 Zhang D14/433
- D828,840 S * 9/2018 Zhang D14/433
- D828,841 S * 9/2018 Zhang D14/433
- D844,618 S * 4/2019 Liao D14/434
- D847,139 S * 4/2019 Wang D14/433
- D856,278 S * 8/2019 Turksu D13/108
- D856,324 S * 8/2019 Shim D14/348
- D862,385 S * 10/2019 Turksu D13/108
- D866,557 S * 11/2019 Xiong D14/433
- D869,467 S * 12/2019 Lin D14/434
- D878,373 S * 3/2020 Zhang D14/433

(Continued)

Primary Examiner — Jeffrey D Asch
Assistant Examiner — Rebekah A Caruso

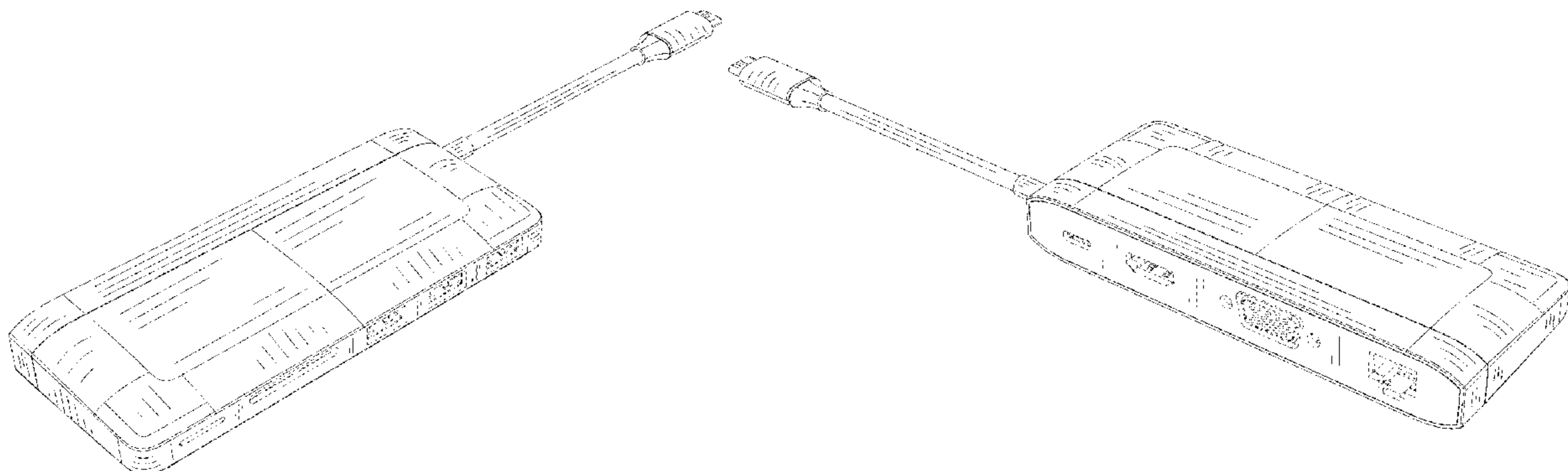
(57) **CLAIM**

The ornamental design for a multi-port USB hub, as shown and described.

DESCRIPTION

FIG. 1 is a front, right perspective view of a multi-port USB hub showing my new design;
FIG. 2 is a front, left perspective view thereof
FIG. 3 is a front elevational view thereof;
FIG. 4 is a rear elevational view thereof;
FIG. 5 is a left side elevational view thereof;
FIG. 6 is a right side elevational view thereof;
FIG. 7 is a top plan view thereof; and,
FIG. 8 is a bottom plan view thereof.
The broken lines depict environment that forms no part of the claimed design.

1 Claim, 8 Drawing Sheets



(56)

References Cited

U.S. PATENT DOCUMENTS

D883,983 S * 5/2020 Zhang D14/433
2012/0243156 A1 * 9/2012 Cheng G06F 13/4022
361/679.02

* cited by examiner

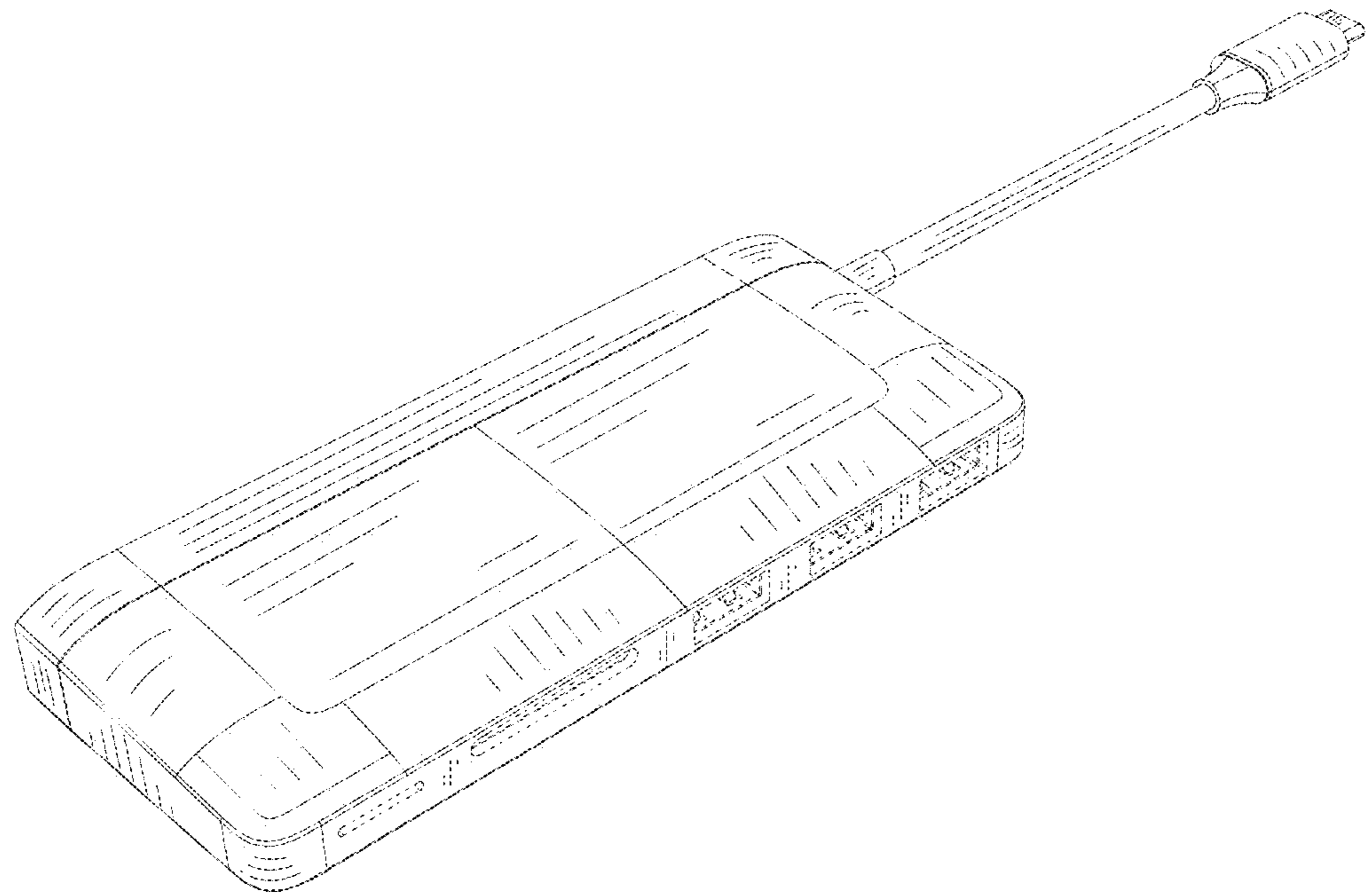


FIG. 1

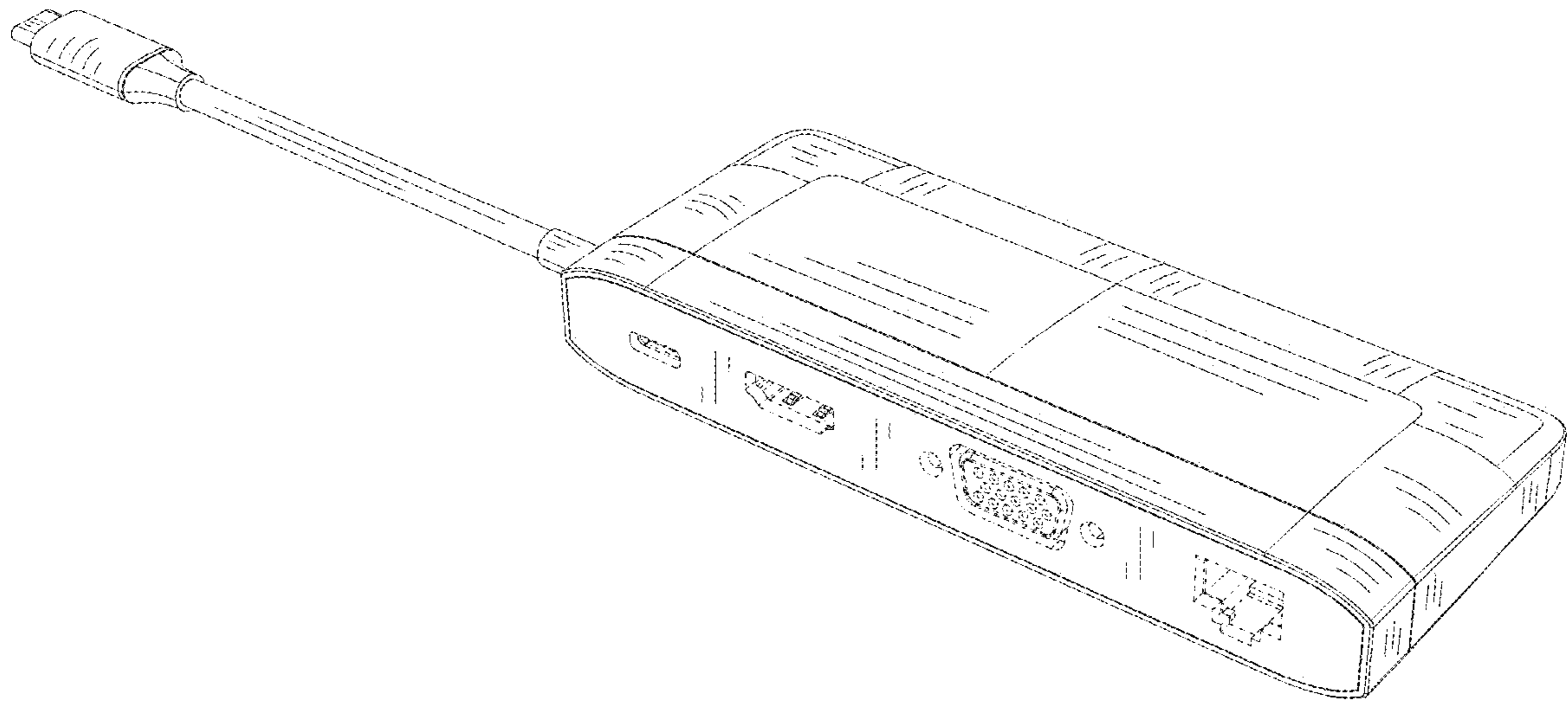


FIG. 2

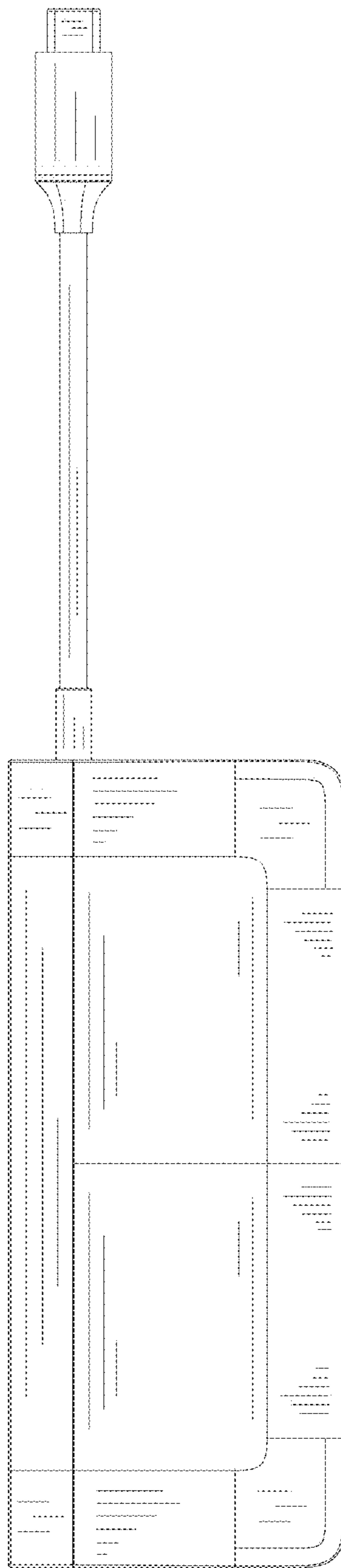


FIG. 3

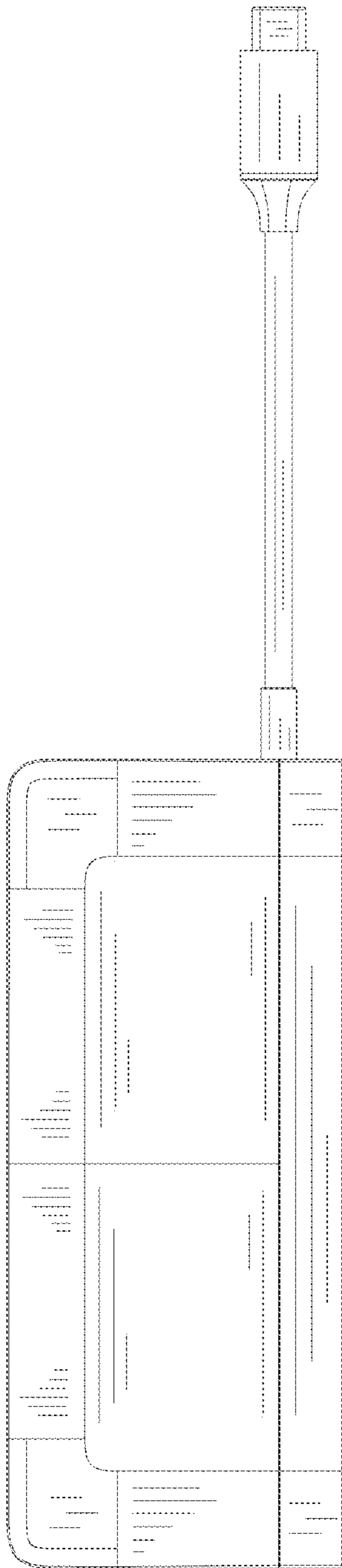


FIG. 4

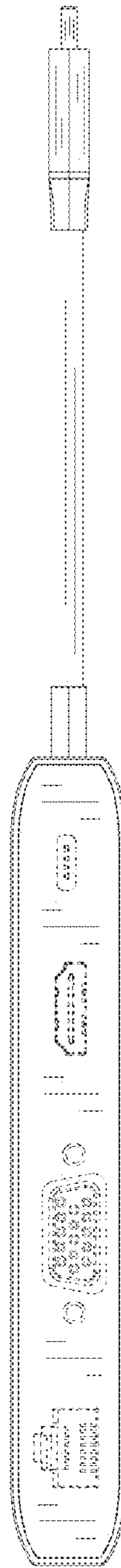


FIG. 5

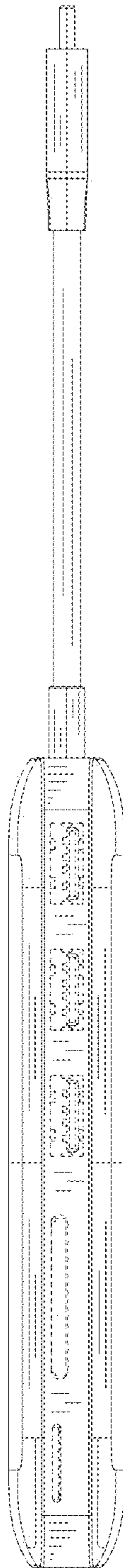


FIG. 6

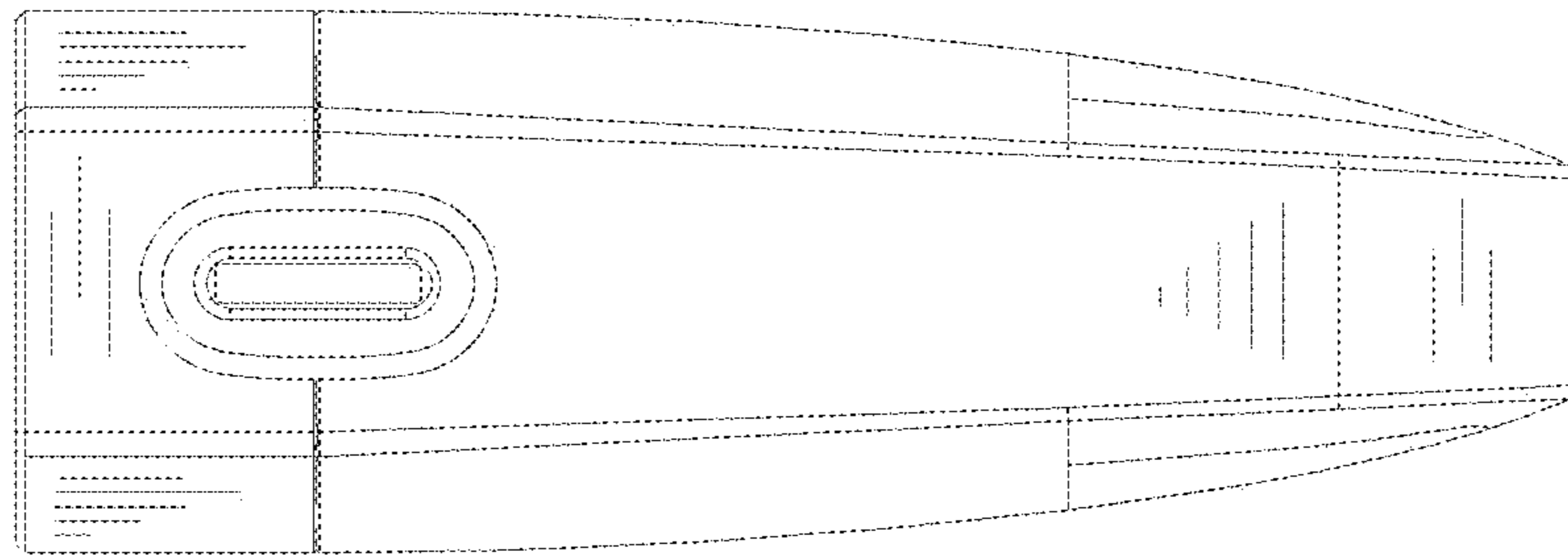


FIG. 7

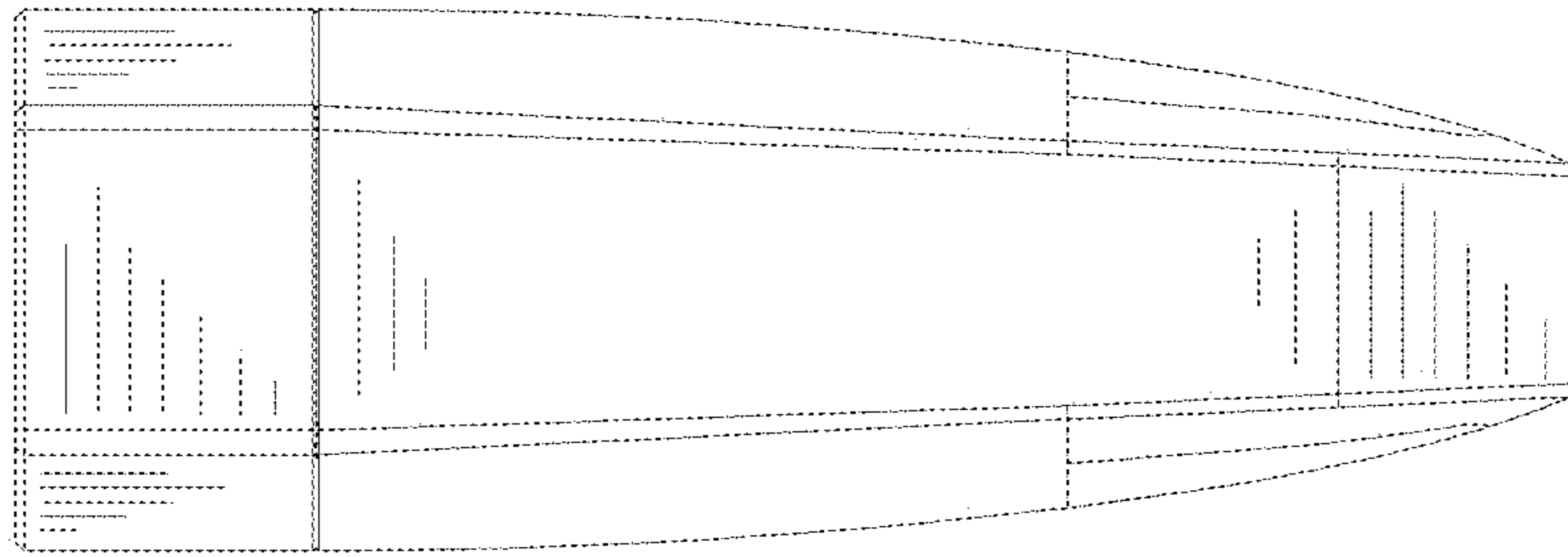


FIG. 8