

US00D894185S

(12) **United States Design Patent** (10) **Patent No.:** **US D894,185 S**  
**Li** (45) **Date of Patent:** **\*\* Aug. 25, 2020**

(54) **KEYBOARD**  
(71) Applicant: **GETAC TECHNOLOGY CORPORATION**, Hsinchu County (TW)

5,949,643 A \* 9/1999 Batio ..... G06F 1/1616 345/168  
D422,972 S \* 4/2000 King ..... D14/341  
D541,802 S \* 5/2007 Weingartner ..... D14/398  
D580,936 S \* 11/2008 Meyer ..... D14/391  
D604,299 S \* 11/2009 Acevedo ..... D14/346

(Continued)

(72) Inventor: **Chun-Hsing Li**, Taipei (TW)  
(73) Assignee: **GETAC TECHNOLOGY CORPORATION**, Hsinchu County (TW)

**FOREIGN PATENT DOCUMENTS**

CN 304044612 \* 2/2017  
EM 006125571-0001 \* 2/2019

(\*\*) Term: **15 Years**

**OTHER PUBLICATIONS**

(21) Appl. No.: **29/679,010**  
(22) Filed: **Jan. 31, 2019**  
(51) **LOC (12) Cl.** ..... **14-02**  
(52) **U.S. Cl.**  
USPC ..... **D14/391**  
(58) **Field of Classification Search**  
USPC ..... D14/203.4, 203.6, 247, 345-346, D14/315-327, 391-399, 434, 455-457, D14/477, 507, 509; D18/1-2, 4.1-4.6, 7, D18/11; 235/145 A, 145 R; 341/22-23; 345/104, 156, 168-169, 173; 361/679.08, 361/679.09, 679.11, 679.26, 679.27; 708/142, 146; 400/489; D11/132  
CPC ..... B41J 5/00; B41J 5/10; B41J 5/12; F16M 11/10; G06F 3/0219; G06F 3/02  
See application file for complete search history.

IK-TR-911-FSR Illuminated Emergency Keyboard, iKey, ieci.com.au, author not listed, published Mar. 26, 2018 © not listed, online, site visited Mar. 18, 2020. Available from Internet, URL: https://www.ieci.com.au/information/article1.asp?Article\_ID=1167&Title=New+Backlit+Emergency+Keyboards (Year: 2018).\*

(Continued)

*Primary Examiner* — Marissa J Cash  
*Assistant Examiner* — Altaira J Swangin

(57) **CLAIM**

The ornamental design for a “keyboard”, as shown and described.

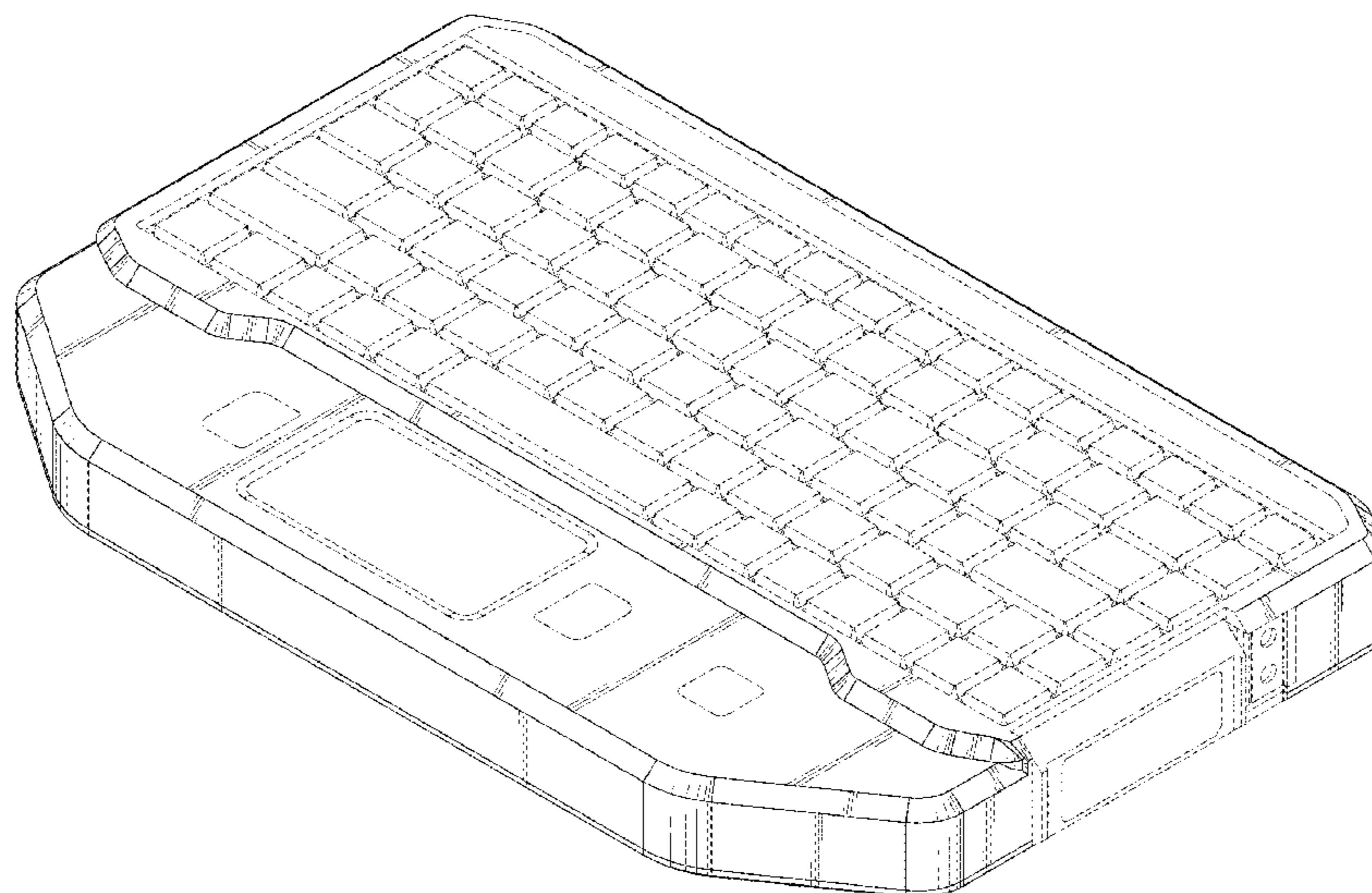
**DESCRIPTION**

FIG. 1 is a top front right perspective view of a keyboard showing my new design;  
FIG. 2 is a bottom front right perspective view thereof;  
FIG. 3 is a front view thereof;  
FIG. 4 is a rear view thereof;  
FIG. 5 is a left side view thereof;  
FIG. 6 is a right side view thereof;  
FIG. 7 is a top view thereof; and,  
FIG. 8 is a bottom view thereof.  
The dashed broken lines illustrate portions of the keyboard that form no part of the claimed design.

(56) **References Cited**  
**U.S. PATENT DOCUMENTS**

D227,678 S \* 7/1973 Takanashi ..... D14/477  
D278,351 S \* 4/1985 Funato ..... D18/1  
4,572,462 A \* 2/1986 Inkel ..... B41J 32/00 242/343.2  
D304,938 S \* 12/1989 Lowe ..... D14/477  
D367,289 S \* 2/1996 Chung ..... D14/339  
5,883,325 A \* 3/1999 Peirce ..... G10H 1/0008 84/602

**1 Claim, 8 Drawing Sheets**



(56)

**References Cited**

## U.S. PATENT DOCUMENTS

D697,140 S \* 1/2014 Baum ..... D14/401  
D777,623 S \* 1/2017 Anderton ..... D12/174  
D801,005 S \* 10/2017 Perez ..... D2/825  
D815,640 S \* 4/2018 Nagai ..... D14/434  
D821,454 S \* 6/2018 Maibach ..... D15/28  
2007/0090236 A1 \* 4/2007 Awalt ..... A47F 7/0071  
248/176.1  
2009/0262076 A1 \* 10/2009 Brugger ..... G06F 3/0219  
345/168  
2017/0020281 A1 \* 1/2017 Demski ..... E05B 73/0082  
2018/0130614 A1 \* 5/2018 Huang ..... H01H 3/122

## OTHER PUBLICATIONS

M879 SCD Keyboard, Staco Systems, yumpu.com, published by Staco Systems on Mar. 26, 2018 © 2011 Staco Systems, online, site visited Mar. 18, 2020. Available from Internet, URL: <https://www.yumpu.com/en/document/view/26578744/m879-scd-staco-systems> (Year: 2018).\*

Bluetooth Wireless Keyboard BT-87-TP, iKey, wetkeys.com, author not listed, published on Sep. 3, 2015 per wayback machine © 2020 Wetkeys, LLC, online, site visited Mar. 18, 2020. Available from Internet, URL: <https://www.wetkeys.com/Bluetooth-Industrial-Keyboard-with-Touchpad-p/bt-87-tp.htm> (Year: 2015).\*

\* cited by examiner

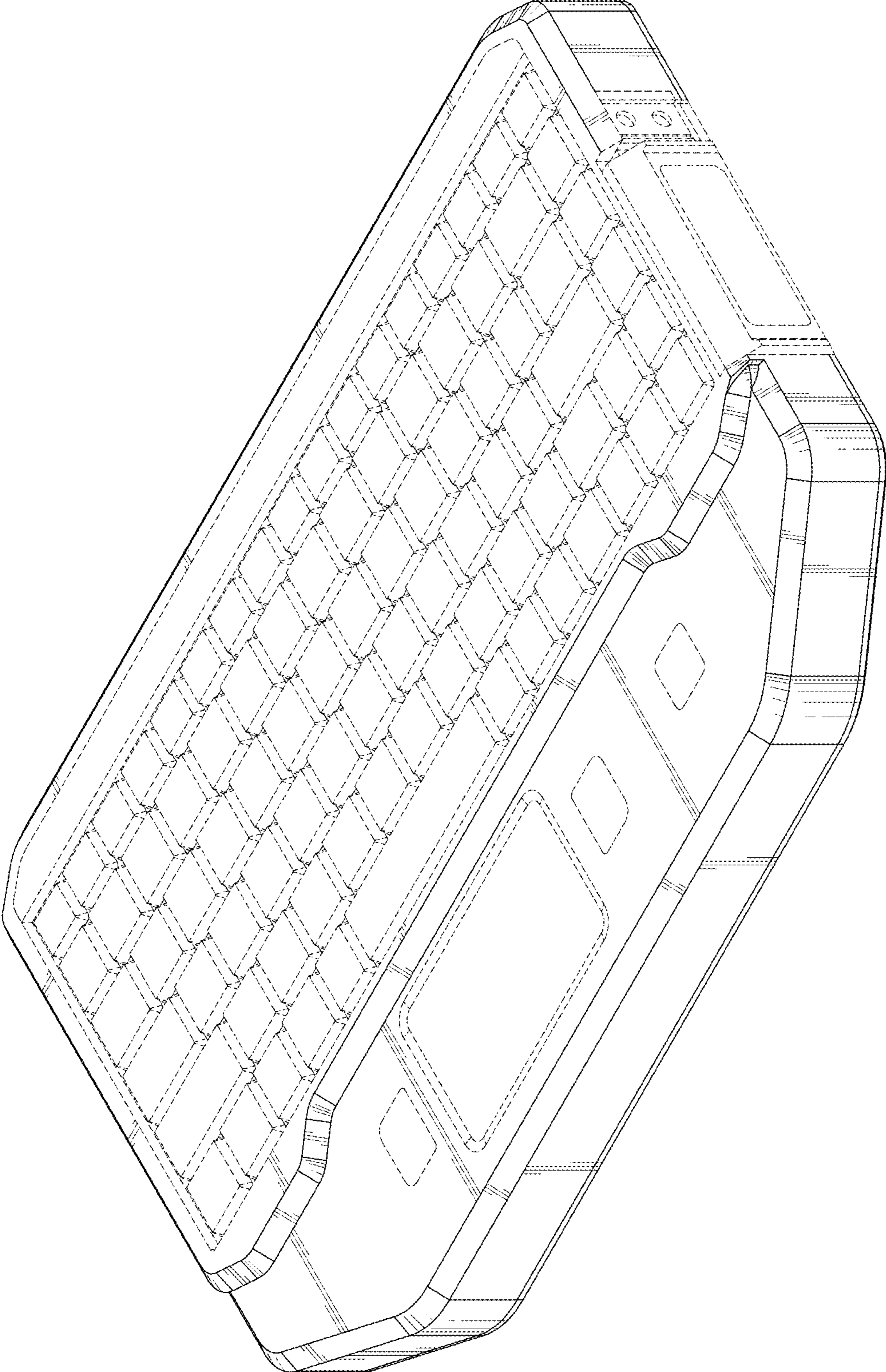


FIG. 1

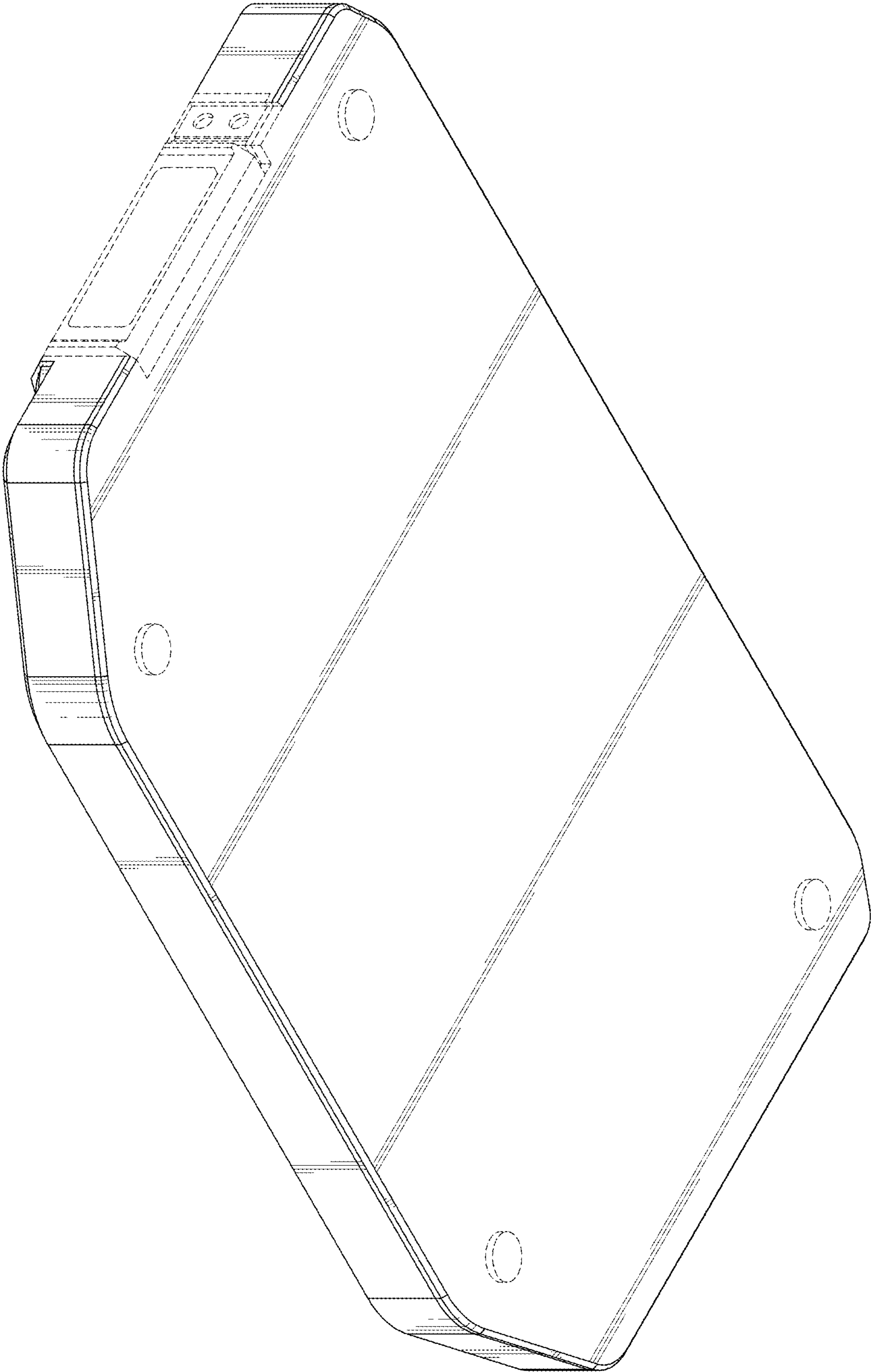


FIG. 2

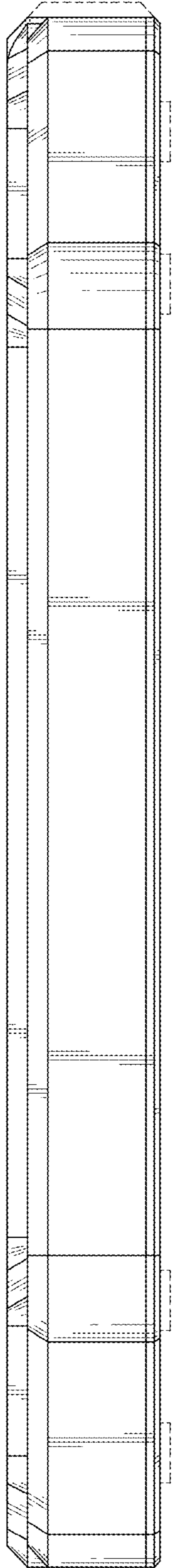


FIG. 3

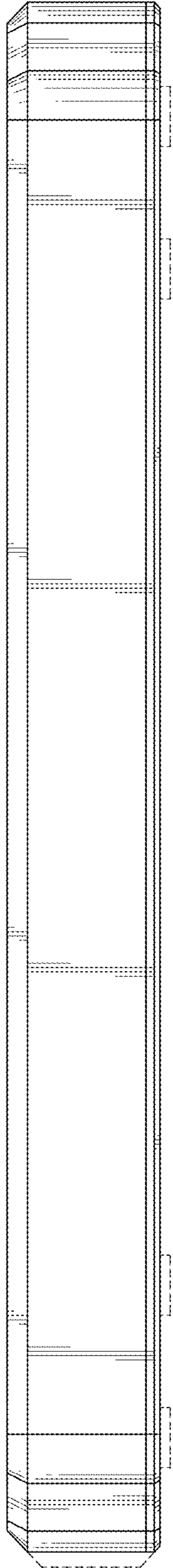


FIG. 4

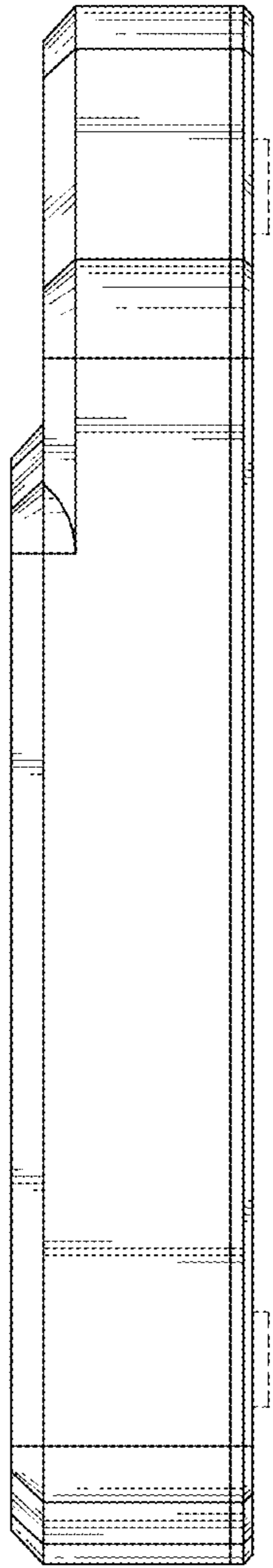


FIG. 5

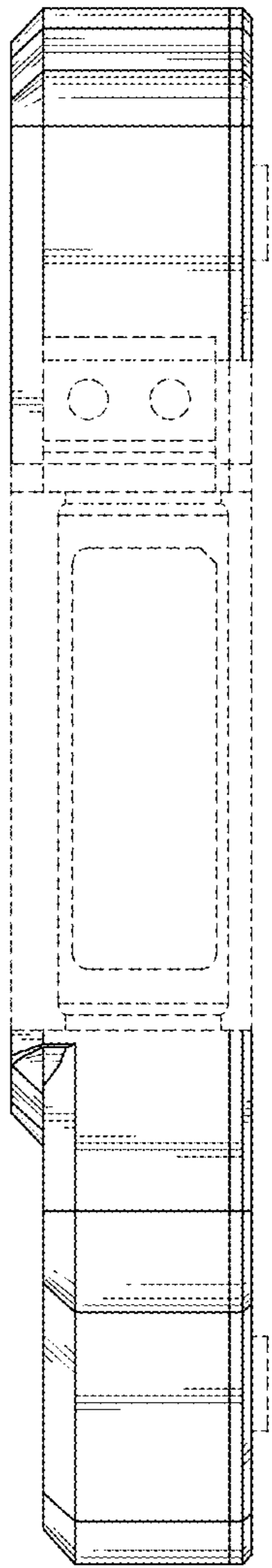


FIG. 6



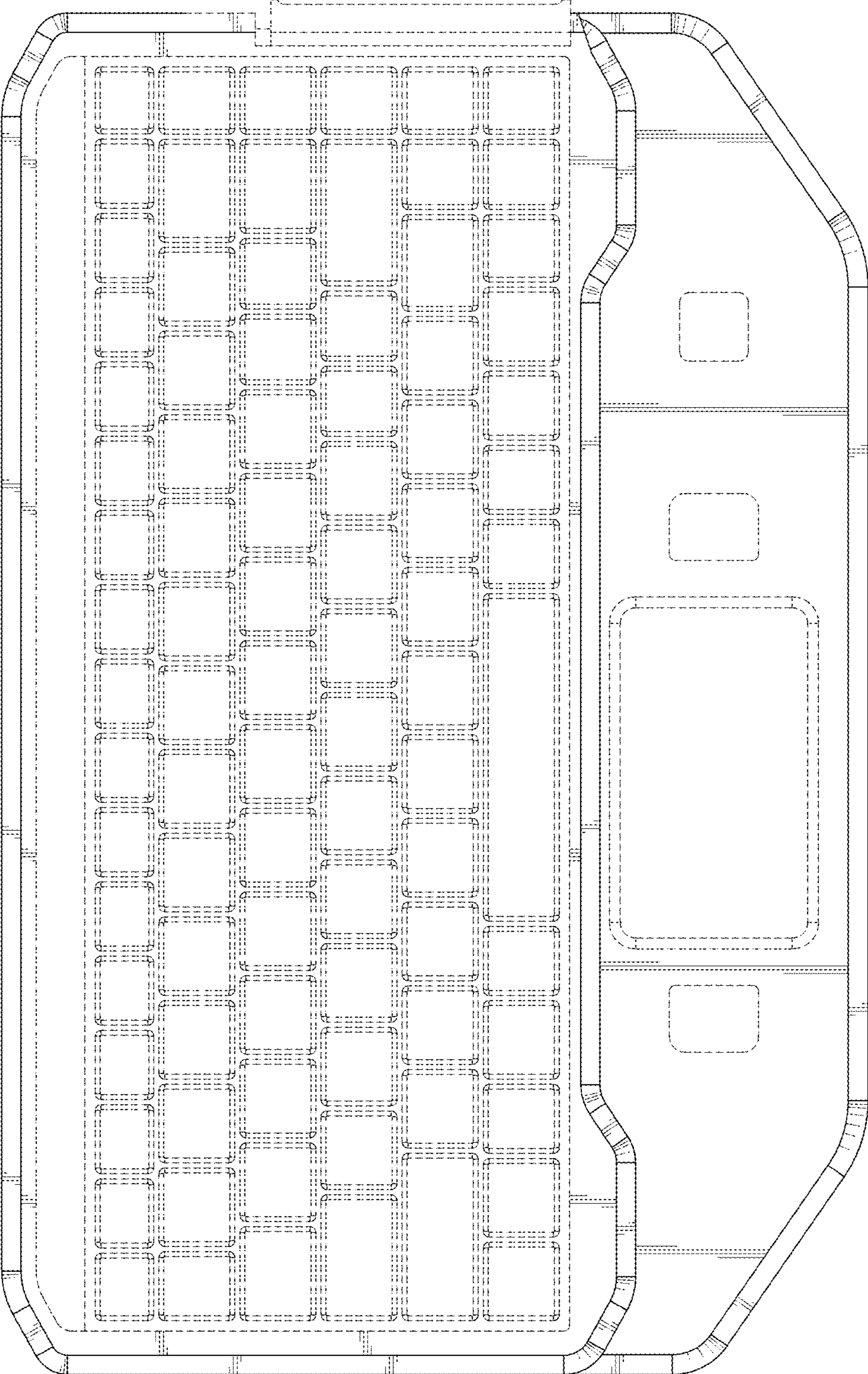


FIG. 7

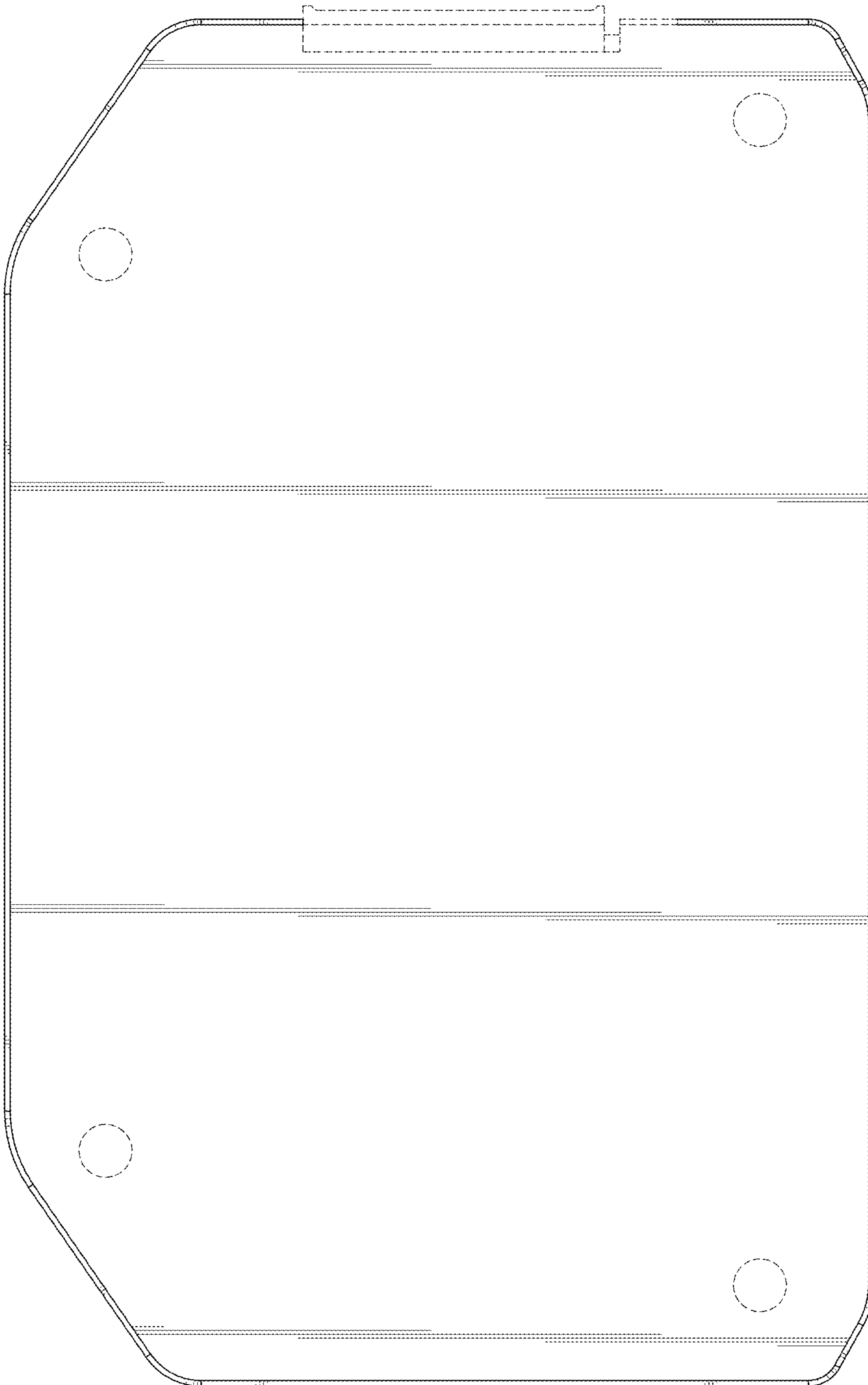


FIG. 8