



US00D894182S

(12) **United States Design Patent** (10) **Patent No.:** **US D894,182 S**  
**Min** (45) **Date of Patent:** **\*\* Aug. 25, 2020**

(54) **FINGER VEIN INPUT UNIT**

(56) **References Cited**

(71) Applicant: **NANJING EASTHOUSE ELECTRICAL CO., LTD.**, Nanjing (CN)

U.S. PATENT DOCUMENTS

(72) Inventor: **Hao Min**, Nanjing (CN)

D393,837 S *	4/1998	Umetsu	D14/384
D478,905 S *	8/2003	Byrne	D14/384
D487,266 S *	3/2004	Morimiya	D14/384
D516,069 S *	2/2006	Kuroda	D14/384
D542,291 S *	5/2007	Kang	D14/384
D593,559 S *	6/2009	Lin	D14/384
D669,380 S *	10/2012	Kong	D10/104.1
D702,236 S *	4/2014	Gelinotte	D14/420
D715,800 S *	10/2014	Cornelison	D14/384
D741,328 S *	10/2015	Li	D14/384
D741,862 S *	10/2015	Beroukhim	D14/384
D782,479 S *	3/2017	Bruno	D14/384
D838,271 S *	1/2019	Kaneko	D14/384

(73) Assignee: **NANJING EASTHOUSE ELECTRICAL CO., LTD.**, Nanjing (CN)

(\*\*) Term: **15 Years**

\* cited by examiner

(21) Appl. No.: **29/638,242**

(22) Filed: **Feb. 26, 2018**

*Primary Examiner* — Austin Murphy

(51) **LOC (12) Cl.** ..... **14-02**

(74) *Attorney, Agent, or Firm* — Ming Jiang; MM IP Services LLC

(52) **U.S. Cl.**  
USPC ..... **D14/384**; D14/383

(57) **CLAIM**

(58) **Field of Classification Search**

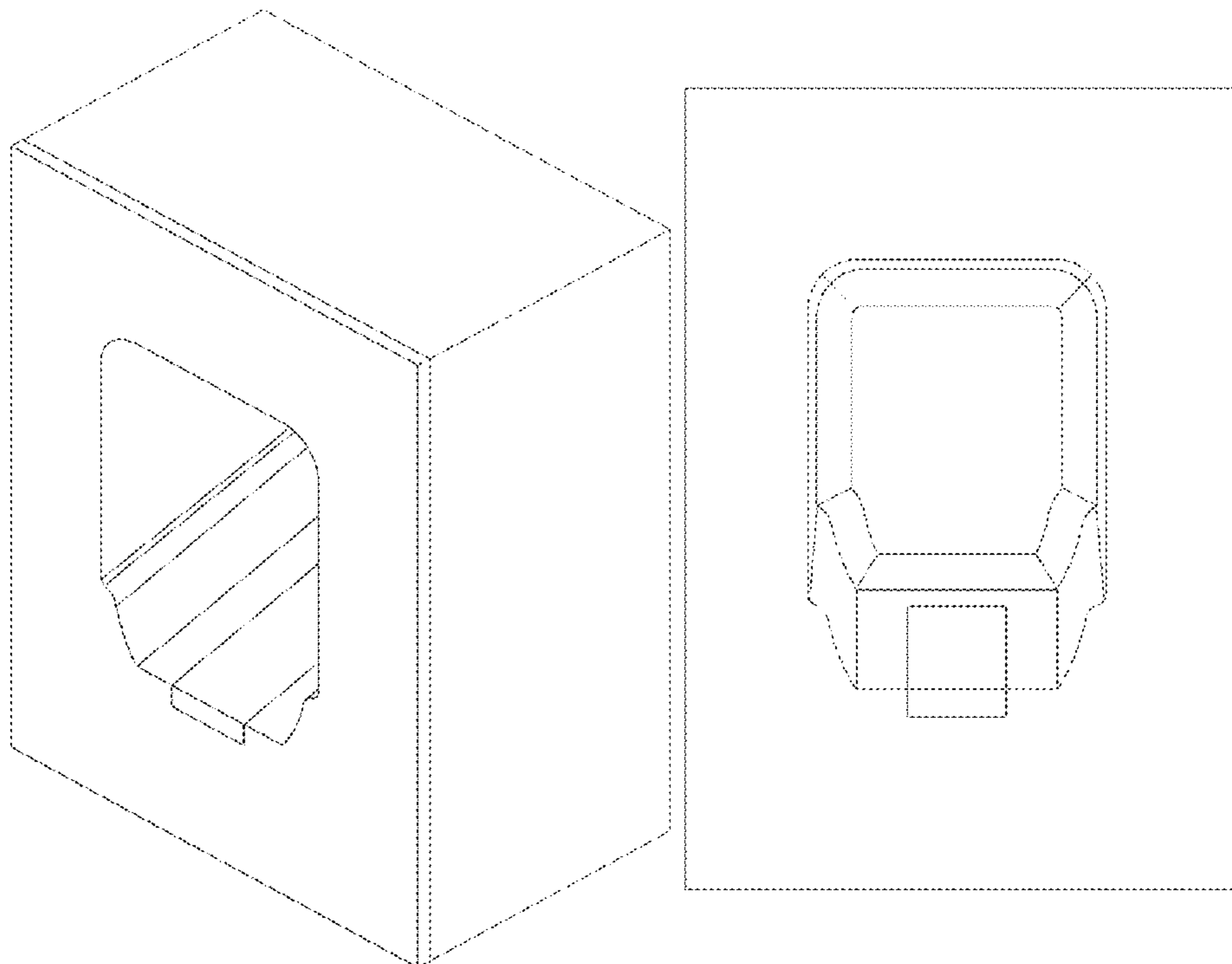
I claim the ornamental design for finger vein input unit, as shown and described.

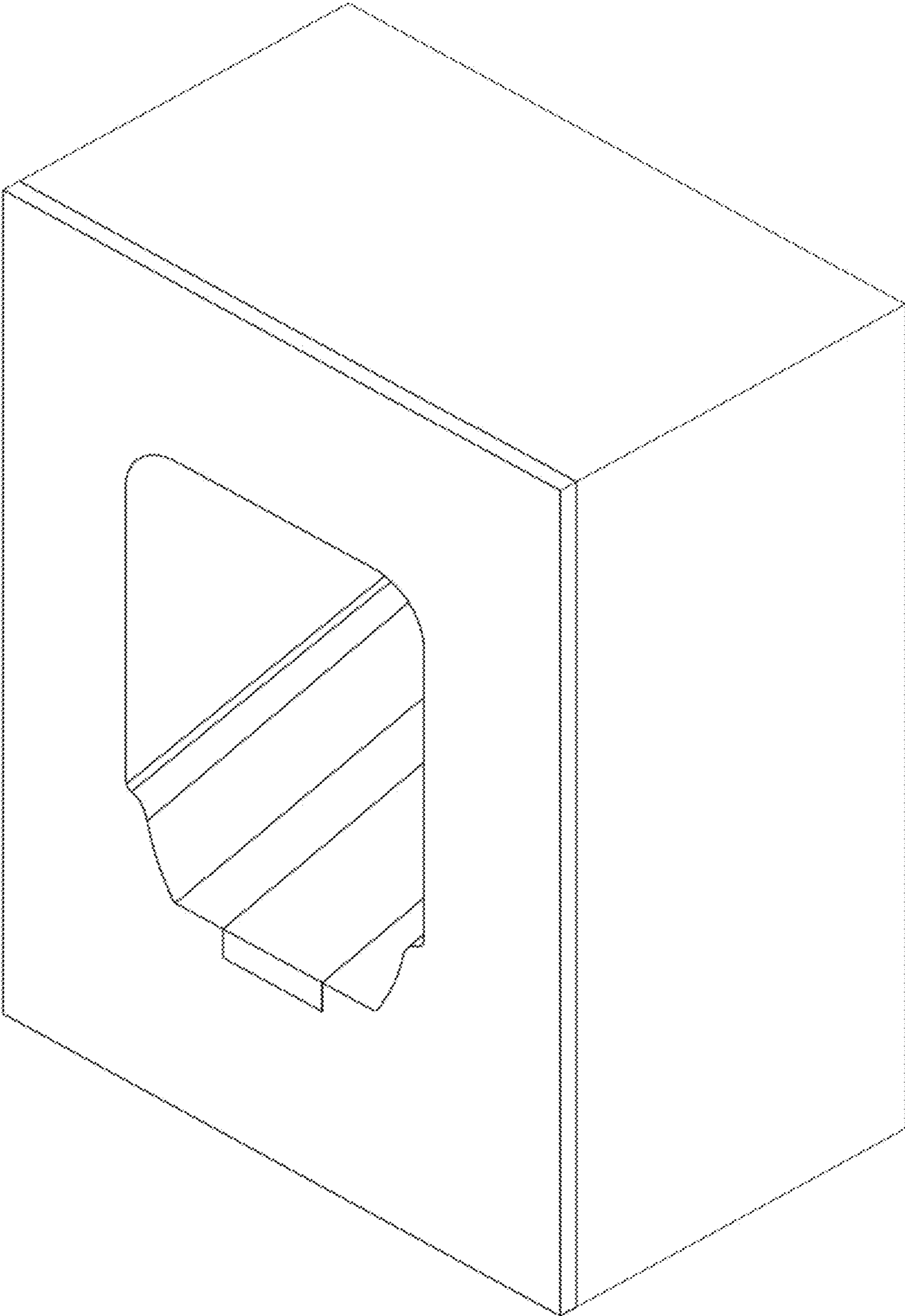
USPC ..... D14/300–302, 313, 314, 341, 348–370, D14/383, 385, 432, 436, 496, 125, 135, D14/134, 155, 167, 168, 230, 231, 233, D14/235, 237, 240–242, 299; D10/65, D10/75, 78; D13/103, 149, 162, 184, D13/199; D18/4.4–4.6, 12.1, 56; 361/679.31–679.45, 752; 711/100, 115; 382/115, 124; 356/71; 235/380, 461, 235/382, 472.01, 472.02; D3/201, 273  
CPC ..... G06K 9/00006; G06K 7/0013; G06K 9/00026; G06F 21/00; G06Q 30/00  
See application file for complete search history.

**DESCRIPTION**

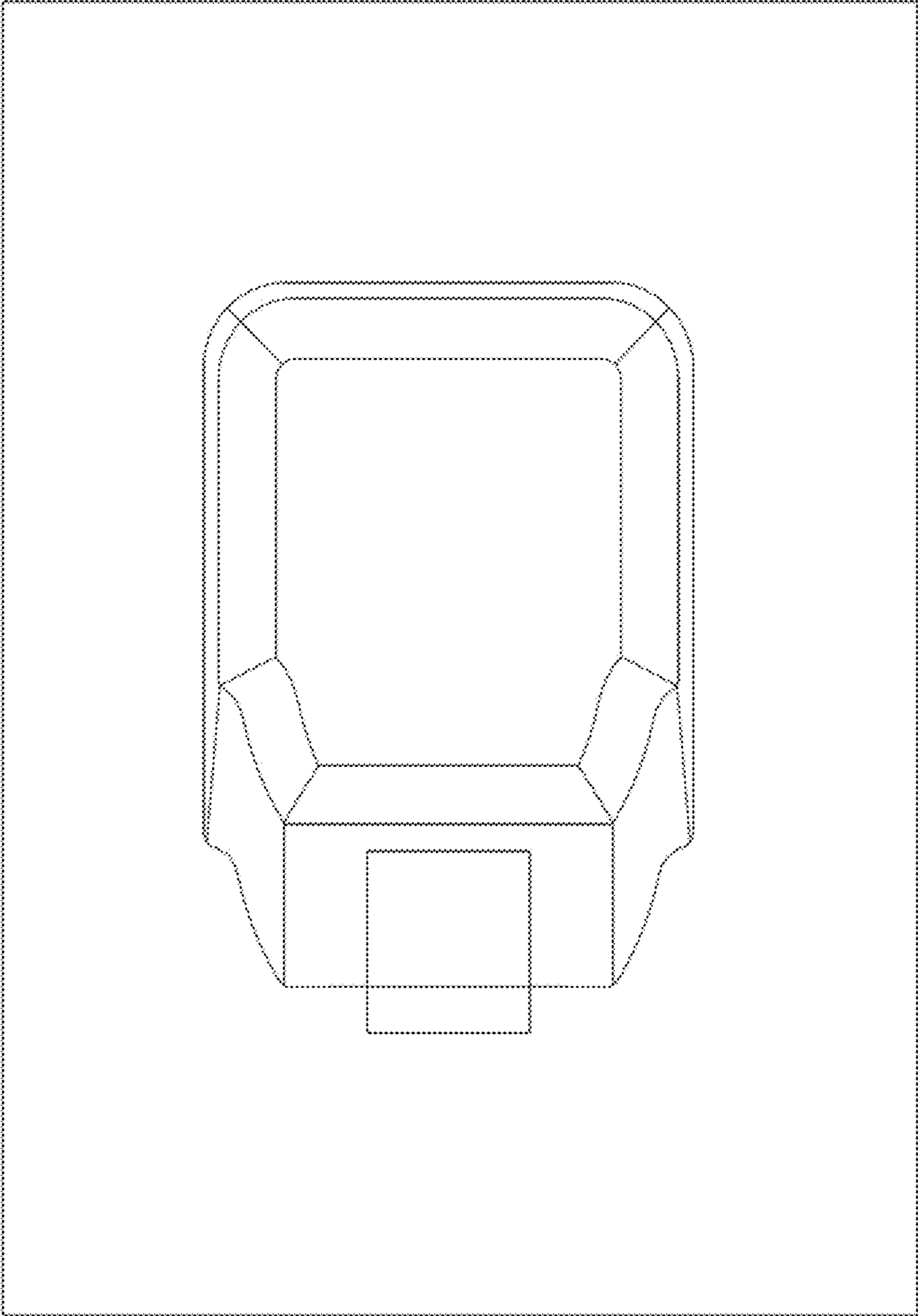
FIG. 1 is a front right perspective view the finger vein input unit, showing my design;  
FIG. 2 is a front plan view thereof;  
FIG. 3 is a rear plan view thereof;  
FIG. 4 is a right plan view thereof;  
FIG. 5 is a left plan view thereof;  
FIG. 6 is a top plan view thereof; and,  
FIG. 7 is a bottom plan view thereof.

**1 Claim, 6 Drawing Sheets**

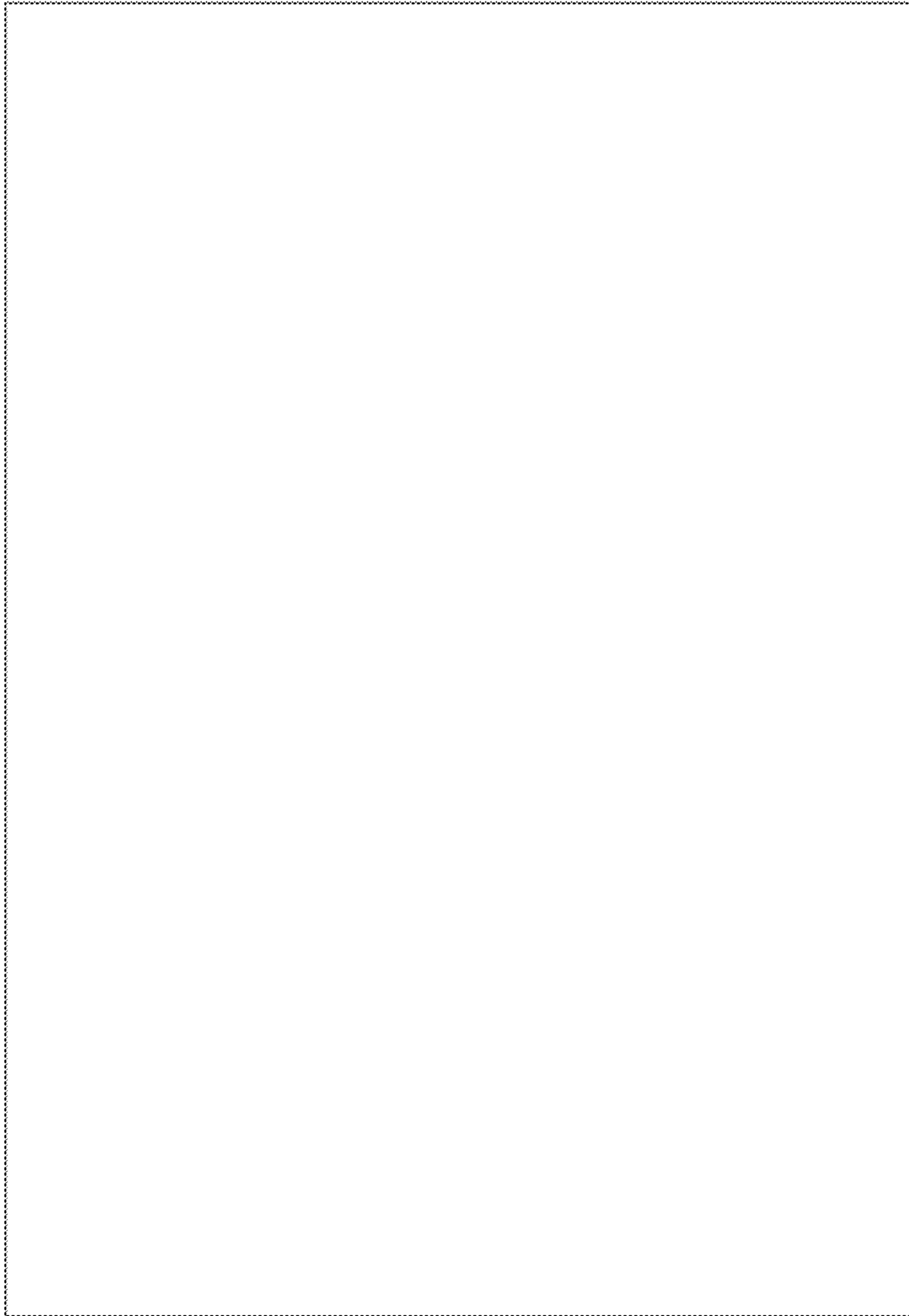




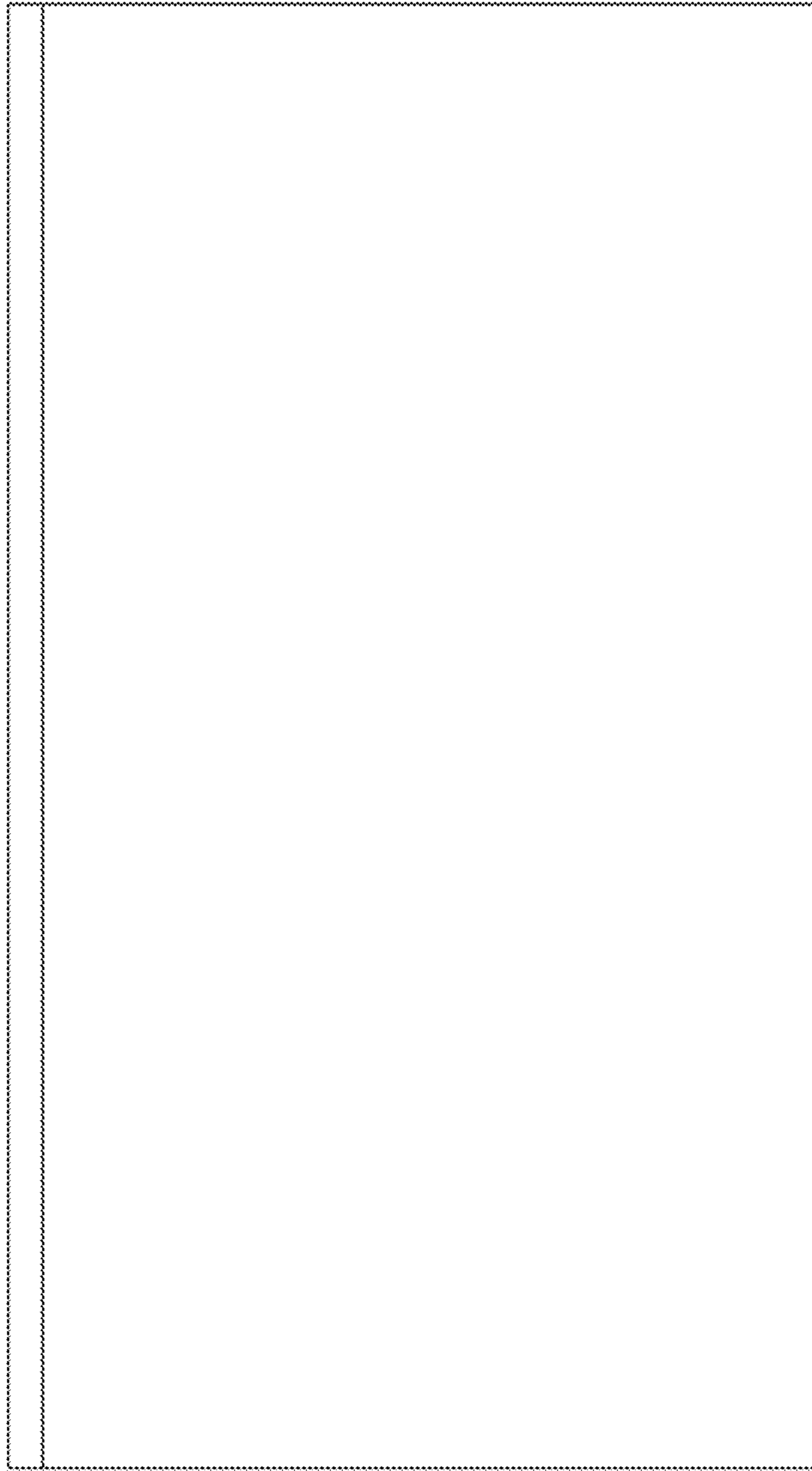
**FIG. 1**



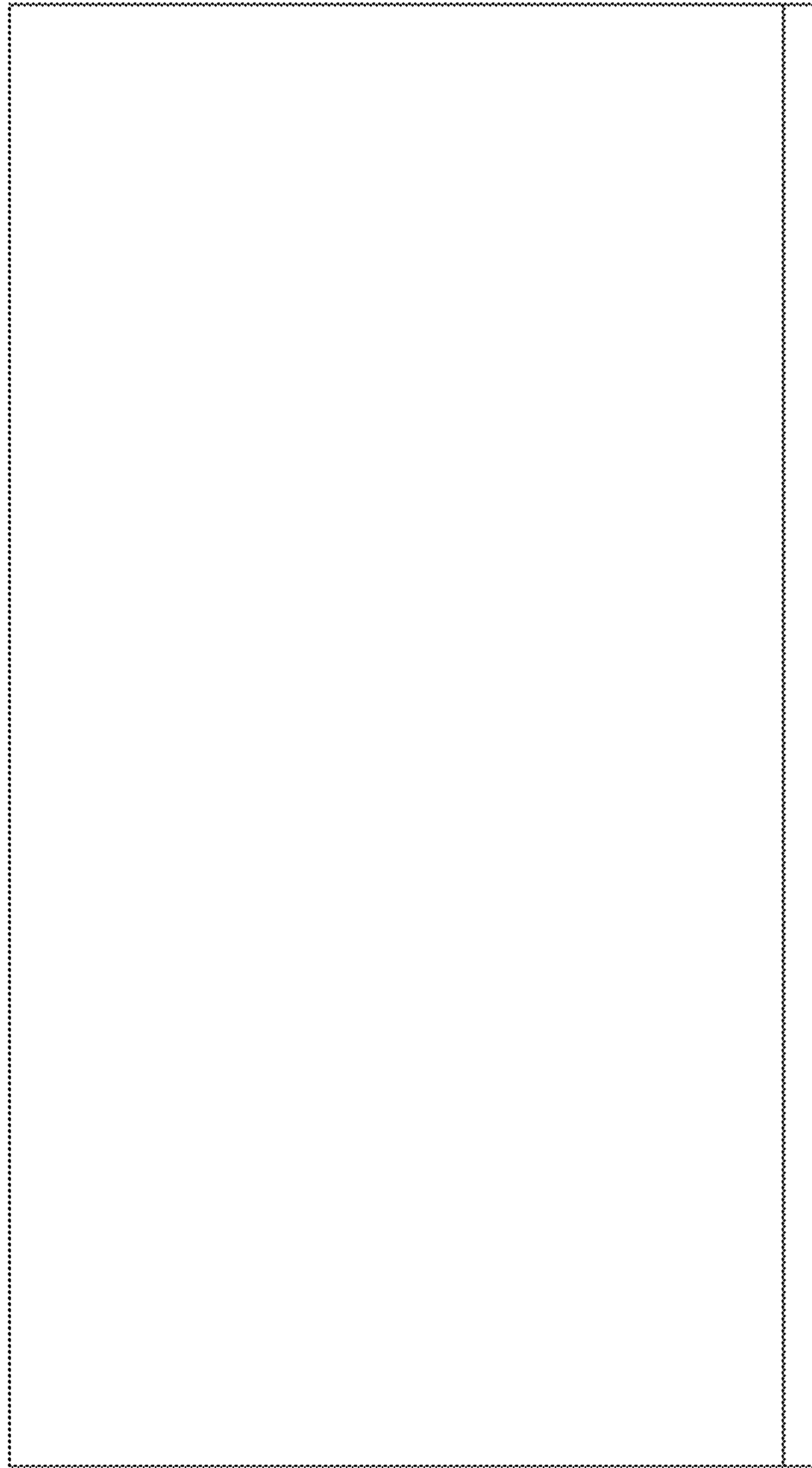
**FIG. 2**



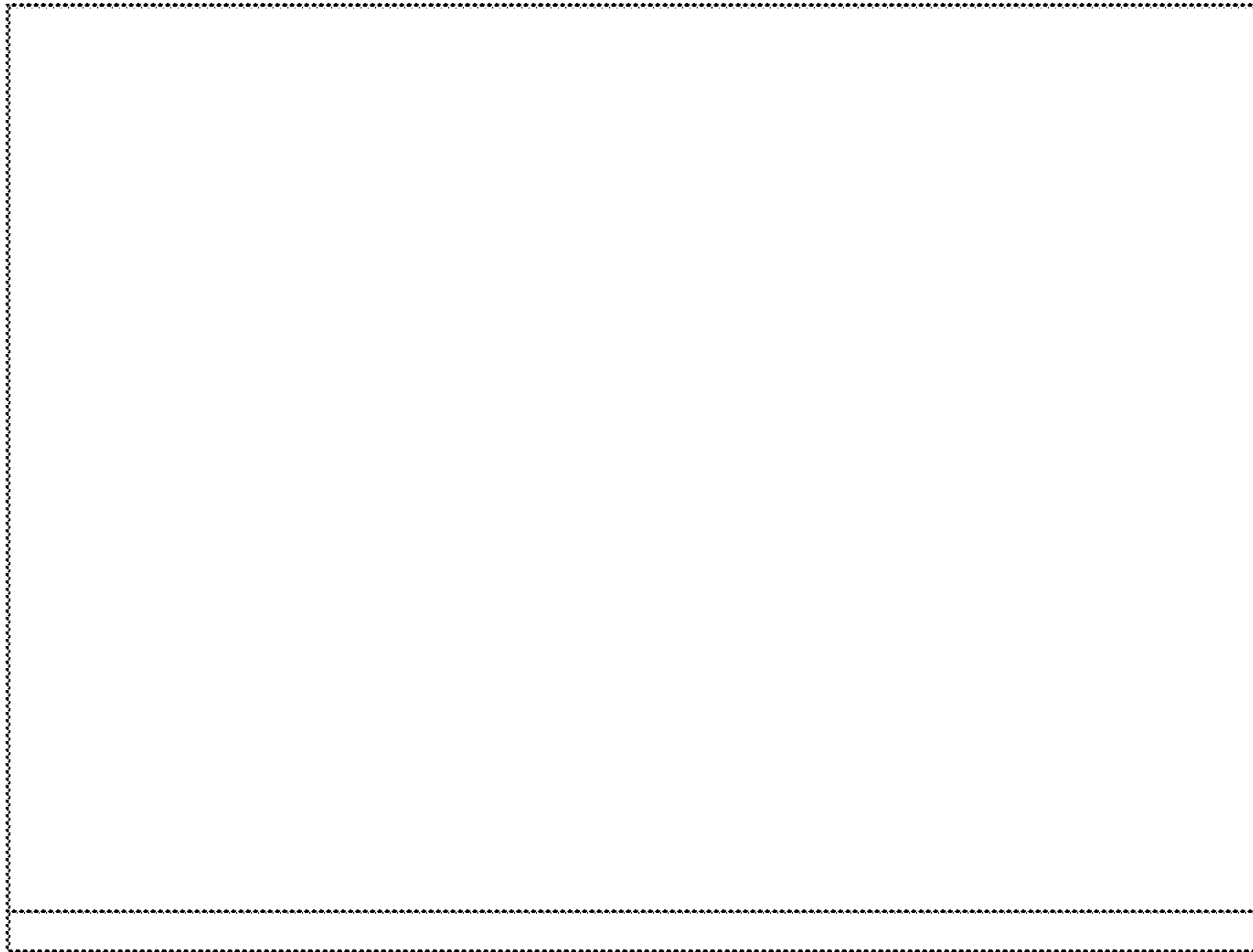
**FIG. 3**



**FIG. 4**



**FIG. 5**



**FIG. 6**



**FIG. 7**