



US00D894181S

(12) **United States Design Patent**  
**Kitakami**

(10) **Patent No.:** **US D894,181 S**

(45) **Date of Patent:** **\*\* Aug. 25, 2020**

(54) **HEAD-MOUNTED ATTACHMENT MEMBER FOR DISPLAY**

(71) Applicant: **CANON KABUSHIKI KAISHA**,  
Tokyo (JP)

(72) Inventor: **Marina Kitakami**, Tokyo (JP)

(73) Assignee: **Canon Kabushiki Kaisha**, Tokyo (JP)

(\*\*) Term: **15 Years**

(21) Appl. No.: **29/687,044**

(22) Filed: **Apr. 10, 2019**

(30) **Foreign Application Priority Data**

Oct. 11, 2018 (JP) ..... 2018-022295

(51) **LOC (12) Cl.** ..... **14-02**

(52) **U.S. Cl.**  
USPC ..... **D14/372**

(58) **Field of Classification Search**  
USPC ..... D14/372, 496, 432, 371, 125, 126, 129,  
D14/299; D16/300-342; 351/158, 153,  
351/144; 345/7-9, 905; 455/344;  
348/115, 53, 121, 739  
CPC ..... G02B 27/017; G02B 27/0158; G02B  
27/0161; G02B 27/0181; G02B 27/0185;  
G02B 27/0189

See application file for complete search history.

(56) **References Cited**

**U.S. PATENT DOCUMENTS**

D762,330 S \* 7/2016 Floyd, Jr. .... D2/894  
D770,145 S \* 11/2016 Aimone ..... D2/875  
D798,863 S \* 10/2017 Li ..... D14/372  
D828,836 S \* 9/2018 Ellis ..... D14/372  
D830,341 S \* 10/2018 Yokozeki ..... D14/210  
D848,420 S \* 5/2019 Boger ..... D14/372

D862,467 S \* 10/2019 Chen ..... D14/372  
D862,468 S \* 10/2019 Chen ..... D14/372  
D865,762 S \* 11/2019 Lau ..... D14/372  
D875,161 S \* 2/2020 Kawa ..... D16/208  
D881,188 S \* 4/2020 Huang ..... D14/372  
D881,879 S \* 4/2020 Keller ..... D14/372

**OTHER PUBLICATIONS**

Copending, unpublished U.S. Appl. No. 29/687,043 to Marina Kitakami, filed Apr. 10, 2019.

\* cited by examiner

*Primary Examiner* — Austin Murphy

(74) *Attorney, Agent, or Firm* — Venable LLP

(57) **CLAIM**

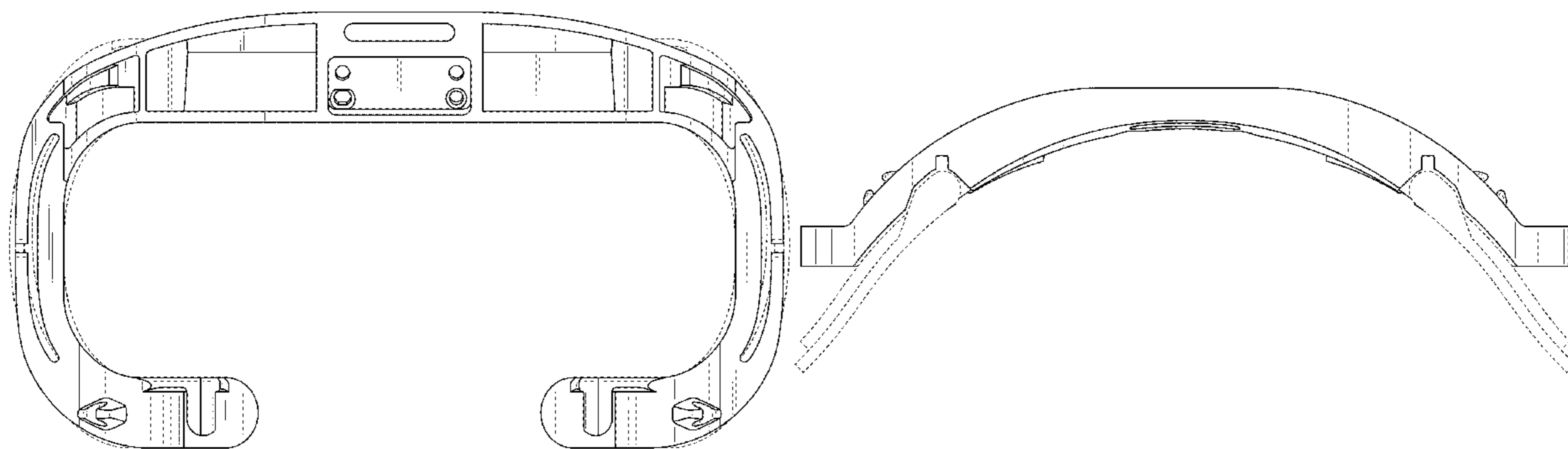
The ornamental design for a head-mounted attachment member for display, as shown and described.

**DESCRIPTION**

FIG. 1 is a front view of a head-mounted attachment member for display showing my new design;  
FIG. 2 is a rear view thereof;  
FIG. 3 is a top plan view thereof;  
FIG. 4 is a bottom plan view thereof;  
FIG. 5 is a left side view thereof;  
FIG. 6 is a right side view thereof;  
FIG. 7 is a perspective view thereof;  
FIG. 8 is a reference view showing an example of the usage of the subject design; and,  
FIG. 9 is another reference view showing an example of the usage of the subject design.

The broken lines depict portions of the head-mounted attachment member for display that form no part of the claimed design. FIGS. 8-9 show environmental structure only and form no part of the claimed design.

**1 Claim, 8 Drawing Sheets**



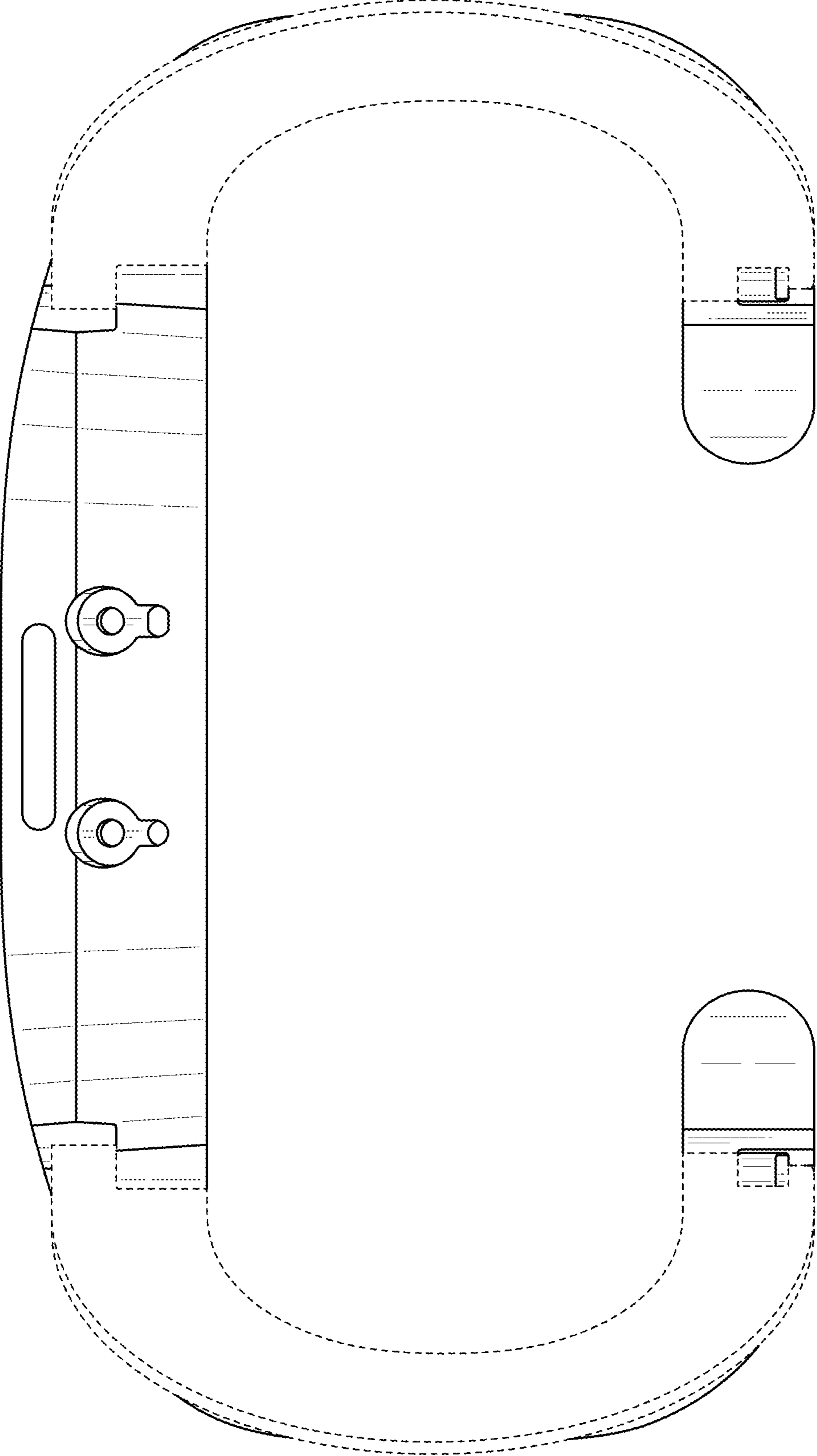


FIG. 1

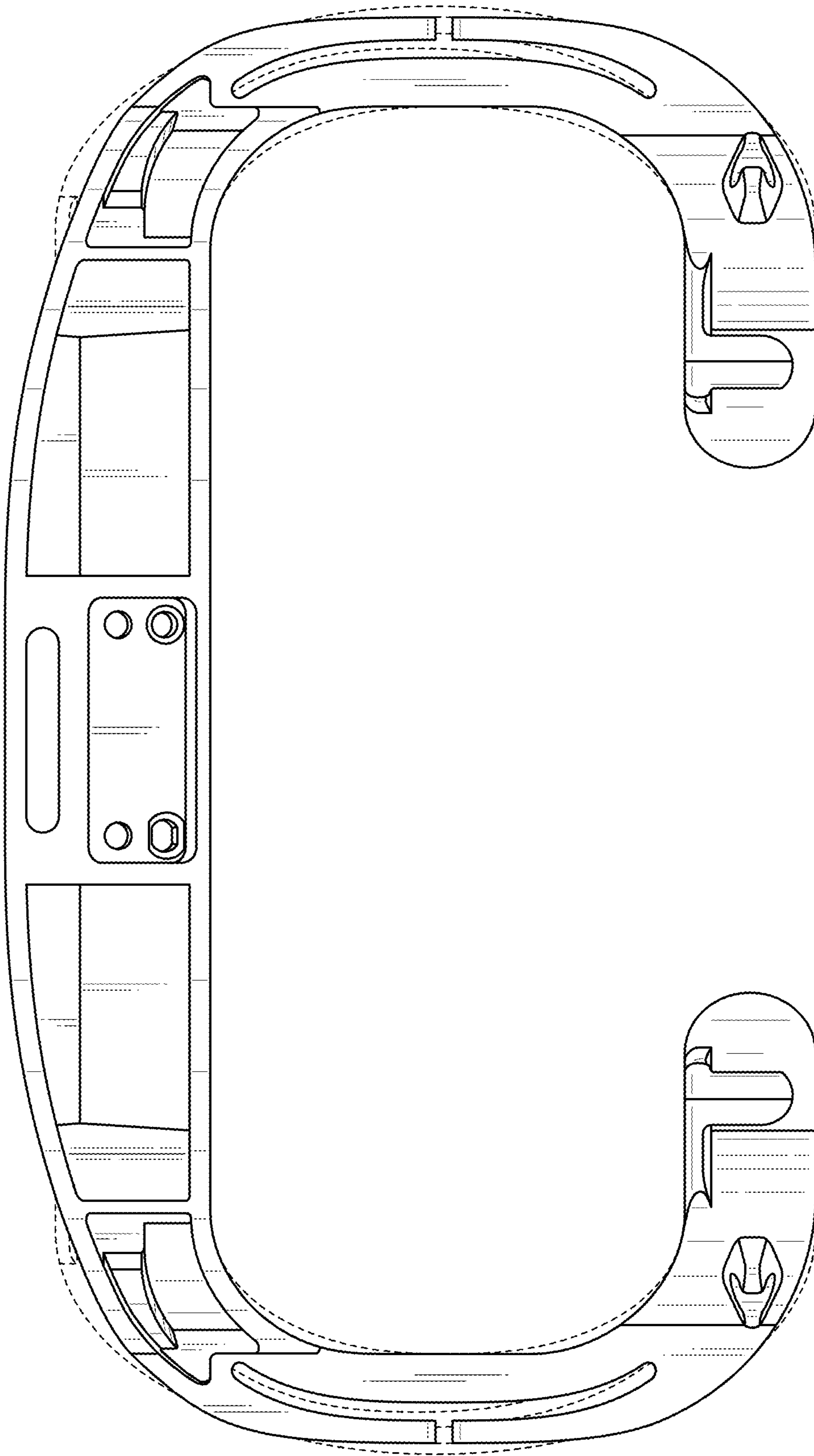


FIG. 2

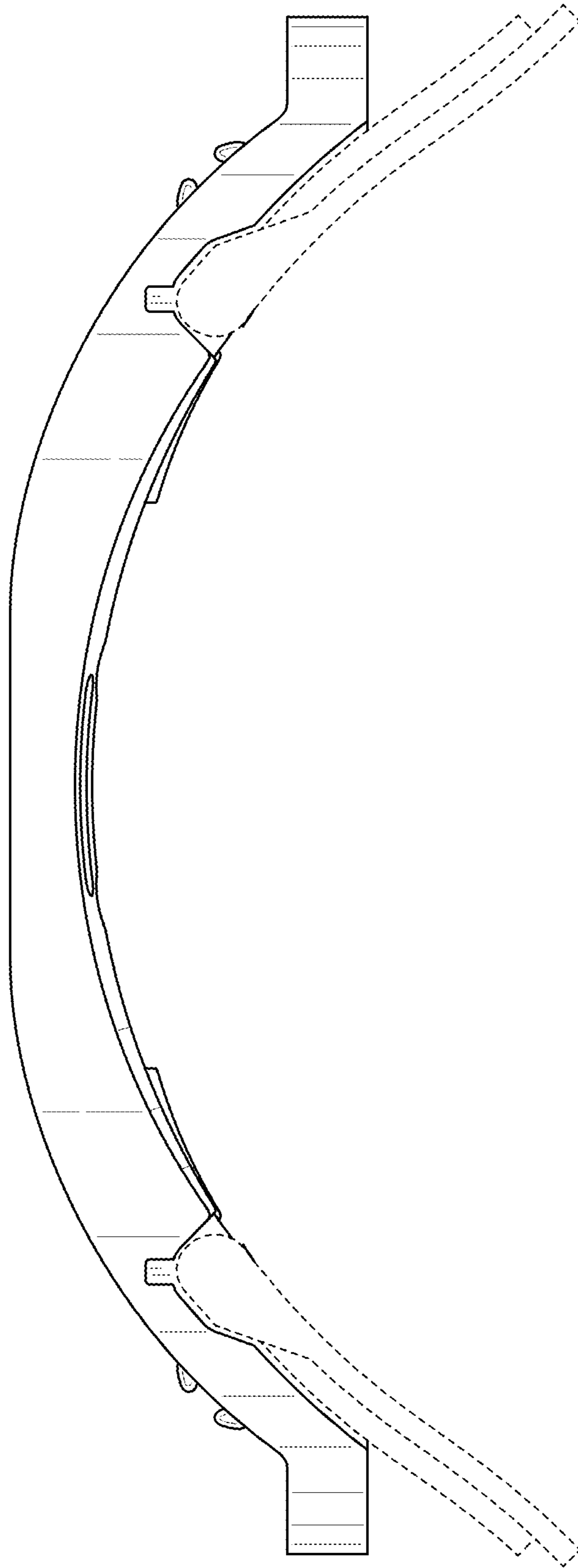


FIG. 3

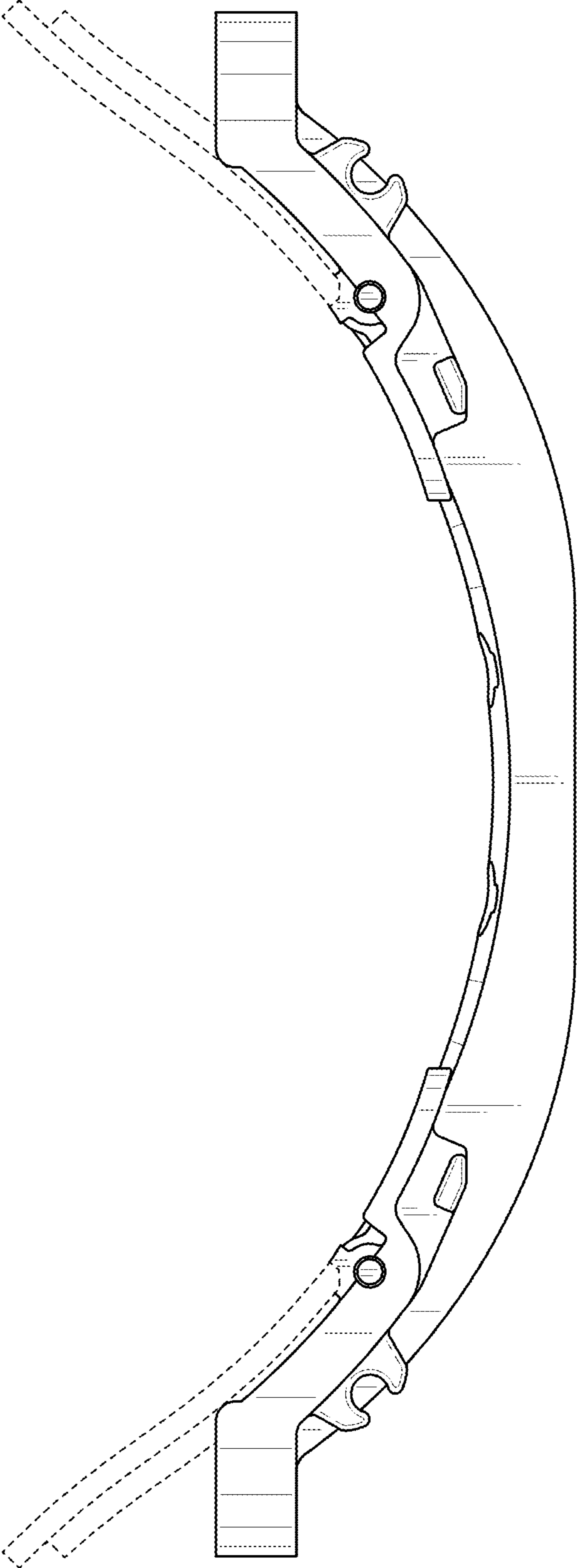


FIG. 4

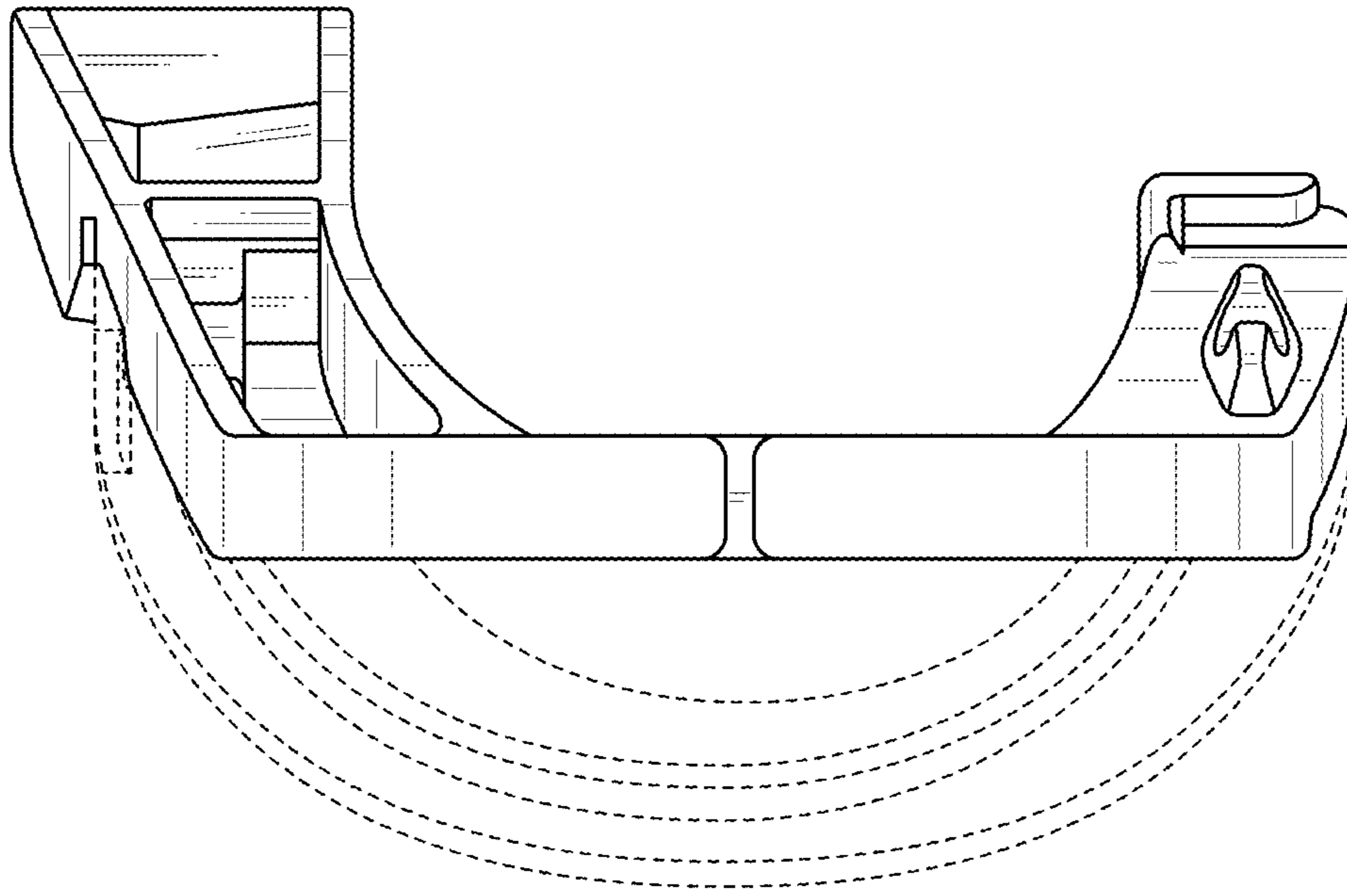


FIG. 6

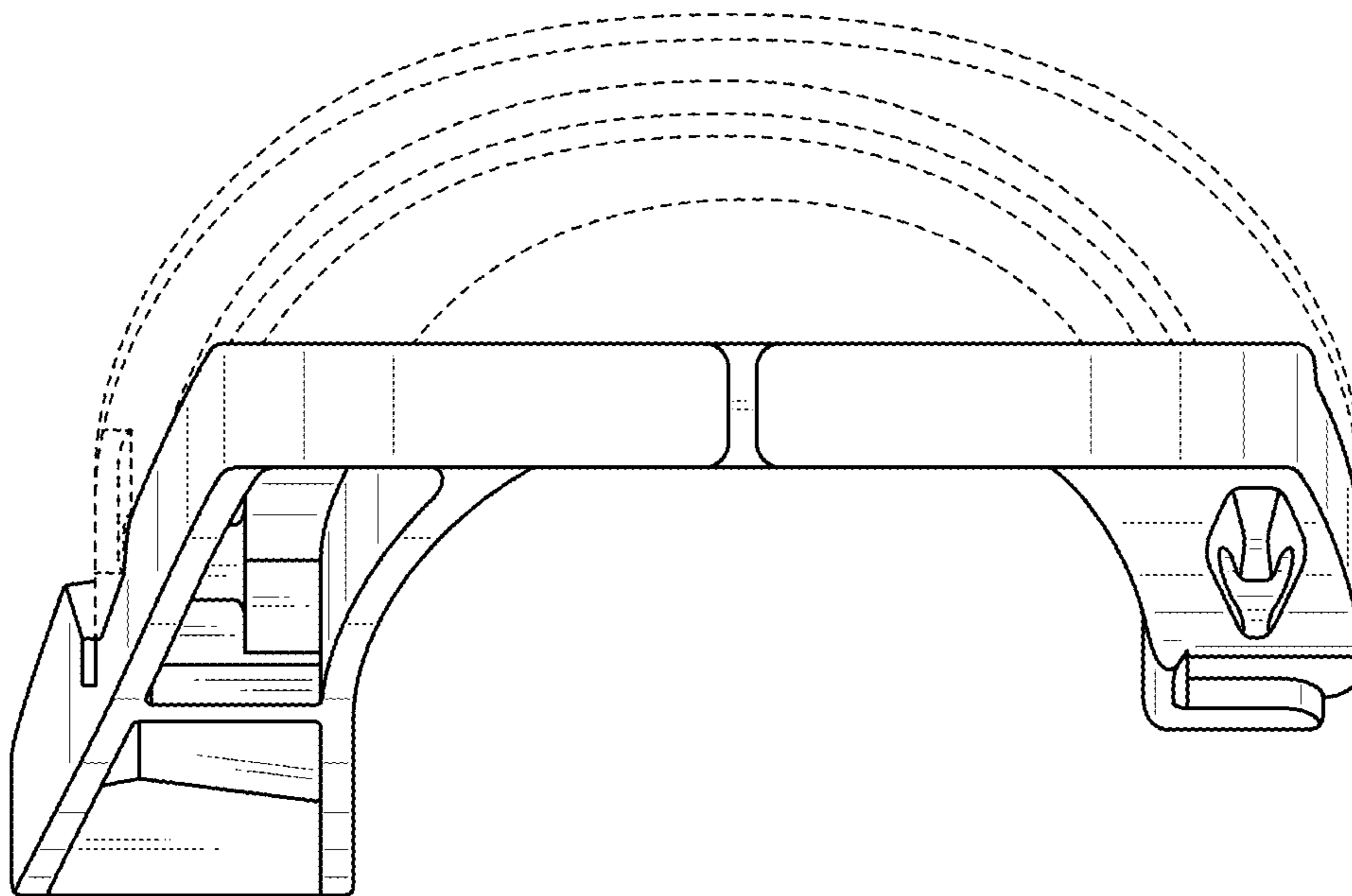


FIG. 5

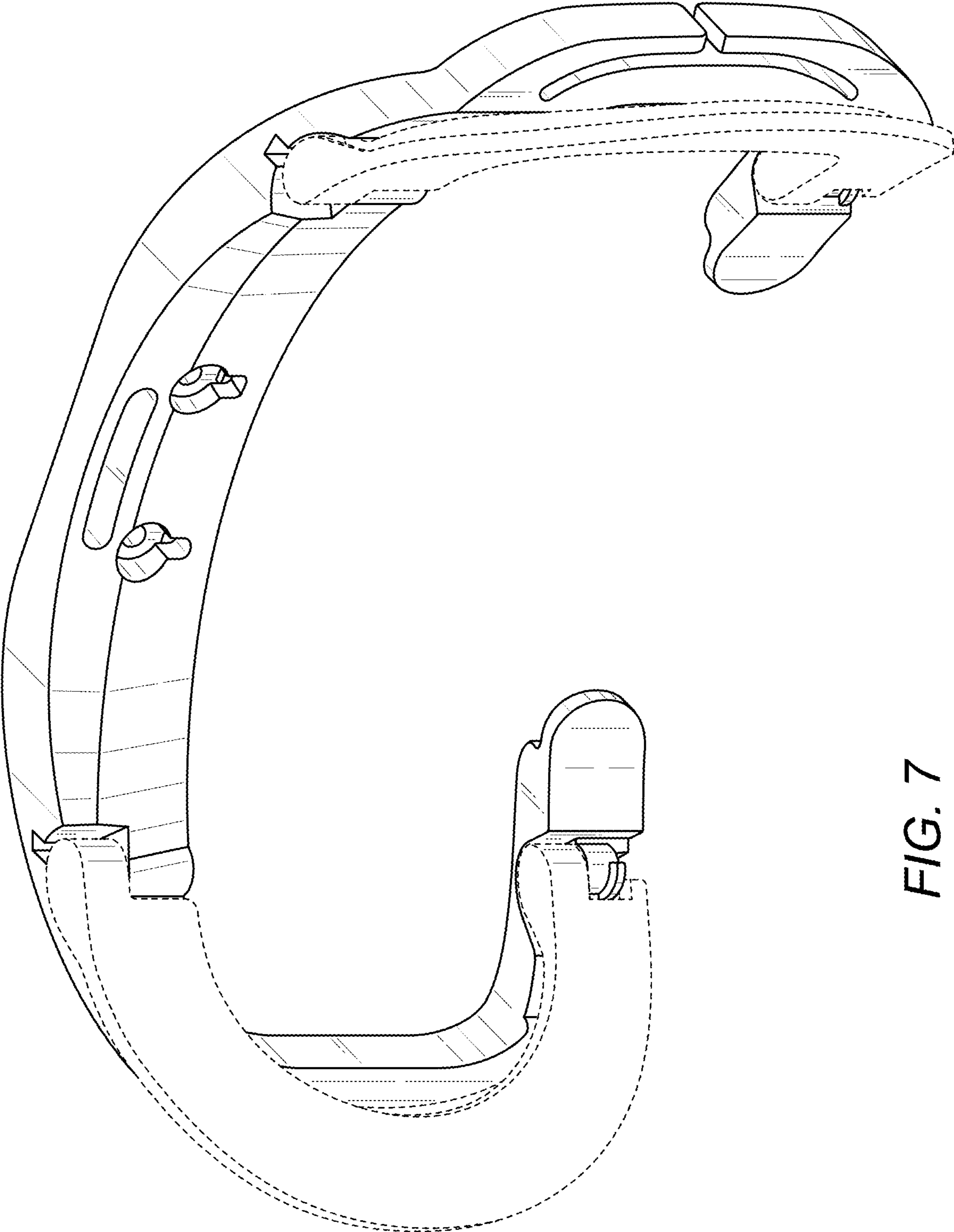


FIG. 7

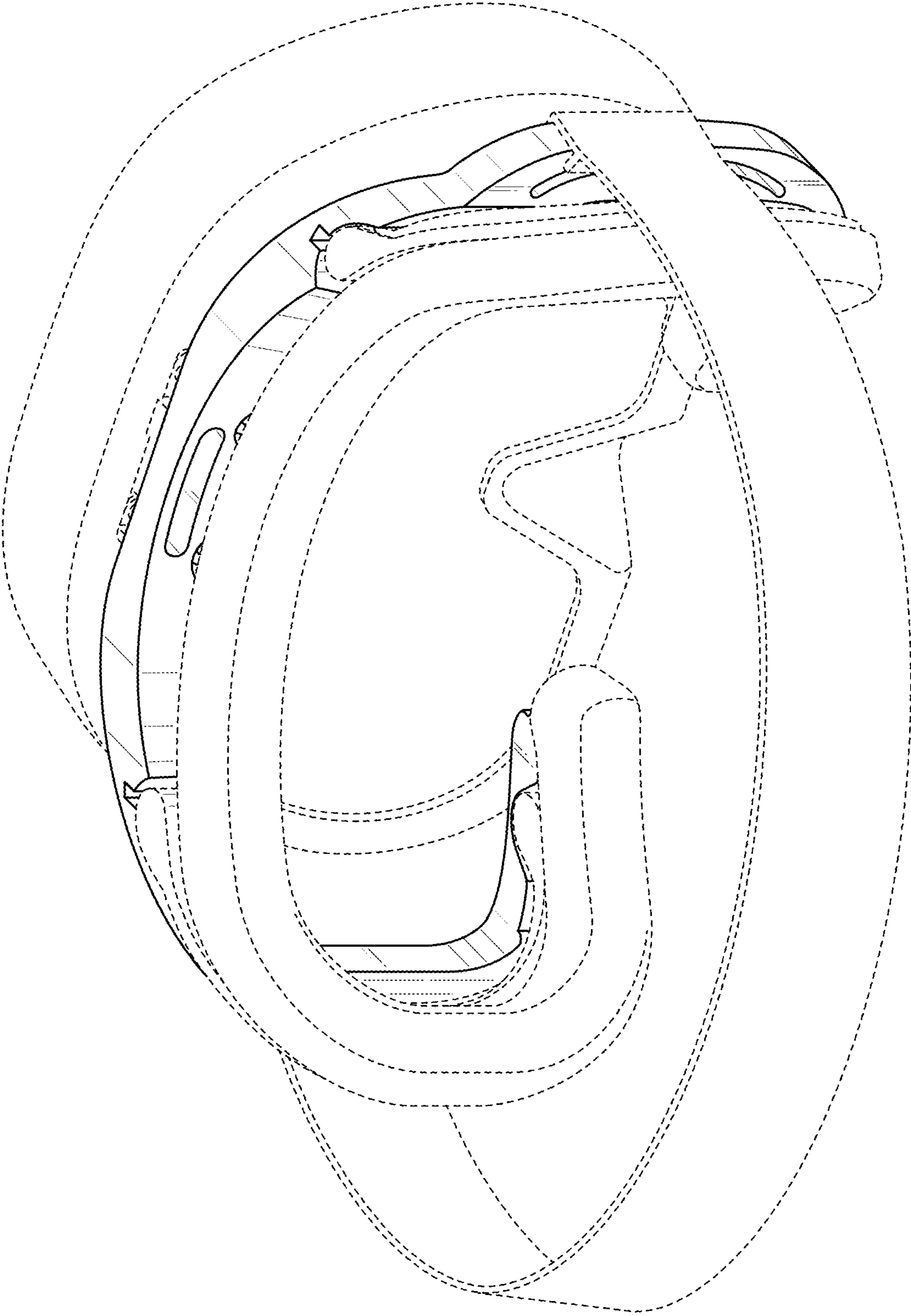


FIG. 8



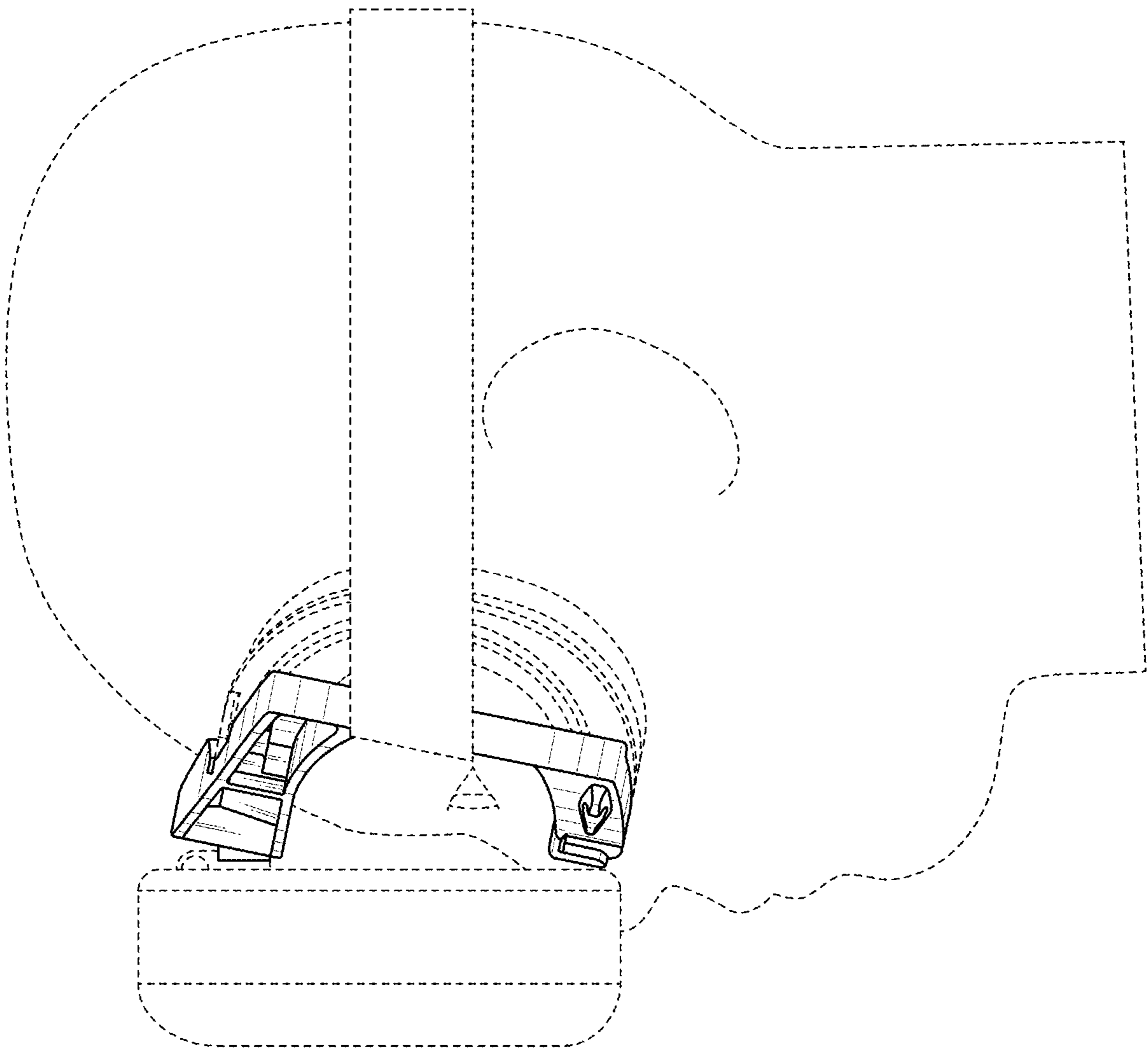


FIG. 9