



US00D894179S

(12) **United States Design Patent** (10) **Patent No.:** **US D894,179 S**
Chung et al. (45) **Date of Patent:** **** Aug. 25, 2020**

(54) **PORTABLE ELECTRONIC DEVICE**

(71) Applicant: **Samsung Electronics Co., Ltd.**,
Suwon-si (KR)

(72) Inventors: **Insik Chung**, Suwon-si (KR); **Sanhui Oh**, Suwon-si (KR); **Kwangha Choi**, Suwon-si (KR); **Jaehyung Hong**, Suwon-si (KR)

(73) Assignee: **Samsung Electronics Co., Ltd.**,
Suwon-si (KR)

(**) Term: **15 Years**

(21) Appl. No.: **29/688,732**

(22) Filed: **Apr. 24, 2019**

(30) **Foreign Application Priority Data**

Jan. 23, 2019 (KR) 30-2019-0003443

(51) **LOC (12) Cl.** **14-02**

(52) **U.S. Cl.**
USPC **D14/344**

(58) **Field of Classification Search**
USPC ... D14/138 R, 144, 341, 344, 358, 388, 218,
D14/485-495; D10/30-39, 70, 98;
(Continued)

(56) **References Cited**

U.S. PATENT DOCUMENTS

D349,257 S * 8/1994 Polenberg D11/3
D604,643 S * 11/2009 Ahlstrom D10/31
(Continued)

OTHER PUBLICATIONS

RUNDOING Smart Watch for Android Phones, 1.3 Inch Color Screen Fitness Tracker Activity Tracker, Heart Rate Monitor Fitness Watch,Compatible with iOS and Android, posted Jul. 31, 2019,

[retrieved Jun. 11, 2020]. Retrieved from Internet, <URL: <https://www.amazon.com/dp/B07VTMH1NY/> >.*

(Continued)

Primary Examiner — Eric L Goodman
Assistant Examiner — Kristin E Reed
(74) *Attorney, Agent, or Firm* — NSIP Law

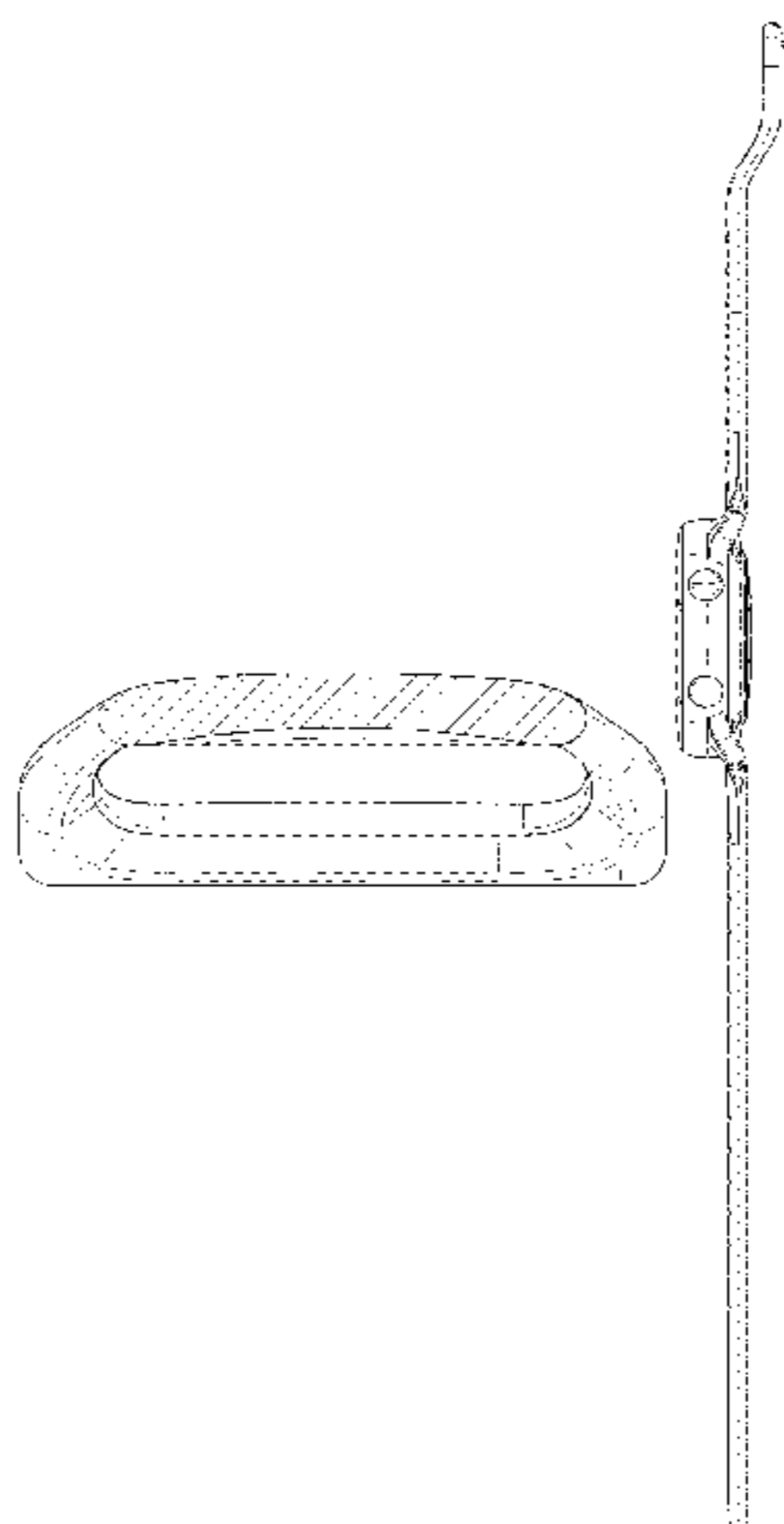
(57) **CLAIM**

We claim the ornamental design for a portable electronic device, as shown and described.

DESCRIPTION

FIG. 1 is a front perspective view of a portable electronic device showing our new design according to a first embodiment;
FIG. 2 is a front view thereof;
FIG. 3 is a rear view thereof;
FIG. 4 is a left-side view thereof;
FIG. 5 is a right-side view thereof;
FIG. 6 is a top view thereof;
FIG. 7 is a bottom view thereof;
FIG. 8 is a rear perspective view thereof;
FIG. 9 is an enlarged cross-sectional view thereof taken through line 9-9 in FIG. 2;
FIG. 10 is an enlarged cross-sectional view thereof taken through line 10-10 in FIG. 2;
FIG. 11 is a front perspective view of a portable electronic device showing our new design according to a second embodiment;
FIG. 12 is a front view thereof;
FIG. 13 is a rear view thereof;
FIG. 14 is a left-side view thereof;
FIG. 15 is a right-side view thereof;
FIG. 16 is a top view thereof;
FIG. 17 is a bottom view thereof;
FIG. 18 is a rear perspective view thereof;
FIG. 19 is an enlarged cross-sectional view thereof taken through line 19-19 in FIG. 12; and,
FIG. 20 is an enlarged cross-sectional view thereof taken through line 20-20 in FIG. 12.

(Continued)



The broken lines in the figures depict portions of the portable electronic device which form no part of the claimed design.

1 Claim, 16 Drawing Sheets

(58) **Field of Classification Search**

USPC D11/3, 4, 26, 93–94, 78.1, 79, 86;
 D24/167, 169, 186–187, 164
 CPC A41D 1/002; A41D 19/0034; G04G 17/00;
 G04G 17/02; G04G 17/08; G04G 17/083;
 G04G 17/086; G04C 3/00; G04C 3/001;
 G04C 3/002; G04C 3/004; G04C 3/005;
 G04C 3/007; G04C 17/00; G04C 23/02;
 G04C 23/04; G04B 3/04; G04B 19/24;
 G04B 19/26; G04B 37/00; G04B
 45/0069; G04B 47/04; G04B 37/0008;
 G04B 37/0058; G04B 37/12; G04B
 37/18; G04B 45/00; G04B 47/00; G04B
 47/042; G04B 47/06; G04B 47/063

See application file for complete search history.

(56) **References Cited**

U.S. PATENT DOCUMENTS

9,257,740 B2 * 2/2016 Lyons H01Q 1/273
 D768,623 S * 10/2016 Zou D10/39
 D773,319 S * 12/2016 Basargin D10/38

D773,944 S * 12/2016 Wang D10/30
 9,772,605 B2 * 9/2017 Shim A61B 5/684
 9,841,735 B2 * 12/2017 Yuen G04G 9/0064
 9,859,937 B2 * 1/2018 Chien G04G 17/04
 D813,058 S * 3/2018 Kanikananta D10/32
 D821,227 S * 6/2018 Colman D10/32
 D823,302 S * 7/2018 Yoshimoto D14/344
 D826,406 S * 8/2018 Paschke D24/167
 D836,466 S * 12/2018 Shi D10/32
 10,222,755 B2 * 3/2019 Coakley G04B 3/048
 10,248,227 B2 * 4/2019 Matsuno G01C 22/006
 10,281,883 B2 * 5/2019 Szini G04B 37/12
 D850,317 S * 6/2019 Hinds D11/3
 D861,506 S * 10/2019 Lintz D10/39
 D861,883 S * 10/2019 Verbrugge D24/186
 D874,298 S * 2/2020 Xie D10/32
 D875,555 S * 2/2020 Komulainen D10/32
 2014/0083133 A1 * 3/2014 Lee A44C 5/14
 63/3.1

OTHER PUBLICATIONS

Samsung Galaxy Watch Active (40mm, GPS, Bluetooth), Rose Gold—US Version with Warranty, posted Feb. 21, 2019, [retrieved Jun. 11, 2020]. Retrieved from Internet, <URL: <https://www.amazon.com/Samsung-Galaxy-Watch-Active-40mm/dp/B07NFMNQB/>>.*
 IQ Shield Screen Protector Compatible with Samsung Galaxy Watch Active, posted Jan. 28, 2019, [retrieved Jun. 11, 2020]. Retrieved from Internet, <URL: <https://www.amazon.com/Protector-Compatible-Samsung-LiquidSkin-Anti-Bubble/dp/B07N7S9SMS/>>.*

* cited by examiner

FIG. 1

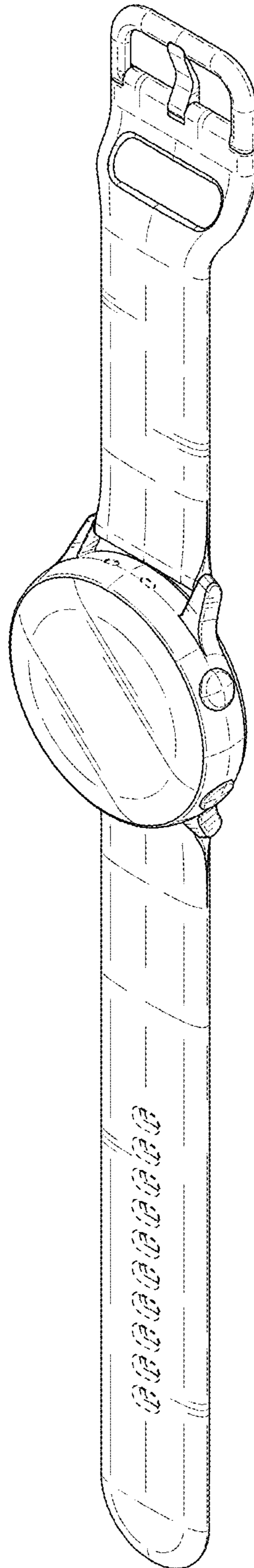


FIG. 2

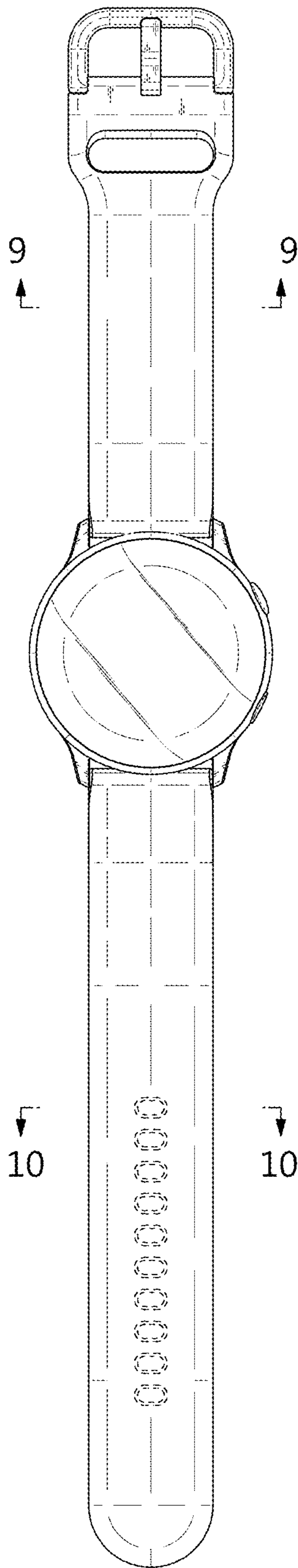


FIG. 3

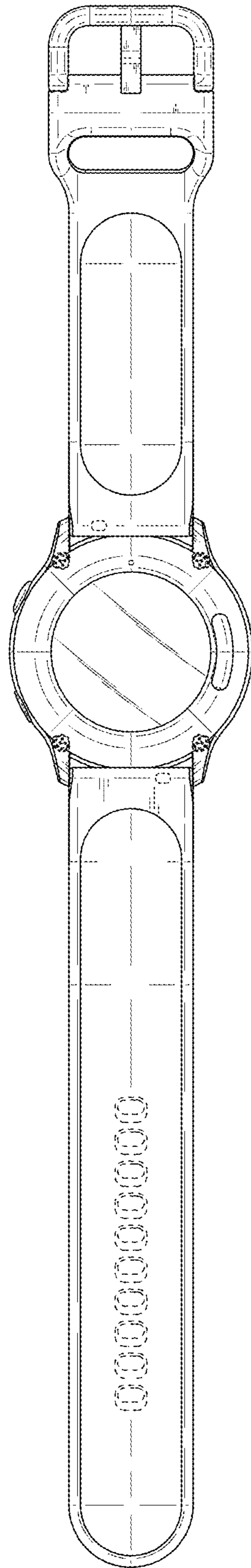


FIG. 4

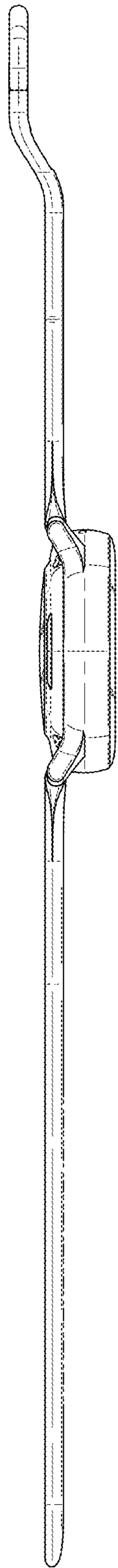


FIG. 5

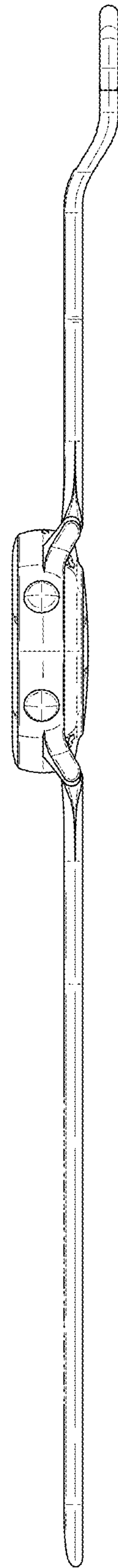


FIG. 6

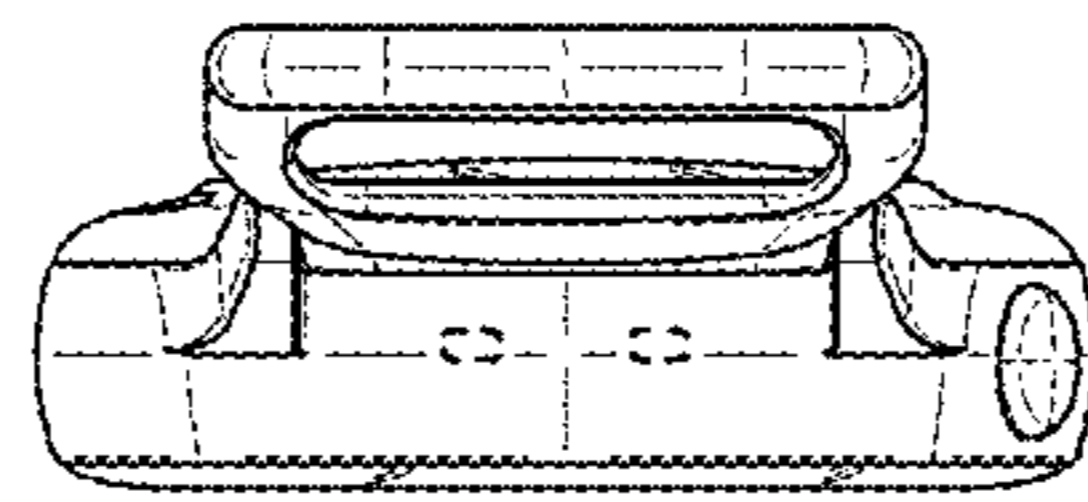


FIG. 7

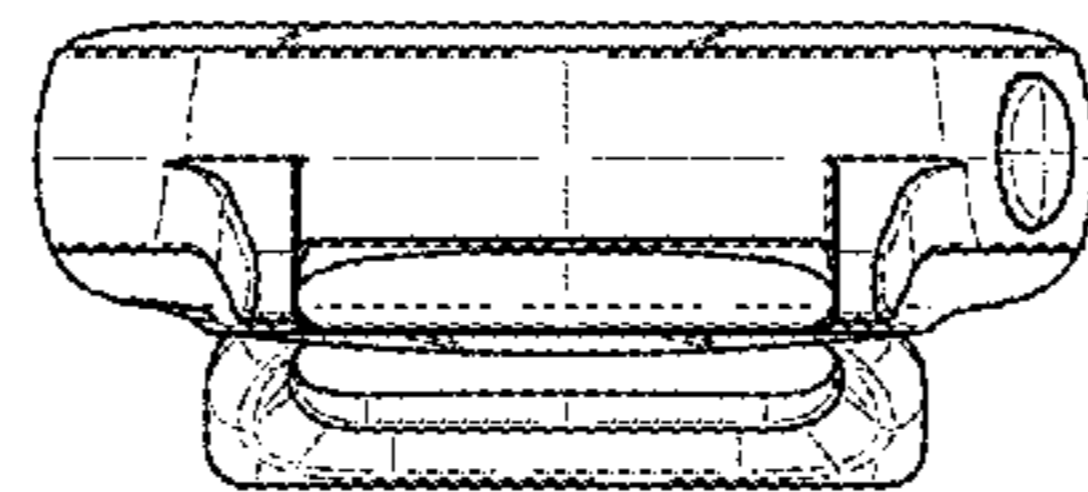


FIG. 8

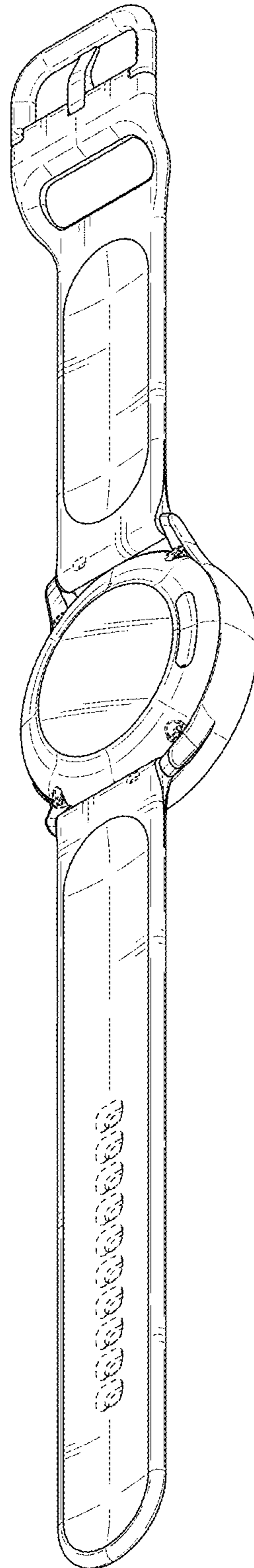


FIG. 9

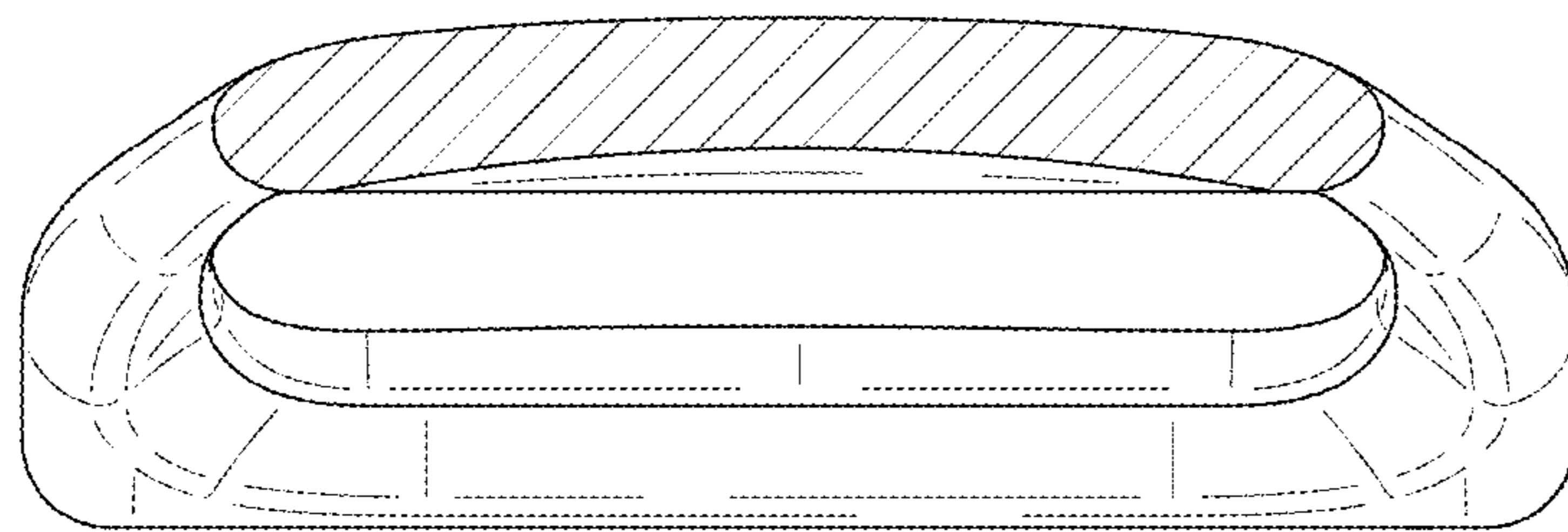


FIG. 10

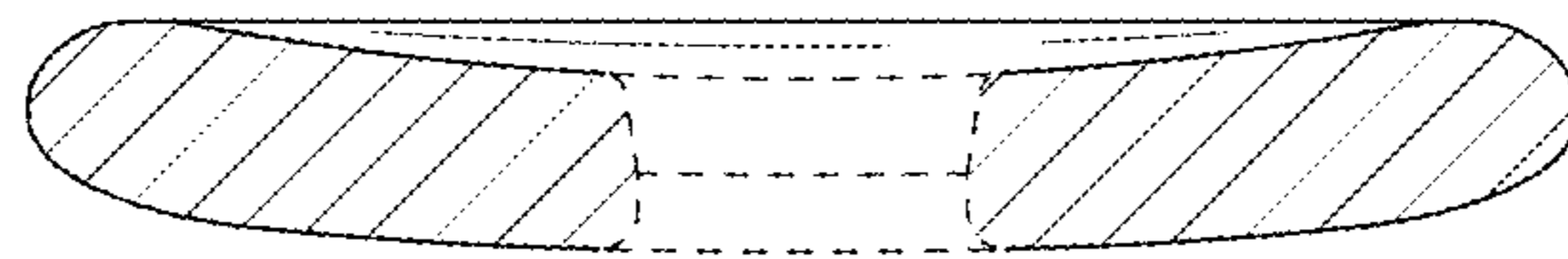


FIG. 11

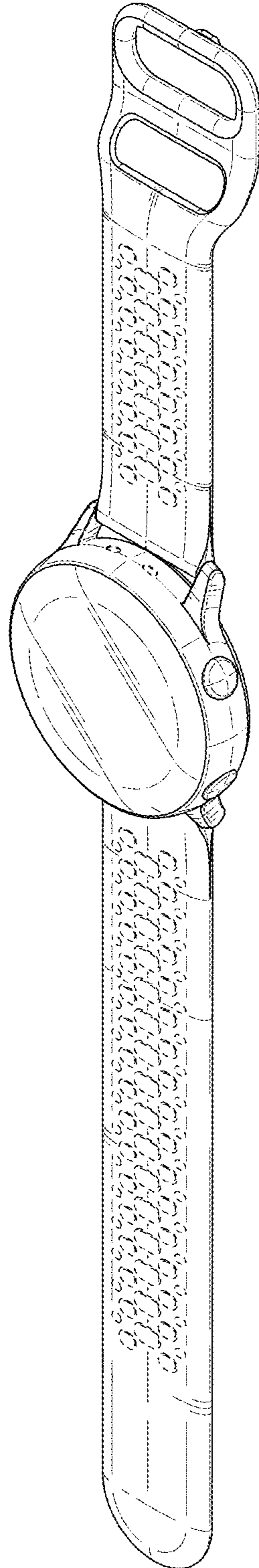


FIG. 12

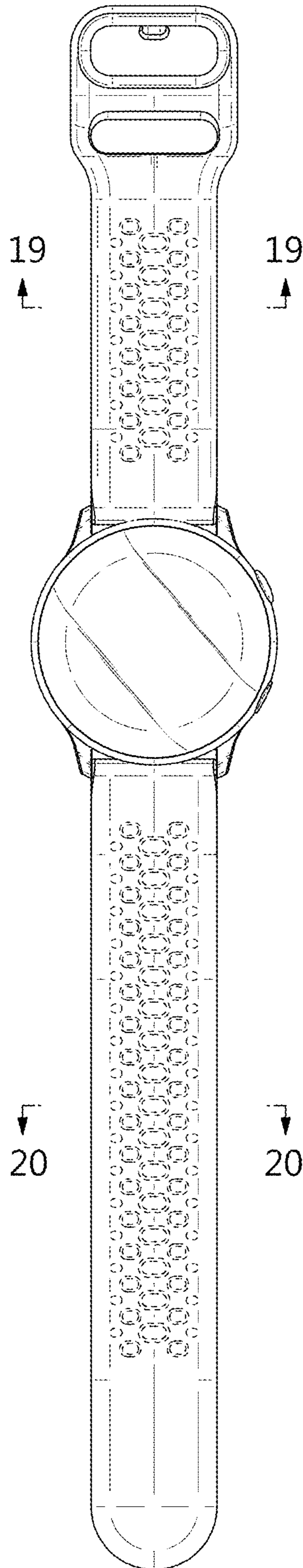


FIG. 13

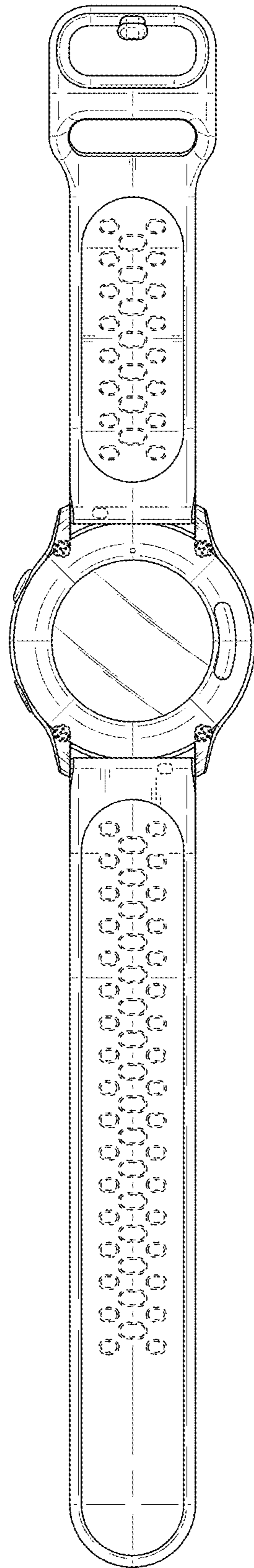


FIG. 14

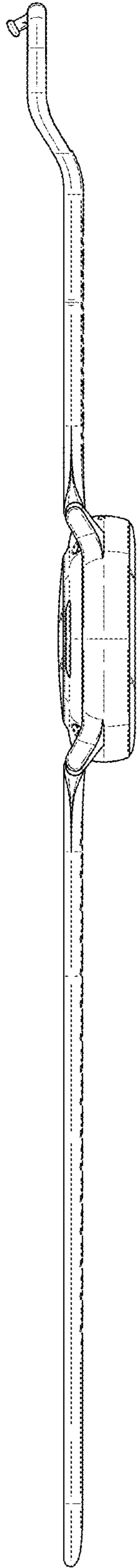


FIG. 15

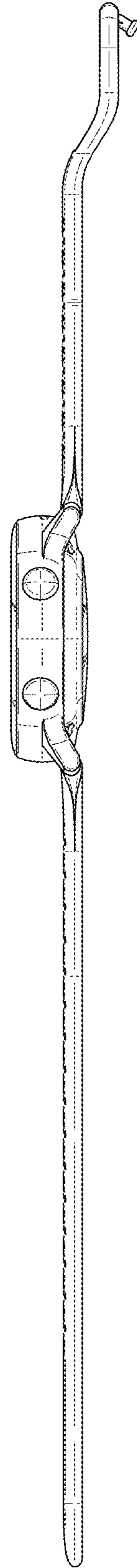


FIG. 16

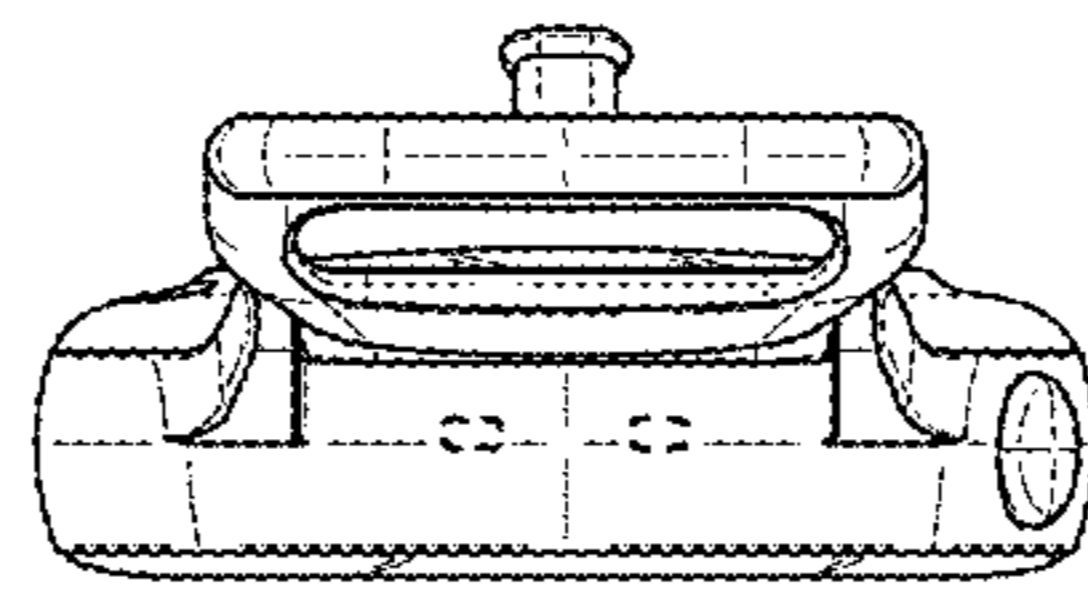


FIG. 17

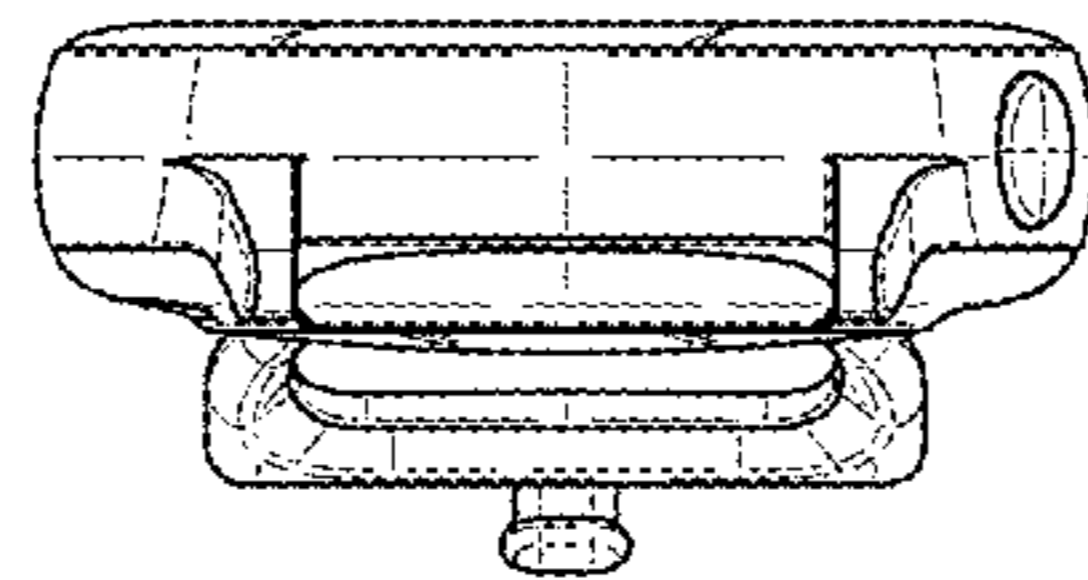


FIG. 18

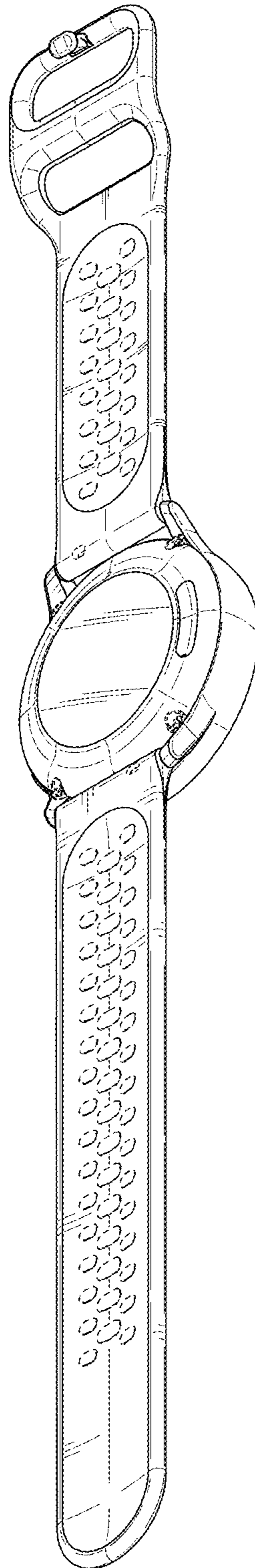


FIG. 19

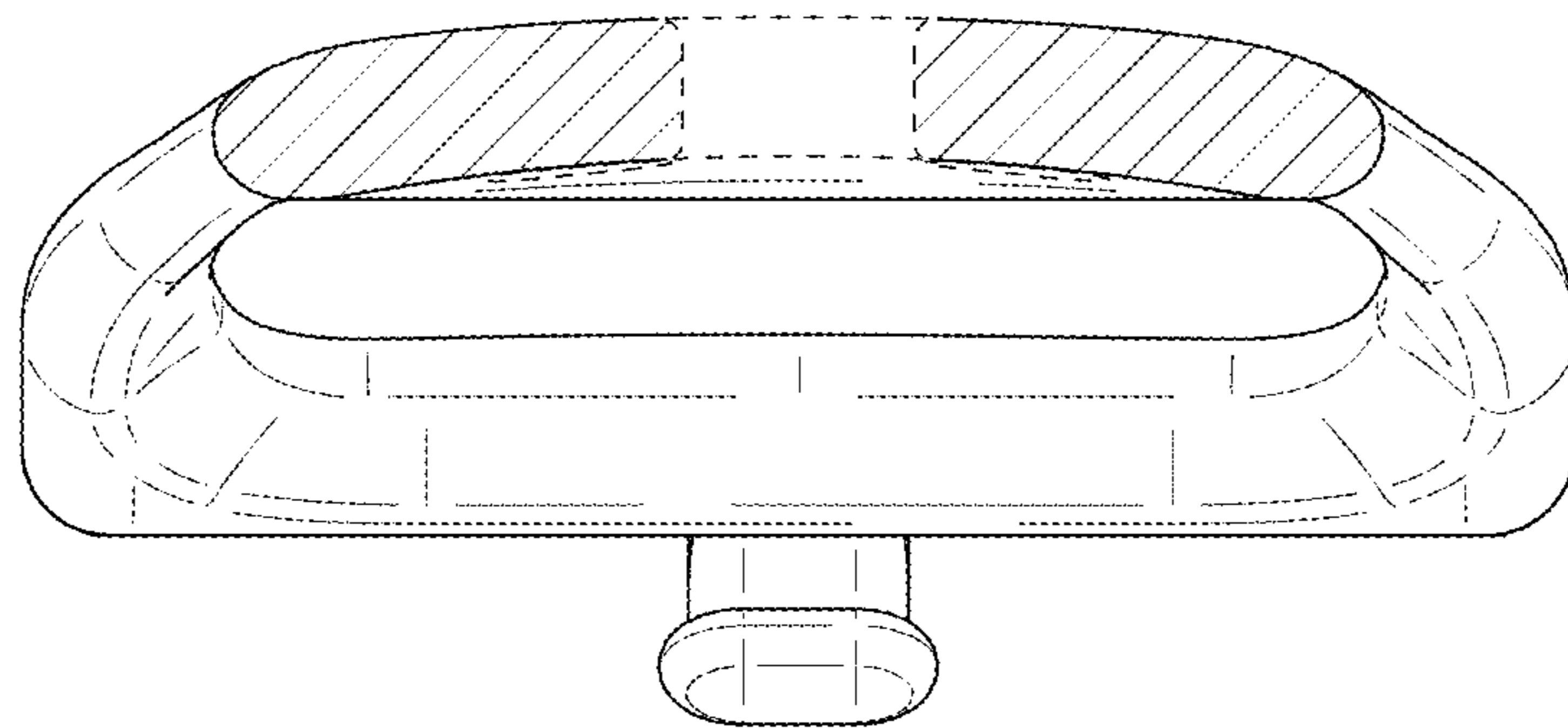


FIG. 20

