



US00D894178S

(12) **United States Design Patent**
Dieterle et al.

(10) **Patent No.:** **US D894,178 S**

(45) **Date of Patent:** **** Aug. 25, 2020**

(54) **INFORMATION HANDLING SYSTEM**

(71) Applicant: **Dell Products L.P.**, Round Rock, TX
(US)

(72) Inventors: **Iven B. Dieterle**, Taipei (TW);
Shang-Zu Hsieh, Yilan (TW);
Eid-Beng Goh, Taipei (TW)

(73) Assignee: **Dell Products L.P.**, Round Rock, TX
(US)

(**) Term: **15 Years**

(21) Appl. No.: **29/640,973**

(22) Filed: **Mar. 19, 2018**

(51) **LOC (12) Cl.** **14-02**

(52) **U.S. Cl.**
USPC **D14/315**

(58) **Field of Classification Search**
USPC D14/315-340, 390, 392, 455-457
CPC G06F 1/1616; G06F 1/1618; G06F 1/162;
G06F 1/1624; G06F 1/1662; G06F
1/1667; H04M 1/0235; H04M 1/0266;
H05K 5/0243

See application file for complete search history.

(56) **References Cited**

U.S. PATENT DOCUMENTS

D669,070 S	*	10/2012	Hsu	D14/341
D686,203 S	*	7/2013	Lee	D14/315
D714,778 S	*	10/2014	Lee	D14/315
D751,543 S	*	3/2016	Chon	D14/315
D767,561 S	*	9/2016	Lin	D14/315
D769,239 S	*	10/2016	Li	D14/315
D781,282 S	*	3/2017	Hsu	D14/315
D794,010 S	*	8/2017	Smith	D14/315

D804,467 S	*	12/2017	Probst	D14/315
D807,343 S		1/2018	Goh et al.		
D813,861 S	*	3/2018	Goh	D14/315
D835,095 S	*	12/2018	Goh	D14/315

OTHER PUBLICATIONS

U.S. Appl. No. 29/616,976, filed Sep. 11, 2017, entitled "Information Handling System Housing," by Eid-Beng Goh et al.

* cited by examiner

Primary Examiner — Sandra S Snapp

Assistant Examiner — Katherine Glennon

(74) *Attorney, Agent, or Firm* — Zagorin Cave LLP;
Robert W. Holland

(57) **CLAIM**

We claim the ornamental design for an information handling system, as shown and described.

DESCRIPTION

FIG. 1 is a front perspective view of the information handling system in a closed position comprising the present invention;

FIG. 2 is a front elevation view thereof;

FIG. 3 is a rear elevation view thereof;

FIG. 4 is a right side view thereof;

FIG. 5 is a left side view thereof;

FIG. 6 is a top view thereof;

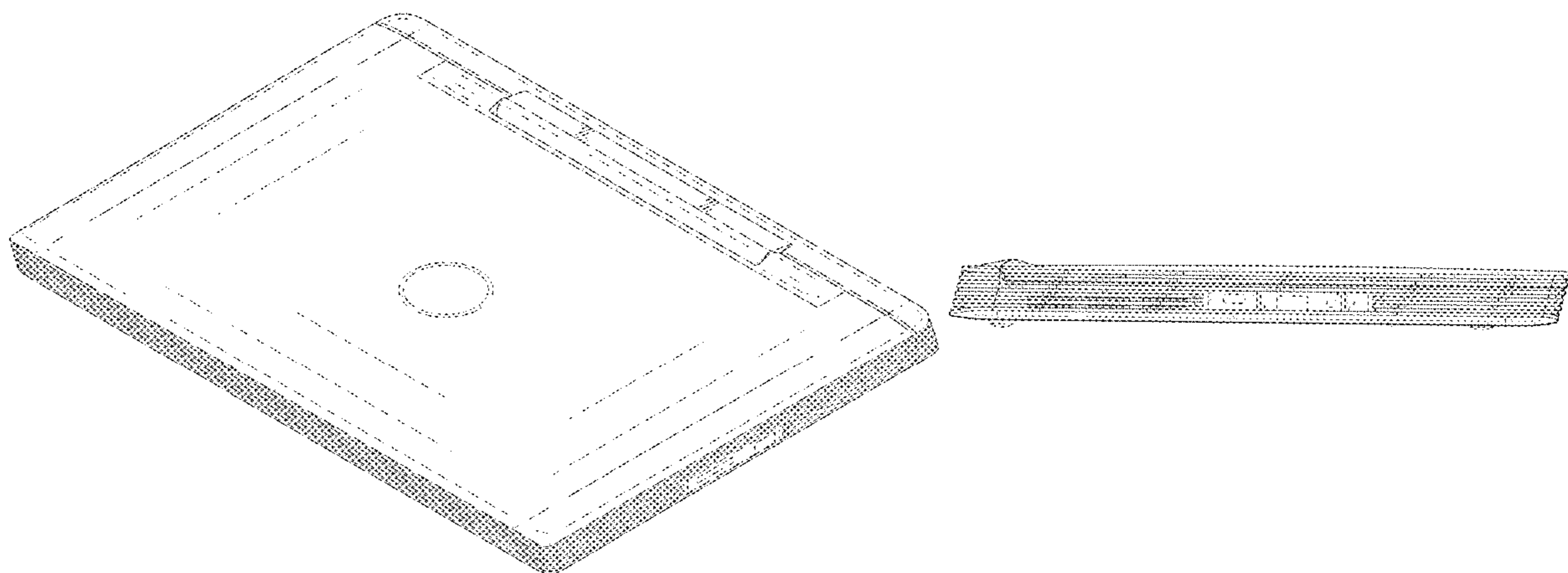
FIG. 7 is a bottom view thereof;

FIG. 8 is a bottom perspective view thereof; and,

FIG. 9 is a front perspective view thereof in an open position.

Broken lines shown in the drawings illustrate portions of the information handling system and form no part of the claimed design.

1 Claim, 6 Drawing Sheets



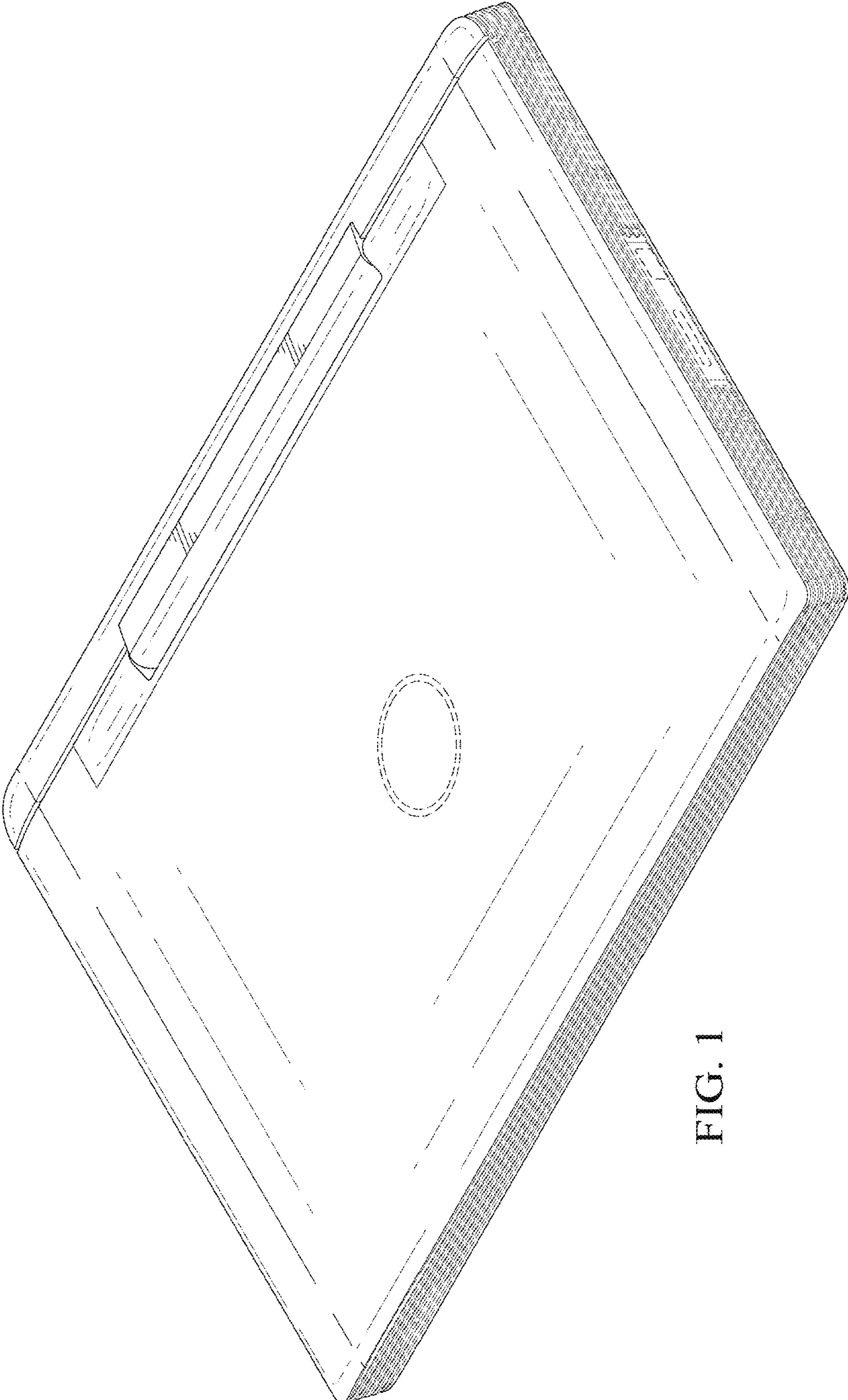


FIG. 1

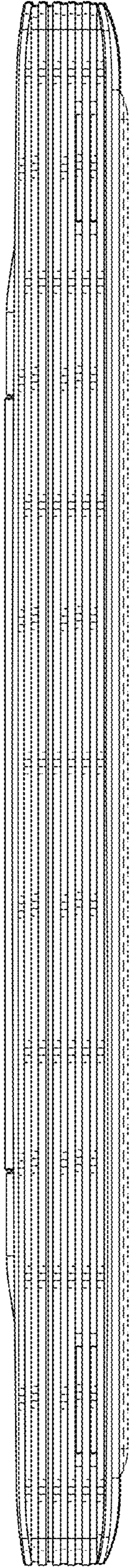


FIG. 2

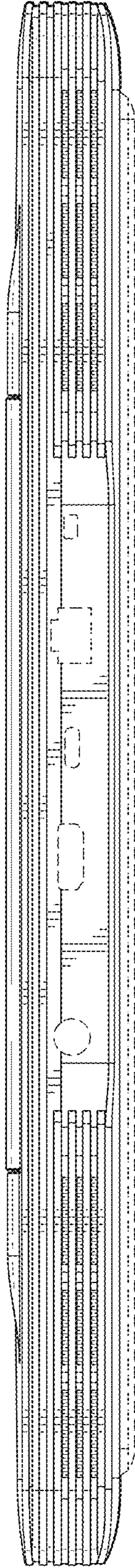


FIG. 3

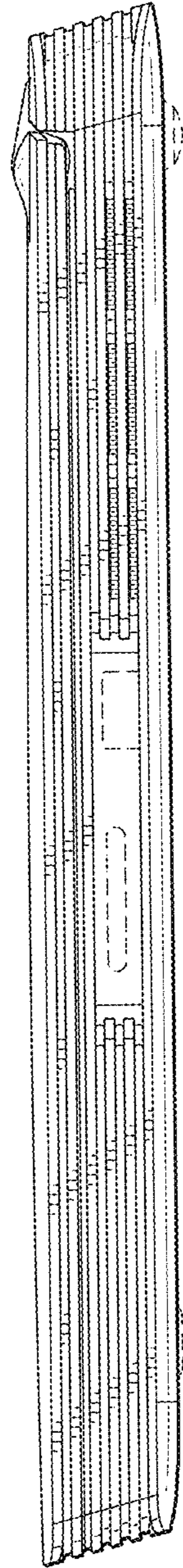


FIG. 4

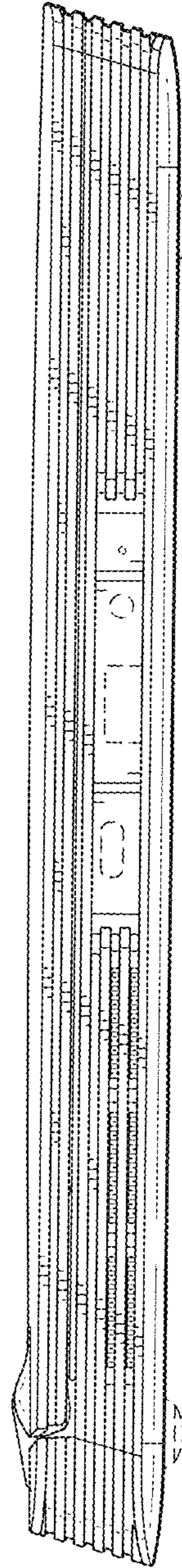


FIG. 5

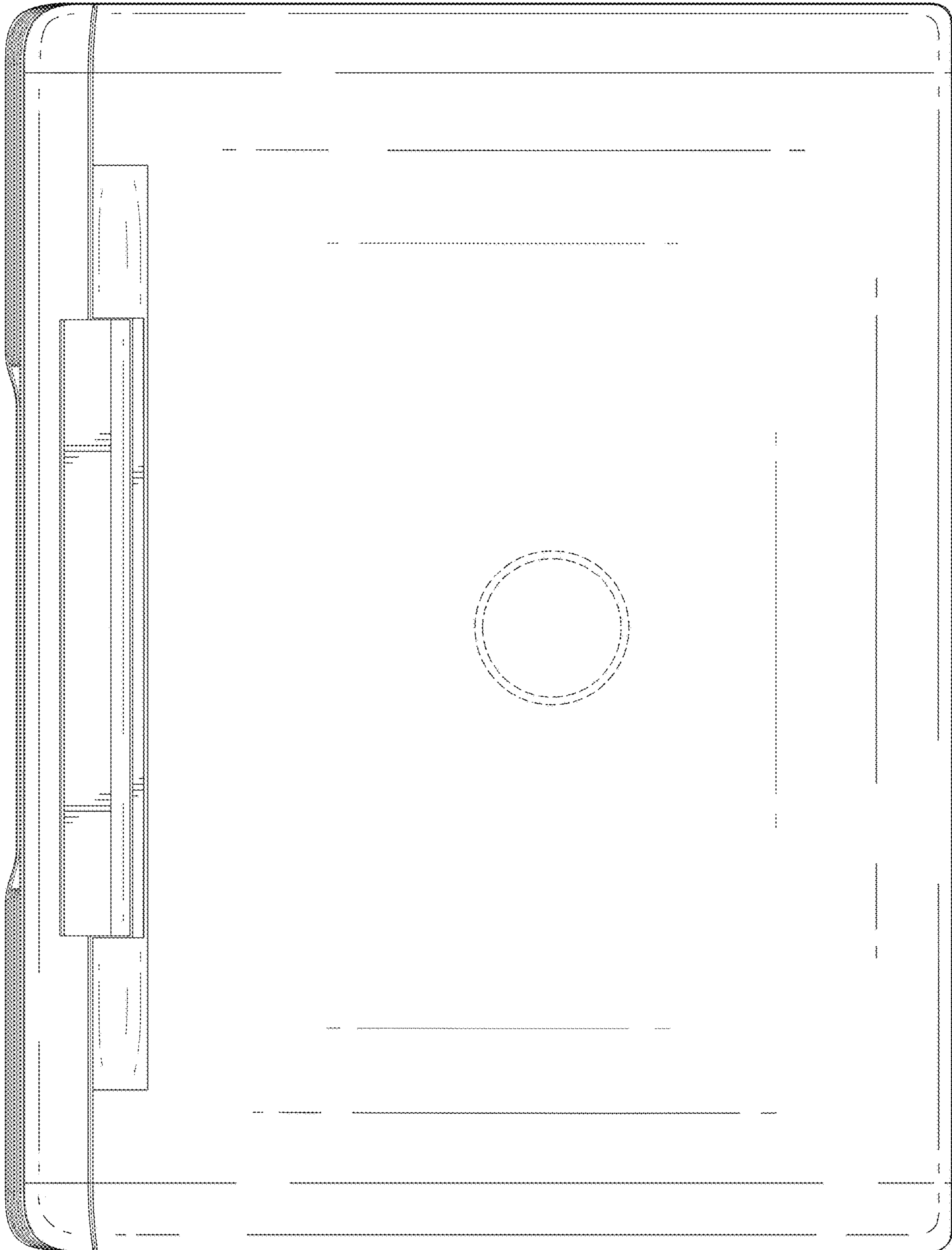


FIG. 6

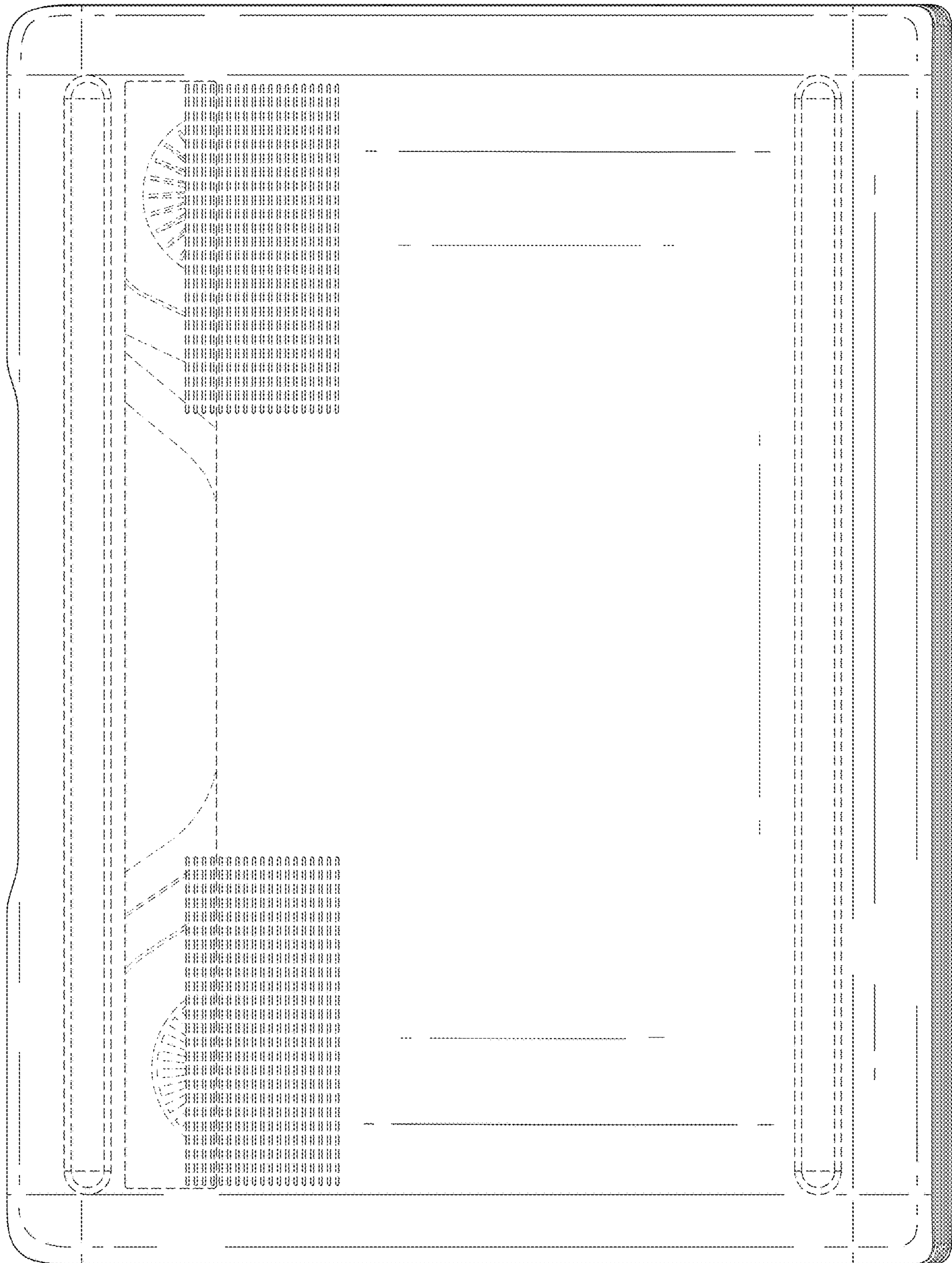


FIG. 7

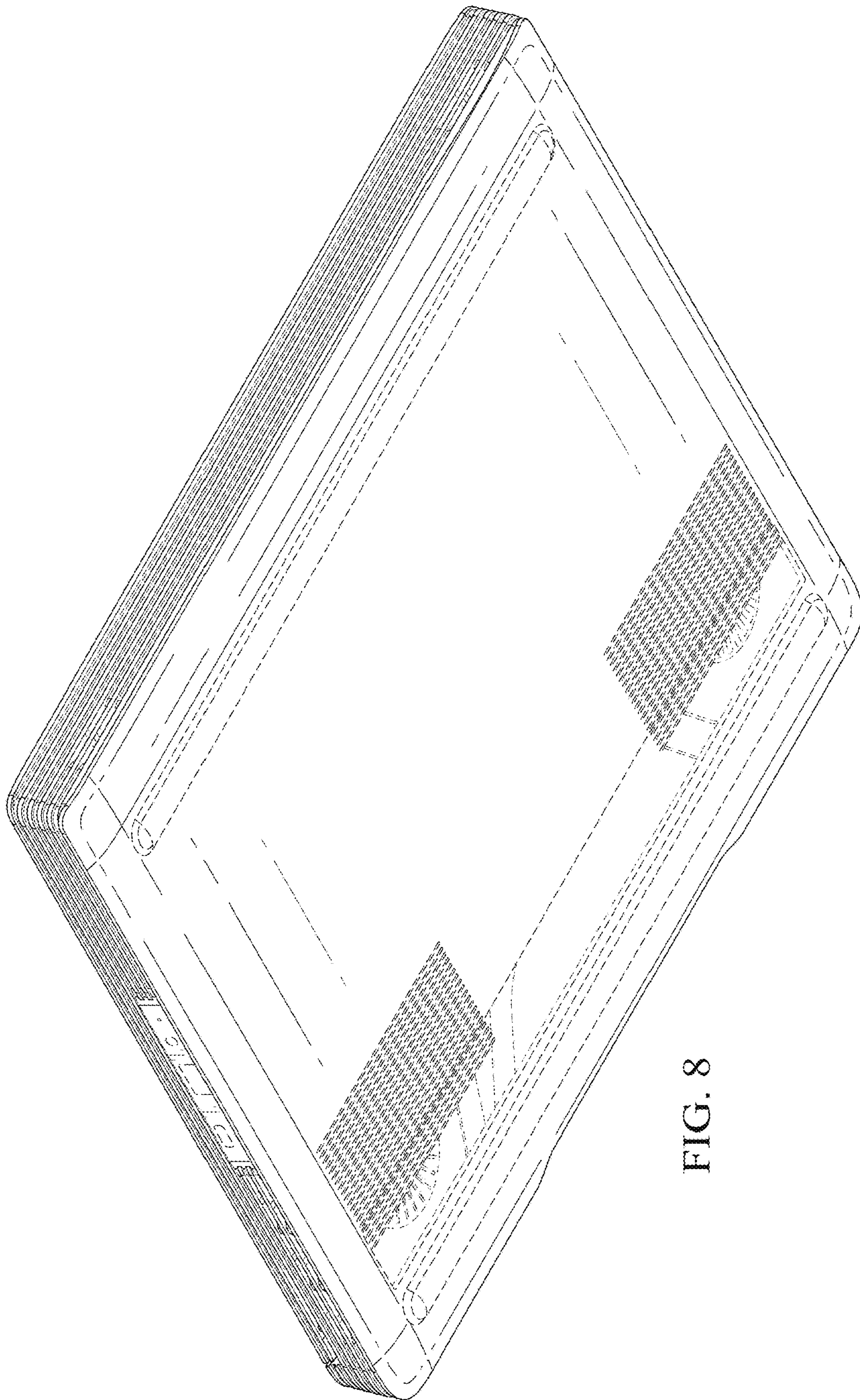


FIG. 8

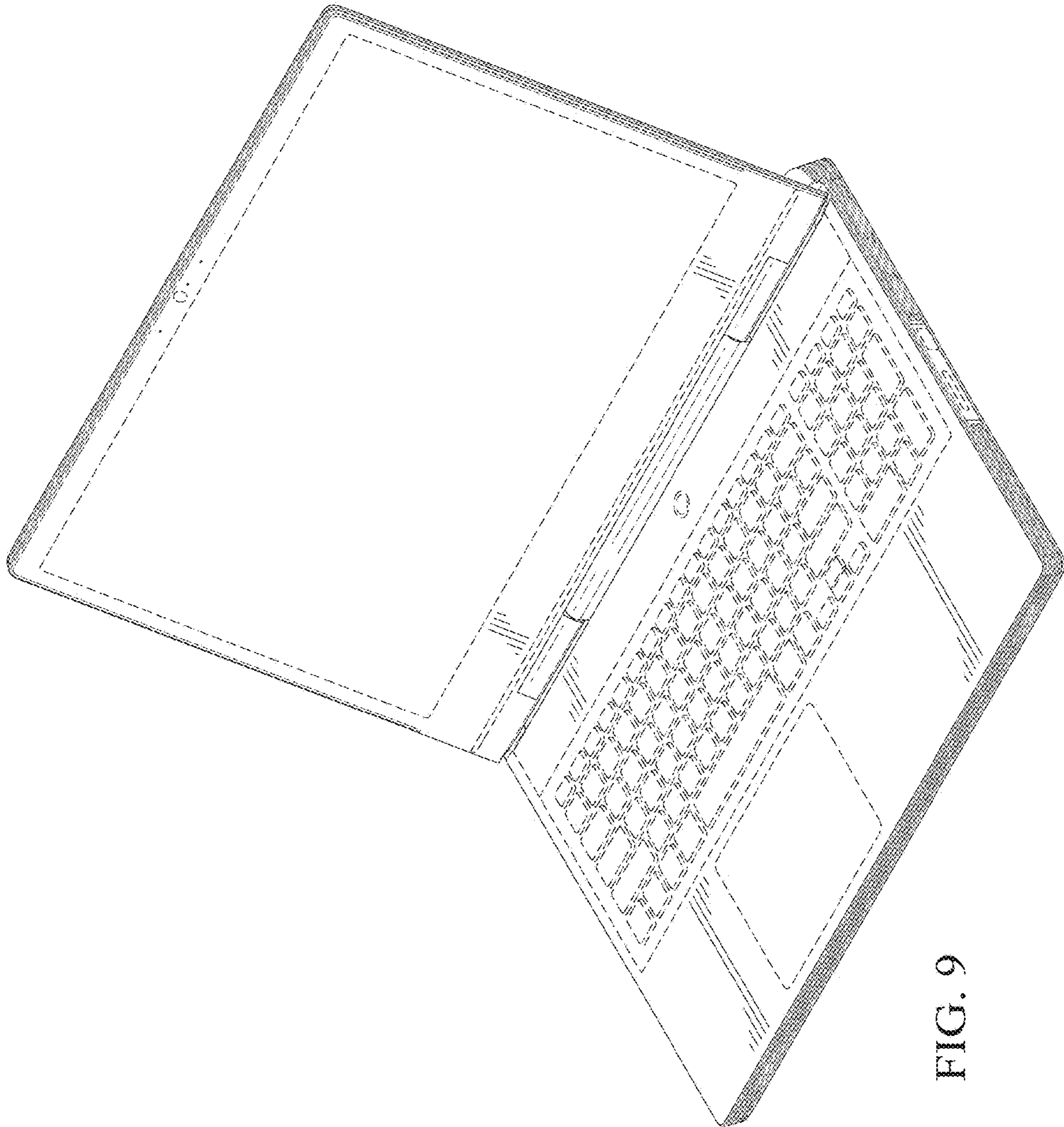


FIG. 9