



US00D894176S

(12) **United States Design Patent**
Khoeun

(10) **Patent No.:** **US D894,176 S**

(45) **Date of Patent:** **** Aug. 25, 2020**

(54) **AUTO STEREO MOUNTING DEVICE**

(71) Applicant: **Metra Electronics Corporation**, Holly Hill, FL (US)

(72) Inventor: **Pieckdey Khoehn**, Holly Hill, FL (US)

(73) Assignee: **Metra Electronics Corporation**, Holly Hill, FL (US)

(**) Term: **15 Years**

(21) Appl. No.: **29/701,537**

(22) Filed: **Aug. 13, 2019**

(51) **LOC (12) Cl.** **14-03**

(52) **U.S. Cl.**
USPC **D14/258**

(58) **Field of Classification Search**
USPC D12/192, 195, 415, 420; D14/496,
D14/498-506, 154, 157, 168-171,
D14/188-198, 257-258; 248/27.1, 27.3,
248/558

CPC B60R 11/02; B60K 37/04; B60K 37/06;
B60K 35/00

See application file for complete search history.

(56) **References Cited**

U.S. PATENT DOCUMENTS

D555,156 S	*	11/2007	Quilling	D14/258
D610,580 S	*	2/2010	Fiore, IV	D14/258
D611,939 S	*	3/2010	Quilling, II	D14/258
D727,888 S	*	4/2015	Fiore, IV	D14/258

D733,117 S	*	6/2015	Fiore, IV	D14/258
D757,707 S	*	5/2016	Quilling, II	D14/258
D757,708 S	*	5/2016	Fiore, IV	D14/258
D770,439 S	*	11/2016	Fiore, IV	D14/258
D788,095 S	*	5/2017	Quilling	D14/258
D788,765 S	*	6/2017	Quilling	D14/258
D788,766 S	*	6/2017	Quilling	D14/258
D790,529 S	*	6/2017	Quilling, II	D14/258
D791,119 S	*	7/2017	Quilling	D14/258
D802,579 S	*	11/2017	Wellard	D14/258
D806,065 S	*	12/2017	Wellard	D14/258

* cited by examiner

Primary Examiner — Sandra L Morris

(74) *Attorney, Agent, or Firm* — J. Wiley Horton

(57) **CLAIM**

The ornamental design for an “auto stereo mounting device,” as shown and described.

DESCRIPTION

FIG. 1 is a perspective view of an auto stereo mounting device, showing my design;

FIG. 2 is a front elevation view of FIG. 1;

FIG. 3 is a rear elevation view of FIG. 1;

FIG. 4 is a left side elevation view of FIG. 1;

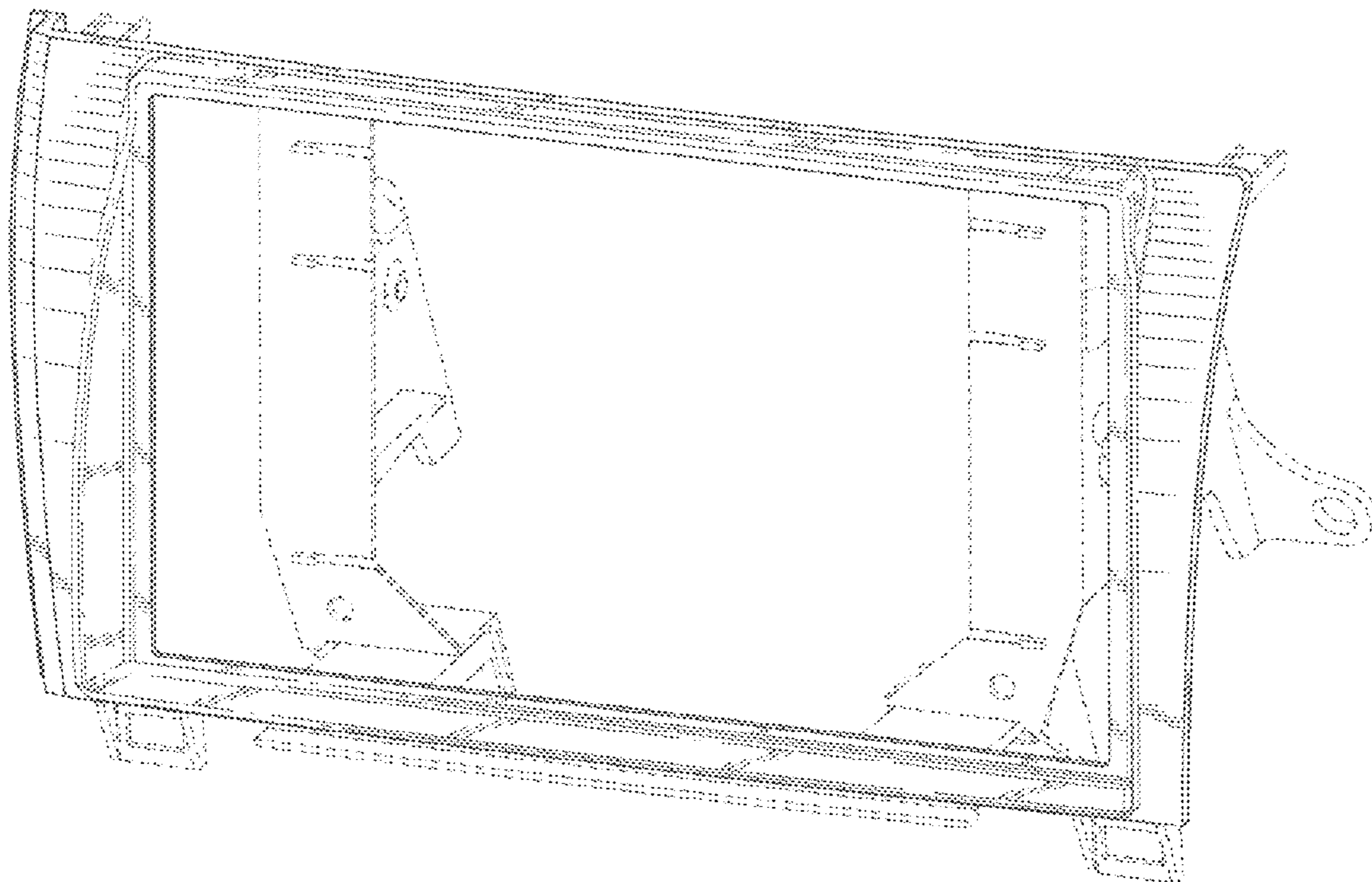
FIG. 5 is a right side elevation view of FIG. 1;

FIG. 6 is a top plan view of FIG. 1; and,

FIG. 7 is a bottom plan view of FIG. 1.

The broken lines shown in all views illustrate mounting features which form no part of the claimed design.

1 Claim, 7 Drawing Sheets



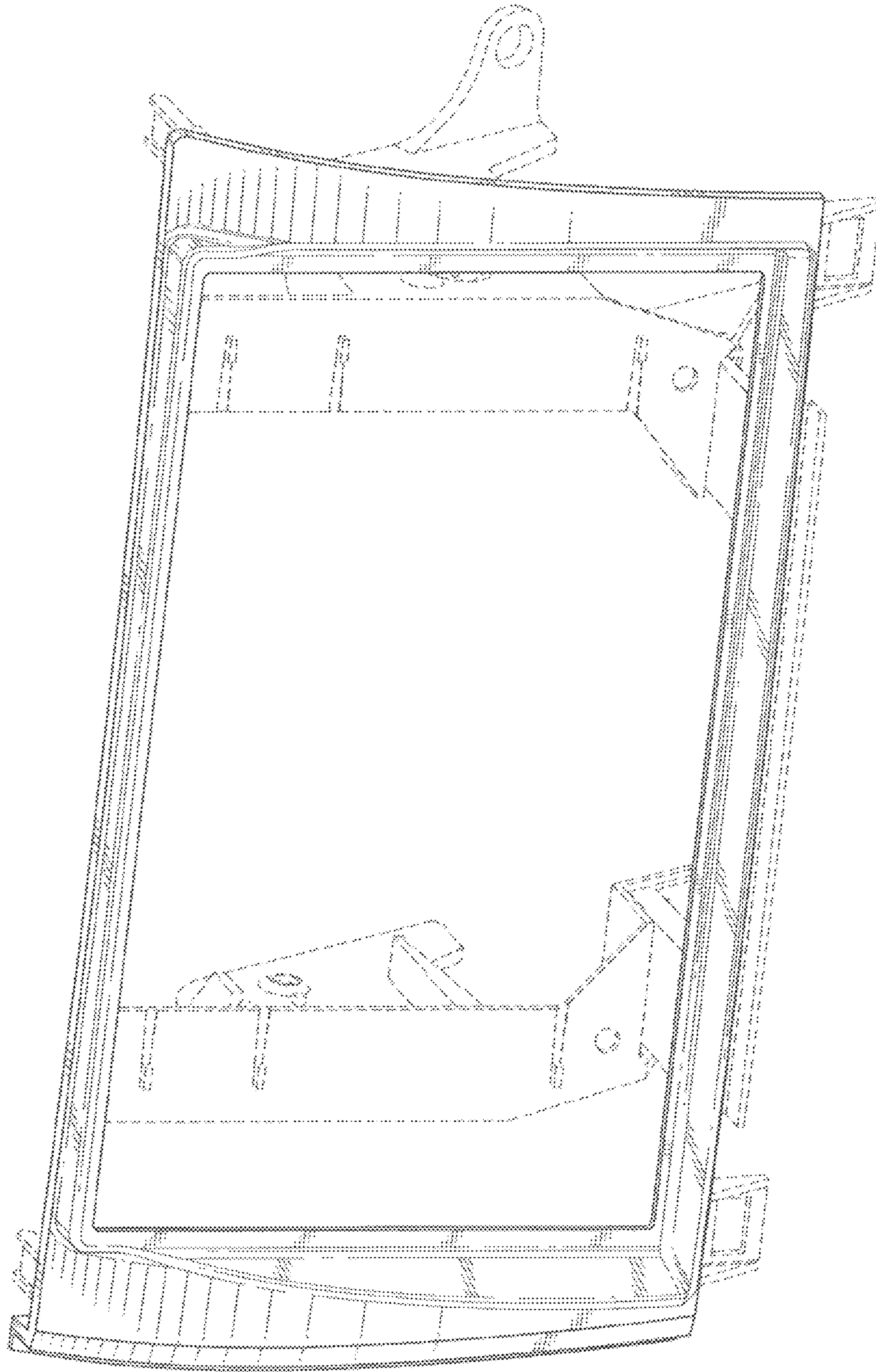


FIG. 1

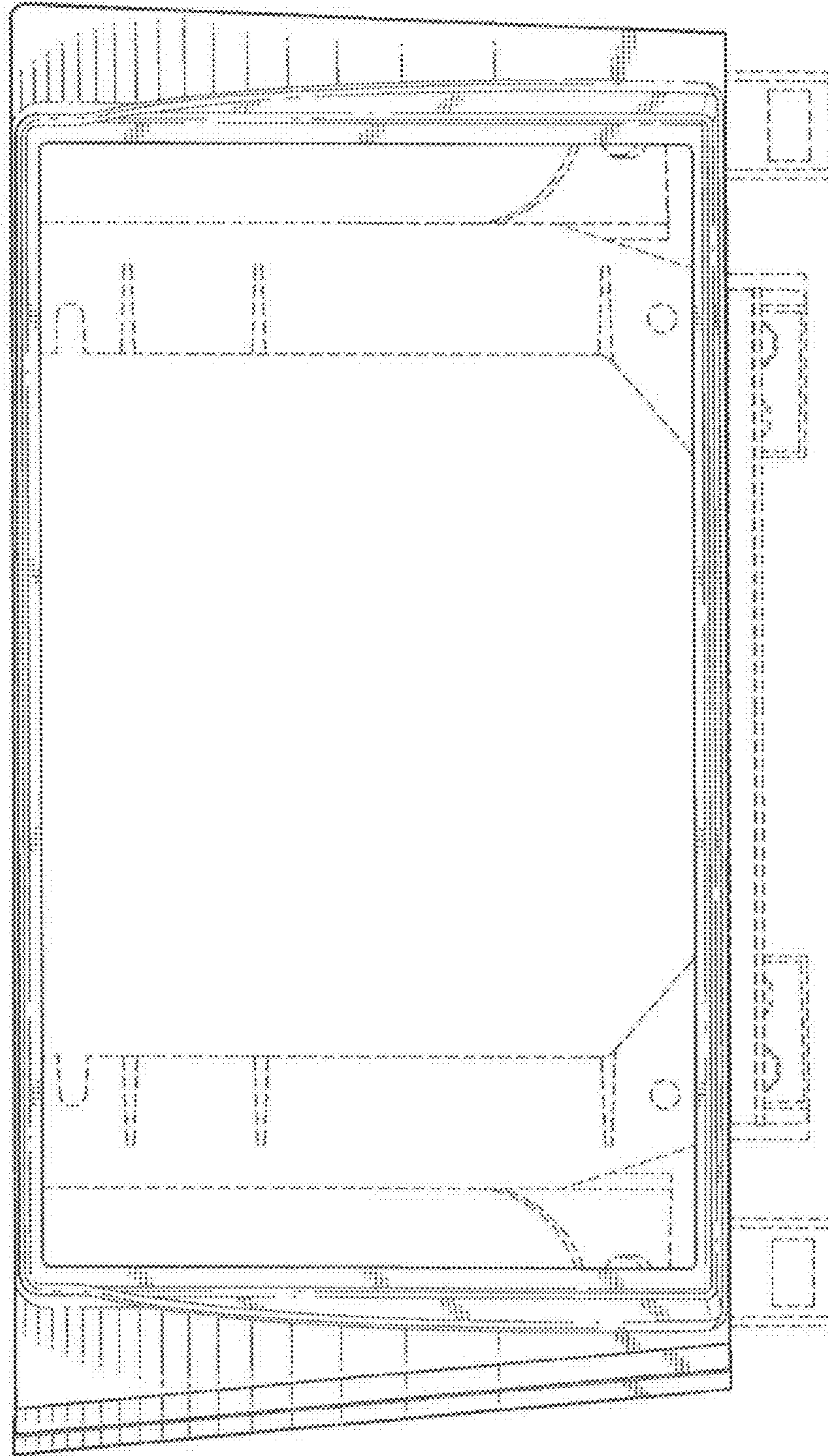


FIG. 2

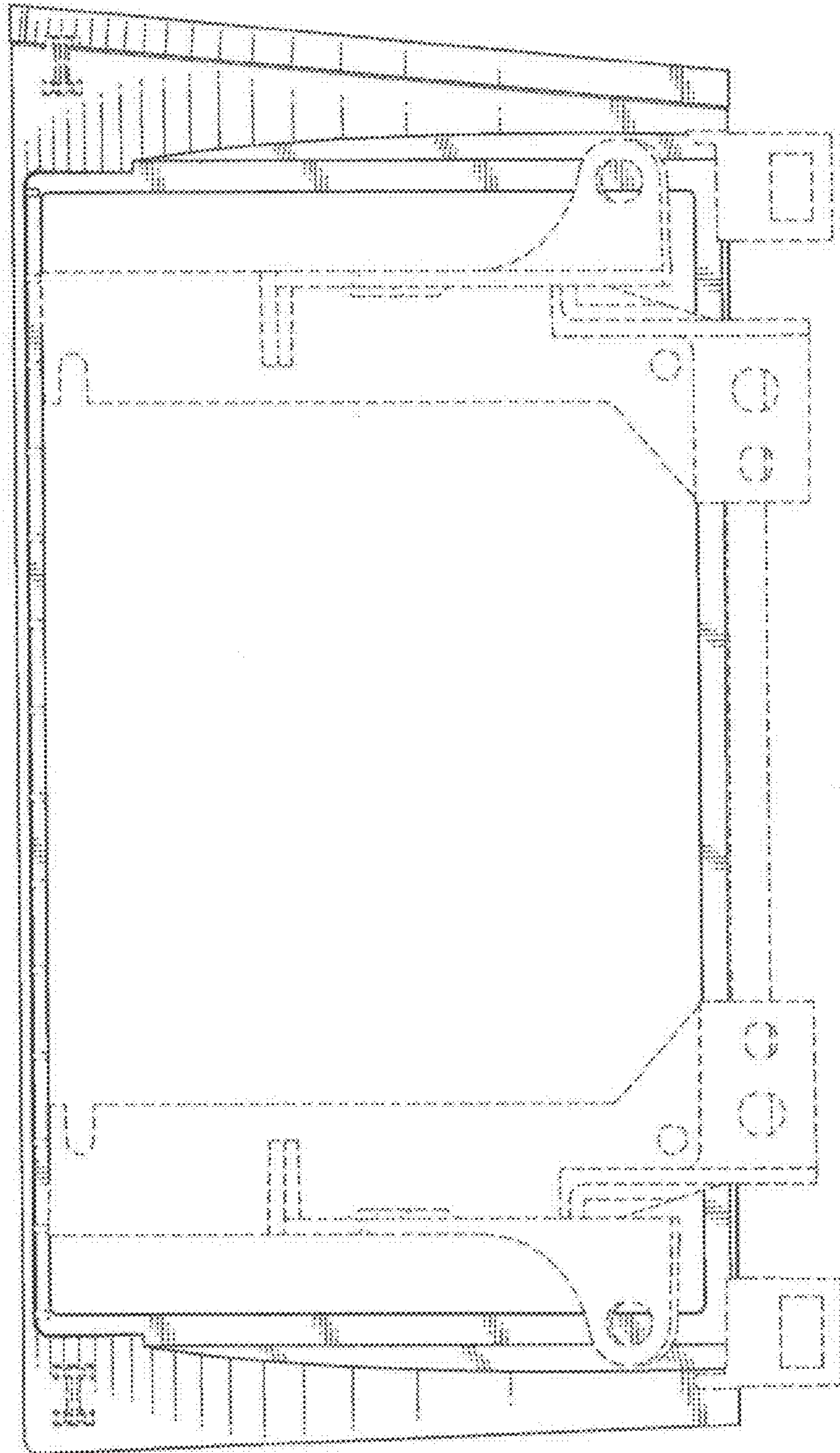


FIG. 3

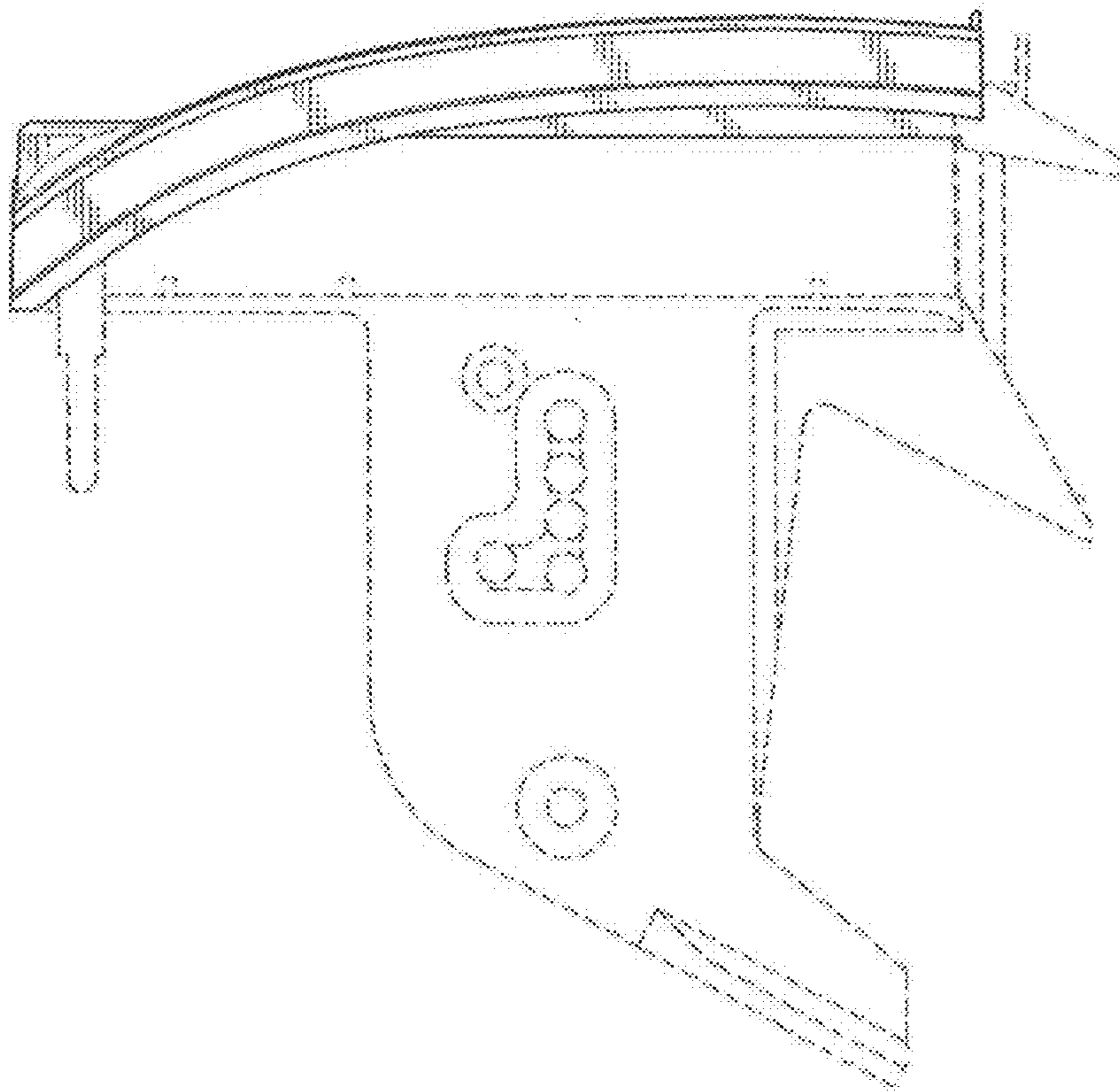


FIG. 4

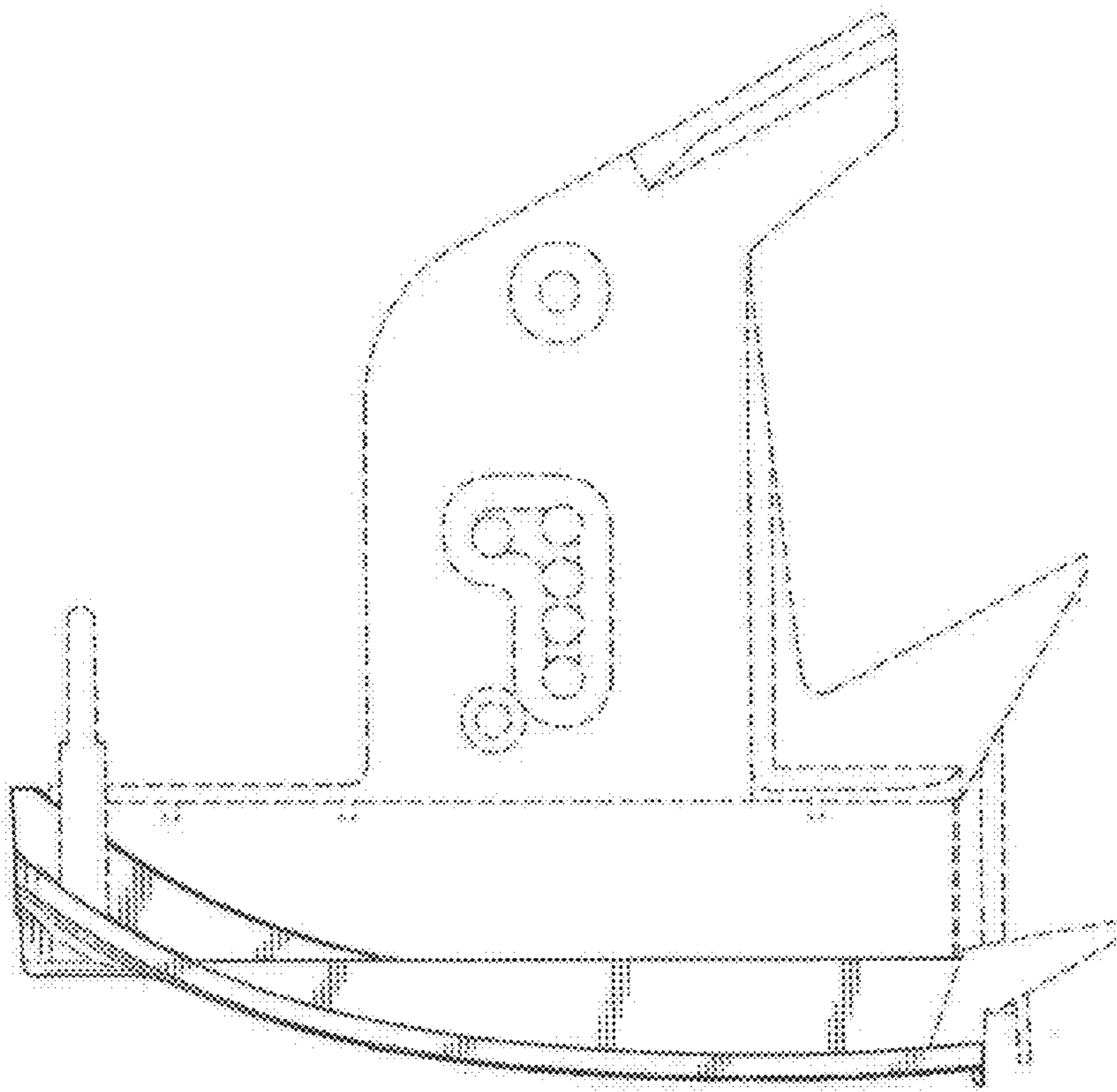


FIG. 5

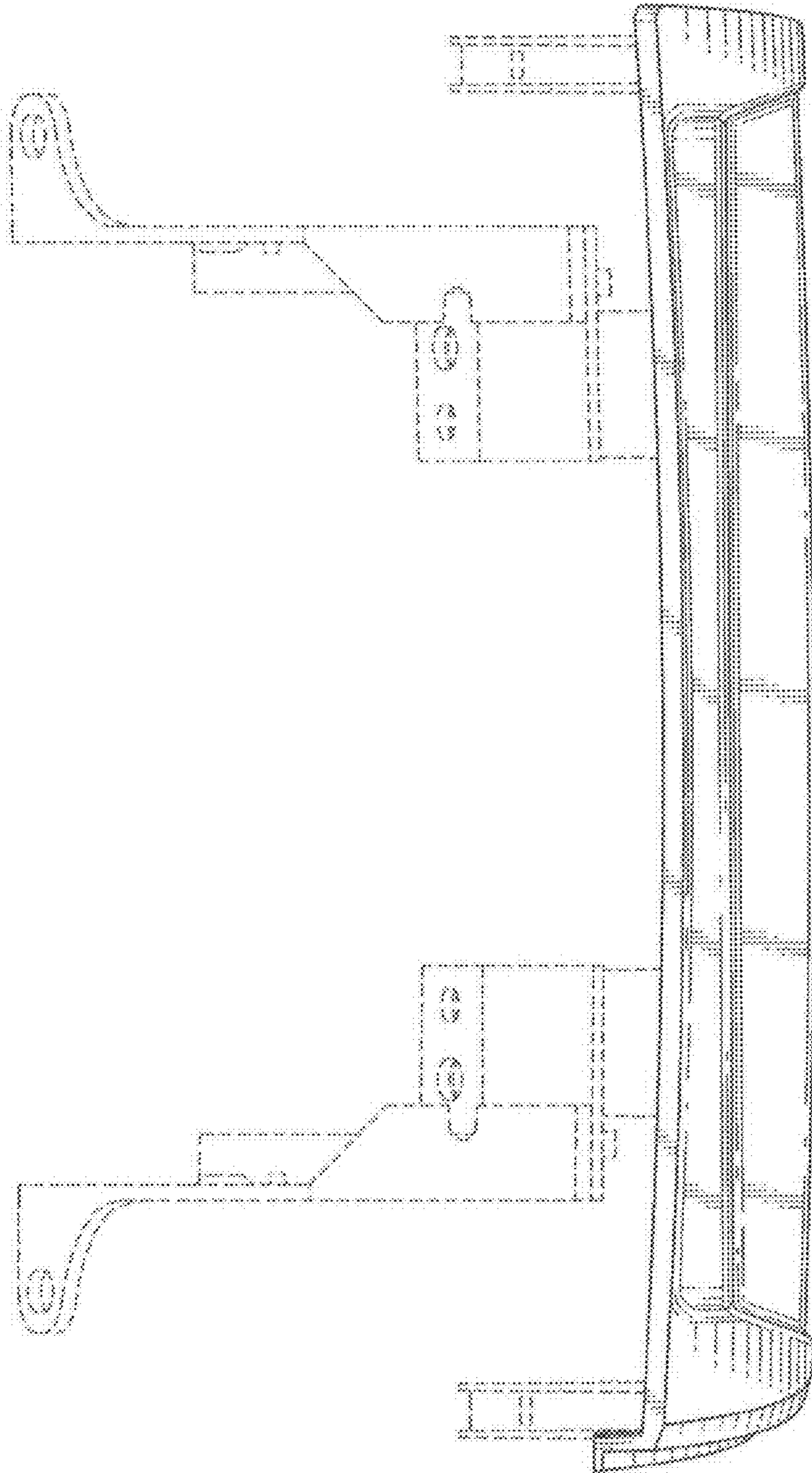


FIG. 6

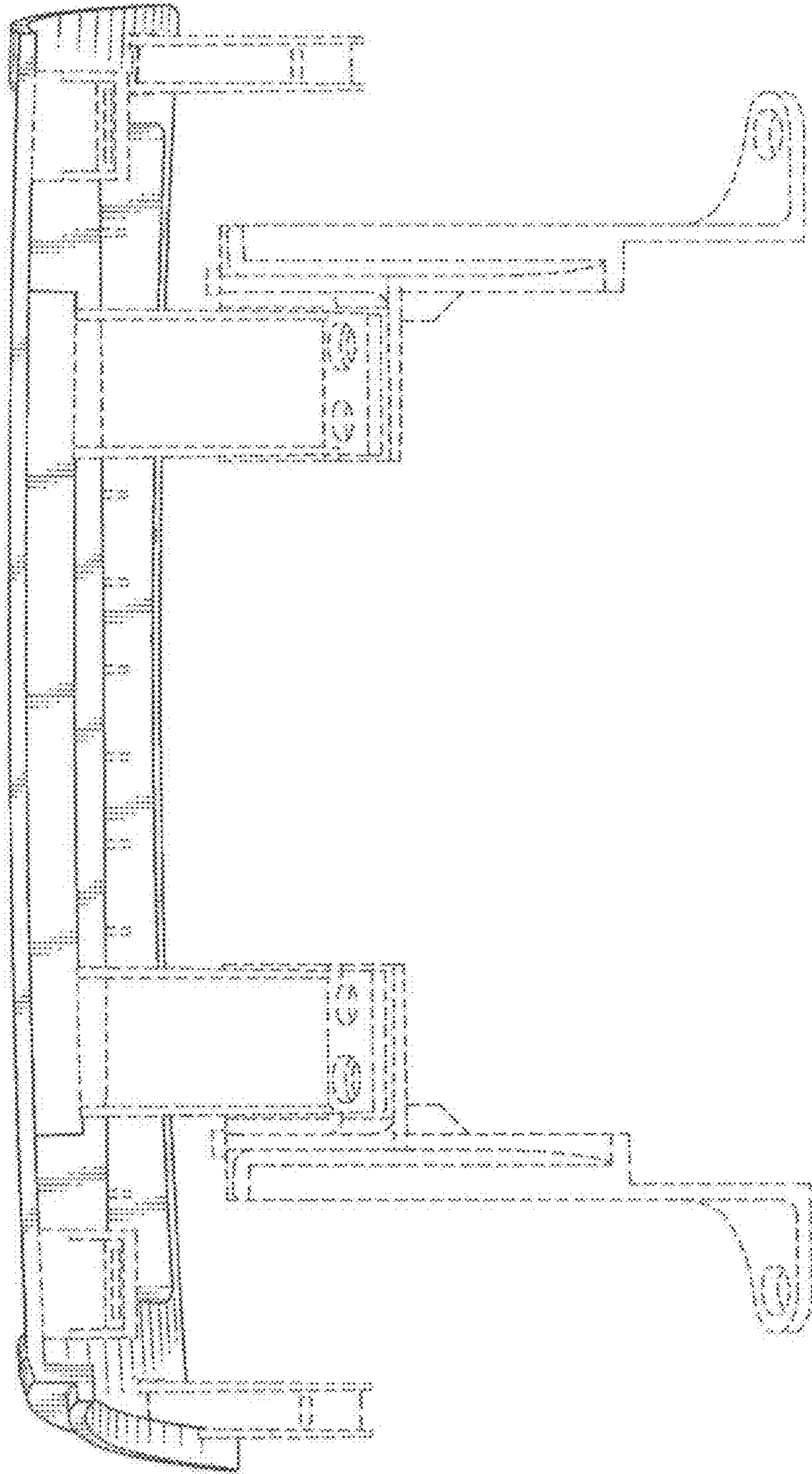


FIG. 7