



US00D894168S

(12) **United States Design Patent** (10) **Patent No.:** **US D894,168 S**
Lou (45) **Date of Patent:** **** Aug. 25, 2020**

(54) **PHONE BIKE MOUNT**
(71) Applicant: **Ningbo Lede Computer Technology Co., Ltd.**, Yuyao, Zhejiang (CN)
(72) Inventor: **Yuman Lou**, Zhejiang (CN)
(73) Assignee: **Ningbo Lede Computer Technology Co., Ltd.**, Yuyao (CN)
(**) Term: **15 Years**
(21) Appl. No.: **29/687,937**
(22) Filed: **Apr. 17, 2019**
(51) **LOC (12) Cl.** **14-03**
(52) **U.S. Cl.**
USPC **D14/253**
(58) **Field of Classification Search**
USPC D14/251–253, 447, 452, 432–434, 440;
D12/415; D3/218
CPC H04M 1/02; H04M 1/04; B60R 11/02;
F16M 11/00; F16M 11/04; F16M 11/06
See application file for complete search history.

(56) **References Cited**

U.S. PATENT DOCUMENTS

D646,674 S *	10/2011	Liao	D14/253
D685,379 S *	7/2013	Richter	D14/253
D685,380 S *	7/2013	Richter	D14/253
D691,991 S *	10/2013	Mohan	D14/250
D695,732 S *	12/2013	Baumann	D14/253
D705,211 S *	5/2014	Huang	D14/253
D709,066 S *	7/2014	Byun	D14/253
D709,074 S *	7/2014	Tsui	D14/447
D716,215 S *	10/2014	Dunn	D12/415
D718,297 S *	11/2014	Aspinall	D14/253
D736,217 S *	8/2015	Wang	D14/451
D742,387 S *	11/2015	Xiang	D14/447
D750,612 S *	3/2016	Chen	D14/253
D752,571 S *	3/2016	Richter	D14/253
D770,171 S *	11/2016	Lai	D14/253

D783,014 S *	4/2017	Chun	D14/253
D784,923 S *	4/2017	Song	D13/108
D784,977 S *	4/2017	Ormsbee	D14/253
D799,466 S *	10/2017	Sukphist	D14/253
D832,247 S *	10/2018	Sukphist	D14/253
D832,248 S *	10/2018	Sukphist	D14/253
D833,369 S *	11/2018	Lan	D12/415
D839,868 S *	2/2019	Lee	D14/253
D840,388 S *	2/2019	Wieth	D14/251
D840,994 S *	2/2019	Balmer	D14/253
D852,188 S *	6/2019	He	D14/253
D858,509 S *	9/2019	Yao	D14/253
D859,286 S *	9/2019	He	D12/415

(Continued)

Primary Examiner — Janice Hallmark

(74) *Attorney, Agent, or Firm* — Greensfelder, Hemker & Gale, P.C.; Richard C. Himelhoch

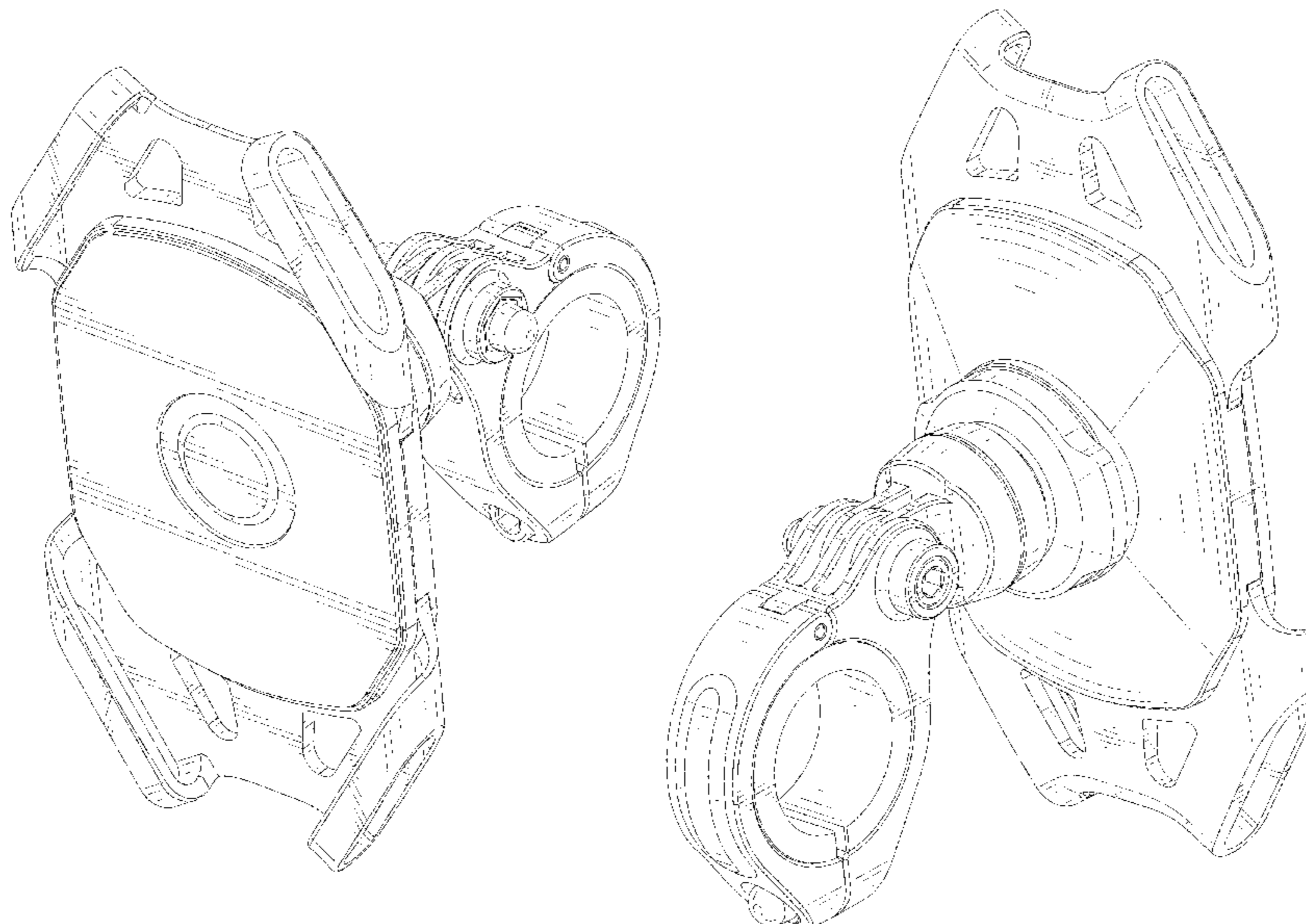
(57) **CLAIM**

I claim the ornamental design for a phone bike mount, as shown and described.

DESCRIPTION

FIG. 1 is a right side plan view of a phone bike mount in accordance with the present design;
FIG. 2 is a left side plan view of the phone bike mount of FIG. 1;
FIG. 3 is a front plan view of the phone bike mount of FIG. 1;
FIG. 4 is a rear plan view of the phone bike mount of FIG. 1;
FIG. 5 is a top plan view of the phone bike mount of FIG. 1;
FIG. 6 is a bottom plan view of the phone bike mount of FIG. 1;
FIG. 7 is a perspective view of a front side of the phone bike mount of FIG. 1; and,
FIG. 8 is a perspective view of a rear side of the phone bike mount of FIG. 1.

1 Claim, 8 Drawing Sheets



(56)

References Cited

U.S. PATENT DOCUMENTS

D859,393 S * 9/2019 Dang D14/253
D859,395 S * 9/2019 Yao D14/253
D860,190 S * 9/2019 Liao D14/253
D861,670 S * 10/2019 Li D14/253
D862,454 S * 10/2019 Chun D14/253
D863,290 S * 10/2019 Ormsbee D14/253
D864,092 S * 10/2019 Zhang D12/415
D864,185 S * 10/2019 Chen D14/253
D864,187 S * 10/2019 Vogel D14/253
D872,014 S * 1/2020 Zhang D13/108
D873,260 S * 1/2020 Dang D14/253
D873,272 S * 1/2020 Dang D14/447
D875,090 S * 2/2020 Leeds-Frank D14/253
D877,688 S * 3/2020 Liu D12/415
D879,090 S * 3/2020 Chung D14/253
D879,766 S * 3/2020 Fan D14/253
D881,200 S * 4/2020 Leeds-Frank D14/447
D881,201 S * 4/2020 Lou D14/447
D881,868 S * 4/2020 Zhang D14/253
D882,560 S * 4/2020 Liao D14/253
D883,271 S * 5/2020 Liao D14/253
D883,274 S * 5/2020 Liu D14/253
2007/0284500 A1 * 12/2007 Fan H04M 1/04
248/346.06
2010/0295228 A1 * 11/2010 Woody B60R 11/0258
269/254 R
2012/0267406 A1 * 10/2012 Fan B60R 11/02
224/482
2014/0145051 A1 * 5/2014 Gwag F16M 11/2092
248/298.1
2015/0072555 A1 * 3/2015 Riddiford F16M 11/041
439/575
2019/0185094 A1 * 6/2019 Vogel F16B 1/00

* cited by examiner

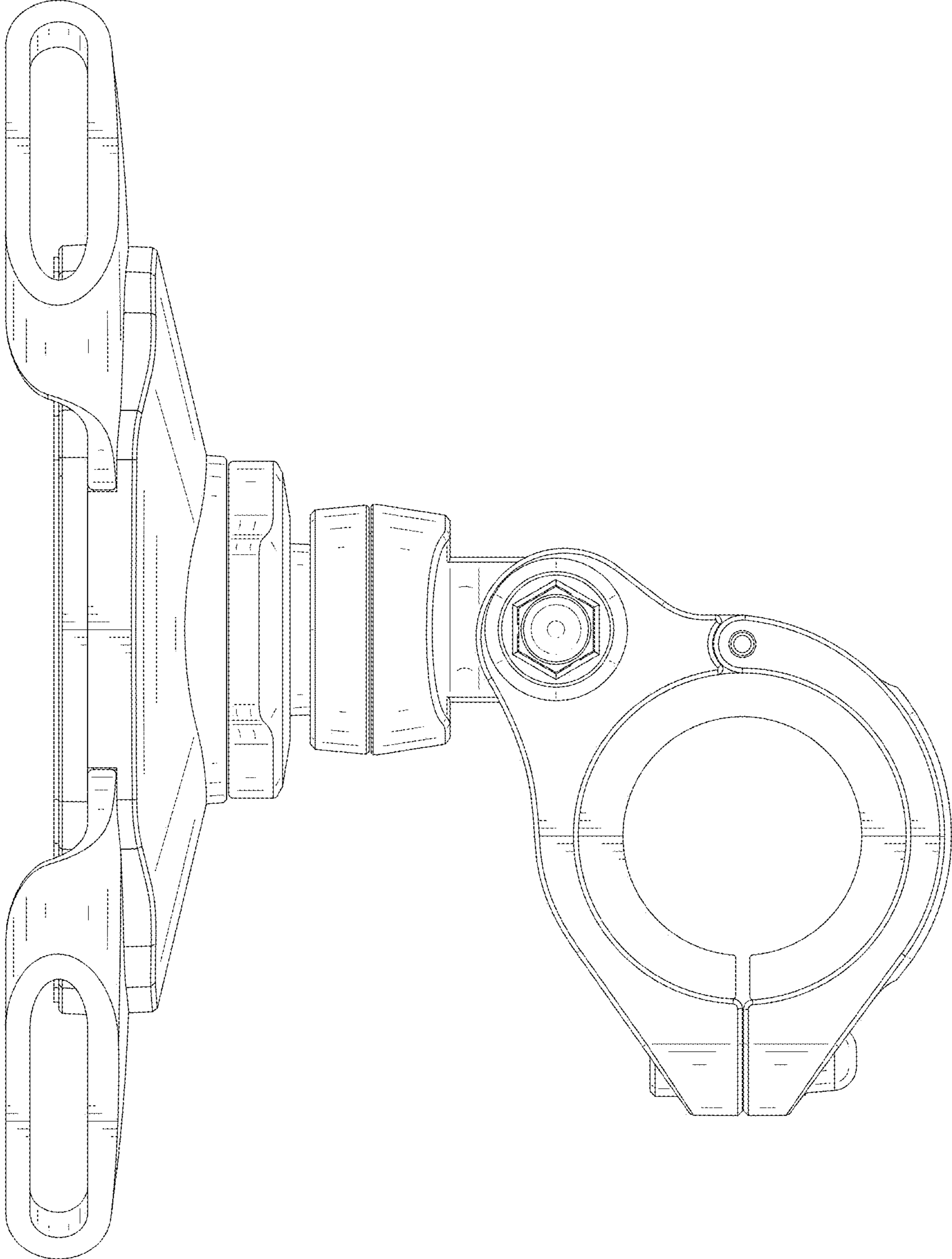


FIG.1

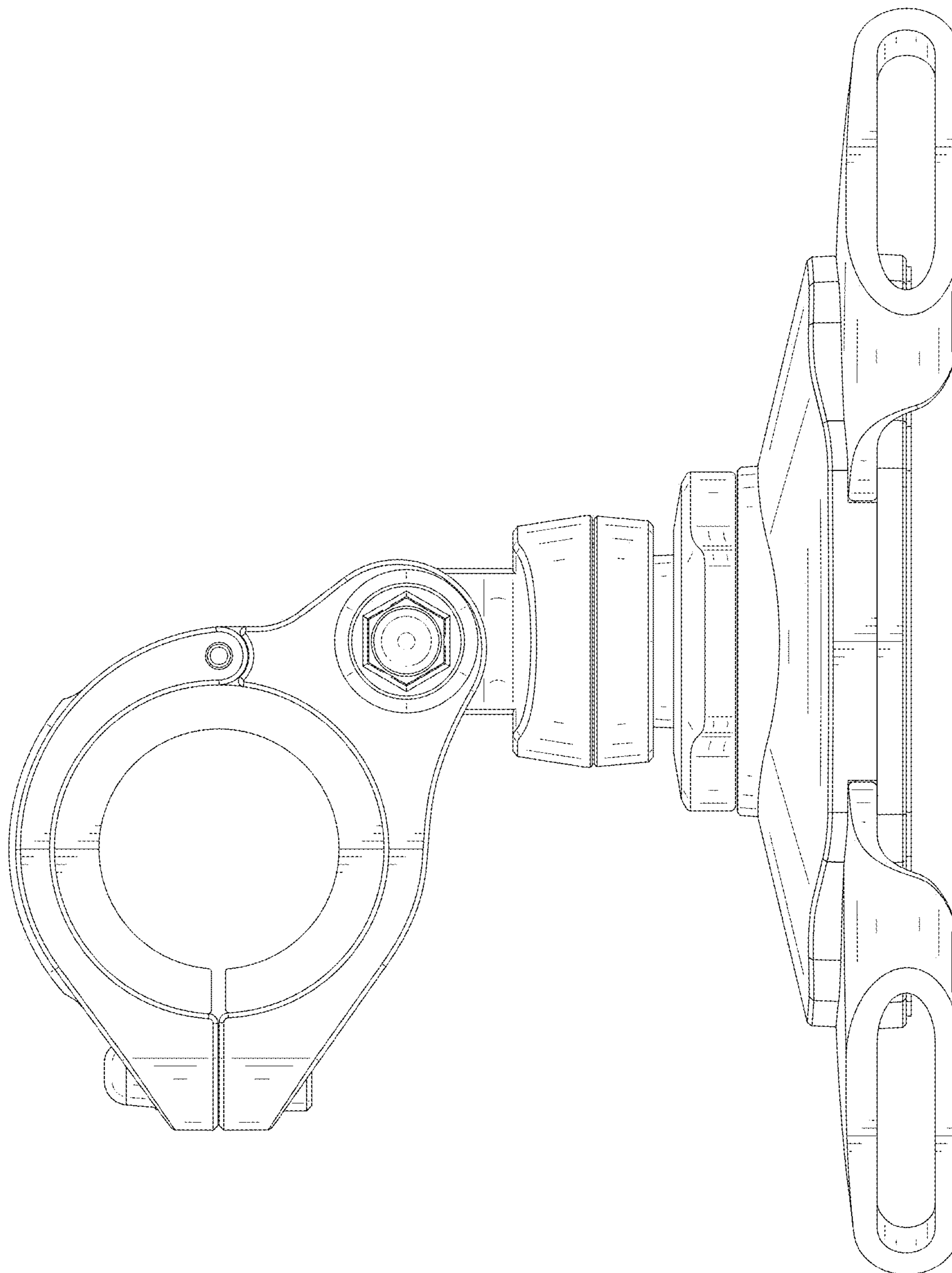


FIG.2

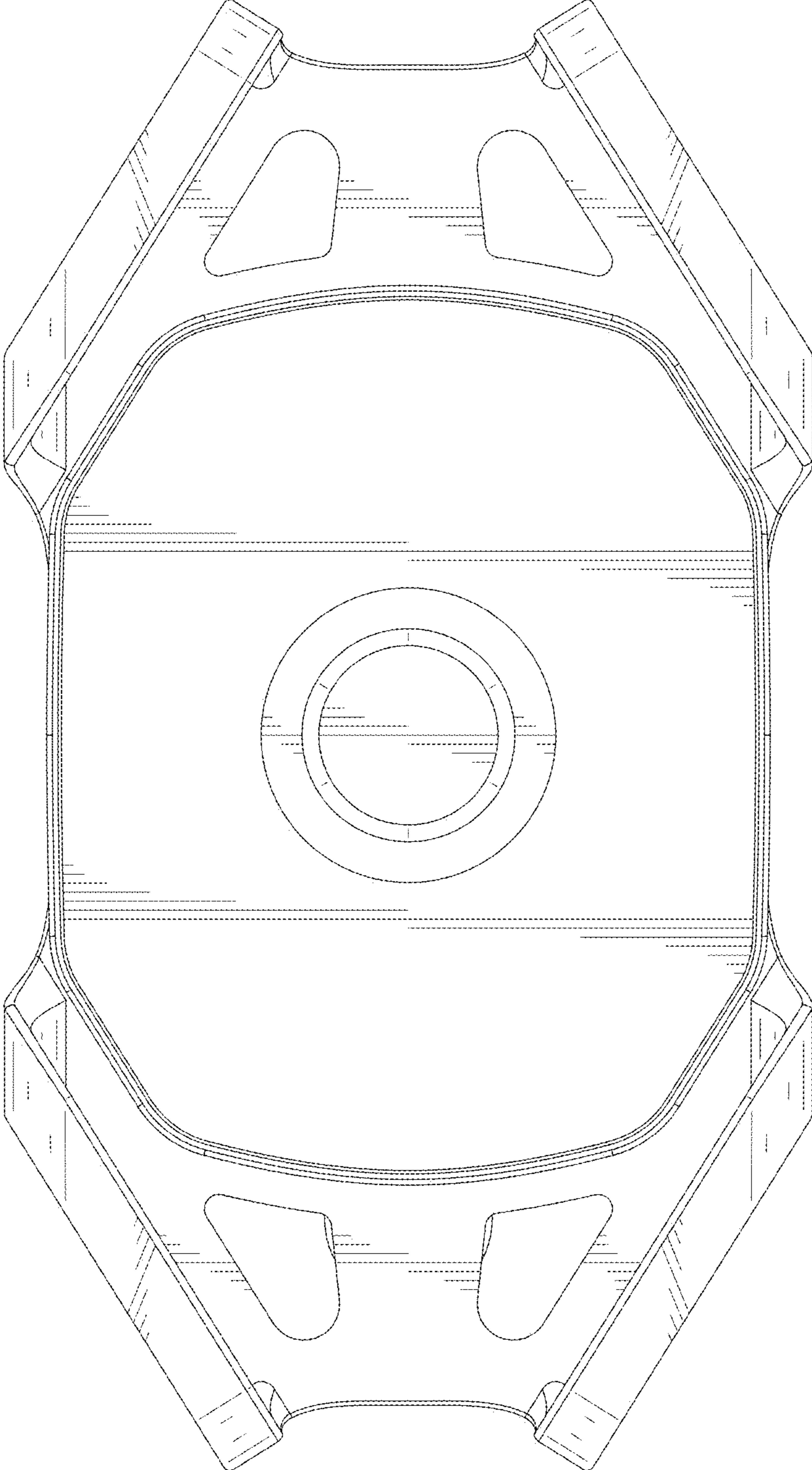


FIG.3

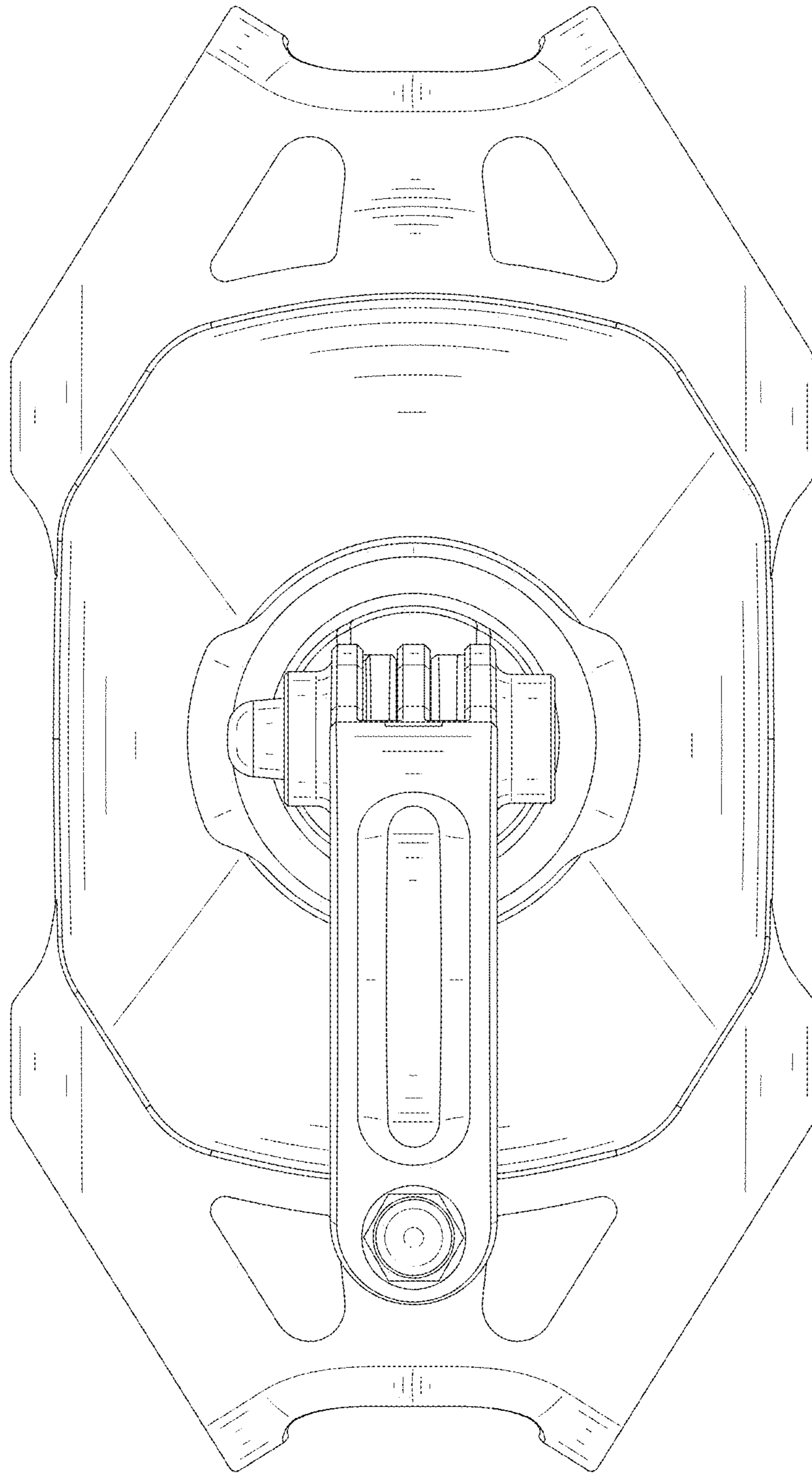


FIG.4

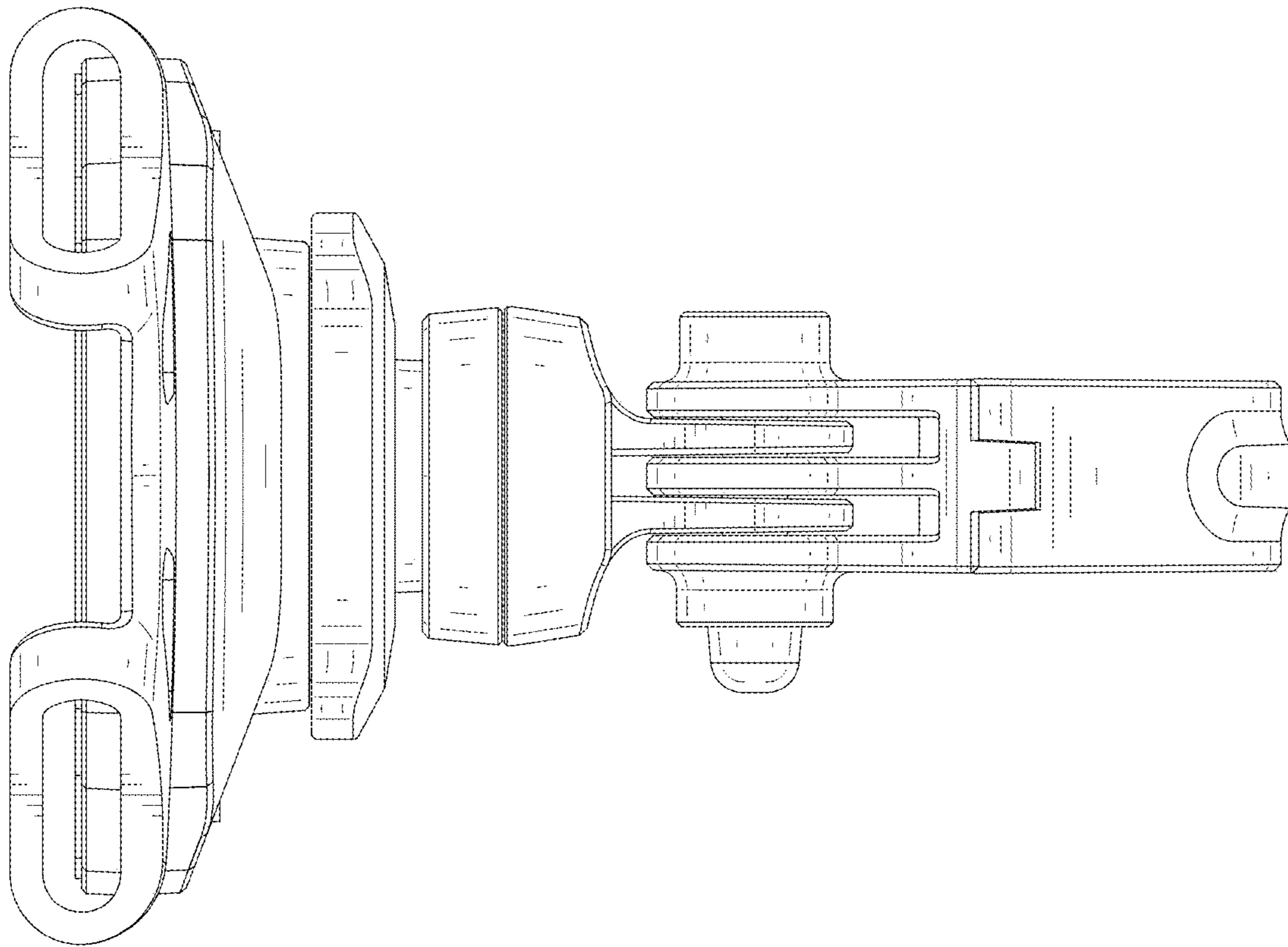


FIG.5

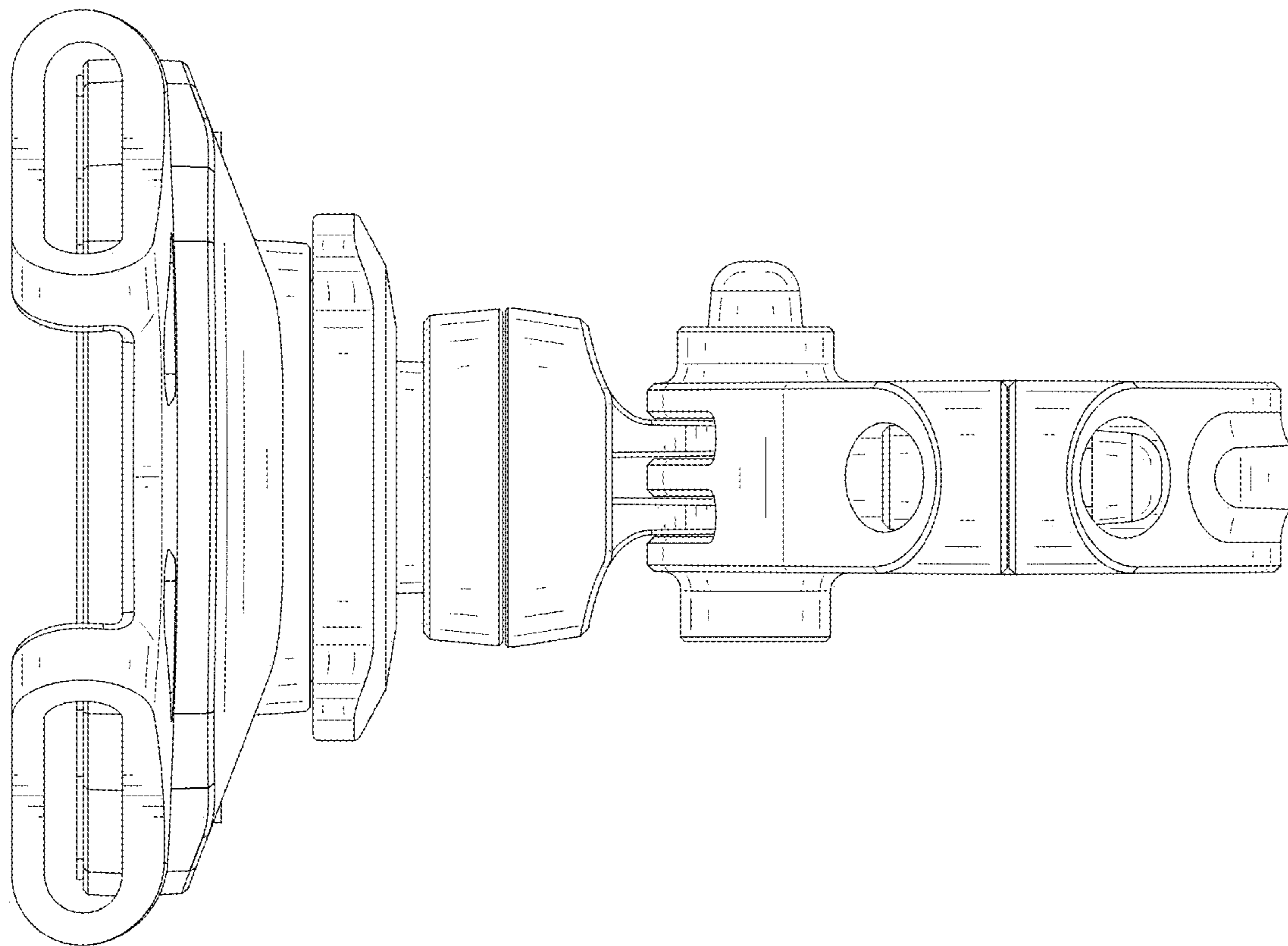


FIG.6

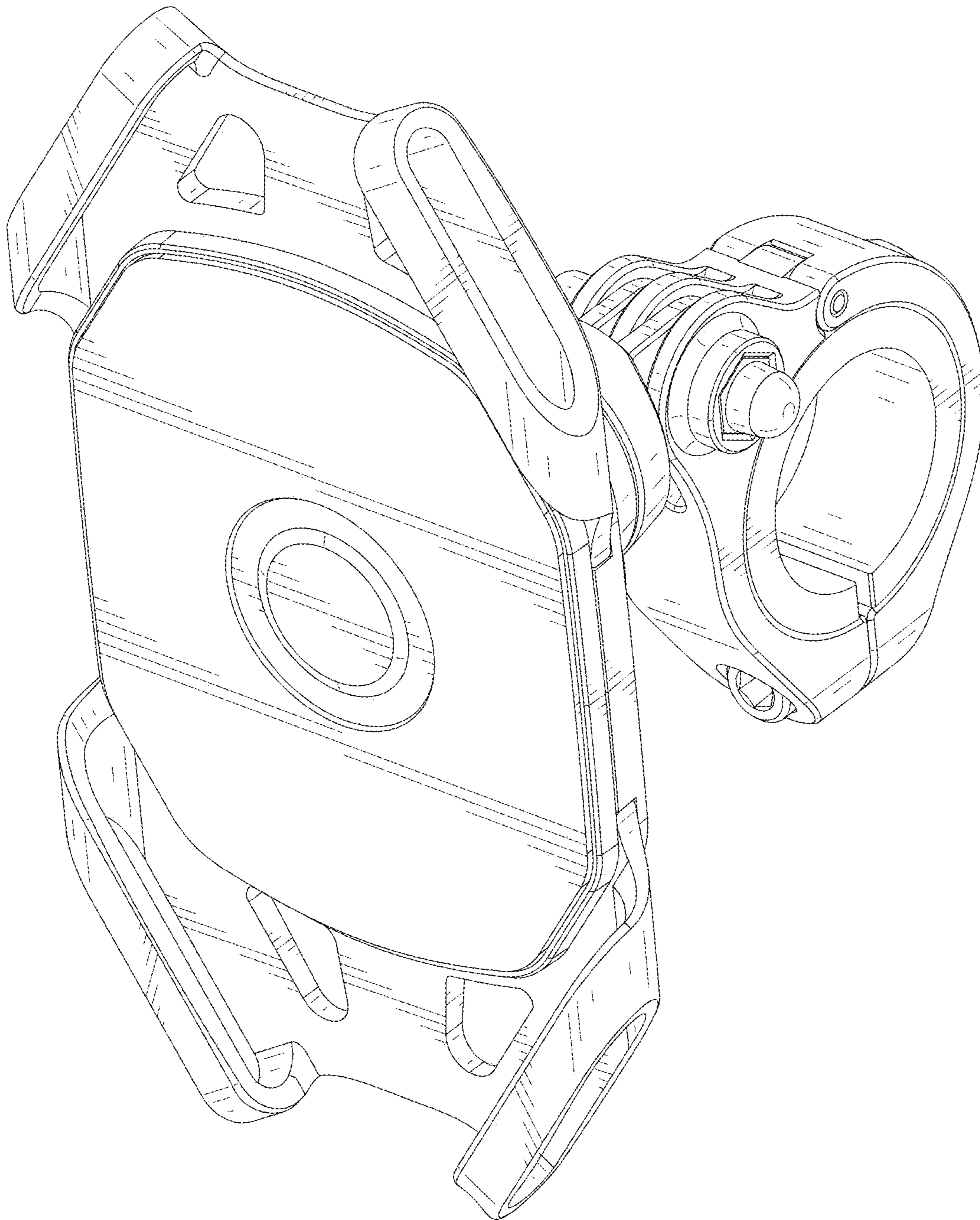


FIG.7

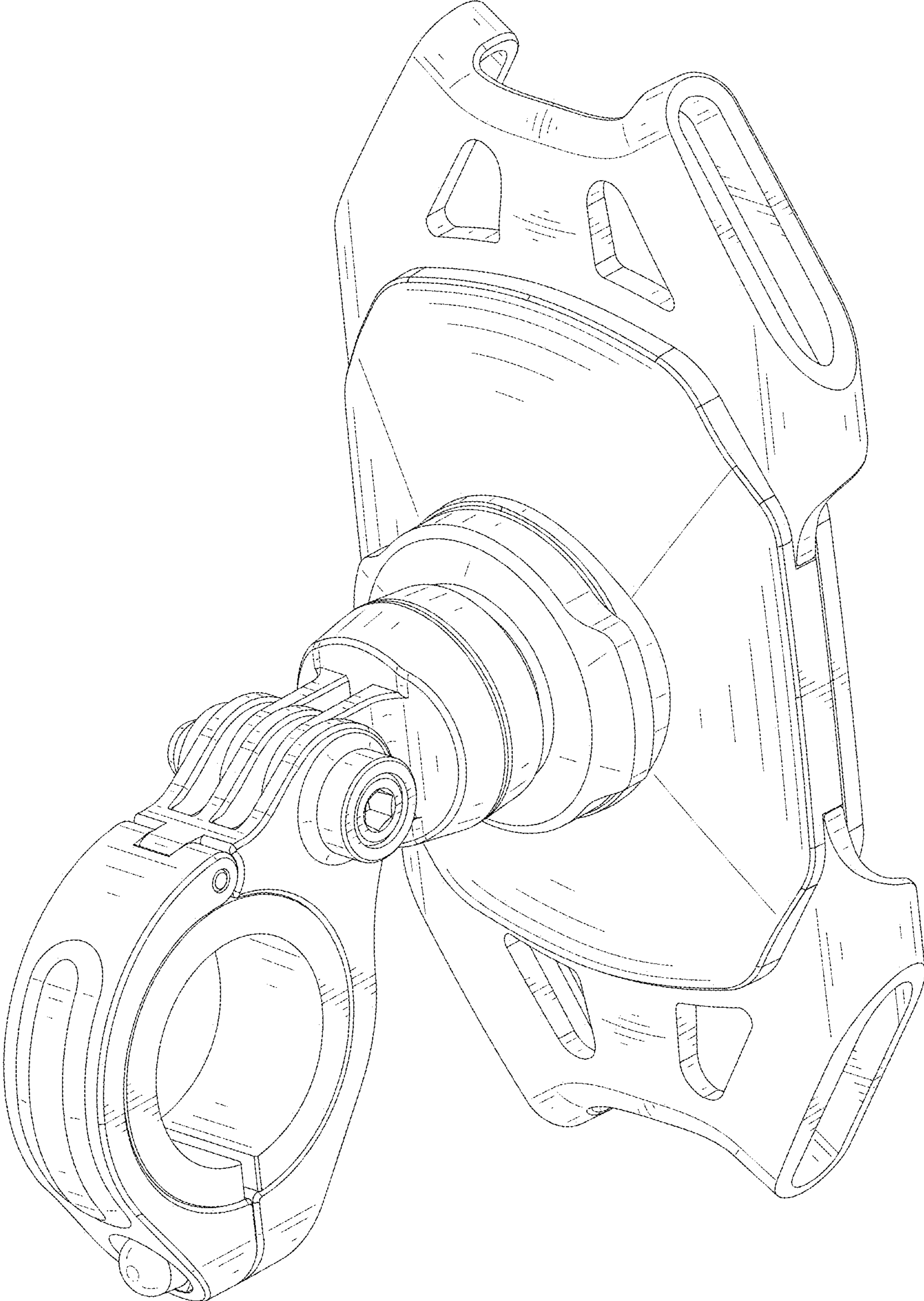


FIG.8