

US00D894166S

(12) **United States Design Patent** (10) **Patent No.:** **US D894,166 S**  
**Fidler** (45) **Date of Patent:** **\*\* Aug. 25, 2020**

(54) **WIRELESS COMMUNICATION ROUTER MOUNTING BASE**

(71) Applicant: **Furrion Property Holding Limited**,  
Hong Kong (HK)

(72) Inventor: **Matthew David Fidler**, Hong Kong  
(HK)

(73) Assignee: **Furrion Property Holding Limited**,  
Hong Kong (HK)

(\*\*) Term: **15 Years**

(21) Appl. No.: **29/644,340**

(22) Filed: **Apr. 17, 2018**

(51) **LOC (12) Cl.** ..... **14-99**

(52) **U.S. Cl.**  
USPC ..... **D14/251**; D14/240

(58) **Field of Classification Search**  
USPC ..... D14/250–254, 224, 224.1, 238.1, 434,  
D14/447, 451, 452, 483; D12/400,  
D12/415–418, 420, 426.1, 114, 223;  
D16/242, 245, 219, 237, 243; D10/74;  
D3/218; D13/107, 108

CPC ..... B60R 11/00; B60R 11/02; B60R 11/0241;  
B60R 11/0252; B60R 2011/0003; B60R  
2011/0005; B60R 2011/0008; H04M  
1/04; H04B 1/3877; A45F 2200/0516;  
A45F 2200/0525; H05K 5/0204; F16M  
13/02; F16M 13/022; F16M 11/04; F16M  
11/041; F16M 11/14; F16M 11/22; F16B  
2/12; H01F 7/0252; G03B 17/561

See application file for complete search history.

(56) **References Cited**

**U.S. PATENT DOCUMENTS**

D327,868 S \* 7/1992 Oka ..... D13/110  
D385,283 S \* 10/1997 Snyder ..... D13/108  
D412,319 S \* 7/1999 Lee ..... D14/434

D452,496 S \* 12/2001 Murnaghan ..... D14/242  
D460,411 S \* 7/2002 Wang ..... D13/103  
D489,321 S \* 5/2004 Krieger ..... D13/108  
D507,526 S \* 7/2005 Ohta ..... D13/108  
D517,007 S \* 3/2006 Yong-Jian ..... D13/108  
D535,252 S \* 1/2007 Sandnes ..... D13/108  
D537,807 S \* 3/2007 Griffin ..... D14/155  
D540,315 S \* 4/2007 Merrow ..... D14/240  
D561,092 S \* 2/2008 Kim ..... D13/103  
D592,189 S \* 5/2009 Corsini ..... D14/217  
D611,930 S \* 3/2010 Cho ..... D14/209.1

(Continued)

**OTHER PUBLICATIONS**

“Wireless Communication Router,” Design U.S. Appl. No. 29/644,338,  
filed Apr. 17, 2018 under the applicant Furrion Property Holding  
Limited, 6 pages.

*Primary Examiner* — Jeffrey D Asch

*Assistant Examiner* — Rebekah A Caruso

(74) *Attorney, Agent, or Firm* — Faegre Drinker Biddle &  
Reath LLP

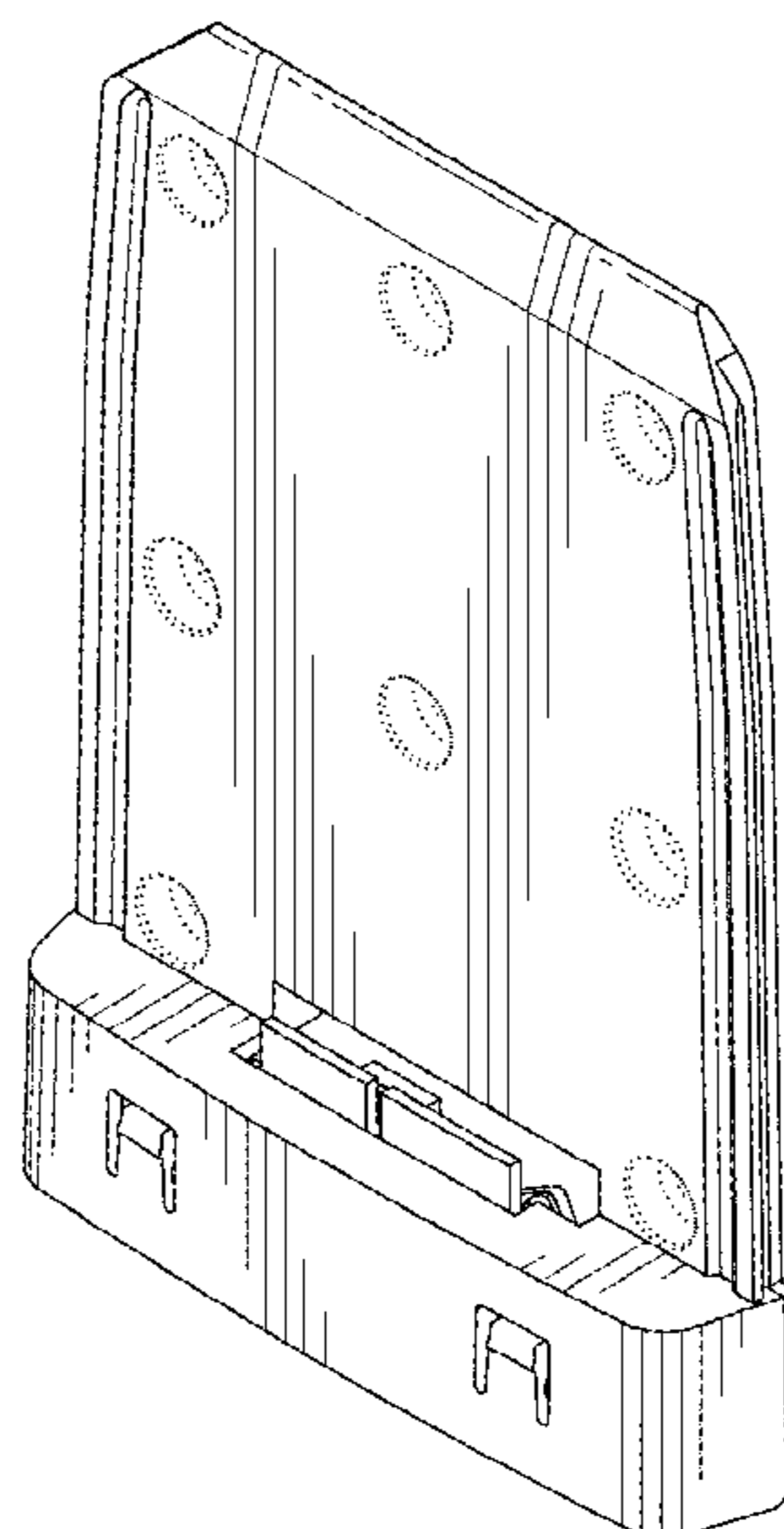
(57) **CLAIM**

The ornamental design for a wireless communication router  
mounting base, as shown and described.

**DESCRIPTION**

FIG. 1 is a top view of a wireless communication router  
mounting base illustrating my new design;  
FIG. 2 is a front view thereof;  
FIG. 3 is a rear view thereof;  
FIG. 4 is a bottom view thereof;  
FIG. 5 is a left side view thereof;  
FIG. 6 is a right side view thereof;  
FIG. 7 is a front perspective view thereof; and,  
FIG. 8 is another front perspective view thereof.  
Broken lines illustrate features that form no part of the  
claimed design.

**1 Claim, 5 Drawing Sheets**



(56)

**References Cited**

U.S. PATENT DOCUMENTS

D630,163 S \* 1/2011 Yeh ..... D13/108  
D722,043 S \* 2/2015 Requa ..... D13/108

\* cited by examiner

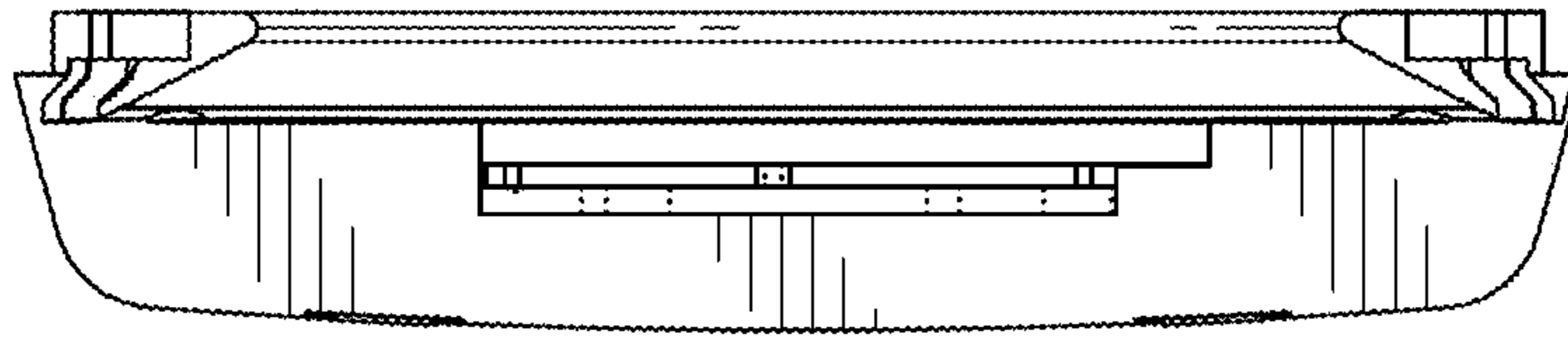


Fig. 1

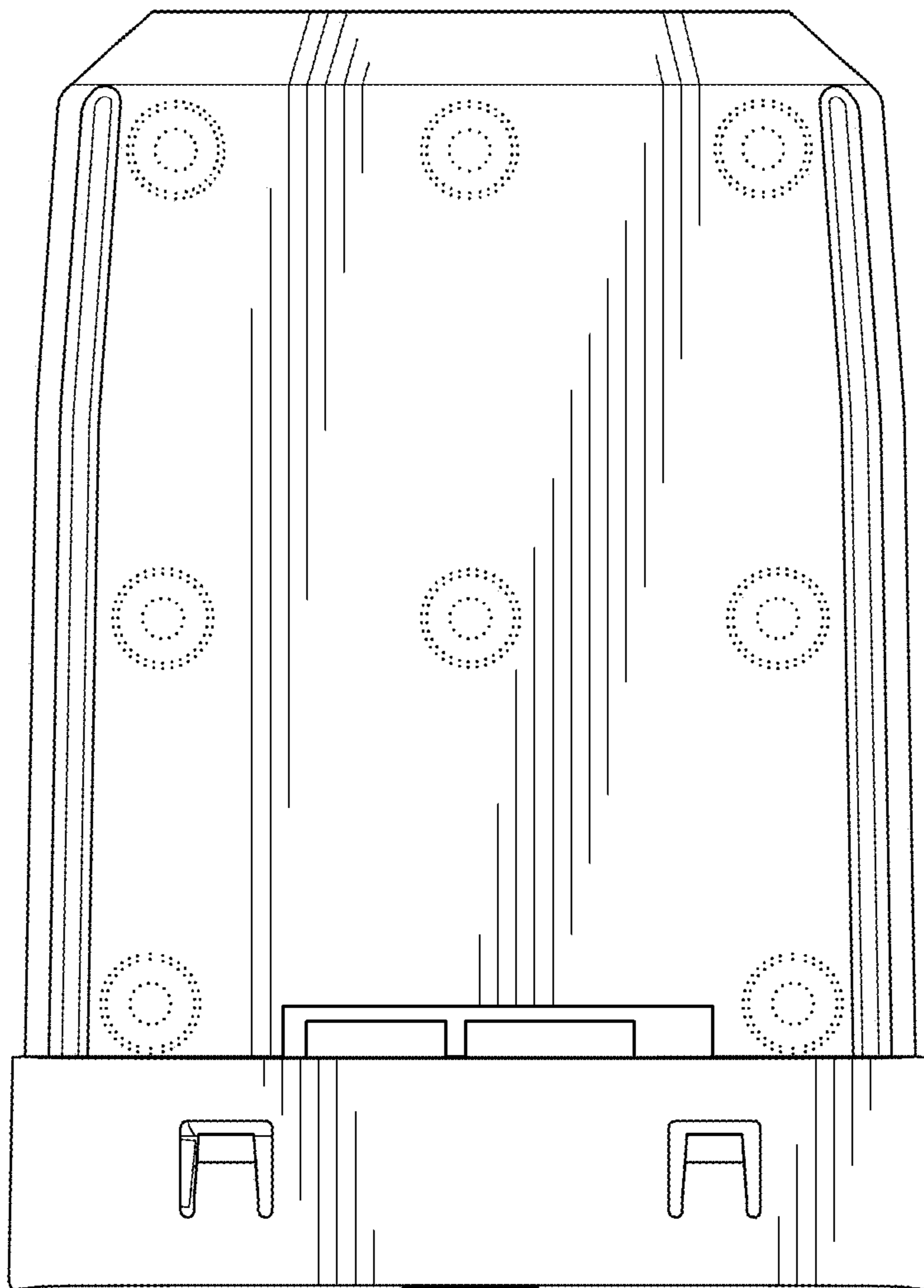


Fig. 2

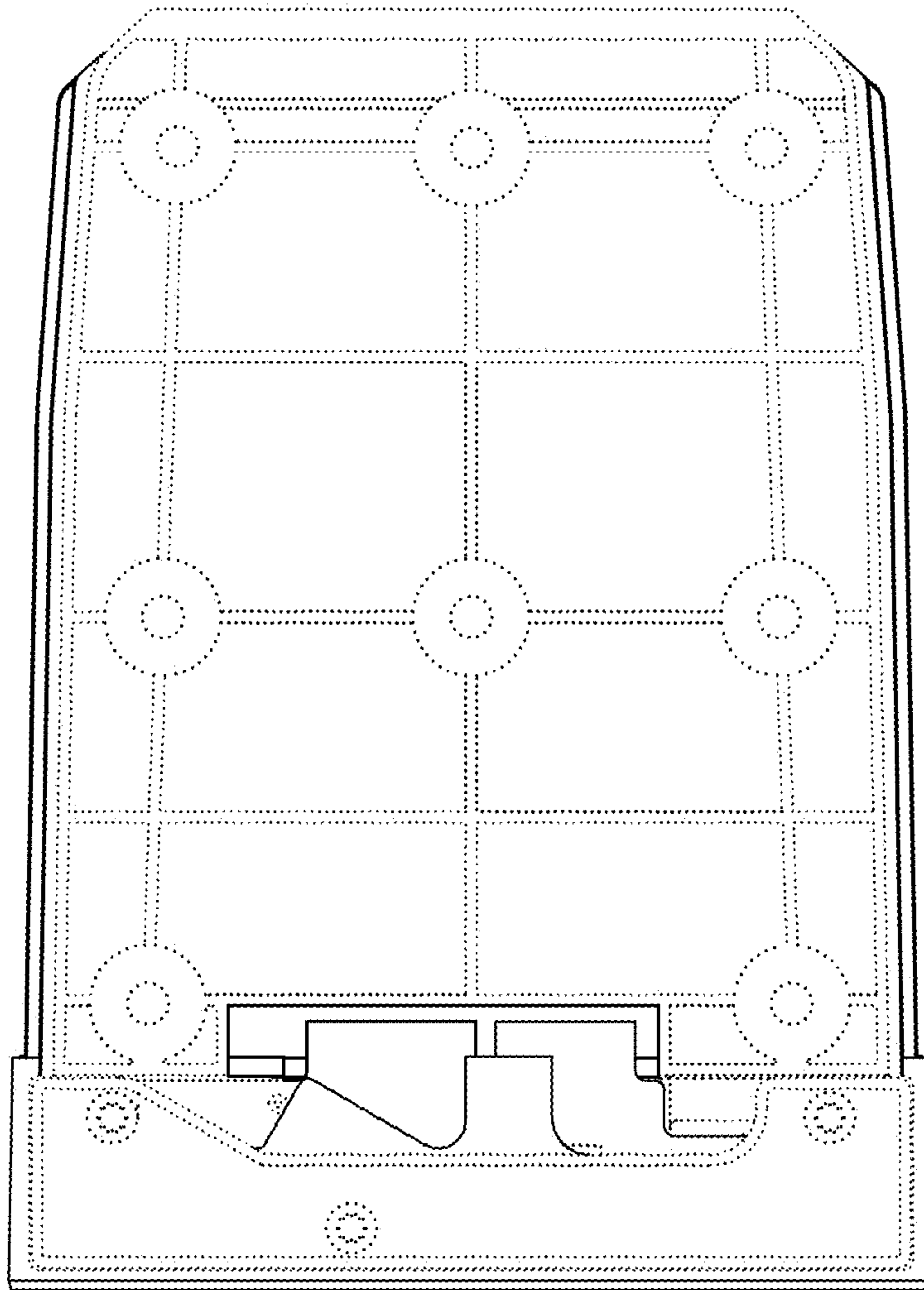


Fig. 3

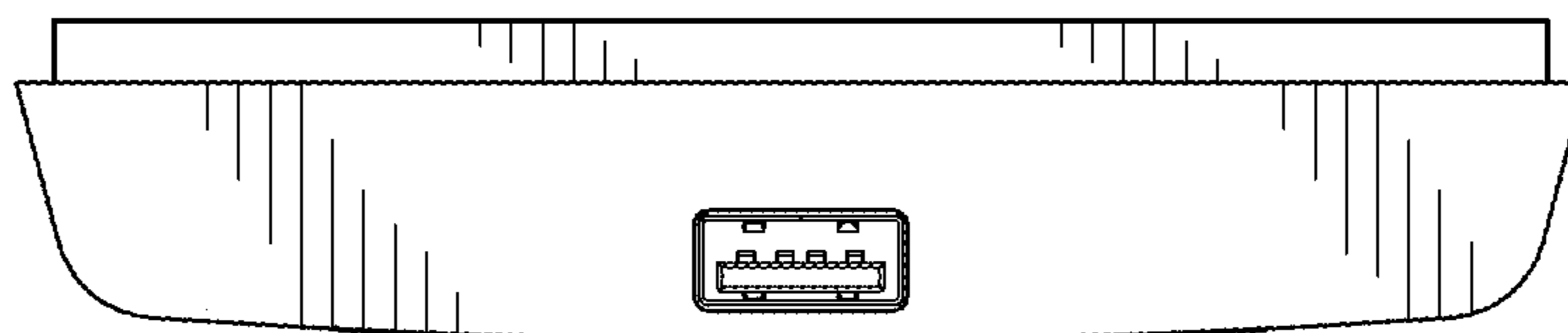


Fig. 4

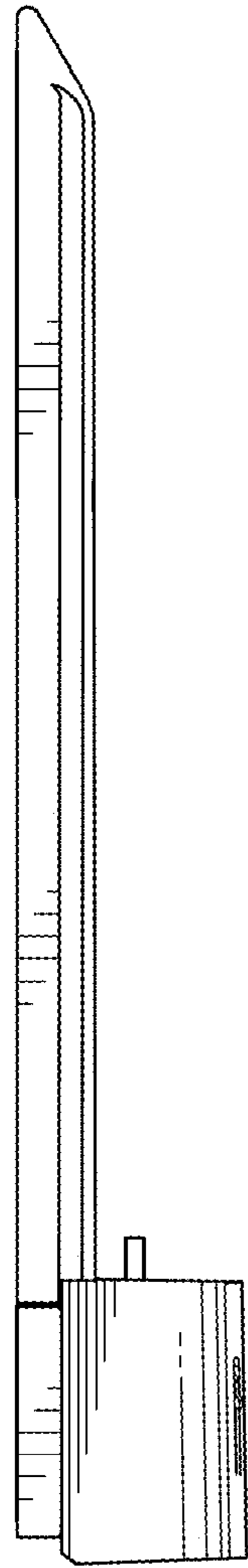


Fig. 5

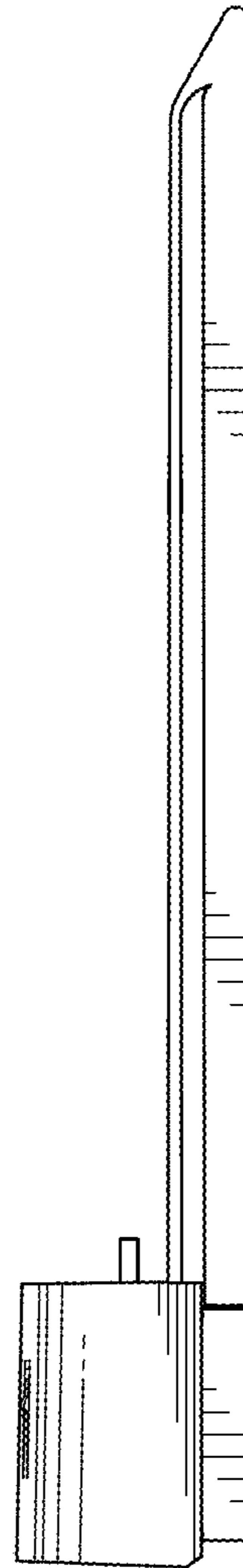


Fig. 6

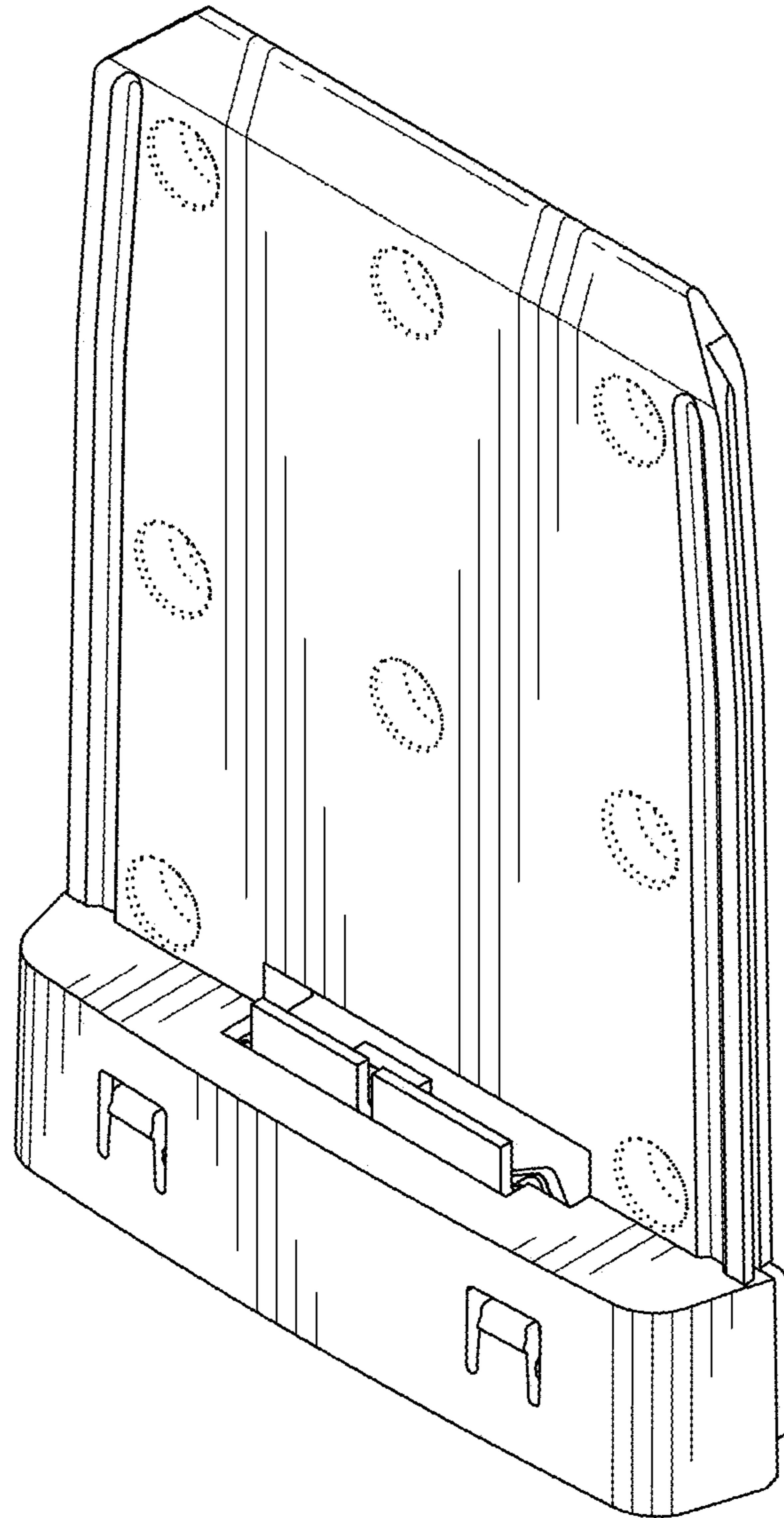


Fig. 7

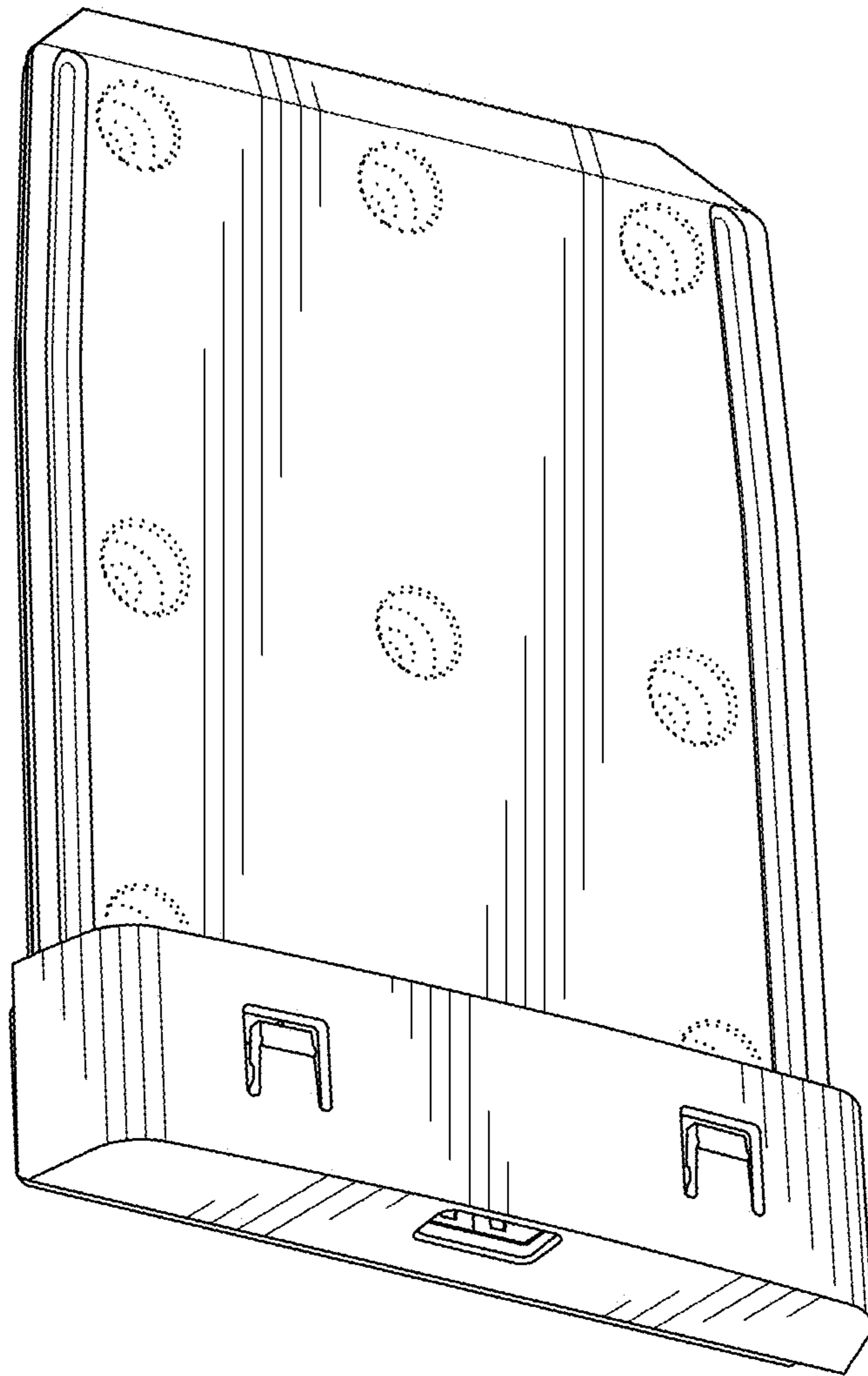


Fig. 8