



US00D894165S

(12) **United States Design Patent** (10) **Patent No.:** **US D894,165 S**
Jahnz (45) **Date of Patent:** **** Aug. 25, 2020**

(54) **CASE FOR AN ELECTRONIC COMMUNICATION DEVICE**
(71) Applicant: **David Jahnz**, San Diego, CA (US)
(72) Inventor: **David Jahnz**, San Diego, CA (US)
(**) Term: **15 Years**
(21) Appl. No.: **29/685,053**
(22) Filed: **Mar. 26, 2019**
(51) **LOC (12) Cl.** **14-03**
(52) **U.S. Cl.**
USPC **D14/250**
(58) **Field of Classification Search**
USPC D14/143, 199, 201, 202, 217, 250, 251,
D14/253, 440, 447, 316; D13/103, 119
CPC H04M 1/0283; H04M 1/0202; A45C 1/06;
A45C 2011/002; A45C 11/00; A45F
2005/028; A45F 2200/0525
See application file for complete search history.

(56) **References Cited**
U.S. PATENT DOCUMENTS
D651,205 S * 12/2011 Soekoro D14/250
D674,380 S * 1/2013 Soekoro D14/250
D684,357 S * 6/2013 Pegg D3/218
D687,026 S * 7/2013 Ruvolo D14/250
D711,866 S * 8/2014 Kawata D14/250
D752,418 S * 3/2016 Stacey D8/367
D753,974 S * 4/2016 Chang D8/57
D805,507 S * 12/2017 Jakobuco D14/250
D823,836 S * 7/2018 Eaton D14/229
D837,781 S * 1/2019 Ingram D14/250
D883,268 S * 5/2020 Daniel D14/250
2012/0031937 A1* 2/2012 Baker A45F 5/00
224/217
2012/0110868 A1* 5/2012 Abbondanzio B29C 63/02
33/645
2013/0148271 A1* 6/2013 Huang A45F 5/00
361/679.01

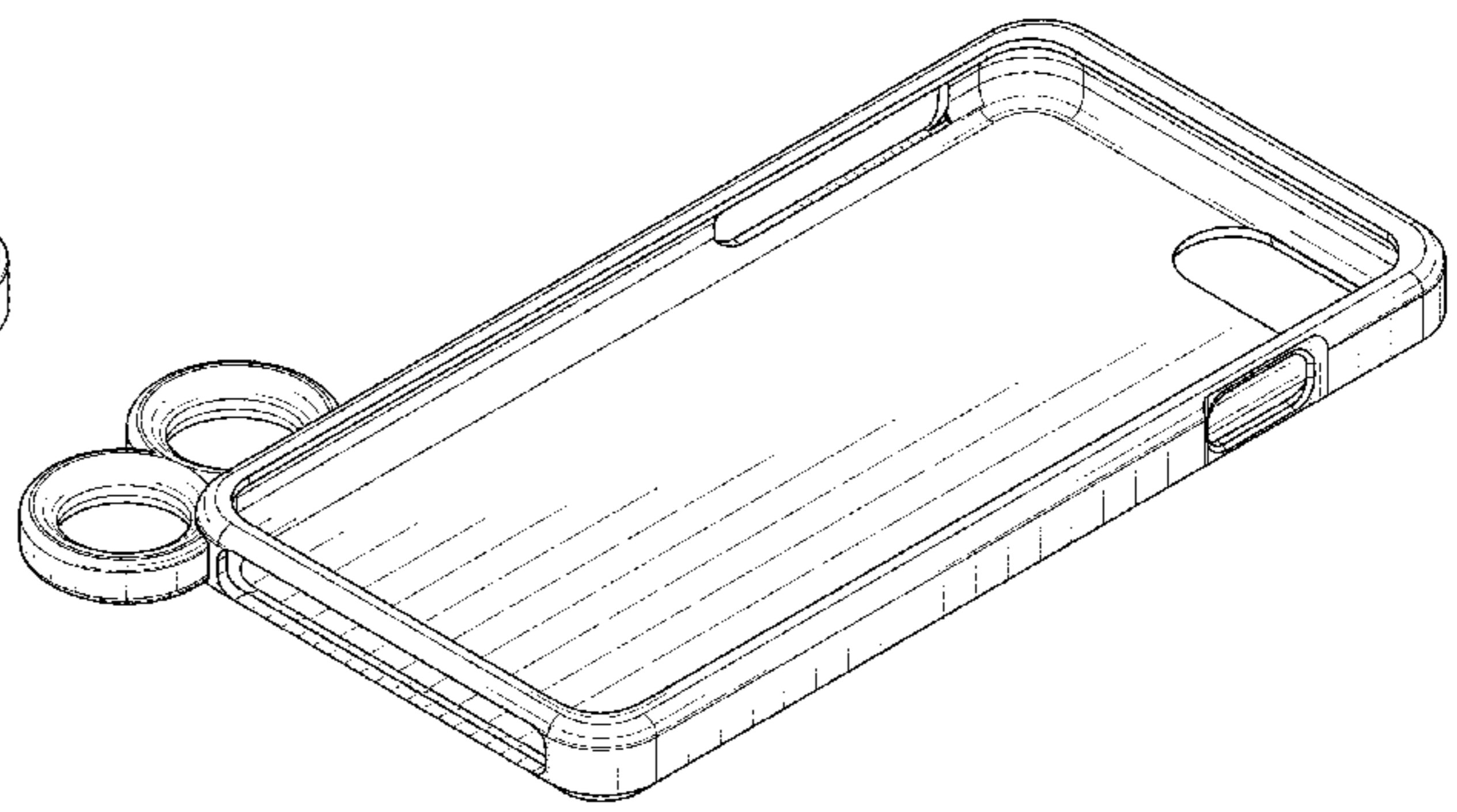
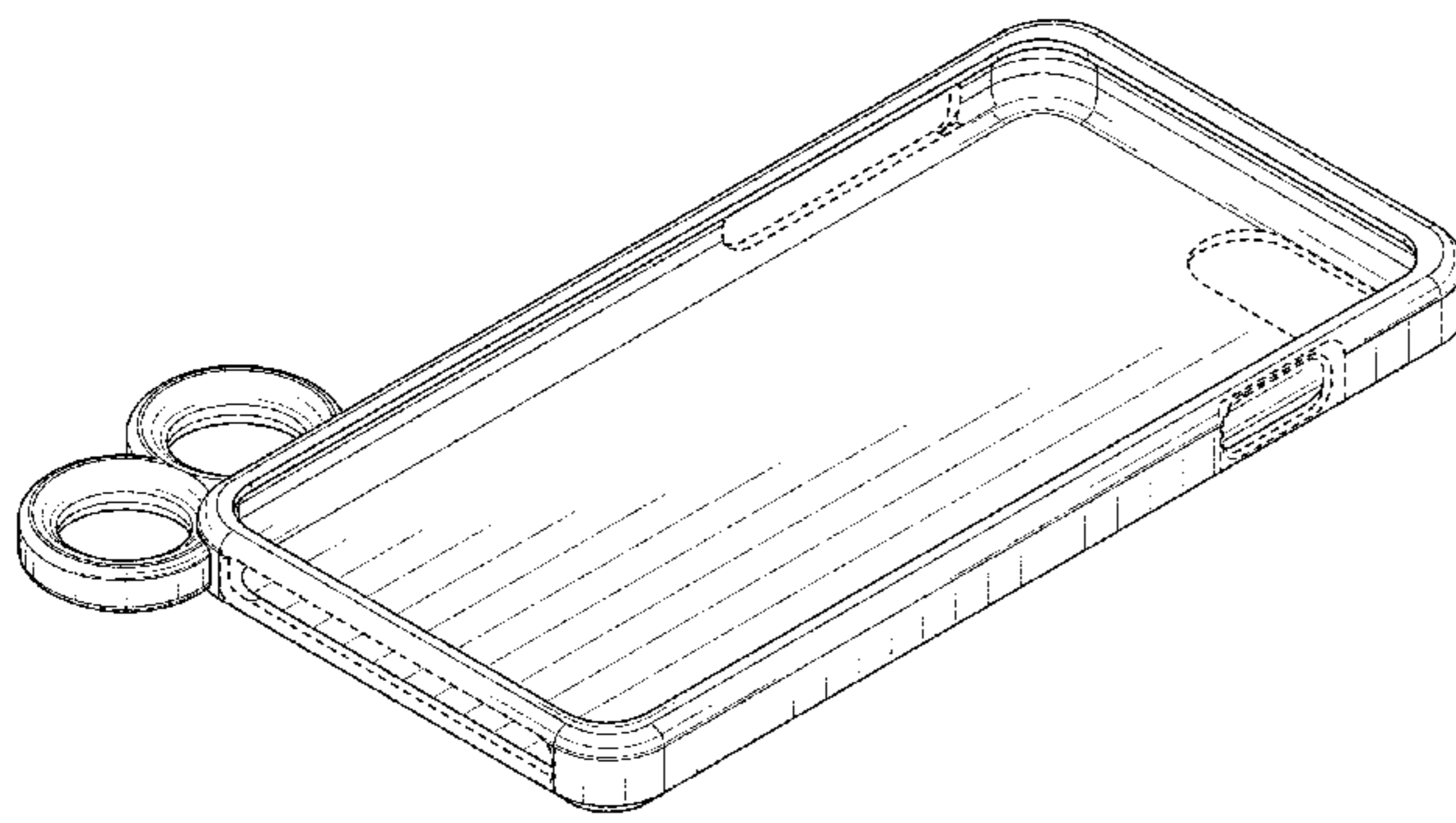
2013/0210503 A1* 8/2013 Keesling H04B 1/3888
455/575.1
2013/0279098 A1* 10/2013 Cho G06F 1/1626
361/679.01
2016/0049983 A1* 2/2016 Ripka H04M 1/04
455/575.6

* cited by examiner
Primary Examiner — Khawaja Anwar
Assistant Examiner — Mojtaba Tehrani
(74) *Attorney, Agent, or Firm* — Buche & Associates,
P.C.; John K. Buche; Bryce A. Johnson

(57) **CLAIM**
The ornamental design for a case for an electronic commu-
nication device, as shown and described.

DESCRIPTION
FIG. 1 is a perspective view of the first embodiment of a case
for an electronic communication device, showing my new
design;
FIG. 2 is a bottom view thereof;
FIG. 3 is a top view thereof;
FIG. 4 is a left-side view thereof;
FIG. 5 is a right-side view thereof;
FIG. 6 is a front view thereof;
FIG. 7 is a rear view thereof;
FIG. 8 is a perspective view of the second embodiment of a
case for an electronic communication device, showing my
new design;
FIG. 9 is a bottom view thereof;
FIG. 10 is a top view thereof;
FIG. 11 is a left-side view thereof;
FIG. 12 is a right-side view thereof;
FIG. 13 is a front view thereof; and,
FIG. 14 is a rear view thereof.
The broken lines in the drawings depict unclaimed portion
of the case only and form no part of the claimed design.

1 Claim, 8 Drawing Sheets



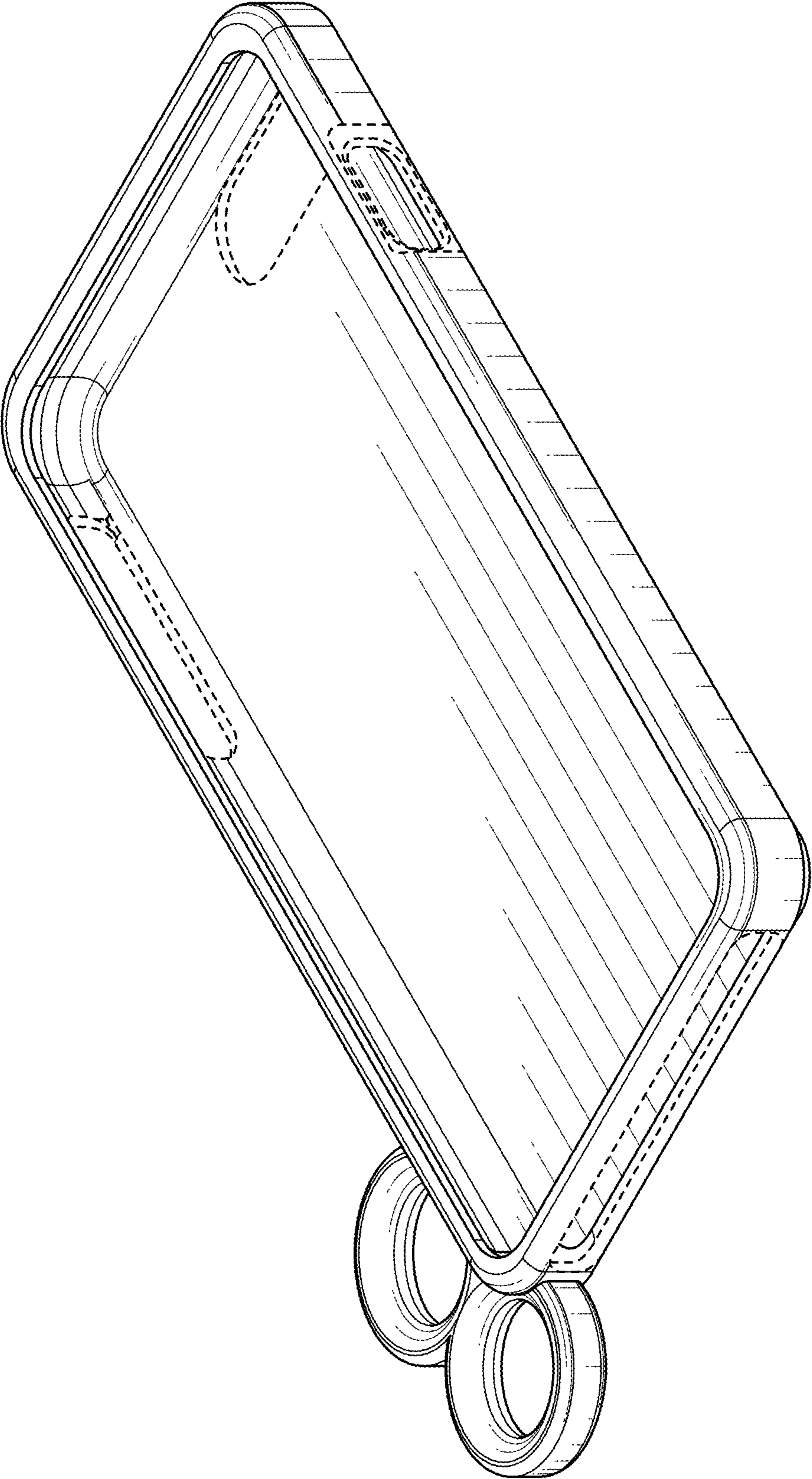


FIG. 1

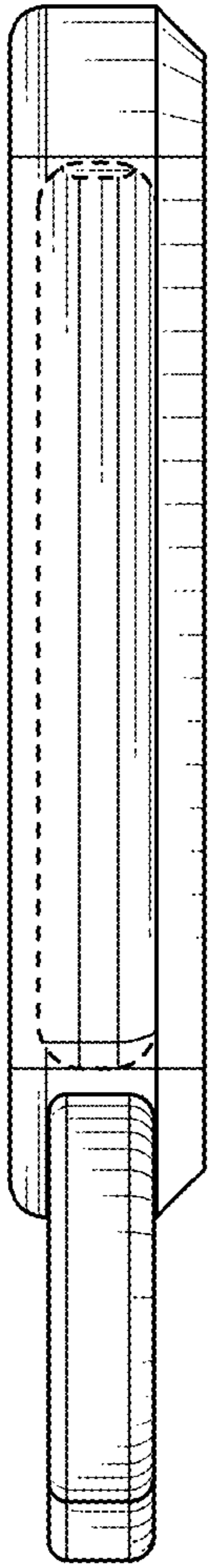


FIG. 2

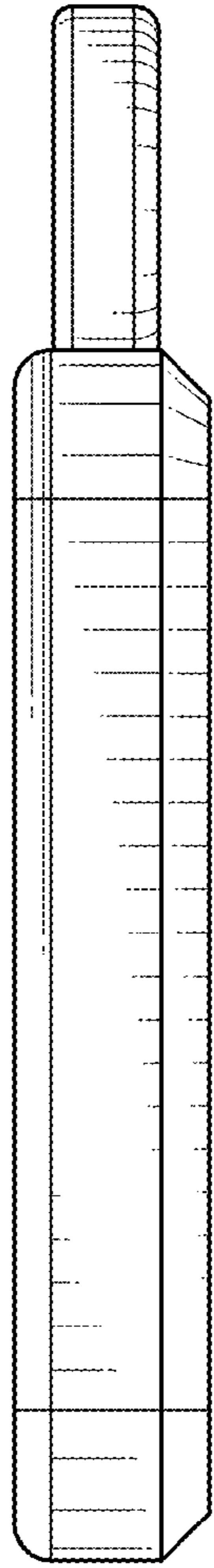


FIG. 3

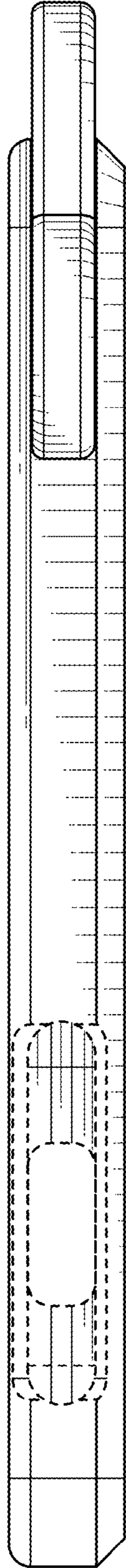


FIG. 4

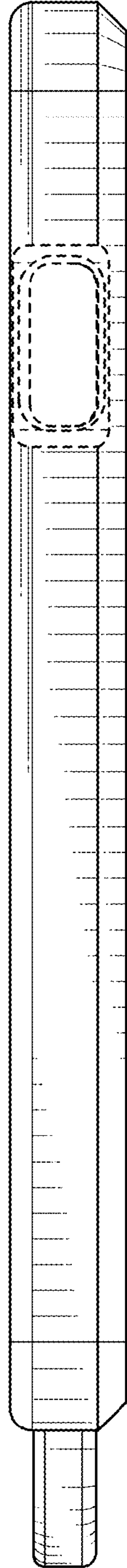


FIG. 5

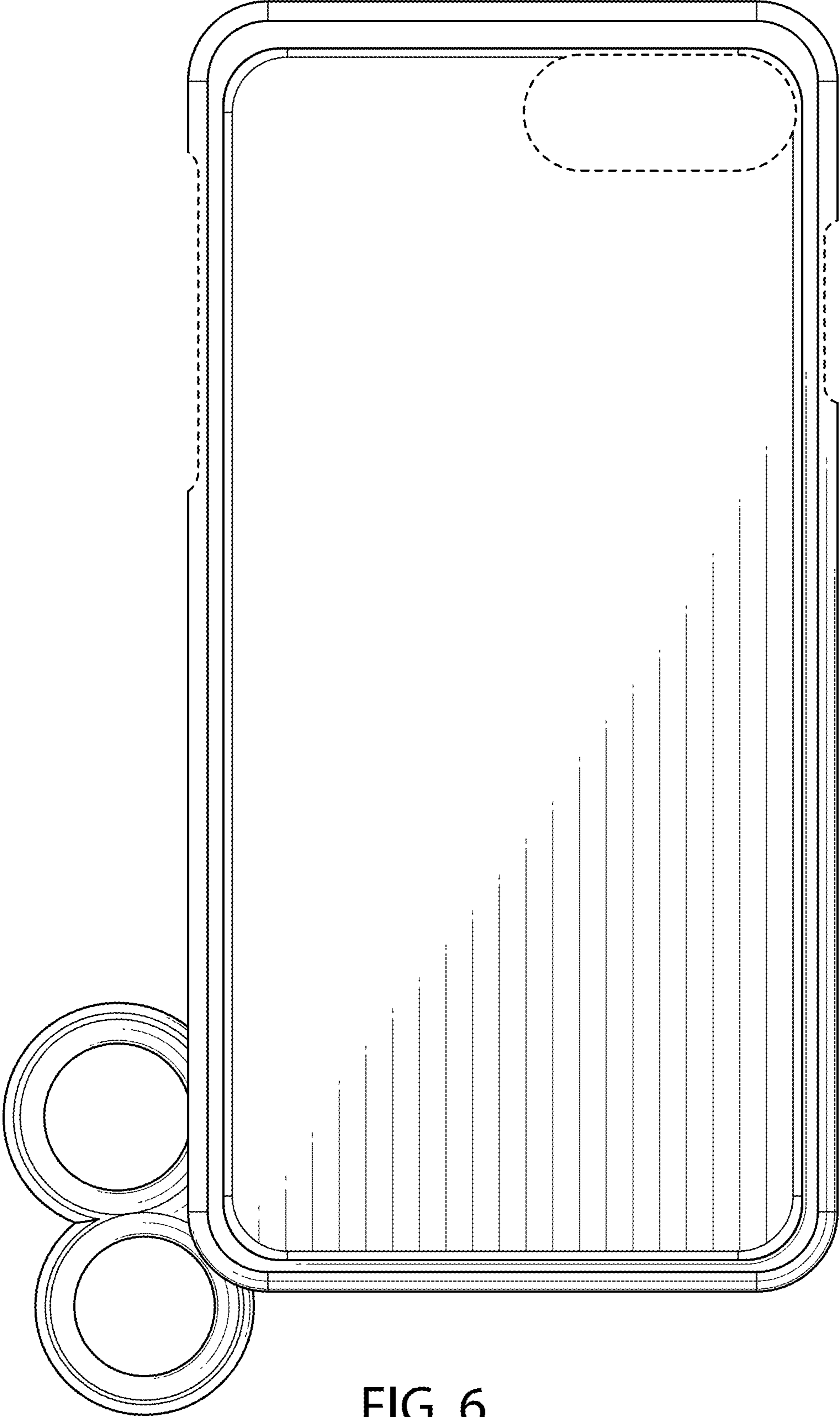


FIG. 6

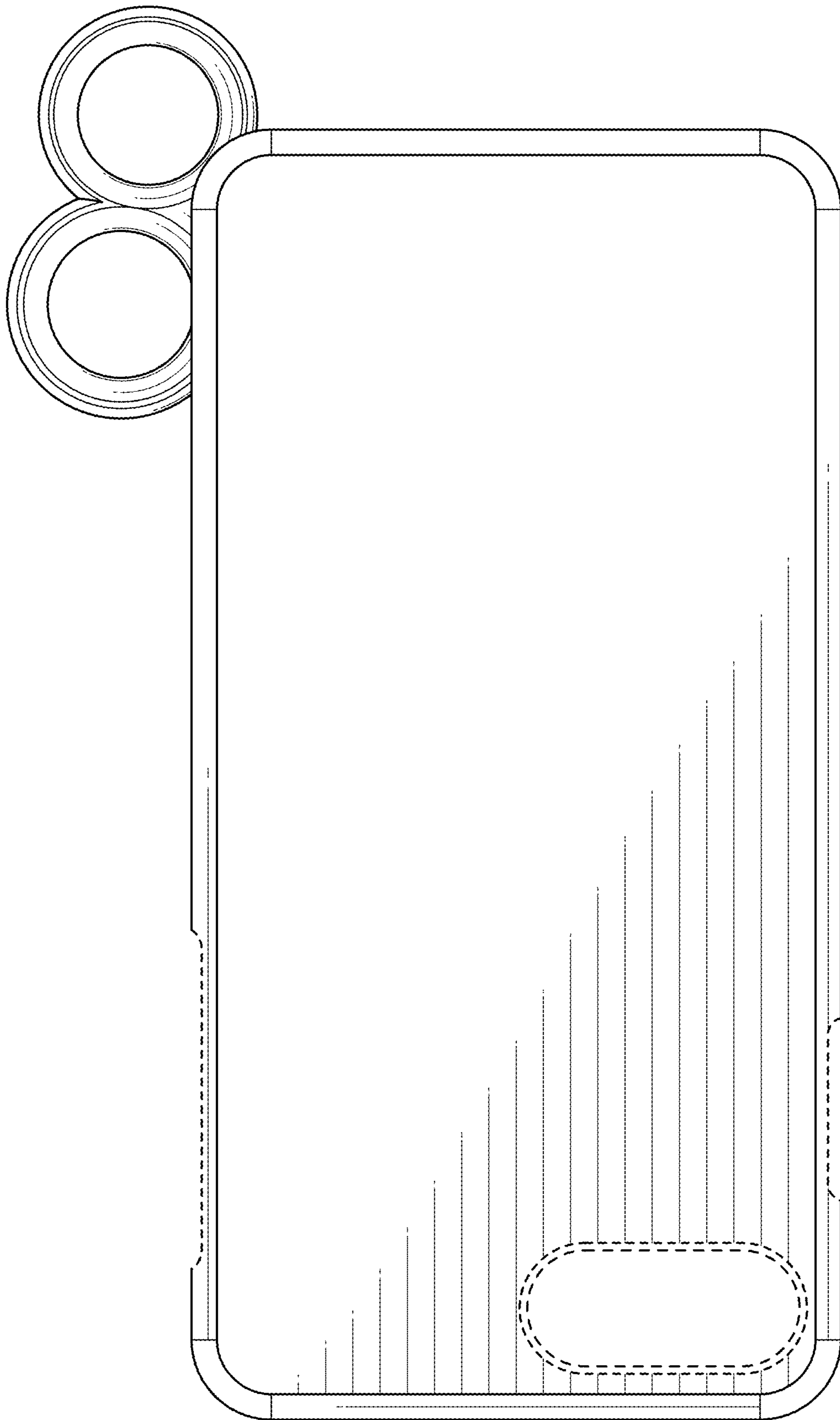


FIG. 7

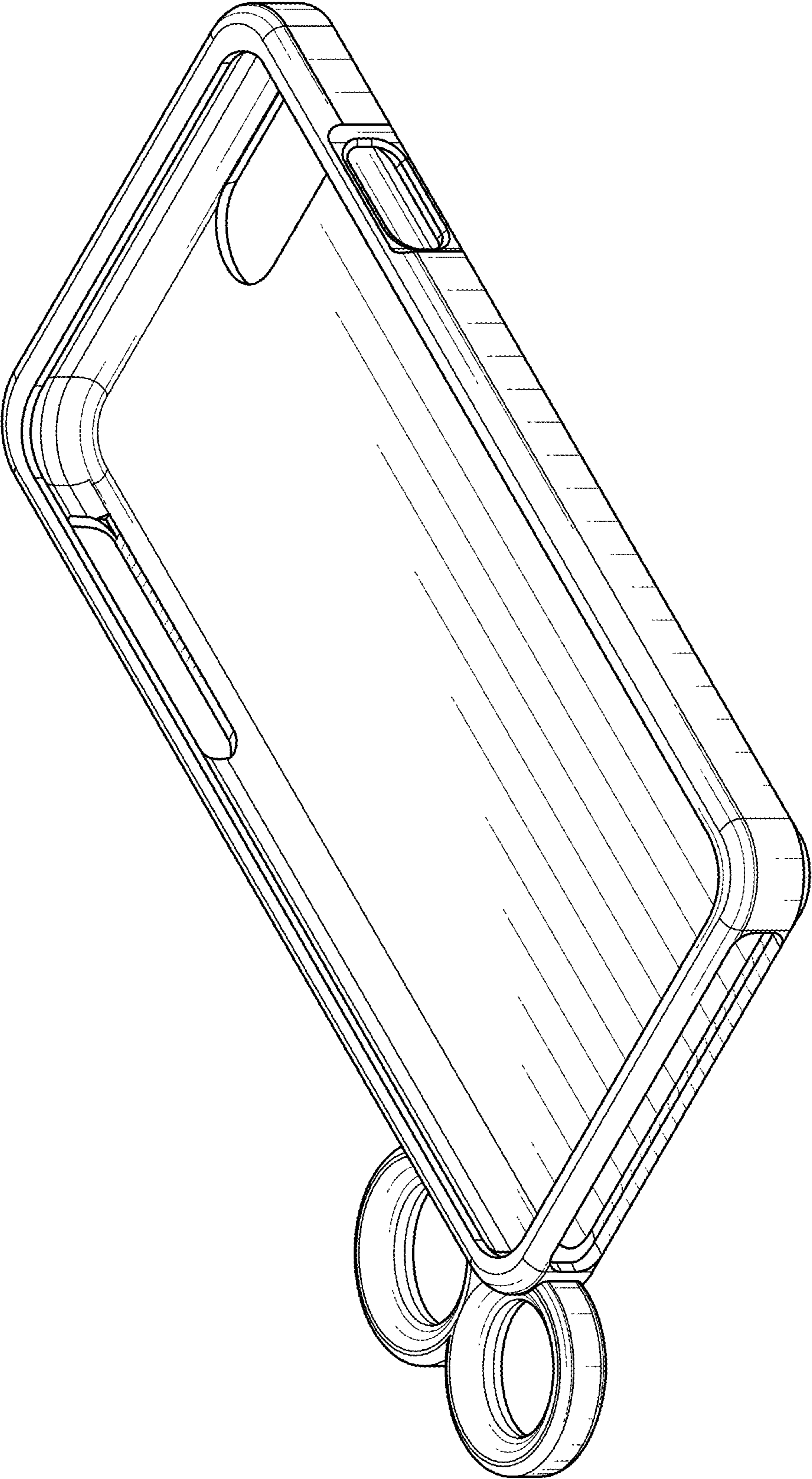


FIG. 8

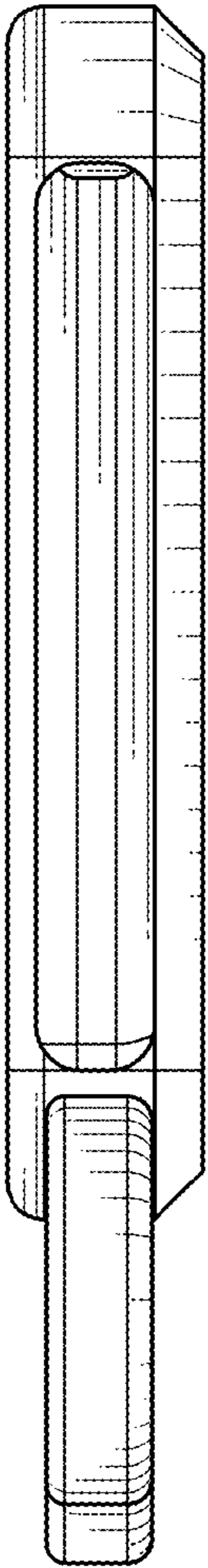


FIG. 9

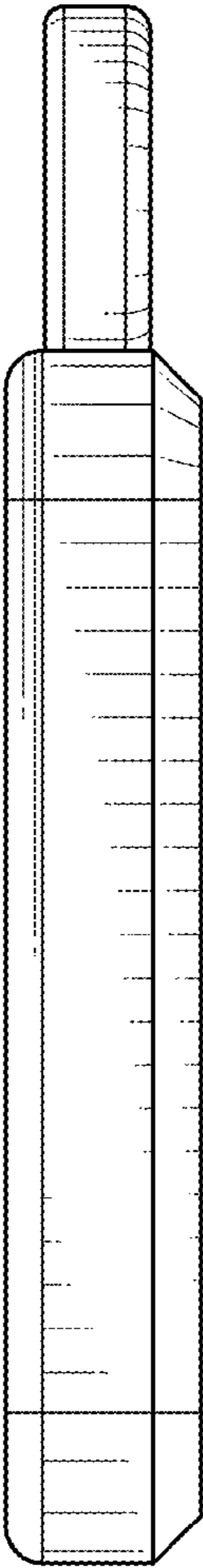


FIG. 10

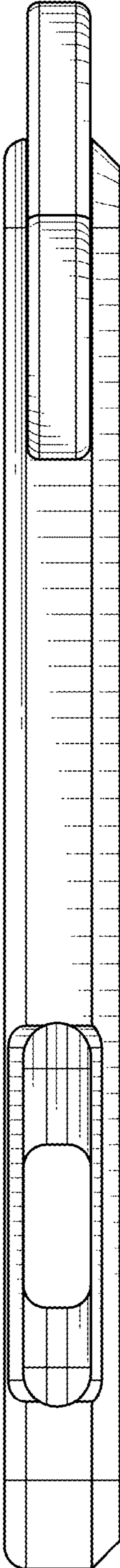


FIG. 11

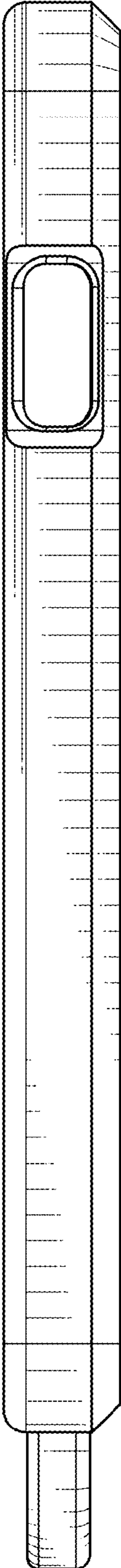


FIG. 12

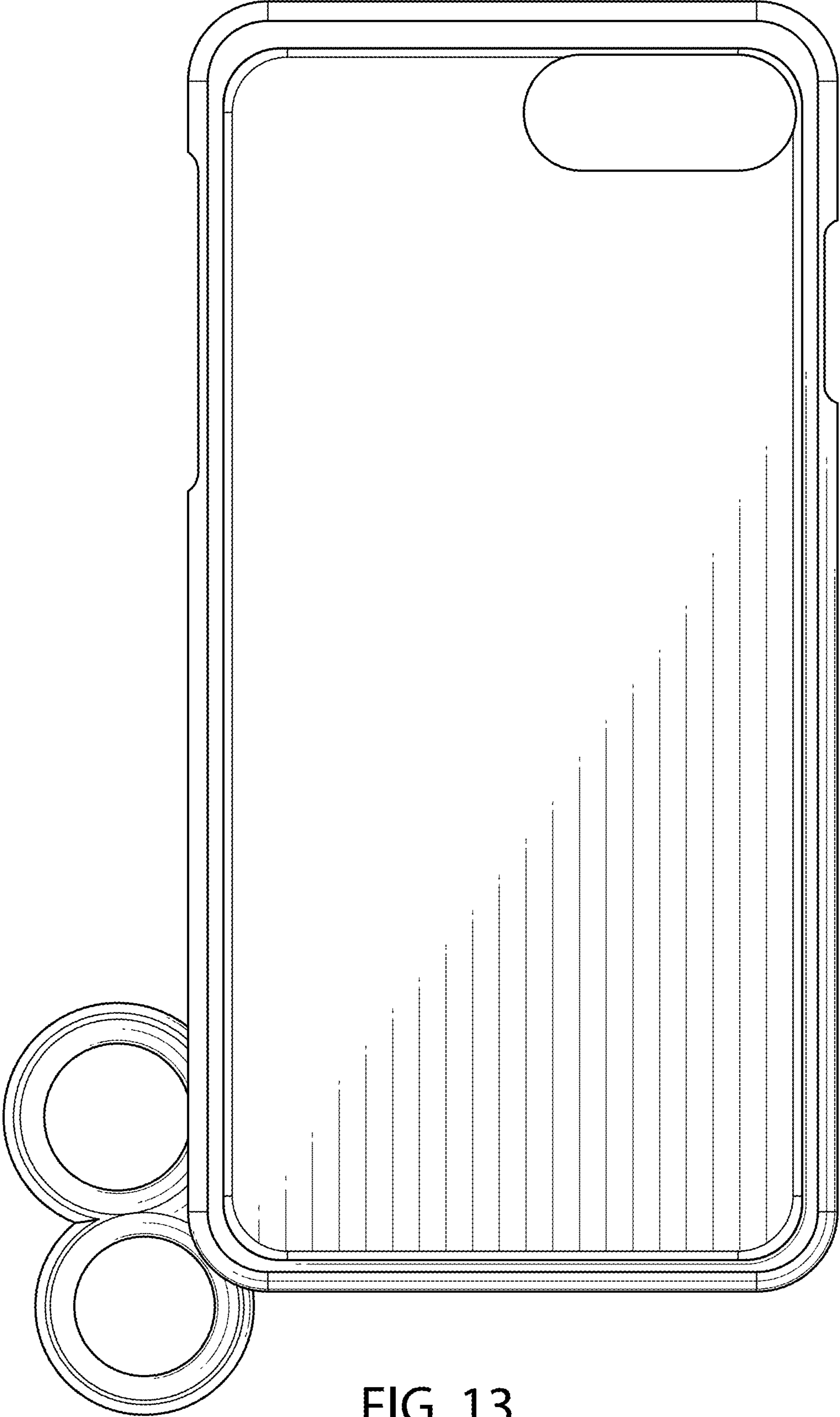


FIG. 13

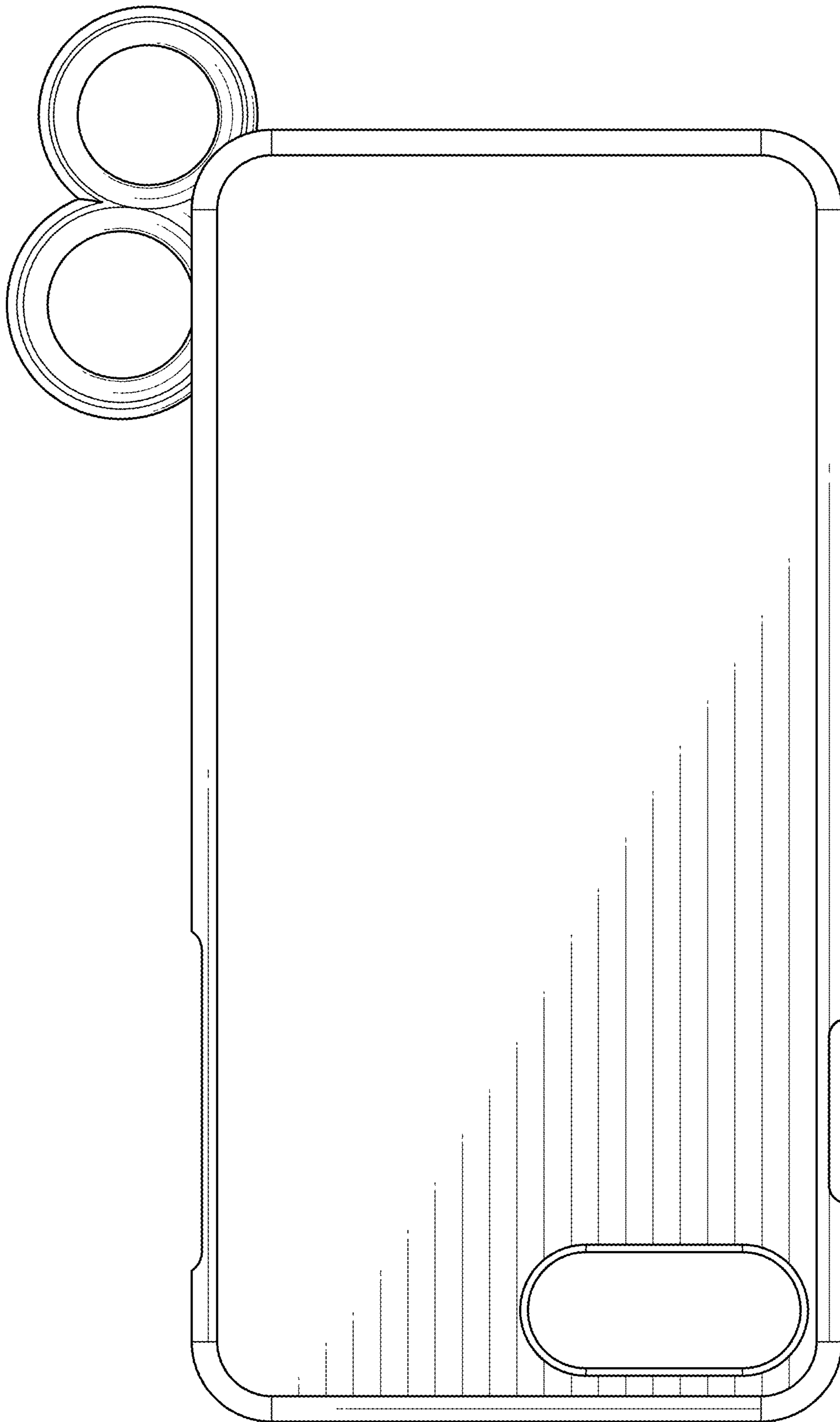


FIG. 14