



US00D894162S

(12) **United States Design Patent** (10) **Patent No.:** **US D894,162 S**
Carroll et al. (45) **Date of Patent:** **** Aug. 25, 2020**

(54) **IOT GATEWAY**

(71) Applicant: **FW Murphy Production Controls, LLC, Tulsa, OK (US)**

(72) Inventors: **J. Michael Carroll, San Antonio, TX (US); Justin H. Sanders, San Antonio, TX (US); Trevor M. Harper, Boerne, TX (US)**

(73) Assignee: **FW Murphy Production Controls, LLC, Tulsa, OK (US)**

(**) Term: **15 Years**

(21) Appl. No.: **29/662,040**

(22) Filed: **Aug. 31, 2018**

(51) **LOC (12) Cl.** **14-03**

(52) **U.S. Cl.**
USPC **D14/242**

(58) **Field of Classification Search**
USPC D14/240, 242, 357, 358, 355, 125, 126,
D14/204, 214, 215, 216, 137
CPC . H04L 12/66; H04L 63/0853; H04L 63/0272;
H04L 63/083; H04L 63/105; H05K 7/20;
H05K 7/20154

See application file for complete search history.

(56) **References Cited**

U.S. PATENT DOCUMENTS

D342,250 S	*	12/1993	Beaumont	D13/184
D347,004 S	*	5/1994	Beaumont	D14/137
D595,691 S	*	7/2009	Bradford	D14/214
D628,573 S	*	12/2010	Wang	D14/356

D743,359 S	*	11/2015	Tatem	D14/125
D789,361 S	*	6/2017	Ali	D14/358
D797,087 S	*	9/2017	Burton	D14/242
D813,212 S	*	3/2018	Nangeroni	D14/240
D831,014 S	*	10/2018	Delibie	D14/242
D831,612 S	*	10/2018	Usuru	D14/214
D837,208 S	*	1/2019	Ali	D14/358
D855,078 S	*	7/2019	Johnson	D14/496
2017/0105703 A1	*	4/2017	Han	A61B 8/565

* cited by examiner

Primary Examiner — Bridget L Eland

(74) *Attorney, Agent, or Firm* — William H. Quirk; Jesse L. Frizzell; Rosenthal Pauerstein Sandoloski Agather LLP

(57) **CLAIM**

We claim the ornamental design for an IoT gateway, substantially as shown and described.

DESCRIPTION

FIG. 1 is a perspective view of the IoT gateway in accordance with the present design.

FIG. 2 is a front elevational view of the IoT gateway of FIG. 1.

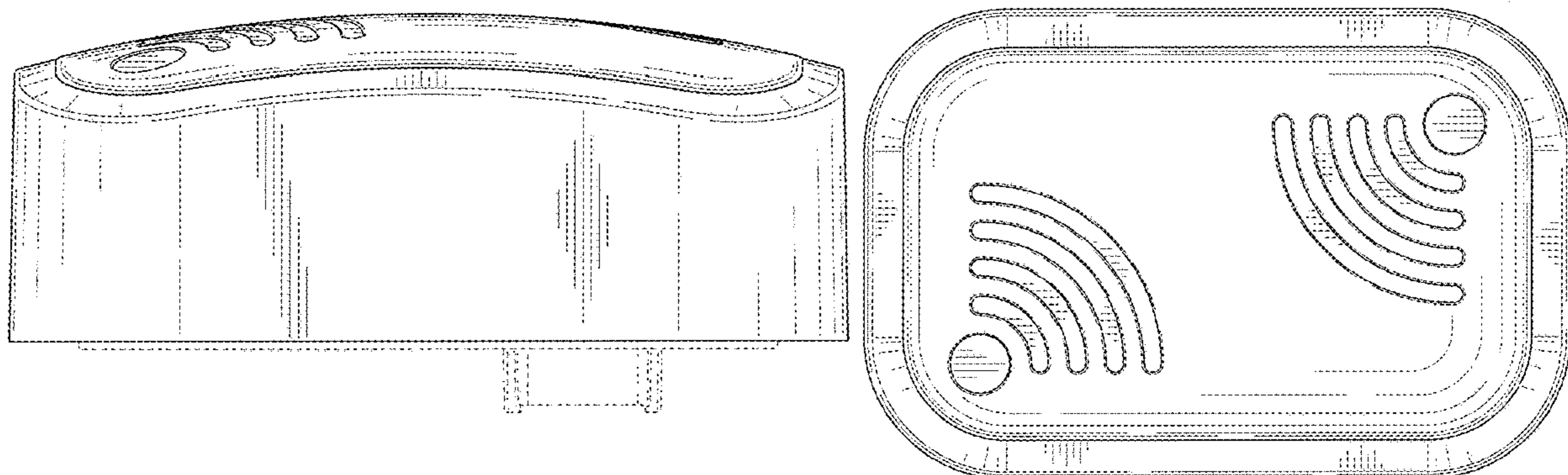
FIG. 3 is a rear elevational view of the IoT gateway of FIG. 1.

FIG. 4 is a right side elevational view of the IoT gateway of FIG. 1.

FIG. 5 is a left side elevational view of the IoT gateway of FIG. 1.

FIG. 6 is a top plan view of the IoT gateway of FIG. 1; and, FIG. 7 is a bottom plan view of the IoT gateway of FIG. 1. The broken lines shown on the drawing views are for the purpose of illustrating environmental structure and form no part of the claimed design.

1 Claim, 4 Drawing Sheets



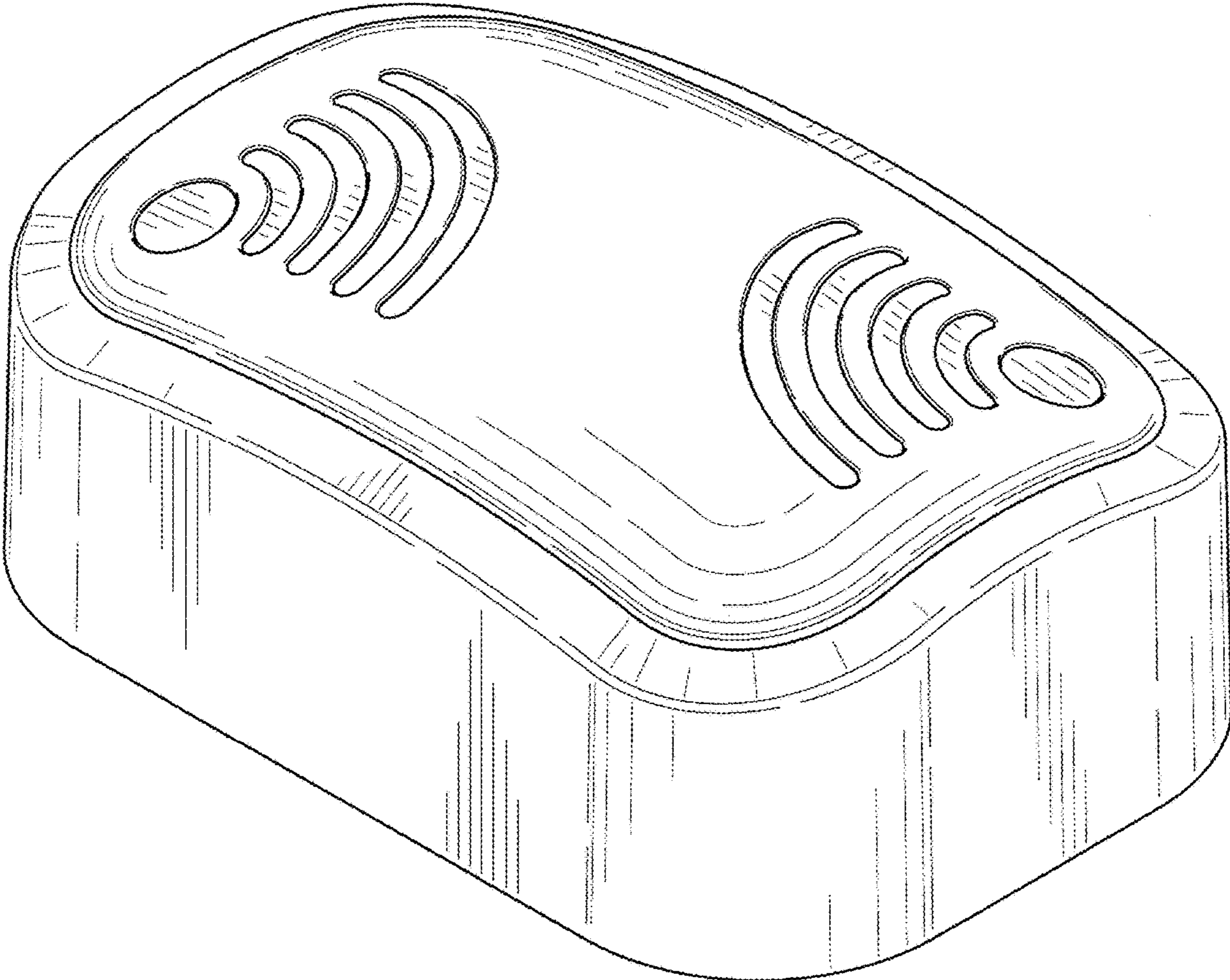


Fig. 1

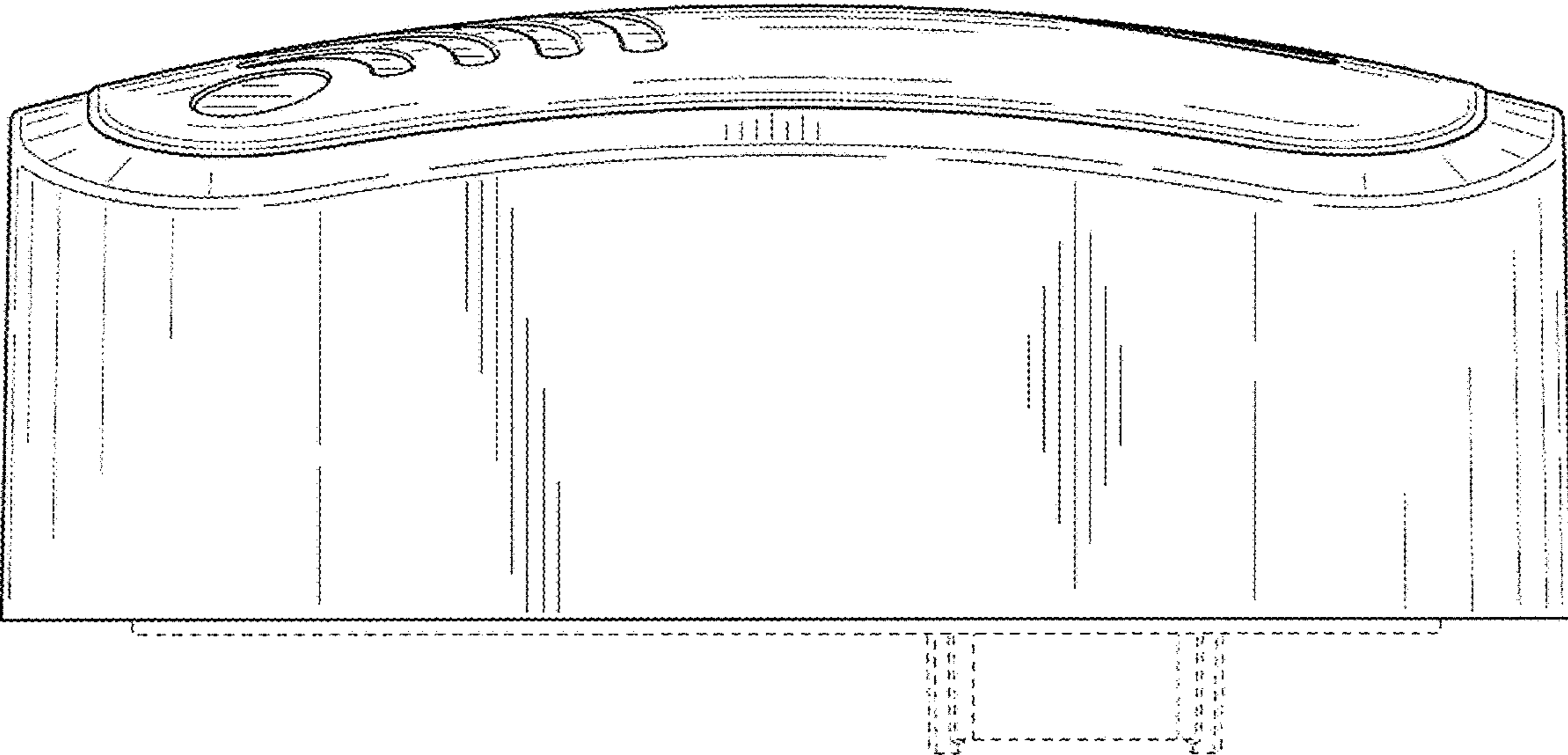


Fig. 2

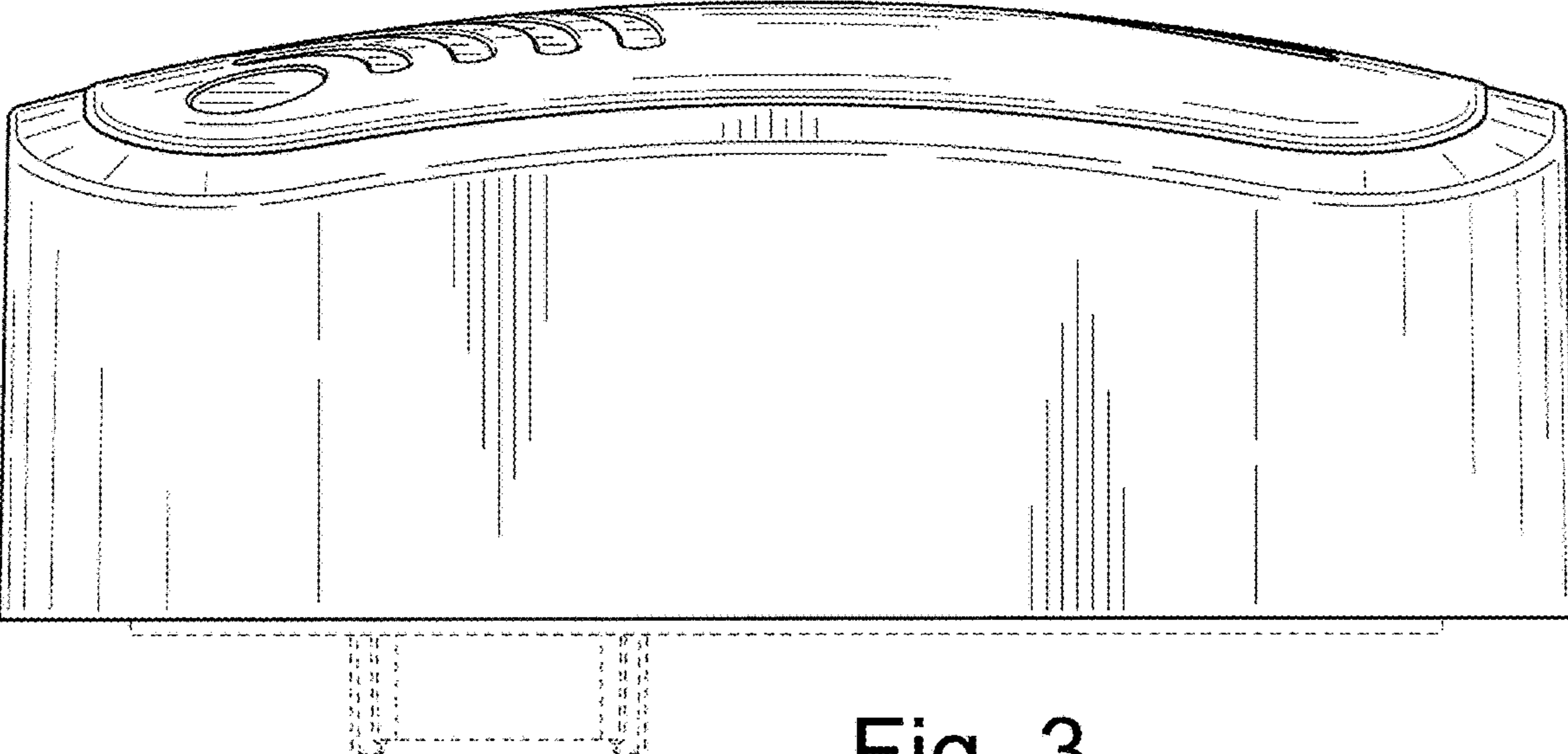


Fig. 3

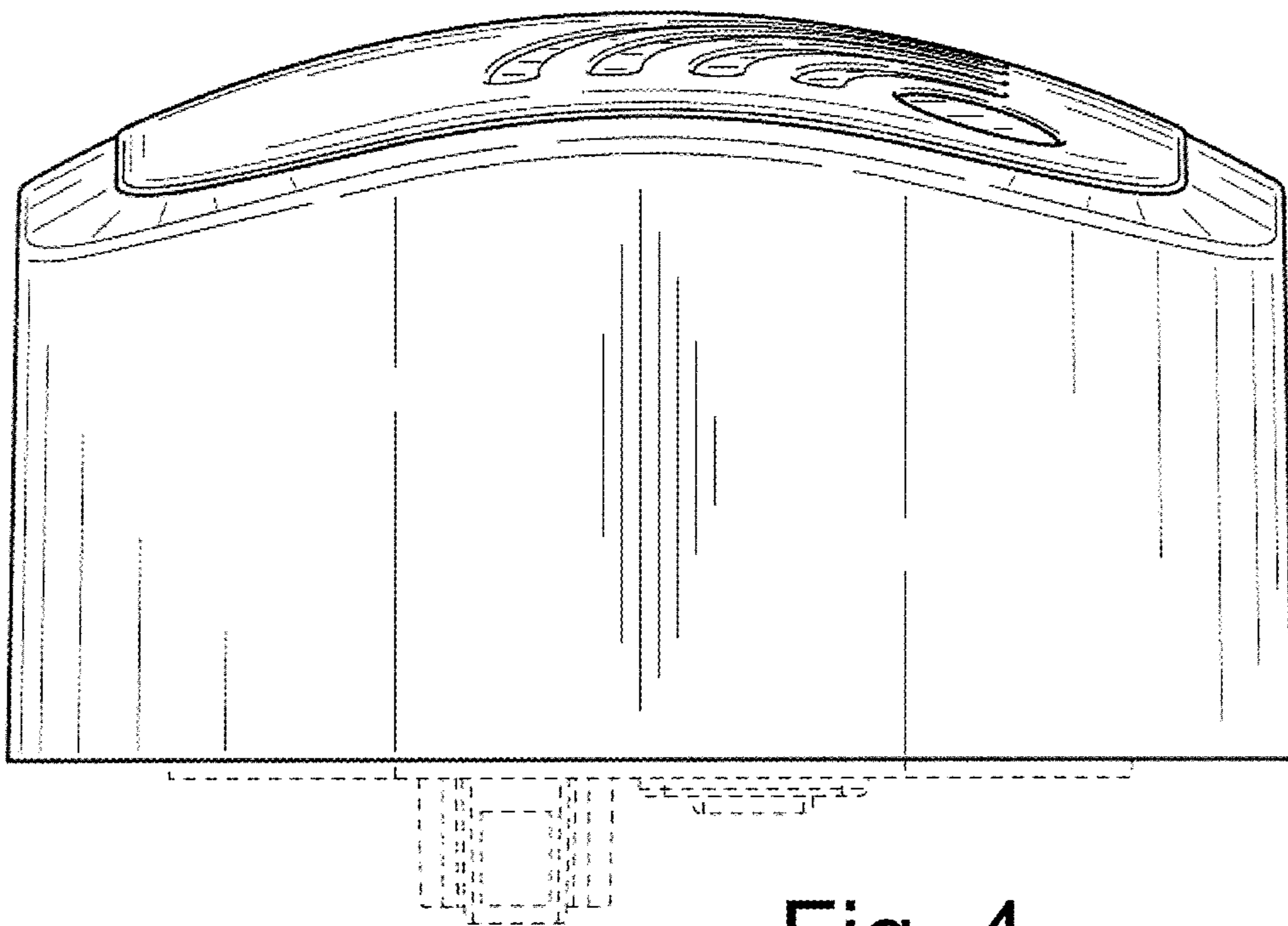


Fig. 4

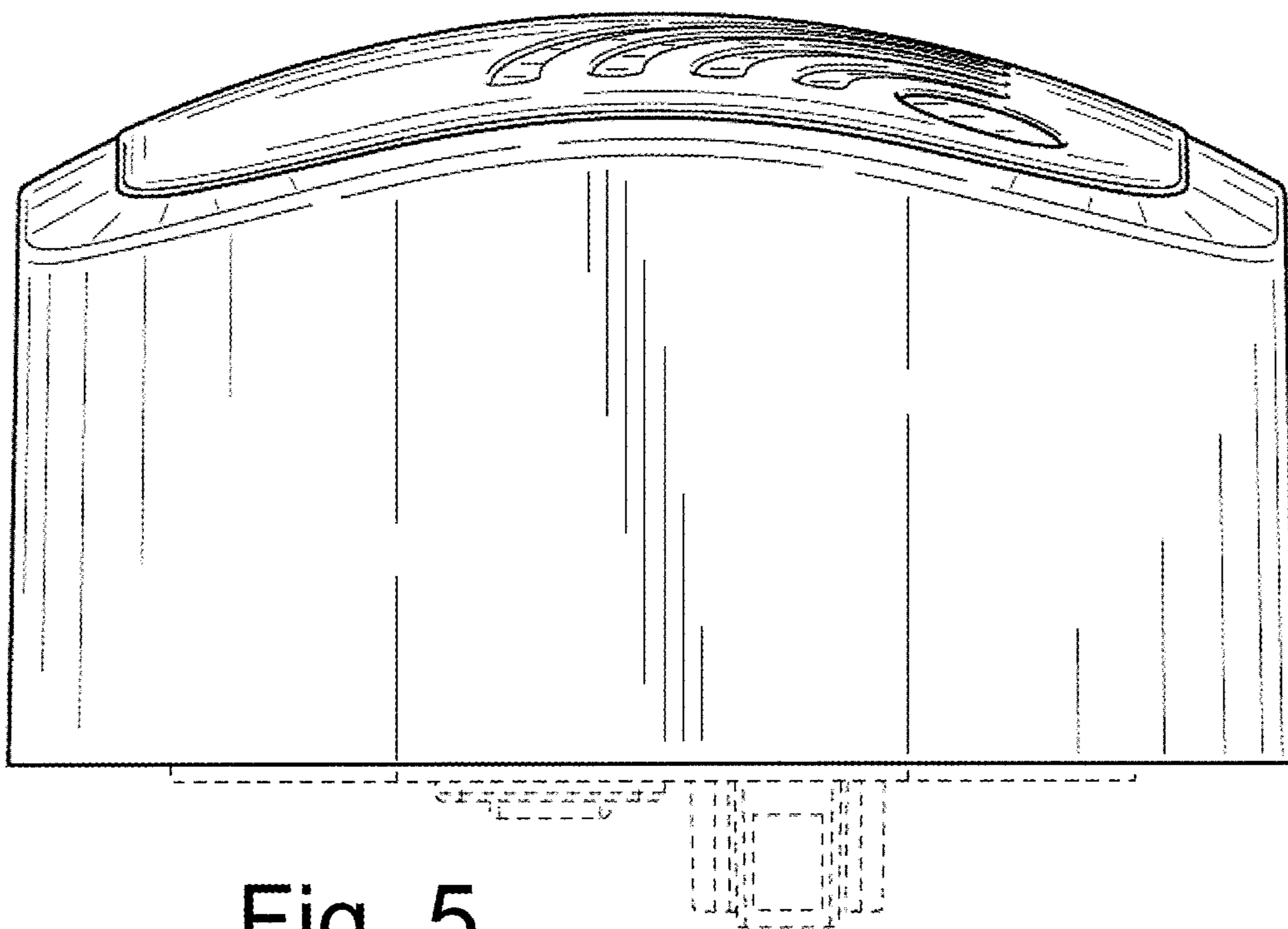


Fig. 5

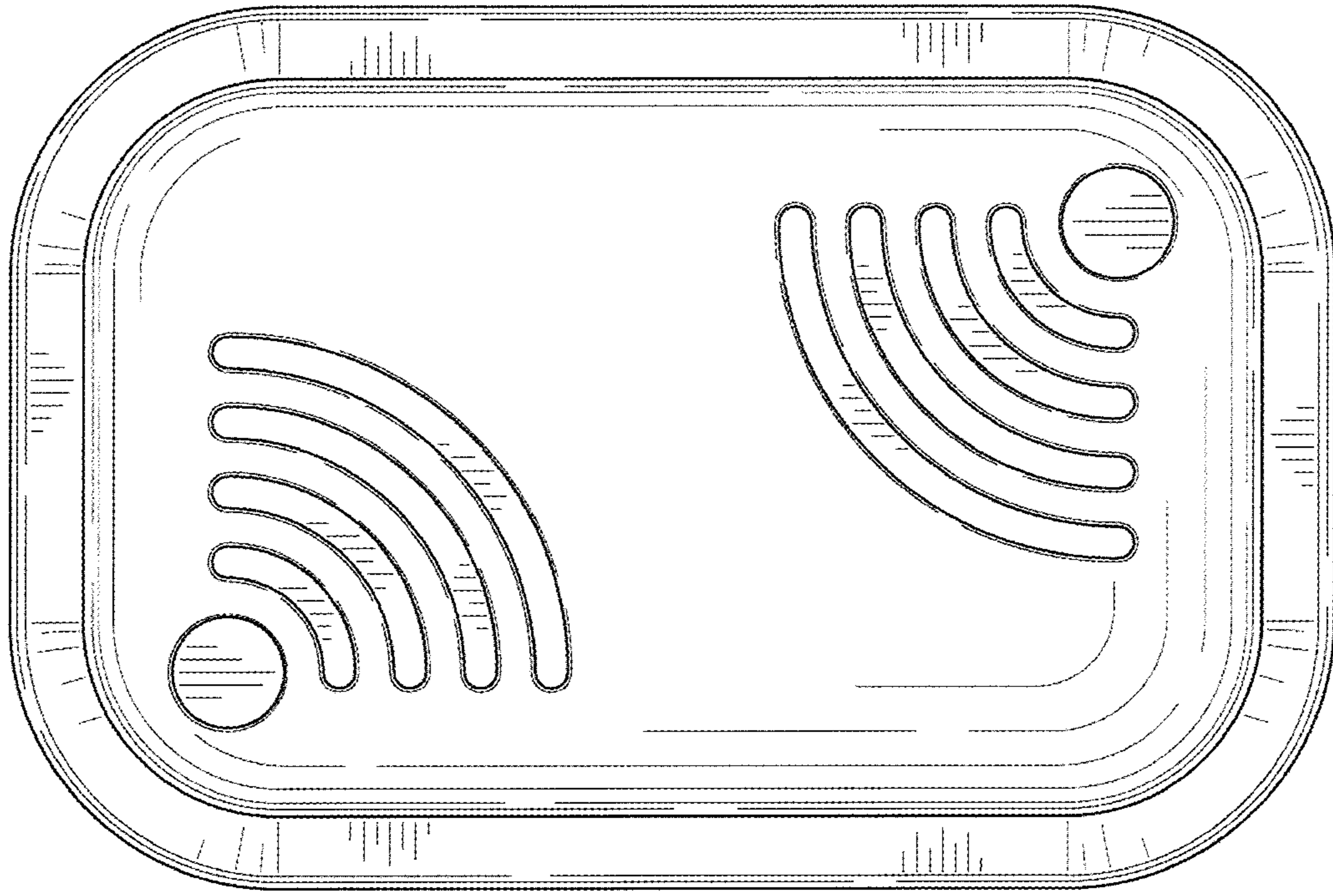


Fig. 6

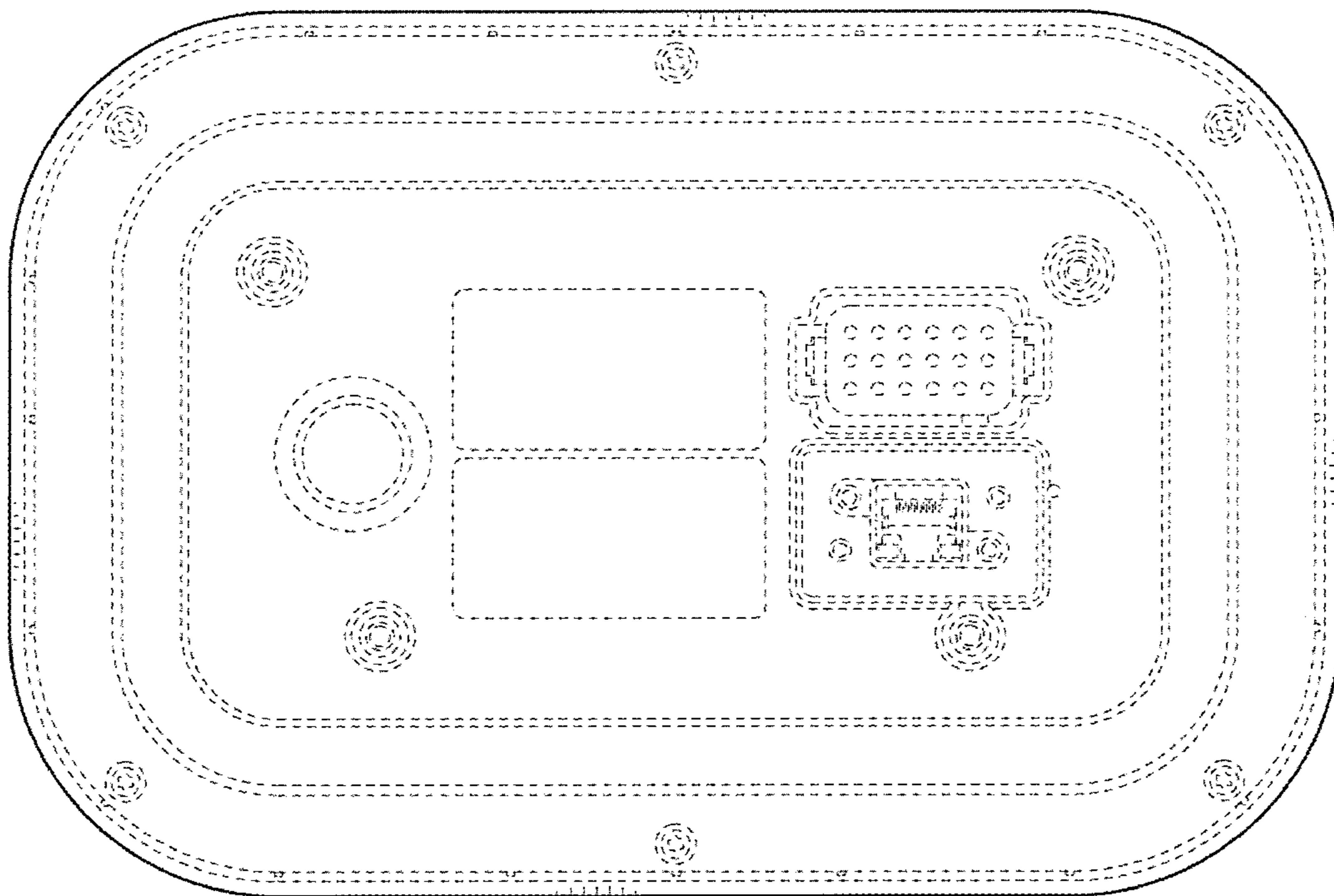


Fig. 7