



US00D894161S

(12) **United States Design Patent** (10) **Patent No.:** **US D894,161 S**
Ye (45) **Date of Patent:** **** Aug. 25, 2020**

(54) **WIRELESS MICROPHONE**
(71) Applicant: **Shenzhen Zhengguang Imaging Equipment Co., Ltd.**, Longhua District, Shenzhen (CN)
(72) Inventor: **Zuohang Ye**, Shenzhen (CN)
(**) Term: **15 Years**
(21) Appl. No.: **29/734,190**
(22) Filed: **May 11, 2020**
(51) **LOC (12) Cl.** **14-01**
(52) **U.S. Cl.**
USPC **D14/225**
(58) **Field of Classification Search**
USPC ... D14/225, 226, 191, 194, 197, 137, 138 R, D14/356, 496, 240; D16/202; D3/215, D3/218; D10/106.1, 104.1; 24/3.11; 455/100, 128, 90.3, 575.1, 569.1
CPC ... H04R 1/02; H04R 9/08; H04R 3/00; H04R 25/00
See application file for complete search history.

D263,709 S * 4/1982 Ando D14/155
D264,080 S * 4/1982 Iwata D14/191
4,325,142 A * 4/1982 Nakazawa H04B 1/385
455/346
D272,244 S * 1/1984 Scheid D14/191
D273,786 S * 5/1984 Owerko D13/168
4,491,970 A * 1/1985 Lawwhite H04B 1/0343
455/100
D277,465 S * 2/1985 MacDonald D10/106.1
D278,905 S * 5/1985 Scheid D14/191
D280,494 S * 9/1985 Abel D10/106.1
D281,975 S * 12/1985 Oyamada D14/191
D285,542 S * 9/1986 Tanaka D10/106.1
D290,608 S * 6/1987 Fisher D14/191
D293,088 S * 12/1987 Brown D10/106.1

(Continued)

FOREIGN PATENT DOCUMENTS

CN 305812816 * 5/2020
Primary Examiner — Paula Allen Greene
(74) *Attorney, Agent, or Firm* — ZANIP

(57) **CLAIM**

The ornamental design for a wireless microphone, as shown and described.

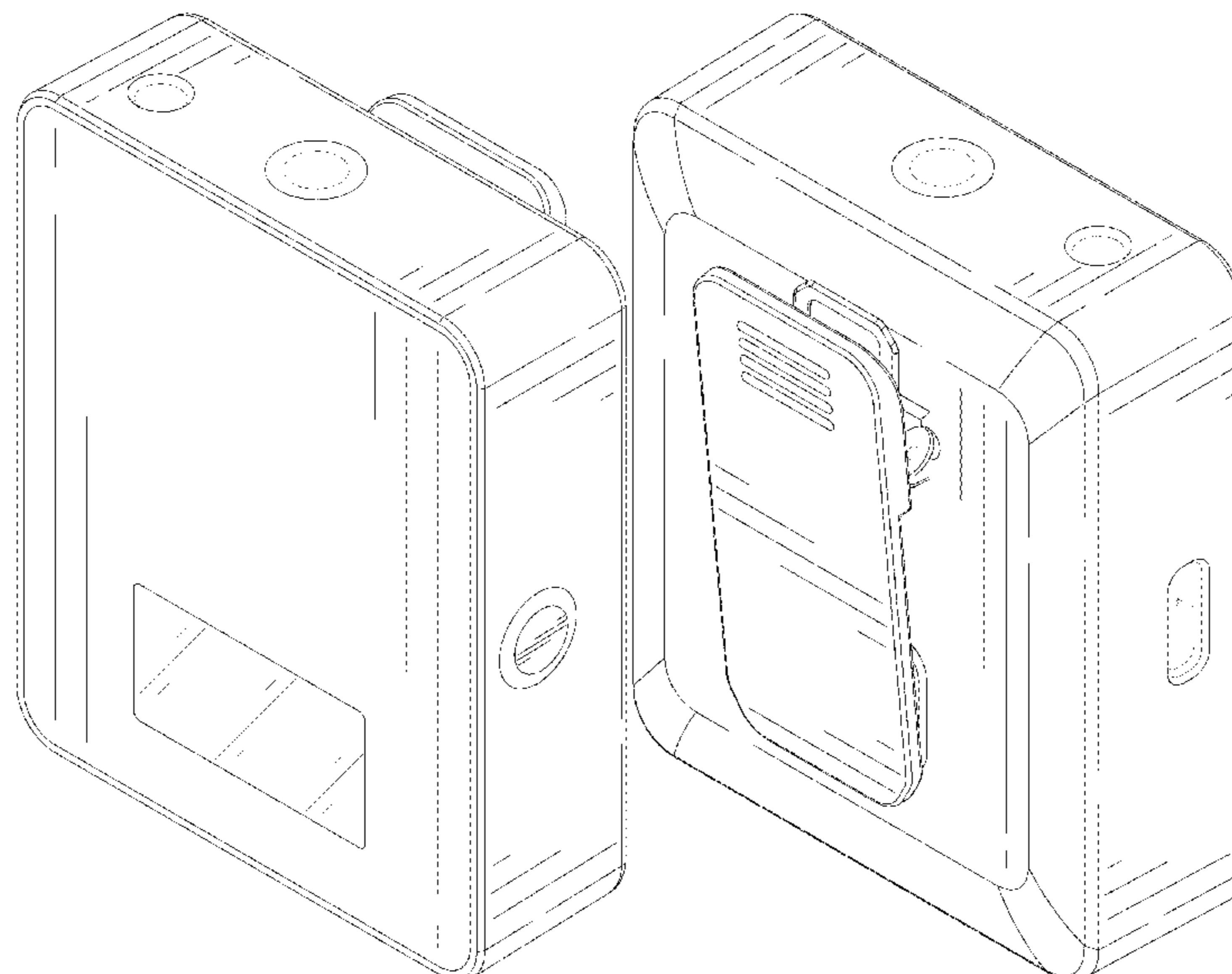
DESCRIPTION

FIG. 1 is a front and top perspective view of a wireless microphone, showing my new design;
FIG. 2 is a rear and top perspective view thereof;
FIG. 3 is a front elevational view thereof;
FIG. 4 is a rear elevational view thereof;
FIG. 5 is a left side elevational view thereof;
FIG. 6 is a right side elevational view thereof;
FIG. 7 is a top plan view thereof; and,
FIG. 8 is a bottom plan view thereof.
The broken lines in the figures illustrate portions of the claimed design that are for illustrative purposes only; the broken lines form no part of the claimed design.

1 Claim, 8 Drawing Sheets

(56) **References Cited**
U.S. PATENT DOCUMENTS

2,492,864 A * 12/1949 Hermani B65D 43/164
206/540
3,631,994 A * 1/1972 Mackzum, Jr. A45F 5/02
224/669
D223,835 S * 6/1972 Schmidt D14/191
3,693,089 A * 9/1972 Hutchinson G08B 3/1058
455/351
4,057,794 A * 11/1977 Grossfield G08B 21/04
340/7.5
4,083,481 A * 4/1978 Selinko A45F 5/02
224/269
D248,759 S * 8/1978 Eckmann D10/106.1
4,111,343 A * 9/1978 Selinko A44B 99/00
224/670
D255,446 S * 6/1980 Iwata D14/192



(56)

References Cited

U.S. PATENT DOCUMENTS

D294,830 S * 3/1988 Umehara D10/104.1
 D297,518 S * 9/1988 Yuen D10/106.1
 4,828,153 A * 5/1989 Guzik A45F 5/02
 224/242
 D303,638 S * 9/1989 Andrews, Sr. D10/106.1
 D304,191 S * 10/1989 Sekine D14/192
 4,876,537 A * 10/1989 Oyamada G02F 1/1336
 340/7.63
 D306,853 S * 3/1990 Mayo D13/165
 5,089,808 A * 2/1992 Amirdash G08B 21/02
 340/573.7
 D339,349 S * 9/1993 Hayasaka D14/188
 D358,558 S * 5/1995 Isomura D10/65
 D370,014 S * 5/1996 Braxton D14/191
 D370,671 S * 6/1996 Lam D14/138 R
 D383,747 S * 9/1997 Richards D14/138 AA
 D398,304 S * 9/1998 Murray D14/137
 5,859,594 A * 1/1999 King G08B 5/225
 340/7.43
 D412,705 S * 8/1999 Laiacona D14/172
 D441,744 S * 5/2001 Miyazaki D14/137
 D496,030 S * 9/2004 Harbeke D14/225
 D503,642 S * 4/2005 Hutchison D10/78

D532,785 S * 11/2006 Lo D14/363
 D539,777 S * 4/2007 Pena Angarita D14/138 R
 D540,774 S * 4/2007 Alwicker D14/155
 D548,195 S * 8/2007 Poulet D13/168
 D554,616 S * 11/2007 Pierce D14/191
 D558,742 S * 1/2008 Koller D14/225
 D568,877 S * 5/2008 Bodley D14/225
 D577,713 S * 9/2008 Kim D14/218
 D577,715 S * 9/2008 Lim D14/240
 D581,943 S * 12/2008 Pedersen D14/150
 D583,806 S * 12/2008 Okazaki D14/225
 D602,006 S * 10/2009 Kim D14/223
 D604,723 S * 11/2009 Bodley D14/225
 D618,676 S * 6/2010 Hui D14/300
 D673,554 S * 1/2013 Simmer D14/250
 D695,806 S * 12/2013 Konishi D16/202
 D696,225 S * 12/2013 Osada D14/167
 D705,748 S * 5/2014 He D14/155
 D707,651 S * 6/2014 Tsai D14/191
 D719,130 S * 12/2014 Crane D14/195
 D729,762 S * 5/2015 Hu D14/194
 D758,366 S * 6/2016 Peng D14/363
 D800,086 S * 10/2017 Scherr D14/154
 D803,193 S * 11/2017 Meinertz D14/225
 D848,984 S 5/2019 Ohashi

* cited by examiner

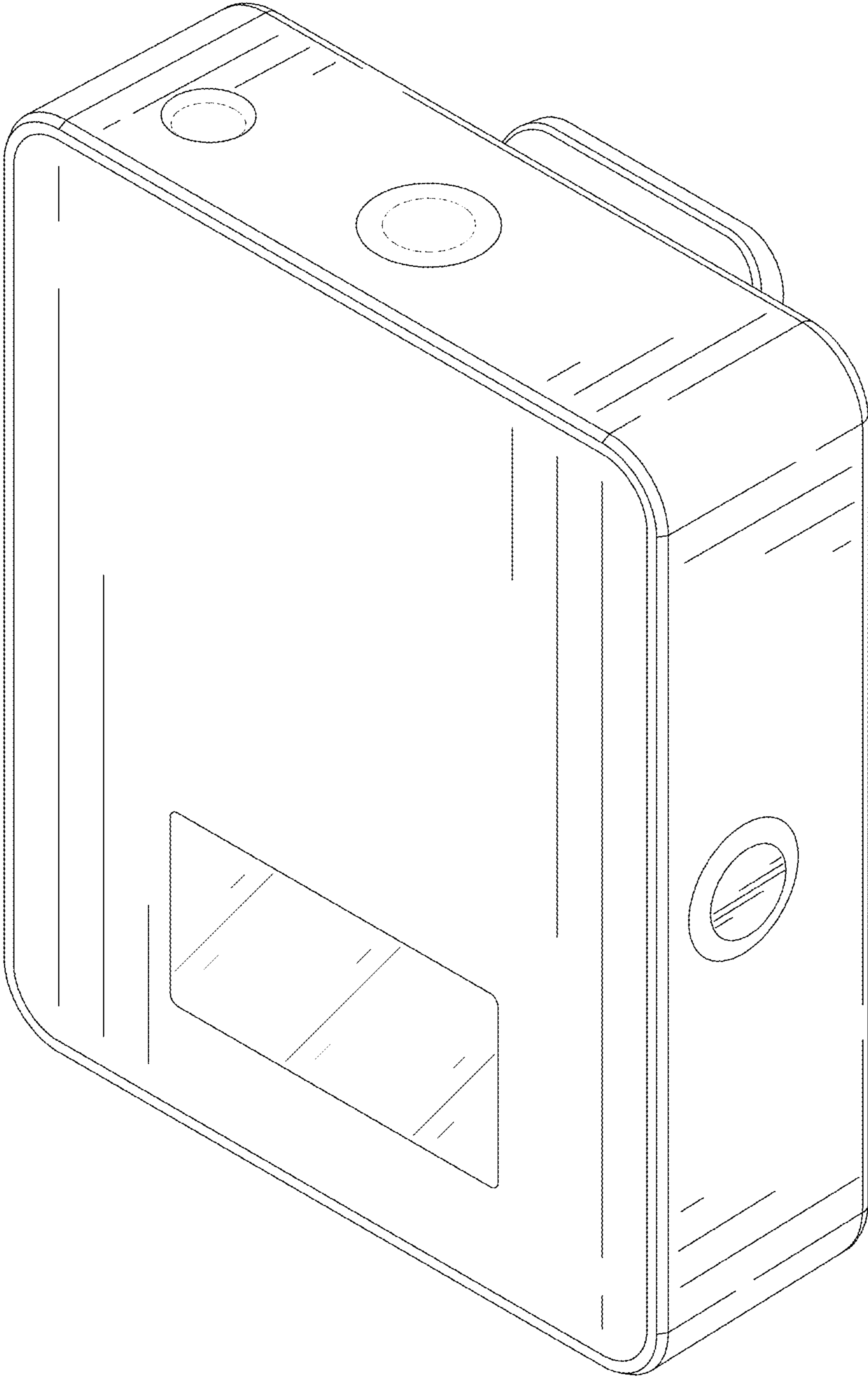


FIG. 1

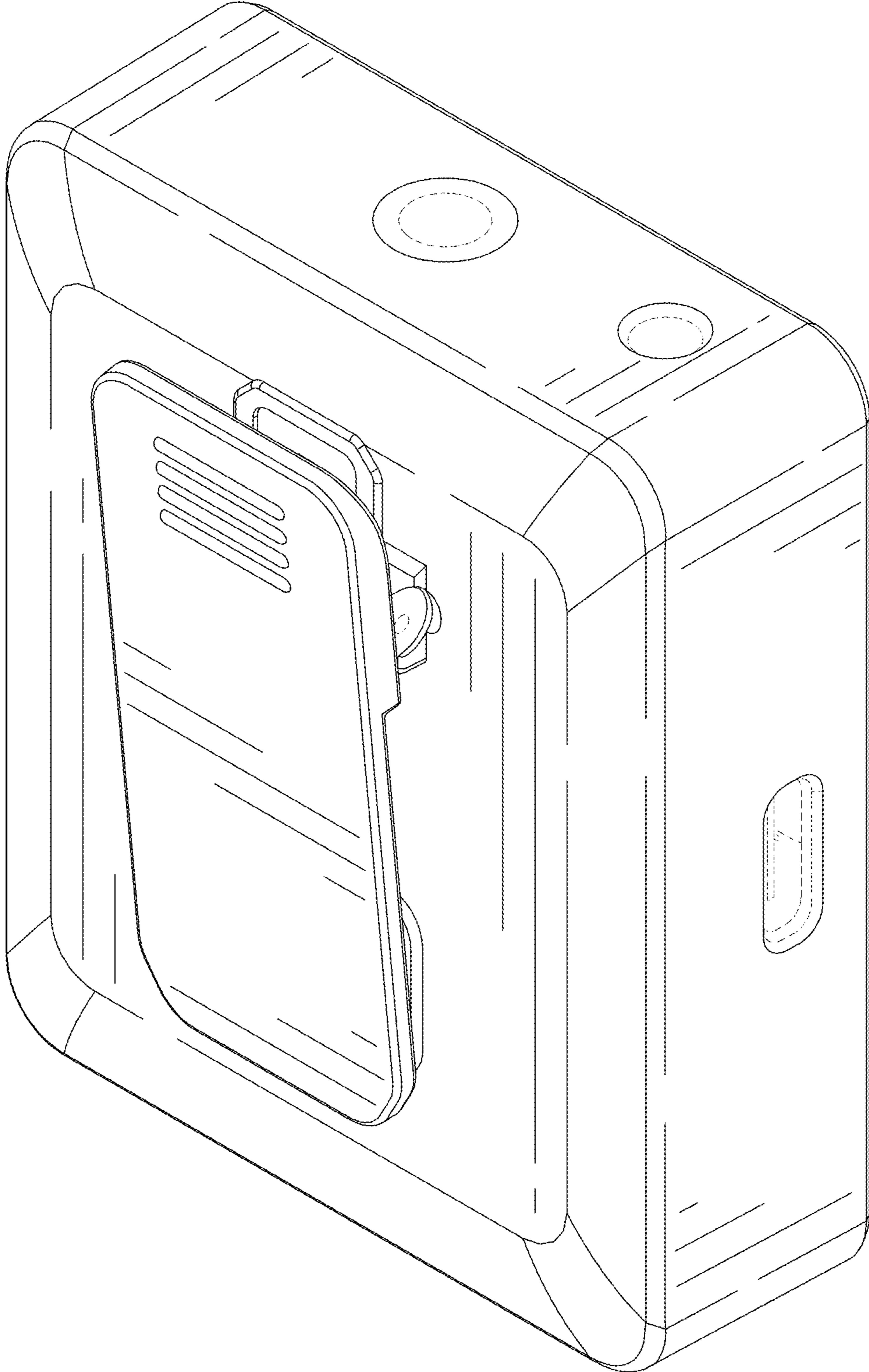


FIG. 2

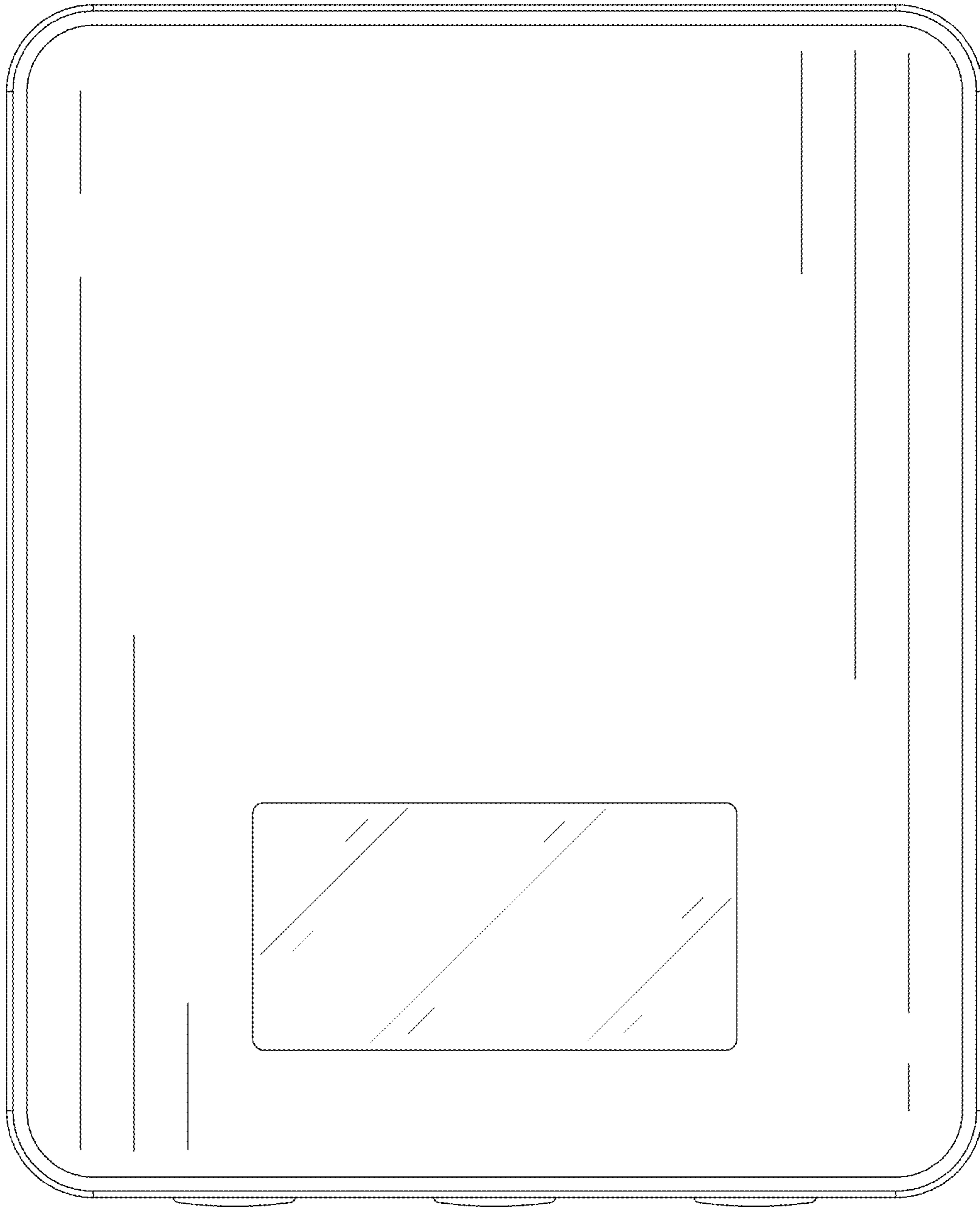


FIG. 3

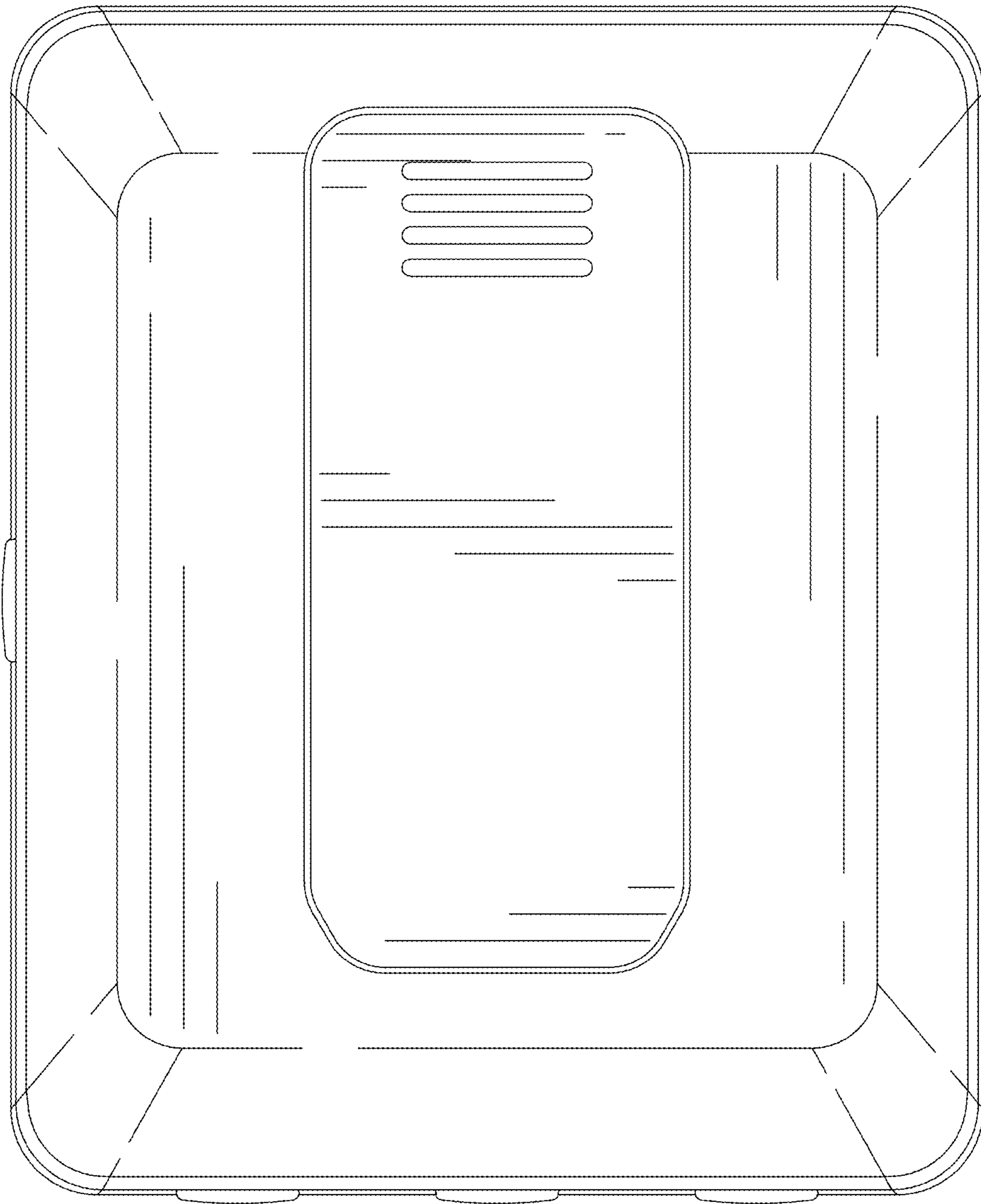


FIG. 4

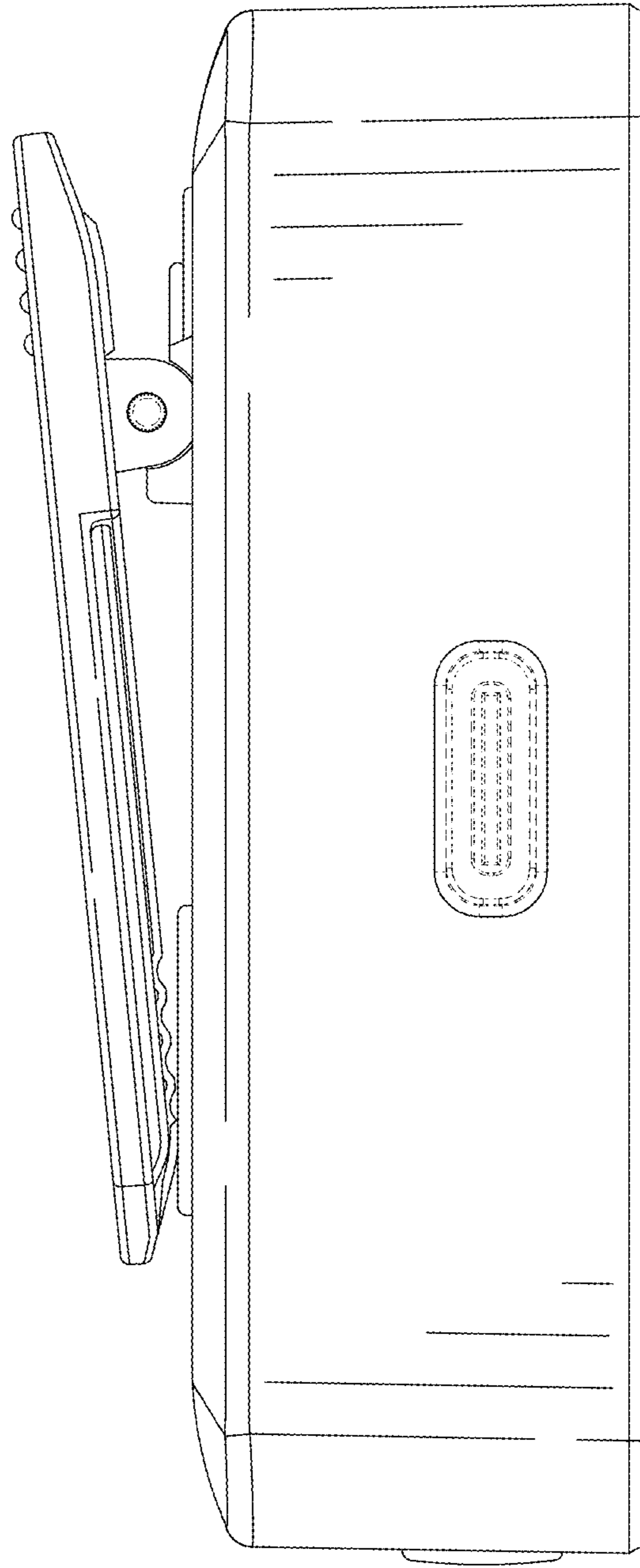


FIG. 5

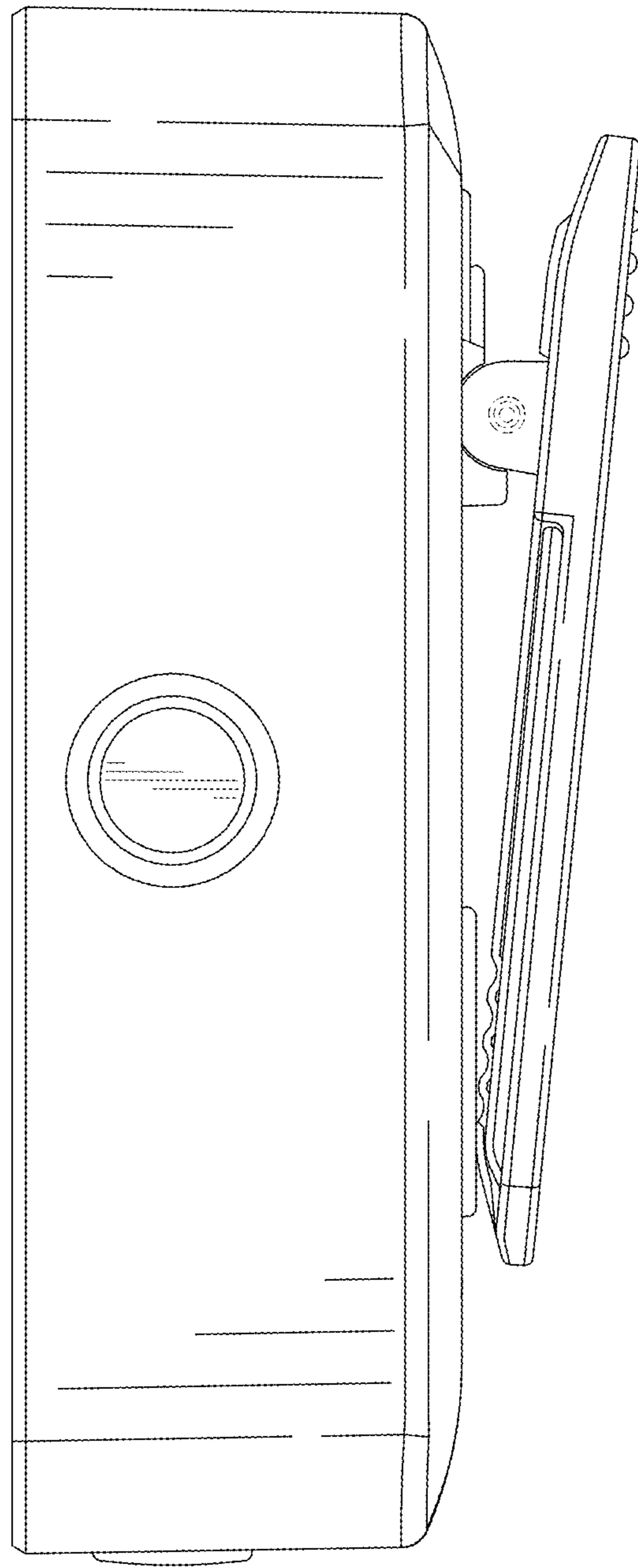


FIG. 6

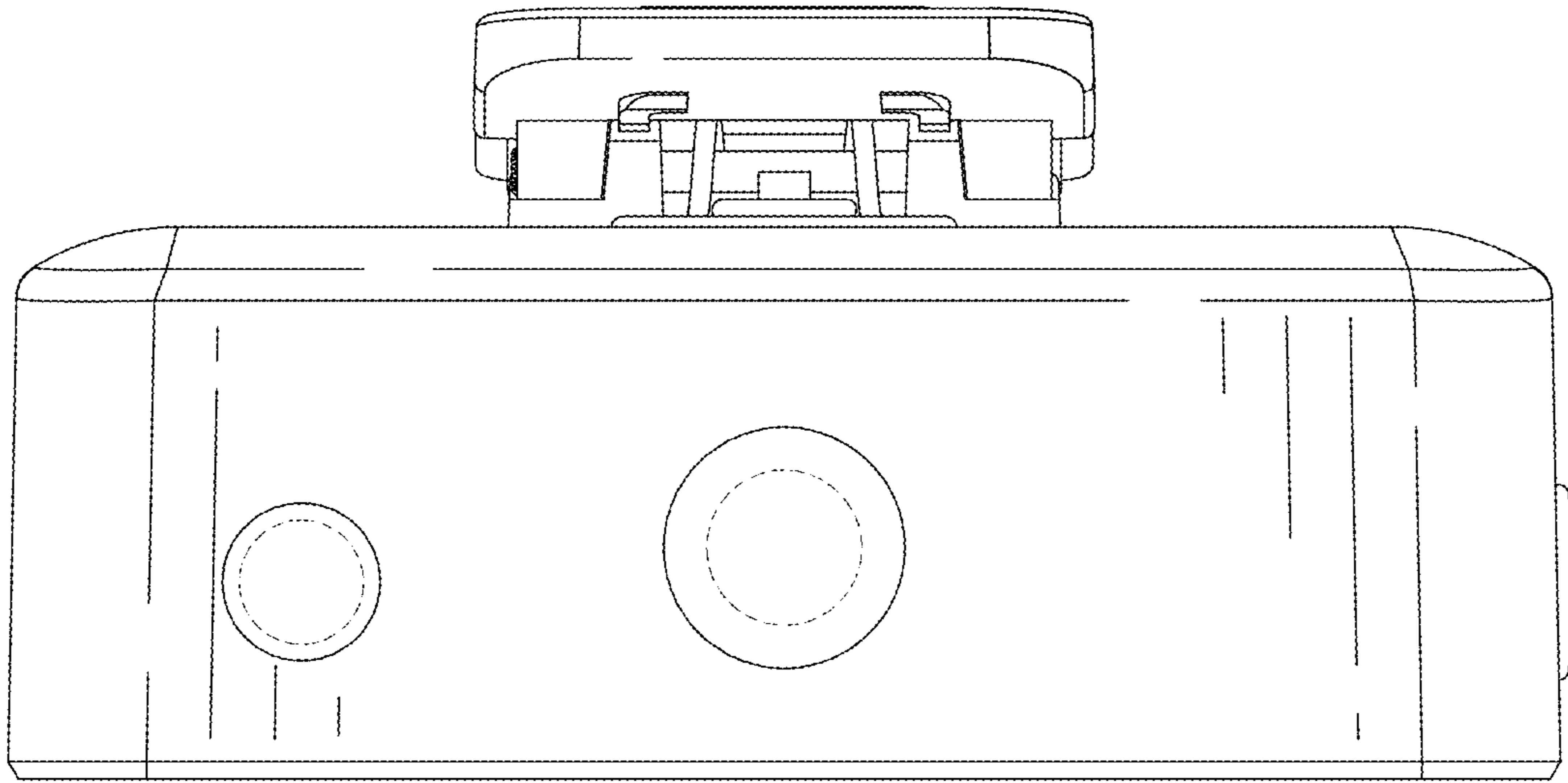


FIG. 7

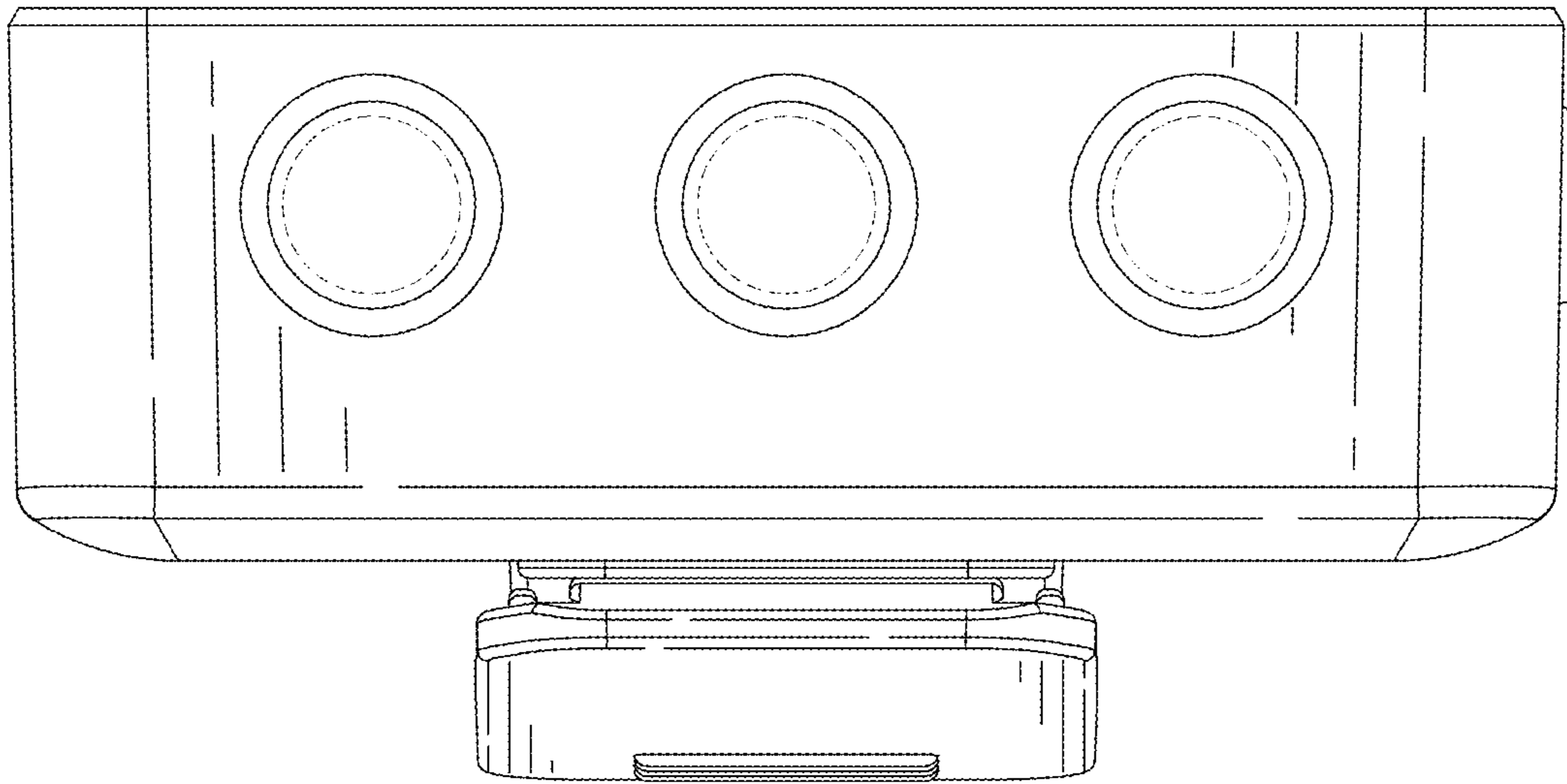


FIG. 8